



## *eZ80190 Development Kit*

### **User Manual**

PRELIMINARY

UM014103-0803

ZiLOG Worldwide Headquarters • 532 Race Street • San Jose, CA 95126  
Telephone: 408.558.8500 • Fax: 408.558.8300 • [www.ZiLOG.com](http://www.ZiLOG.com)

## eZ80190 Development Kit User Manual



This publication is subject to replacement by a later edition. To determine whether a later edition exists, or to request copies of publications, contact:

### **ZiLOG Worldwide Headquarters**

532 Race Street  
San Jose, CA 95126  
Telephone: 408.558.8500  
Fax: 408.558.8300  
[www.zilog.com](http://www.zilog.com)

### **Document Disclaimer**

ZiLOG is a registered trademark of ZiLOG Inc. in the United States and in other countries. All other products and/or service names mentioned herein may be trademarks of the companies with which they are associated.

©2003 by ZiLOG, Inc. All rights reserved. Information in this publication concerning the devices, applications, or technology described is intended to suggest possible uses and may be superseded. ZiLOG, INC. DOES NOT ASSUME LIABILITY FOR OR PROVIDE A REPRESENTATION OF ACCURACY OF THE INFORMATION, DEVICES, OR TECHNOLOGY DESCRIBED IN THIS DOCUMENT. ZiLOG ALSO DOES NOT ASSUME LIABILITY FOR INTELLECTUAL PROPERTY INFRINGEMENT RELATED IN ANY MANNER TO USE OF INFORMATION, DEVICES, OR TECHNOLOGY DESCRIBED HEREIN OR OTHERWISE. Except with the express written approval of ZiLOG, use of information, devices, or technology as critical components of life support systems is not authorized. No licenses are conveyed, implicitly or otherwise, by this document under any intellectual property rights.



# *Safeguards*

The following precautions must be observed when working with the devices described in this document.



**Caution:** Always use a grounding strap to prevent damage resulting from electrostatic discharge (ESD).

**eZ80190 Development Kit  
User Manual**



**iv**



# Table of Contents

Safeguards .....	iii
List of Figures .....	ix
List of Tables .....	xi
Introduction .....	1
Kit Features .....	1
Hardware Specifications .....	2
eZ80 <sup>®</sup> Development Platform Overview .....	2
eZ80 <sup>®</sup> Development Platform .....	7
Functional Description .....	7
Physical Dimensions .....	9
Operational Description .....	10
eZ80190 Module Interface .....	10
Application Module Interface .....	20
I/O Functionality .....	23
Embedded Modem Socket Interface .....	28
eZ80 <sup>®</sup> Development Platform Memory .....	31
LEDs .....	33
Push Buttons .....	33
Jumpers .....	34
Connectors .....	40
Console .....	41
Modem .....	41
I <sup>2</sup> C Devices .....	41
DC Characteristics .....	41
eZ80190 Module .....	44
Functional Description .....	44
Physical Dimensions .....	44
Operational Description .....	47

**eZ80190 Development Kit  
User Manual**



vi

Ethernet Media Access Controller .....	48
eZ80190 Module Memory .....	50
Reset Generator .....	50
Real Time Clock .....	51
I <sup>2</sup> C Bus Software Emulation .....	51
DC Characteristics .....	51
Flash Loader Utility .....	52
Mounting the Module .....	52
Changing the Power Supply Plug .....	52
ZPAKII .....	54
ZDI Target Interface Module .....	54
JTAG .....	54
Application Modules .....	54
ZPAKII .....	55
ZDS II .....	56
ZDS II .....	56
Troubleshooting .....	57
Overview .....	57
Cannot Download Code .....	57
No Output on Console Port .....	57
IrDA Port Not Working .....	58
Difference Between EMAC and IP Address .....	58
Media Access Control (MAC) .....	58
IP Address .....	59
Contacting ZiLOG Customer Support .....	60
Schematic Diagrams .....	61
eZ80 <sup>®</sup> Development Platform .....	61
eZ80190 Module .....	66
Appendix A .....	74
General Array Logic Equations .....	74
U10 Address Decoder .....	74



U15 Address Decoder .....	77
Customer Feedback Form .....	82

**eZ80190 Development Kit  
User Manual**



viii





# List of Figures

Figure 1.	eZ80 <sup>®</sup> Development Platform Block Diagram with eZ80190 Module . . . . .	4
Figure 2.	The eZ80 <sup>®</sup> Development Platform . . . . .	5
Figure 3.	The eZ80190 Module . . . . .	6
Figure 4.	Basic eZ80 <sup>®</sup> Development Platform Block Diagram . . . . .	8
Figure 5.	Physical Dimensions of the eZ80 <sup>®</sup> Development Platform . . . . .	9
Figure 6.	eZ80 <sup>®</sup> Development Platform Peripheral Bus Connector Pin Configuration—JP1 . . . . .	11
Figure 7.	eZ80 <sup>®</sup> Development Platform I/O Connector Pin Configuration—JP2 . . . . .	16
Figure 8.	Trigger Pins J21 and J22 . . . . .	28
Figure 9.	Embedded Modem Socket Interface—J1, J5, and J9 . . . . .	29
Figure 10.	Memory Map of the eZ80 <sup>®</sup> Development Platform and eZ80190 Module . . . . .	32
Figure 11.	Physical Dimensions of the eZ80190 Module . . . . .	45
Figure 12.	eZ80190 Module—Top Layer . . . . .	46
Figure 13.	eZ80190 Module—Bottom Layer . . . . .	47
Figure 14.	9VDC Universal Power Supply Components . . . . .	52
Figure 15.	Inserting a New Plug Configuration . . . . .	53
Figure 16.	eZ80 <sup>®</sup> Development Platform Schematic Diagram, #1 of 5 . . . . .	61
Figure 17.	eZ80 <sup>®</sup> Development Platform Schematic Diagram, #2 of 5 . . . . .	62
Figure 18.	eZ80 <sup>®</sup> Development Platform Schematic Diagram, #3 of 5 . . . . .	63
Figure 19.	eZ80 <sup>®</sup> Development Platform Schematic Diagram, #4 of 5 . . . . .	64



Figure 20.	eZ80 <sup>®</sup> Development Platform Schematic Diagram, #5 of 5—RS-485 Cable . . . . .	65
Figure 21.	eZ80190 Module Schematic Diagram, #1 of 8—CPU . . .	66
Figure 22.	eZ80190 Module Schematic Diagram, #2 of 8— 36-Pin SRAM Device . . . . .	67
Figure 23.	eZ80190 Module Schematic Diagram, #3 of 8— NOR Flash Device . . . . .	68
Figure 24.	eZ80190 Module Schematic Diagram, #4 of 8— Ethernet Module . . . . .	69
Figure 25.	eZ80190 Module Schematic Diagram, #5 of 8— Ethernet Module Logic . . . . .	70
Figure 26.	eZ80190 Module Schematic Diagram, #6 of 8— Ethernet Module Peripherals . . . . .	71
Figure 27.	eZ80190 Module Schematic Diagram, #7 of 8—Headers .	72
Figure 28.	eZ80190 Module Schematic Diagram, #8 of 8— Power Supply . . . . .	73



# List of Tables

Table 1.	eZ80 <sup>®</sup> Development Platform Hardware Specifications . . .	2
Table 2.	eZ80 <sup>®</sup> Development Platform Peripheral Bus Connector Identification—JP11 . . . . .	12
Table 3.	eZ80 <sup>®</sup> Development Platform I/O Connector Identification—JP21 . . . . .	17
Table 4.	GPIO Port Connector J6 . . . . .	21
Table 5.	CPU Bus Connector J8 . . . . .	23
Table 6.	LED and Port Emulation Addresses . . . . .	24
Table 7.	LED Anode/General-Purpose Port Output Control Register . . . . .	24
Table 8.	General-Purpose Port Data Register . . . . .	25
Table 9.	Bit Access to the LED Cathode, Modem, and Triggers . .	26
Table 10.	Connector J5 . . . . .	29
Table 11.	Connector J9 . . . . .	29
Table 12.	Connector J1 . . . . .	30
Table 13.	J3—DIS_EM . . . . .	35
Table 14.	J7—FlashWE . . . . .	35
Table 15.	J11—DIS_FL . . . . .	36
Table 16.	J12—5VDC/3.3VDC for an Embedded Modem . . . . .	36
Table 17.	J14—RI . . . . .	37
Table 18.	J15—RS485_1_EN . . . . .	37
Table 19.	J16—RS485_2_EN . . . . .	38
Table 20.	J17—RT_1 . . . . .	38
Table 21.	J18—RT_2 . . . . .	39
Table 22.	J19—EX_SEL . . . . .	39
Table 23.	J20—EX_FL_DIS . . . . .	40

**eZ80190 Development Kit  
User Manual**



**xii**

Table 24.	I <sup>2</sup> C Addresses .....	41
Table 25.	DC Current Characteristics of the eZ80 <sup>®</sup> Development Platform with Different Module Loads .....	42
Table 26.	Ethernet Connector Pin Assignments .....	48



# *Introduction*

The eZ80190 Development Kit provides a general-purpose platform for evaluating the capabilities and operation of ZiLOG's eZ80190 microprocessor. The eZ80F91 Development Kit features two primary boards: the eZ80<sup>®</sup> Development Platform and the eZ80190 Module. This arrangement provides a full development platform when using both boards. It can also provide a smaller-sized reference platform with the eZ80190 Module as a stand-alone development tool.

## **Kit Features**

The key features of the eZ80190 Development Kit are:

- eZ80<sup>®</sup> Development Platform:
  - Up to 2MB fast SRAM (12ns access time)
  - Embedded Modem Socket with a U.S. Telephone Line Interface
  - I<sup>2</sup>C EEPROM
  - I<sup>2</sup>C Configuration Register
  - GPIO Port and Memory Headers
  - LEDs, including a 7x5 LED matrix
  - Jumpers
  - Two RS232 connectors—Console, Modem
  - 9VDC Power Connector
  - RS485 connector<sup>1</sup>
  - JTAG Debug Interface<sup>1</sup>
  - ZiLOG Debug Interface (ZDI)
  - ZiLOG Developer Studio II and the eZ80<sup>®</sup> C-Compiler

---

1. The eZ80<sup>®</sup> Development Platform's RS485 and JTAG functions are not supported on the eZ80190 device.



- eZ80190 Module:
  - eZ80190 device operating at 50MHz
  - 1MB Flash Memory
  - 512KB SRAM
  - 10BaseT Ethernet Interface
  - Real-Time Clock with Battery Back-Up
- ZPAKII Debug Interface Tool
- 4-port 10BaseT Ethernet hub
- eZ80<sup>®</sup> Software and Documentation CD-ROM

## Hardware Specifications

Table 1 lists the specifications of the eZ80<sup>®</sup> Development Platform.

**Table 1. eZ80<sup>®</sup> Development Platform  
Hardware Specifications**

Operating Temperature:	20°C ±5°C
Operating Voltage:	9 VDC

## eZ80<sup>®</sup> Development Platform Overview

The purpose of the eZ80190 Development Kit is to provide the developer with a set of tools for evaluating the features of the eZ80<sup>®</sup> family of devices, and to be able to develop a new application before building application hardware. The eZ80<sup>®</sup> Development Platform is designed to accept a number of application-specific modules and eZ80<sup>®</sup>-based add-on modules, including the eZ80190 Module, which features an Ethernet MAC, a Real-Time Clock, and the eZ80190 microprocessor with a fast Multiply-Accumulate unit.



When attached to the eZ80<sup>®</sup> Development Platform, the eZ80190 Module can operate in stand-alone mode with Flash memory, or interface via the ZPAKII debug interface tool to a host PC running ZiLOG Developer Studio II Integrated Development Environment (ZDS IDE) software. If the user's eZ80<sup>®</sup> application demands Internet connectivity and/or a network connection, the eZ80190 microprocessor can serve web pages over a TCP/IP network, allowing easy system monitoring and control, and effortless processor code updates.

The address bus, data bus, and all eZ80190 Module control signals are buffered on the eZ80<sup>®</sup> Development Platform to provide sufficient drive capability.

A block diagram of the eZ80<sup>®</sup> Development Platform and the eZ80190 Module is shown in Figure 1.

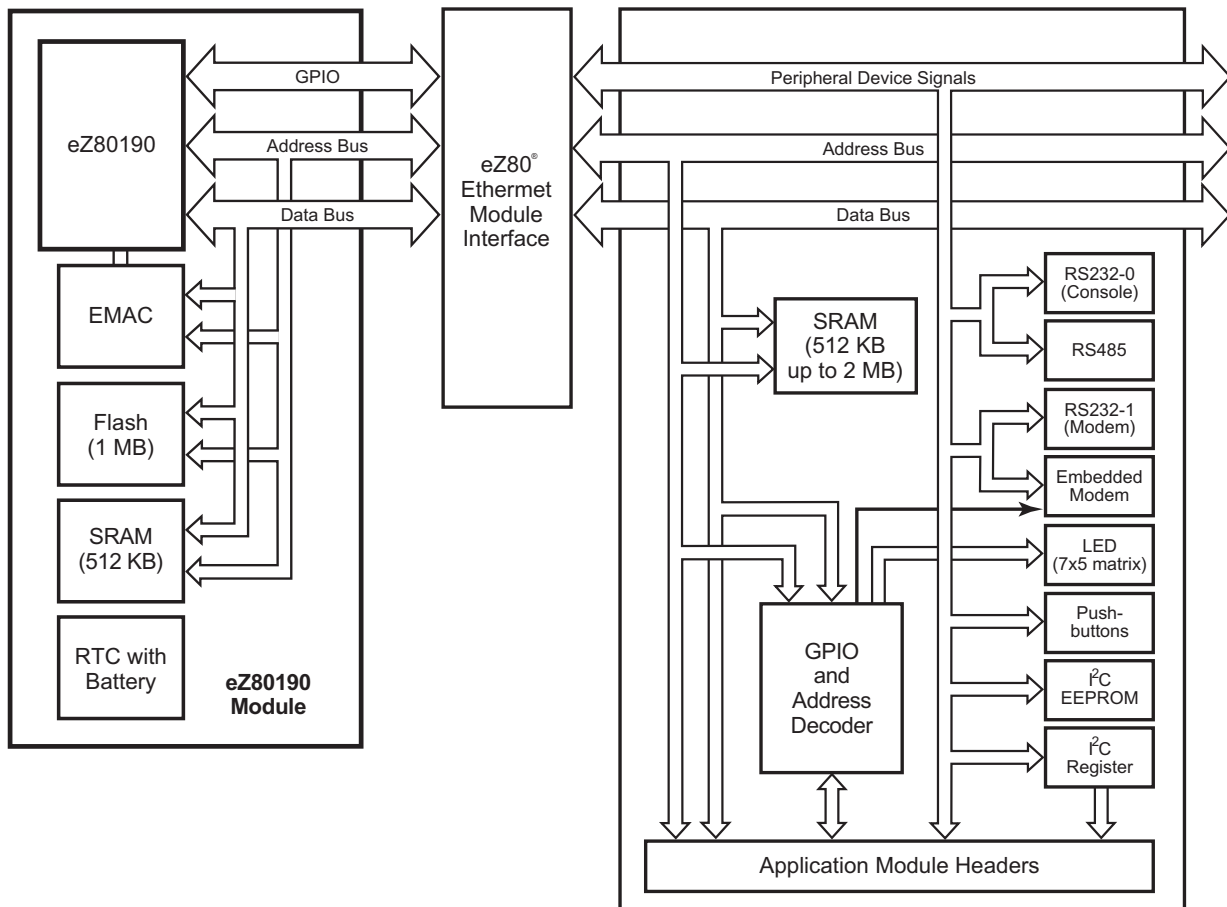
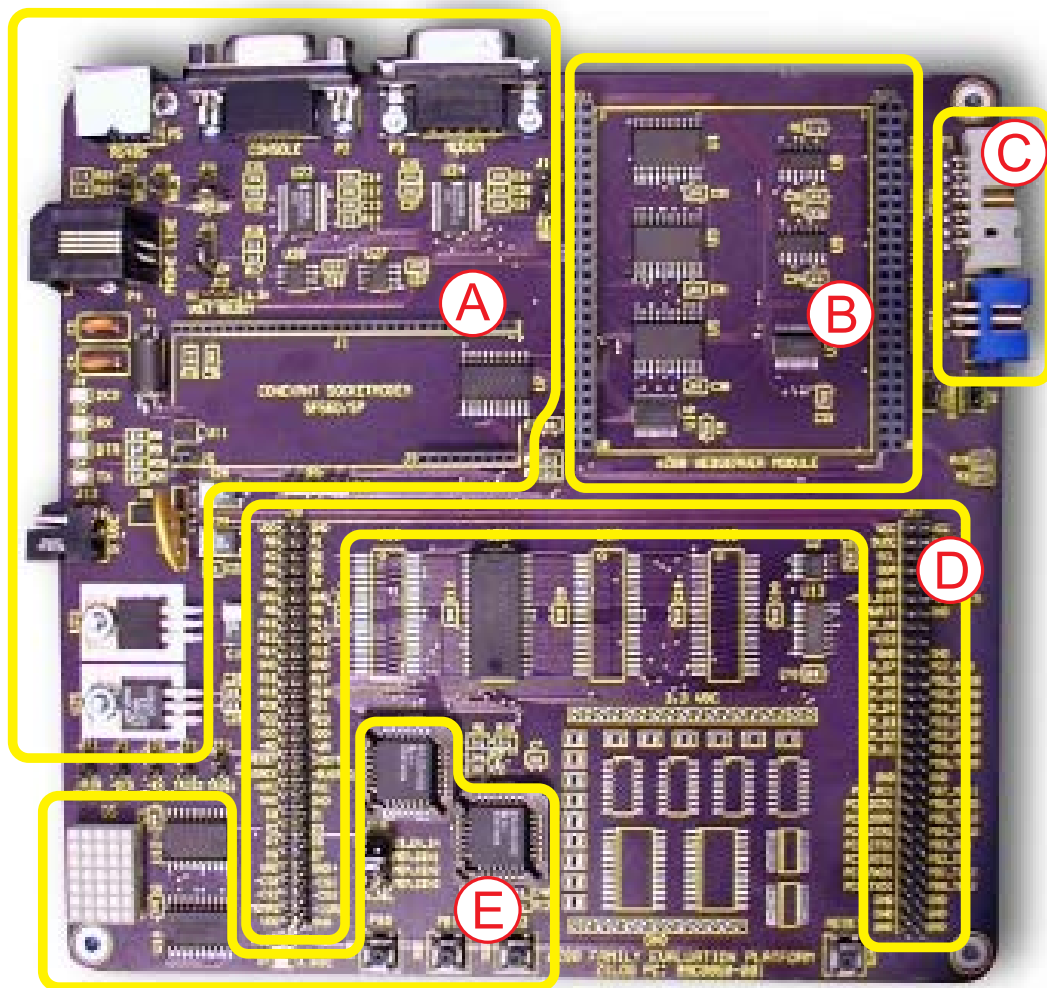


Figure 1. eZ80<sup>®</sup> Development Platform Block Diagram with eZ80190 Module



Figure 2 is a photographic representation of the eZ80<sup>®</sup> Development Platform segmented into its key blocks, as shown in the legend for the figure.



Key to blocks A–E:

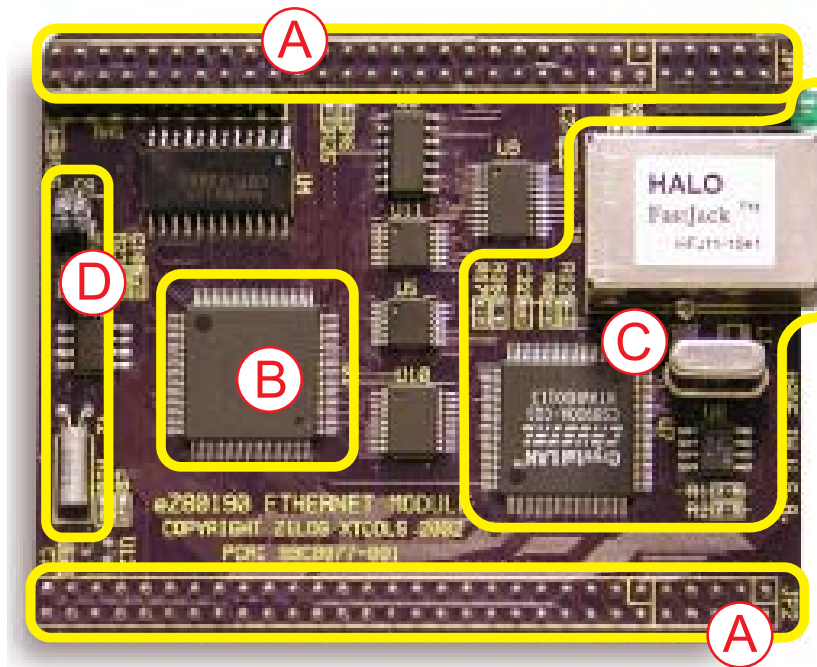
- A. Power and serial communications.
- B. eZ80190 Module interface.
- C. Debug interface.

- D. Application module interfaces.
- E. General-Purpose Port and LED with address decoder.

**Figure 2. The eZ80<sup>®</sup> Development Platform**



Figure 3 is a photographic representation of the eZ80190 Module segmented into its key blocks, as shown in the legend for the figure.



- Note: Key to blocks A–D.
- A. eZ80190 Module interfaces.
  - B. eZ80190 CPU.
  - C. 10/100BaseT Ethernet Interface
  - D. IrDA transceiver.

**Figure 3. The eZ80190 Module**

The structures of the eZ80<sup>®</sup> Development Platform and the eZ80190 Module are illustrated in the [Schematic Diagrams](#) starting on page 61.



# *eZ80<sup>®</sup> Development Platform*

This section describes the eZ80<sup>®</sup> Development Platform hardware, its key components and its interfaces, including detailed programmer interface information such as memory maps, register definitions, and interrupt usage.

## **Functional Description**

The eZ80<sup>®</sup> Development Platform consists of seven major hardware blocks. These blocks, listed below, are diagrammed in Figure 4.

- eZ80190 Module interface (2 male headers)
- Power supply for the eZ80<sup>®</sup> Development Platform, the eZ80190 Module, and application modules
- Application Module interface (2 female headers)
- General-Purpose Port and LED matrix
- RS232 serial communications ports
- Embedded modem interface
- I<sup>2</sup>C devices

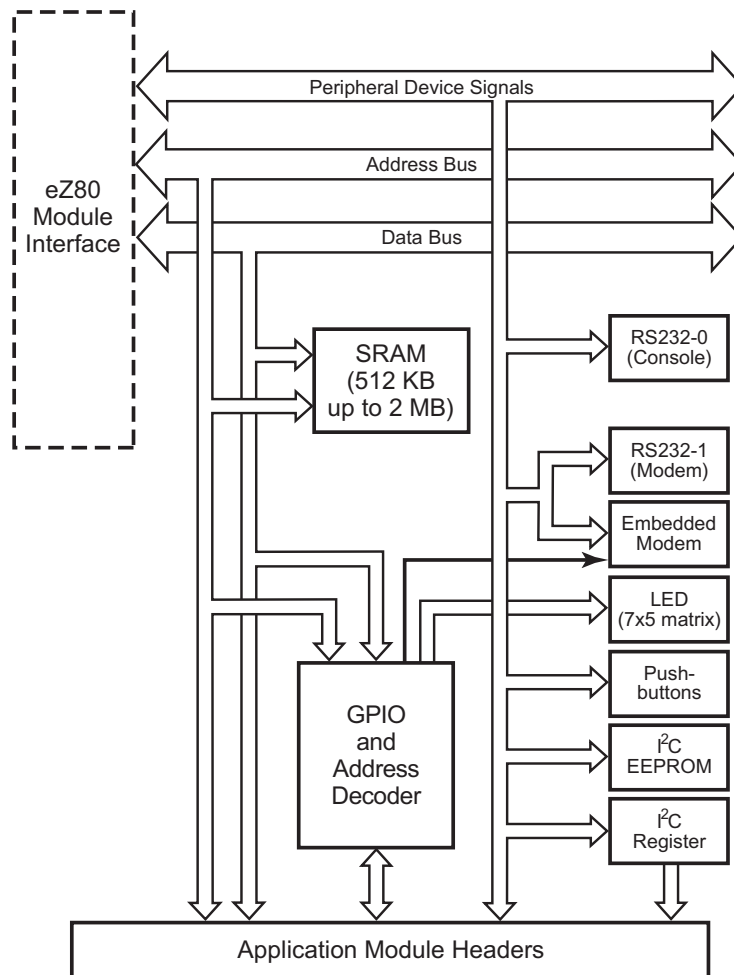


Figure 4. Basic eZ80<sup>®</sup> Development Platform Block Diagram



## Physical Dimensions

The dimensions of the eZ80<sup>®</sup> Development Platform PCB is 177.8mm x 182.9mm. The overall height is 38.1mm. See Figure 5.

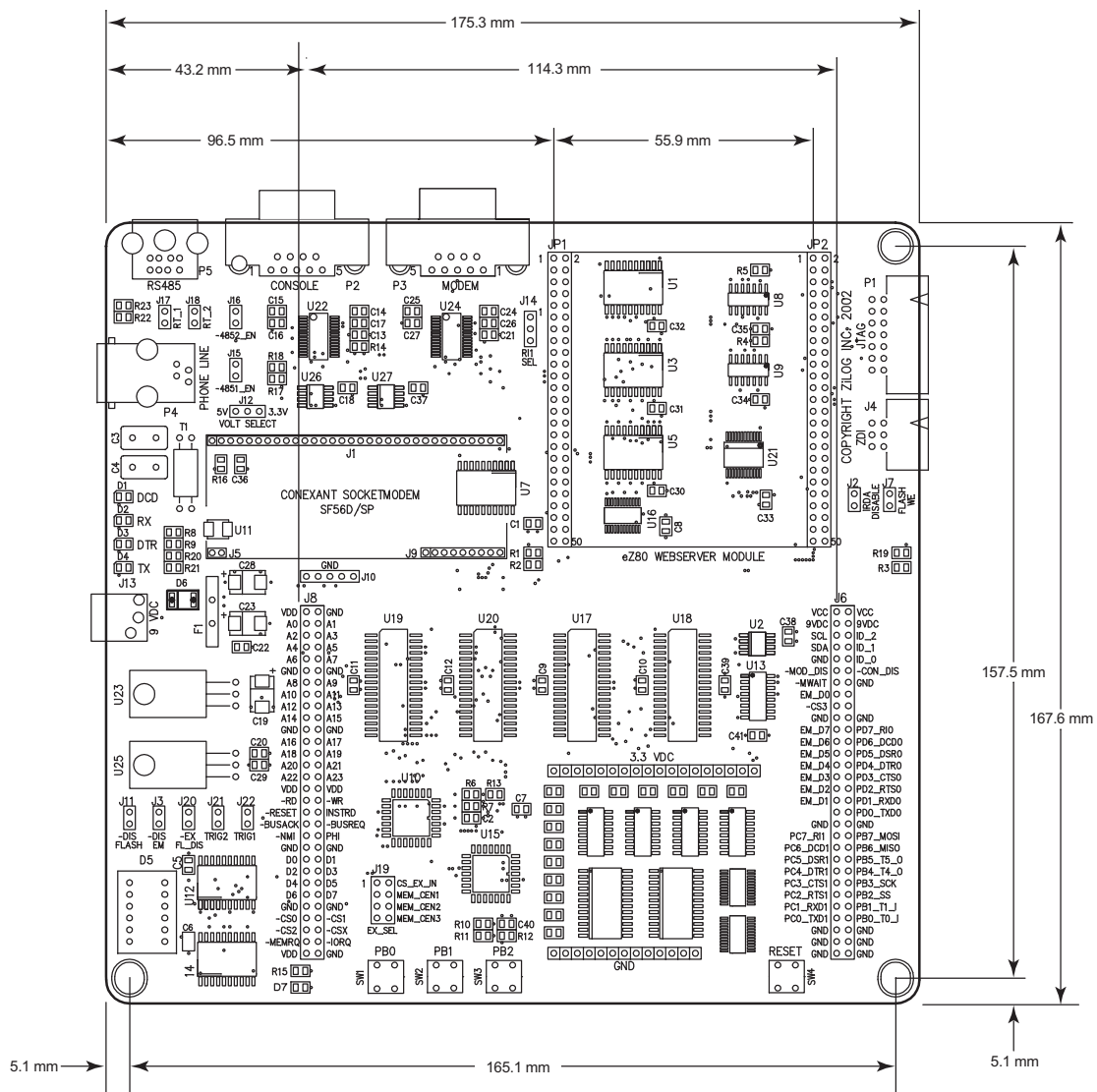


Figure 5. Physical Dimensions of the eZ80<sup>®</sup> Development Platform



## Operational Description

The eZ80<sup>®</sup> Development Platform can accept any eZ80<sup>®</sup>-core-based modules, provided that the module interfaces correctly to the eZ80<sup>®</sup> Development Platform. The purpose of the eZ80<sup>®</sup> Development Platform is to provide the application developer with a tool to evaluate the features of the eZ80190 device and to develop an application without building additional hardware.

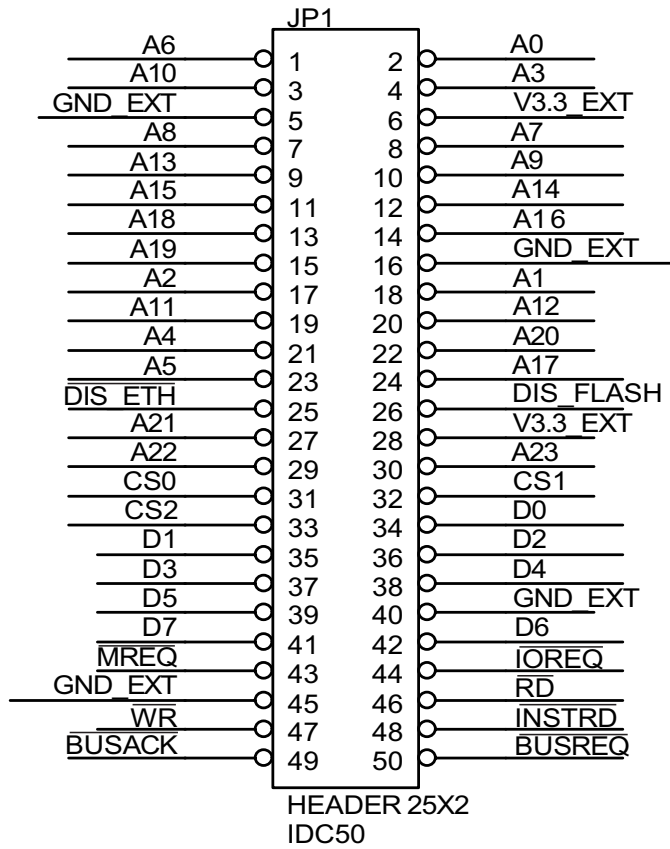
### eZ80190 Module Interface

The eZ80190 Module interface provides easy an connection for the eZ80190 Module. This interface is designed to fit future eZ80<sup>®</sup> modules and user-developed modules using current eZ80<sup>®</sup> devices.

The eZ80190 Module interface consists of two 50-pin receptacles, JP1 and JP2, which are described in the next pages.

#### Peripheral Bus Connector (JP1)

Figure 6 illustrates the pin layout of the Peripheral Bus Connector in the 50-pin header, located at position JP1 on the eZ80<sup>®</sup> Development Platform. Table 2 describes the pins and their functions.



**Figure 6. eZ80<sup>®</sup> Development Platform  
Peripheral Bus Connector Pin Configuration—JP1**



**Table 2. eZ80<sup>®</sup> Development Platform  
Peripheral Bus Connector Identification—JP1<sup>1</sup>**

Pin #	Symbol	Signal Direction	Active Level	eZ801900100ZCO Signal <sup>2</sup>
1	A6	Bidirectional		Yes
2	A0	Bidirectional		Yes
3	A10	Bidirectional		Yes
4	A3	Bidirectional		Yes
5	GND			
6	V <sub>DD</sub>			
7	A8	Bidirectional		Yes
8	A7	Bidirectional		Yes
9	A13	Bidirectional		Yes
10	A9	Bidirectional		Yes
11	A15	Bidirectional		Yes
12	A14	Bidirectional		Yes
13	A18	Bidirectional		Yes
14	A16	Bidirectional		Yes
15	A19	Bidirectional		Yes

Notes:

1. For the sake of simplicity in describing the interface, Power and Ground nets are omitted from this table. The entire interface is represented in the [eZ80190 Module Schematic Diagrams](#) on pages 66 through 73.

2. The Power and Ground nets are connected directly to the eZ801900100ZCO device.

Additional note: external capacitive loads on RD, WR, IORQ, MREQ, D0–D7 and A0–A23 should be below 10pF to satisfy the timing requirements for the eZ80<sup>®</sup> CPU. All unused inputs should be pulled to either V<sub>DD</sub> or GND, depending on their inactive levels to reduce power consumption and to reduce noise sensitivity. To prevent EMI, the EZ80CLK output can be deactivated via software in the eZ80F91's Peripheral Power-Down Register.





**Table 2. eZ80<sup>®</sup> Development Platform  
Peripheral Bus Connector Identification—JP1<sup>1</sup> (Continued)**

Pin #	Symbol	Signal Direction	Active Level	eZ801900100ZCO Signal <sup>2</sup>
16	GND			
17	A2	Bidirectional		Yes
18	A1	Bidirectional		Yes
19	A11	Bidirectional		Yes
20	A12	Bidirectional		Yes
21	A4	Bidirectional		Yes
22	A20	Bidirectional		Yes
23	A5	Bidirectional		Yes
24	A17	Bidirectional		Yes
25	$\overline{\text{DIS\_ETH}}$	Output	Low	No
26	$\overline{\text{DIS\_FLASH}}$	Output	Low	No
27	A21	Bidirectional		Yes
28	V <sub>DD</sub>			
29	A22	Bidirectional		Yes
30	A23	Bidirectional		Yes

Notes:

1. For the sake of simplicity in describing the interface, Power and Ground nets are omitted from this table. The entire interface is represented in the [eZ80190 Module Schematic Diagrams](#) on pages 66 through 73.
2. The Power and Ground nets are connected directly to the eZ801900100ZCO device.  
Additional note: external capacitive loads on RD, WR, IORQ, MREQ, D0–D7 and A0–A23 should be below 10pF to satisfy the timing requirements for the eZ80<sup>®</sup> CPU. All unused inputs should be pulled to either V<sub>DD</sub> or GND, depending on their inactive levels to reduce power consumption and to reduce noise sensitivity. To prevent EMI, the EZ80CLK output can be deactivated via software in the eZ80F91's Peripheral Power-Down Register.



**Table 2. eZ80<sup>®</sup> Development Platform  
Peripheral Bus Connector Identification—JP1<sup>1</sup> (Continued)**

Pin #	Symbol	Signal Direction	Active Level	eZ801900100ZCO Signal <sup>2</sup>
31	$\overline{\text{CS0}}$	Input	Low	Yes
32	$\overline{\text{CS1}}$	Input	Low	Yes
33	$\overline{\text{CS2}}$	Input	Low	Yes
34	D0	Bidirectional		Yes
35	D1	Bidirectional		Yes
36	D2	Bidirectional		No
37	D3	Bidirectional		Yes
38	D4	Bidirectional		Yes
39	D5	Bidirectional		Yes
40	GND			
41	D7	Bidirectional		Yes
42	D6	Bidirectional		Yes
43	$\overline{\text{MREQ}}$	Bidirectional	Low	Yes
44	$\overline{\text{IORQ}}$	Bidirectional	Low	Yes
45	GND			

Notes:

1. For the sake of simplicity in describing the interface, Power and Ground nets are omitted from this table. The entire interface is represented in the [eZ80190 Module Schematic Diagrams](#) on pages 66 through 73.

2. The Power and Ground nets are connected directly to the eZ801900100ZCO device.

Additional note: external capacitive loads on RD, WR, IORQ, MREQ, D0–D7 and A0–A23 should be below 10pF to satisfy the timing requirements for the eZ80<sup>®</sup> CPU. All unused inputs should be pulled to either V<sub>DD</sub> or GND, depending on their inactive levels to reduce power consumption and to reduce noise sensitivity. To prevent EMI, the EZ80CLK output can be deactivated via software in the eZ80F91's Peripheral Power-Down Register.



**Table 2. eZ80<sup>®</sup> Development Platform  
Peripheral Bus Connector Identification—JP1<sup>1</sup> (Continued)**

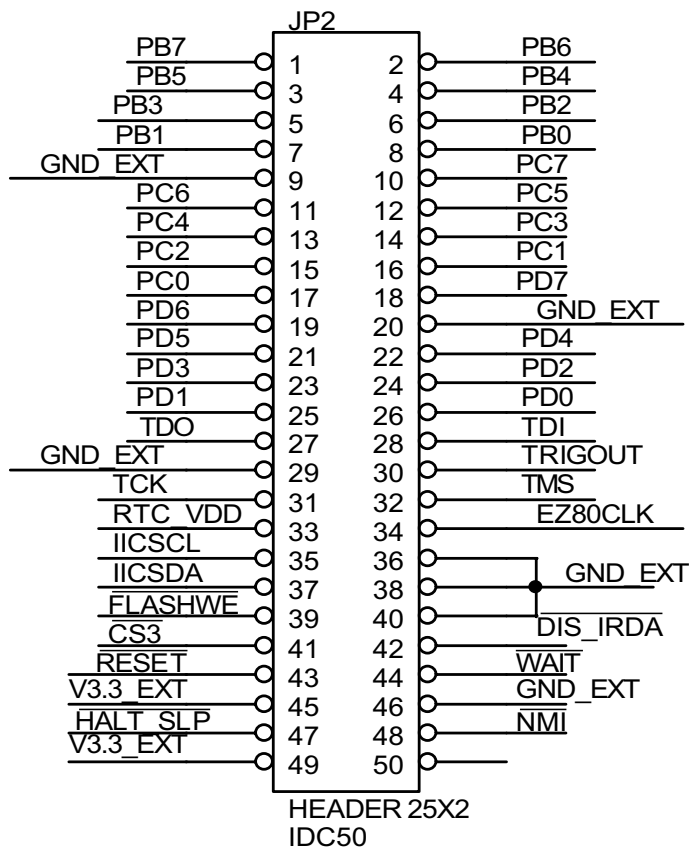
Pin #	Symbol	Signal Direction	Active Level	eZ801900100ZCO Signal <sup>2</sup>
46	$\overline{\text{RD}}$	Bidirectional	Low	Yes
47	$\overline{\text{WR}}$	Bidirectional	Low	Yes
48	$\overline{\text{INSTRD}}$	Input	Low	Yes
49	$\overline{\text{BUSACK}}$	Input	Pull-Up 10K $\Omega$ ; Low	Yes
50	$\overline{\text{BUSREQ}}$	Output	Pull-Up 10K $\Omega$ ; Low	Yes

Notes:

1. For the sake of simplicity in describing the interface, Power and Ground nets are omitted from this table. The entire interface is represented in the [eZ80190 Module Schematic Diagrams](#) on pages 66 through 73.
2. The Power and Ground nets are connected directly to the eZ801900100ZCO device.  
Additional note: external capacitive loads on RD, WR, IORQ, MREQ, D0–D7 and A0–A23 should be below 10pF to satisfy the timing requirements for the eZ80<sup>®</sup> CPU. All unused inputs should be pulled to either V<sub>DD</sub> or GND, depending on their inactive levels to reduce power consumption and to reduce noise sensitivity. To prevent EMI, the EZ80CLK output can be deactivated via software in the eZ80F91's Peripheral Power-Down Register.

### I/O Connector (JP2)

Figure 7 illustrates the pin layout of the eZ80<sup>®</sup> Development Platform's I/O Connector in the 50-pin header. The I/O Connector is located at position JP2 on the eZ80<sup>®</sup> Development Platform. Table 3 describes the pins and their functions.



**Figure 7. eZ80<sup>®</sup> Development Platform I/O Connector Pin Configuration—JP2**



**Table 3. eZ80<sup>®</sup> Development Platform  
I/O Connector Identification—JP2<sup>1</sup>**

Pin #	Symbol	Signal Direction	Active Level	eZ80F91 Signal <sup>2</sup>
1	PB7	Bidirectional		Yes
2	PB6	Bidirectional		Yes
3	PB5	Bidirectional		Yes
4	PB4	Bidirectional		Yes
5	PB3	Bidirectional		Yes
6	PB2	Bidirectional		Yes
7	PB1	Bidirectional		Yes
8	PB0	Bidirectional		Yes
9	GND			
10	PC7	Bidirectional		Yes
11	PC6	Bidirectional		Yes
12	PC5	Bidirectional		Yes
13	PC4	Bidirectional		Yes
14	PC3	Bidirectional		Yes
15	PC2	Bidirectional		Yes
16	PC1	Bidirectional		Yes
17	PC0	Bidirectional		Yes
18	PD7	Bidirectional		Yes

Notes:

1. For the sake of simplicity in describing the interface, Power and Ground nets are omitted from this table. The entire interface is represented in the [eZ80190 Module Schematic Diagrams](#) on pages 66 through 73.
2. The Power and Ground nets are connected directly to the eZ80F91 device.



**Table 3. eZ80<sup>®</sup> Development Platform  
I/O Connector Identification—JP2<sup>1</sup> (Continued)**

Pin #	Symbol	Signal Direction	Active Level	eZ80F91 Signal <sup>2</sup>
19	PD6	Bidirectional		
20	GND			
21	PD5	Bidirectional		Yes
22	PD4	Bidirectional		Yes
23	PD3	Bidirectional		Yes
24	PD2	Bidirectional		Yes
25	PD1	Bidirectional		Yes
26	PD0	Bidirectional		Yes
27	TDO	Input		Yes
28	TDI/ZDA	Output		Yes
29	GND			
30	TRIGOUT	Input	High	
31	TCK/ZCL	Output		Yes
32	TMS	Output	High	Yes
33	RTC_V <sub>DD</sub>			
34	EZ80CLK	Input		Yes
35	SCL	Bidirectional		Yes
36	GND			

Notes:

1. For the sake of simplicity in describing the interface, Power and Ground nets are omitted from this table. The entire interface is represented in the [eZ80190 Module Schematic Diagrams](#) on pages 66 through 73.
2. The Power and Ground nets are connected directly to the eZ80F91 device.



**Table 3. eZ80<sup>®</sup> Development Platform  
I/O Connector Identification—JP2<sup>1</sup> (Continued)**

Pin #	Symbol	Signal Direction	Active Level	eZ80F91 Signal <sup>2</sup>
37	SDA	Bidirectional		Yes
38	GND			
39	FlashWE	Output	Low	No
40	GND			
41	CS3	Input	Low	Yes
42	DIS_IrDA	Output	Low	No
43	RESET	Bidirectional	Low	Yes
44	WAIT	Output	Pull-Up 10KΩ; Low	Yes
45	V <sub>DD</sub>			
46	GND			
47	HALT_SLP	Input	Low	Yes
48	NMI	Output	Low	Yes
49	V <sub>DD</sub>			
50	Reserved			

## Notes:

1. For the sake of simplicity in describing the interface, Power and Ground nets are omitted from this table. The entire interface is represented in the [eZ80190 Module Schematic Diagrams](#) on pages 66 through 73.
2. The Power and Ground nets are connected directly to the eZ80F91 device.

Almost all of the connectors' signals are received directly from the CPU. Four input signals, in particular, offer options to the application developer by disabling certain functions of the eZ80190 Module.

These four inputs are:



- Disable Ethernet ( $\overline{\text{DIS\_ETH}}$ )
- Disable Flash ( $\overline{\text{DIS\_FL}}$ )
- Flash Write Enable ( $\overline{\text{FlashWE}}$ )
- Disable IrDA (DIS\_IrDA—not used)

These four signals are described below.

### Disable Ethernet

When active Low, the  $\overline{\text{DIS\_ETH}}$  output signal disables the EMAC from responding to CPU requests. As a result, additional input/output or memory devices can be used in the  $\overline{\text{CS3}}$  address space. The logic that disables the Ethernet signal is listed in [Appendix A](#) on page 74.

### Disable Flash

When active Low, the  $\overline{\text{DIS\_FL}}$  input signal disables the Flash chip on the eZ80190 Module.

### Flash Write Enable

When active Low, the  $\overline{\text{FlashWE}}$  input signal enables Write operations on the Flash boot block of the eZ80190 Module.

### Disable IrDA

This signal does not perform a function on the eZ80190 Module. UART0 is always used with the RS232 interface on the eZ80<sup>®</sup> Development Platform.

## Application Module Interface

An Application Module Interface is provided to allow the user to add an application-specific module to the eZ80<sup>®</sup> Development Platform. ZiLOG's Thermostat Application Module (not provided in the kit) is an example application-specific module that demonstrates an HVAC control system.





To design an application module, the user should be familiar with the architecture and features of the eZ80190 Module currently installed. Implementing an application module via the Application Module Interface requires that the eZ80190 Module also be mounted on the eZ80<sup>®</sup> Development Platform, because it (the eZ80190 Module) contains the eZ80190 microprocessor. To mount an application module, use the two male connectors J6 and J8.

Connector J6 carries the GPIO signals, and connector J8 carries memory and control signals. Tables 4 and 5 list the signals and functions related to each of these jumpers by pin. Power and ground signals are omitted for the sake of simplicity.

**Table 4. GPIO Port Connector J6\***

Signal	Pin #	Function	Direction	Notes
SCL	5	I <sup>2</sup> C Clock	Bidirectional	
SDA	7	I <sup>2</sup> C Data	Bidirectional	
<u>MOD_DIS</u>	9	Modem Disable	Input	If a shunt is installed between pins 6 and 9, the modem function on the eZ80 <sup>®</sup> Development Platform is disabled.
<u>MWAIT</u>	13	WAIT signal for the CPU	Input	This signal does not perform a function on the eZ80190 Module.
<u>EM_D0</u>	15	GPIO, Bit 0	Bidirectional	
<u>CS3</u>	17	Chip Select 3 of the CPU	Output	This signal is also present on the J8.
<u>EM_D[7:1]</u>	21,23,25, 27,29,31, 33	Port A, Bit [7:1]	Bidirectional	

Note: \*All of the signals are driven directly by the CPU.



**Table 4. GPIO Port Connector J6\* (Continued)**

Signal	Pin #	Function	Direction	Notes
Reserved	35			
PC[7:0]	39,41,43, 45,47,49, 51,53	Port C, Bit [7:0]	Bidirectional	
ID_[2:0]	6,8,10	eZ80 <sup>®</sup> Development Platform ID	Output	
CON_DIS	12	Console Disable	Input	If a shunt is installed between pins 12 and 14, the Console function on the eZ80 <sup>®</sup> Development Platform is disabled.
Reserved	16,18			
PD[7:0]	22,24,26, 28,30,32, 34,36	Port D, Bit[7:0]	Bidirectional	
PB[7:0]	40,42,44, 46,48,50, 52,54	Port B, Bit[7:0]	Bidirectional	

Note: \*All of the signals are driven directly by the CPU.



**Table 5. CPU Bus Connector J8\***

Signal	Pin #	Function	Direction
A[0:7]	3–10	Address Bus, Low Byte	Output
A[8:15]	13–20	Address Bus, High Byte	Output
A[16:23]	23–30	Address Bus, Upper Byte	Output
$\overline{\text{RD}}$	33	Read Signal	Output
$\overline{\text{RESET}}$	35	Push Button Reset	Output
$\overline{\text{BUSACK}}$	37	CPU Bus Acknowledge Signal	Output
$\overline{\text{NMI}}$	39	Nonmaskable Interrupt	Input
D[0:7]	43–50	Data Bus	Bidirectional
CS[0:3]	53–56	Chip Selects	Output
$\overline{\text{MREQ}}$	57	Memory Request	Output
$\overline{\text{WR}}$	34	Write Signal	Output
$\overline{\text{INSTRD}}$	36	Instruction Fetch	Output
$\overline{\text{BUSREQ}}$	38	CPU Bus Request signal	Input
PHY	40	Clock output of the CPU	Output

Note: \*All of the signals except BUSACK and INSTRD are driven by low-voltage CMOS technology (LVC) drivers.

## I/O Functionality

The eZ80<sup>®</sup> Development Platform provides additional functionality, featuring general-purpose port, an LED matrix, a modem reset, and two user triggers. These functions are memory-mapped with an address decoder based on the Generic Array Logic GAL22IV10D (U15) device manufactured by Lattice Semiconductor, and a bidirectional latch (U16). Additionally, U15 is used to decode addresses for access to the 7x5 LED matrix.



Table 6 lists the memory map addresses to registers that allow access to the above functions. The register at address 800000h controls general-purpose port output control and LED anode register functions. The register at address 800001h controls the register functions for the LED cathode, modem reset, and user triggers. Address 800002h controls general-purpose port data.

**Table 6. LED and Port Emulation Addresses**

Address	Register Function	Access
800000h	LED Anode/General-Purpose Port Output Control	WR
800001h	LED Cathode/Modem/Trig	WR
800002h	General-Purpose Port Data	RD/WR

### General-Purpose Port

The general-purpose port is emulated with the use of the GPIO Output Control Register and the GPIO Data Register. If bit 7 in the GPIO Output Control Register is 1, all of the lines on the general-purpose port are configured as inputs. If this bit is 0, all of the lines on the general-purpose port are configured as outputs. Table 7 lists the multiple functions of the register.

**Table 7. LED Anode/General-Purpose Port Output Control Register**

Function	Bit #							
	7	6	5	4	3	2	1	0
Anode Col 1								X
Anode Col 2							X	
Anode Col 3						X		
Anode Col 4					X			



**Table 7. LED Anode/General-Purpose Port Output Control Register (Continued)**

Function	Bit #							
	7	6	5	4	3	2	1	0
Anode Col 5				X				
Anode Col 6			X					
Anode Col 6		X						
GPIO Output	X							

The GPIO Data Register receives inputs or provides outputs for each of the seven general-purpose port lines, depending on the configuration of the port. See Table 8.

**Table 8. General-Purpose Port Data Register**

Function	Bit #							
	7	6	5	4	3	2	1	0
GPIO D0								X
GPIO D1							X	
GPIO D2						X		
GPIO D3					X			
GPIO D4				X				
GPIO D5			X					
GPIO D6		X						
GPIO D7	X							



**Caution:** Reading from the general-purpose port can damage the drivers used for the general-purpose port and memory. The port can, however, be used for writing data.



## LED Matrix

The one 7x5 LED matrix device on the eZ80<sup>®</sup> Development Platform is a memory-mapped device that can be used to display information, such as programmed alphanumeric characters. For example, the LED display sample program that is shipped with this kit displays the alphanumeric message:

eZ80

To illuminate any LED in the matrix, its respective anode bit must be set to 1 and its corresponding cathode bit must be set to 0.

Bits 0–6 in Table 7 are LED anode bits. They must be set High (1) and their corresponding cathode bits, bits 0–4 in Table 9, must be set Low (0) to illuminate each of the LED's, respectively.

Bit 7 in Table 7 does not carry any significance within the LED matrix. It is used for the general-purpose port as a control bit.

Table 9 indicates the multiple register functions of the LED cathode, modem, and triggers. This table shows the bit configuration for each cathode bit. Bits 5, 6, and 7 do not carry any significance within the LED matrix. These three bits are control bits for the modem reset, Trig1, and Trig2 functions, respectively.

**Table 9. Bit Access to the LED Cathode, Modem, and Triggers**

Function	Bit #							
	7	6	5	4	3	2	1	0
Cathode Row 5								X
Cathode Row 4							X	
Cathode Row 3						X		
Cathode Row 2					X			



**Table 9. Bit Access to the LED Cathode, Modem, and Triggers (Continued)**

Function	Bit #							
	7	6	5	4	3	2	1	0
Cathode Row 1				X				
MRESET			X					
Trig 1		X						
Trig 2	X							

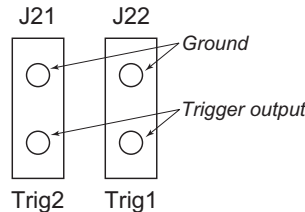
An LED display sample program is shipped with the eZ80190 Development Kit. Please refer to the [eZ80190 Development Kit Quick Start Guide \(QS0004\)](#) or to the Tutorial section in the [ZiLOG Developer Studio II—eZ80 User Manual \(UM0123\)](#).

### Modem Reset

The Modem Reset signal, MRESET, is used to reset an optional socket modem. This signal is controlled by bit 5 in the register shown in Table 9. The MRESET signal is available at the embedded modem socket interface (J9, Pin 1). Setting this bit Low places the optional socket modem into a reset state. The user must pull this bit High again to enable the socket modem. Reference the appropriate documentation for the socket modem to reset timing requirements. More information about this signal is provided in the next section.

### User Triggers

Two general-purpose trigger output pins are provided on the eZ80<sup>®</sup> Development Platform. Labeled J21 (Trig2) and J22 (Trig1), these pins allow the user a way to *trigger* external equipment to aid in the debug of the system. See Figure 8 for trigger pin details.



**Figure 8. Trigger Pins J21 and J22**

Bits 6 and 7 in Table 9 are the control bits for the user triggers. If either bit is a 1, the corresponding Trig1 and Trig2 signals are driven High. If either bit is 0, the corresponding Trig1 and Trig2 signals are driven Low.

## Embedded Modem Socket Interface

The eZ80<sup>®</sup> Development Platform features a socket for an optional 56K modem (a modem is not included in the kit). The tested modem for this eZ80190 Development Kit is a Conexant socket modem, part number SF56D/SP. Information about this modem and its interface is available in the SmartSCM SocketModem data sheet (Doc. No. 101522D) from [www.conexant.com](http://www.conexant.com).

Connectors J1, J5, and J9 provide connection capability. The modem socket interface provided by these three connectors is shown in Figure 9. Tables 10 through 12 identify the pins for each connector. The embedded modem utilizes UART1, which is available via the Port C pins.



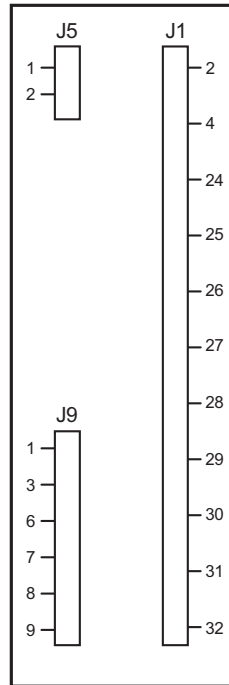


Figure 9. Embedded Modem Socket Interface—J1, J5, and J9

Table 10. Connector J5

Pin	Symbol	Description
1	M-TIP	Telephone Line Interface—TIP.
2	M-RING	Telephone Line Interface—RING.

Table 11. Connector J9

Pin	Symbol	Description
1	MRESET	Reset, active Low, 50–100ms. Closure to GND for reset.
3	GND	Ground.



**Table 11. Connector J9**

6	D1	DCD indicator; can drive an LED anode without additional circuitry.
7	D2	RxD indicator; can drive an LED anode without additional circuitry.
8	D3	DTR indicator; can drive an LED anode without additional circuitry.
9	D4	TxD indicator; can drive an LED anode without additional circuitry.

**Table 12. Connector J1**

Pin	Symbol	Description
2	MOD_DIS	Modem disable, active Low.
4	V <sub>CC</sub>	+5 VDC or +3.3 VDC input.
24	GND	Ground.
25	PC4_DTR1	DTR interface; TTL levels.
26	PC6_DCD1	DCD interface; TTL levels.
27	PC3_CTS1	CTS interface; TTL levels.
28	PC5_DSR1	DSR interface; TTL levels.
29	PC7_RI1	Ring Indicator interface; TTL levels.
30	PC0_TXD1	TxD interface; TTL levels.
31	PC1_RXD1	RxD interface; TTL levels.
32	PC2_RTS1	RTS interface; TTL levels.

Components P4, T1, C3, C4, and U11 provide the phone line interface to the modem. On the eZ80<sup>®</sup> Development Platform, LEDs D1, D2, D3, and D4 function as status indicators for this optional modem.

The phone line connection for the modem is for the United States only. Connecting the modem outside of the U.S. requires modification.



## eZ80<sup>®</sup> Development Platform Memory

Memory space on the eZ80<sup>®</sup> Development Platform consists of onboard SRAM and additional footprints.

### Onboard SRAM

The eZ80<sup>®</sup> Development Platform features 512KB SRAM at U20. This SRAM provides the basic memory requirement for small applications development. This SRAM is in the address range B80000h–BFFFFFFh.

### Additional SRAM

The amount of eZ80<sup>®</sup> Development Platform memory can be extended if required by adding SRAM devices. U19, U18, and U17 provide this capability. However, the user should be aware that additional SRAM must be installed in the following order:

1. U19, address range B00000h–B7FFFFFFh
2. U18, address range A80000h–AFFFFFFh
3. U17, address range A00000h–A7FFFFFFh

If SRAM memory is installed in a different order than the above sequence, SRAM will not be contiguous unless the user is able to change the address decoder, U10. Memory access decoding is performed by this address decoder, implemented in the Generic Array Logic device, GAL22LV10D (U10).

### Memory Map

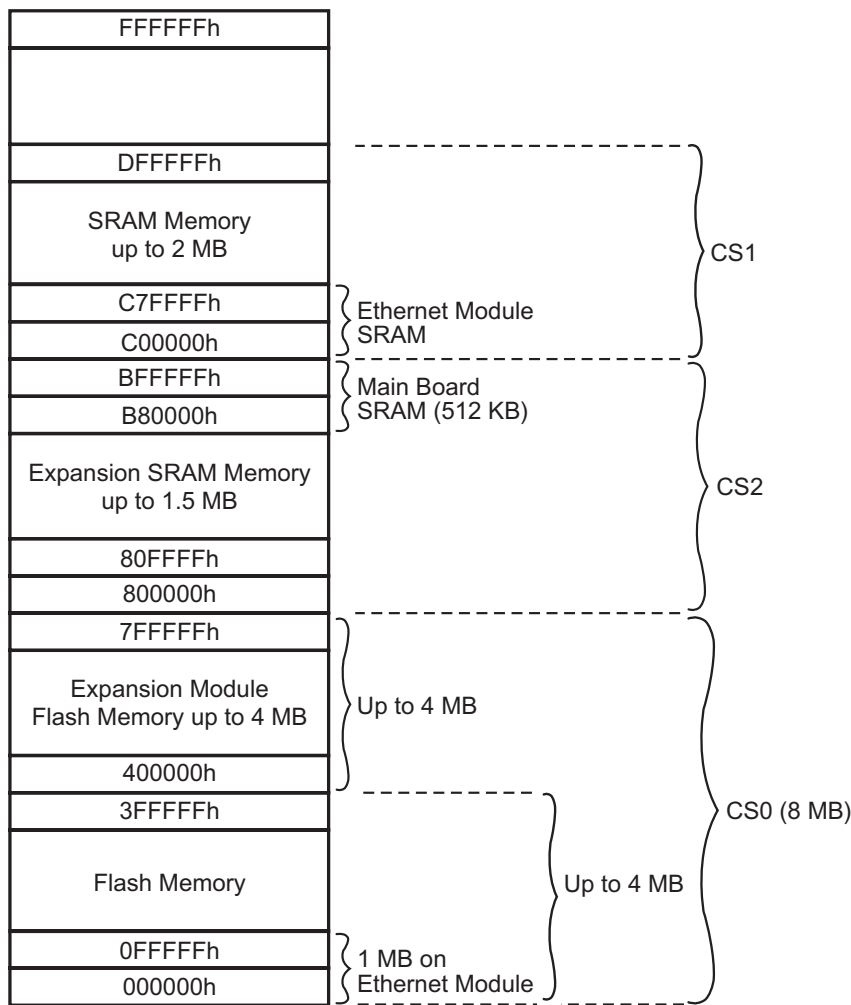
A memory map of the eZ80<sup>®</sup> CPU is illustrated in Figure 10. Flash memory and SRAM on the eZ80190 Module are addressed when  $\overline{CS0}$  and  $\overline{CS1}$  are active Low. SRAM on the eZ80<sup>®</sup> Development Platform is addressed when  $\overline{CS2}$  is active Low.

The eZ80190 MCU features 8KB of internal SRAM in the address range E000h–FFFFh and 1KB of MACC RAM in the address range DC00h–



DFFFh. Internal RAM can be mapped anywhere in the 16MB address space in 64KB steps (DC00h–FFFFh to DC00h–FFFFFFh). The software included in the eZ80190 Development Kit assumes internal RAM in the range E000h–FFFFh for the interrupt vector table. This range overlaps the address range assigned to Flash memory ( $\overline{CS0}$ ) on the eZ80190 Module.

► **Note:** The Ethernet controller, located on the eZ80190 Module, is mapped as an I/O device at address 300h. It uses  $\overline{CS3}$ .



**Figure 10. Memory Map of the eZ80<sup>®</sup> Development Platform and eZ80190 Module**



The LED matrix and the general-purpose port circuitry are mapped in the address range 800000h–80ffffh. The  $\overline{\text{CS2}}$  chip select should be driven Low to select the LED matrix or general-purpose port.

## LEDs

As stated earlier, LEDs D1, D2, D3, and D4 function as status indicators for an optional modem. This section describes each LED and the LED matrix device.

### Data Carrier Detect

The Data Carrier Detect (DCD) signal at D1 indicates that a good carrier signal is being received from the remote modem.

### RX

The RX signal at D2 indicates that data is received from the modem.

### Data Terminal Ready

The Data Terminal Ready (DTR) signal at D3 informs the modem that the PC is ready.

### TX

The TX signal at D4 indicates that data is transmitted to the modem.

## Push Buttons

The eZ80<sup>®</sup> Development Platform provides user controls in the form of push buttons. These push buttons serve as input devices to the eZ80<sup>®</sup> Ethernet Device device. The programmer can use them as necessary for application development. All push buttons are connected to the general-purpose port pins.



### **PB0**

The PB0 push button switch, SW1, is connected to bit 0 of the general-purpose port. This switch can be used as the port input if required by the user.

### **PB1**

The PB1 push button switch, SW2, is connected to bit 1 of the general-purpose port. This switch can be used as the port input if required by the user.

### **PB2**

The PB2 push button switch, SW3, is connected to bit 2 of the general-purpose port. This switch can be used as the port input if required by the user.

### **RESET**

The Reset push button switch, SW4, resets the eZ80<sup>®</sup> CPU and the eZ80<sup>®</sup> Development Platform.

## **Jumpers**

The eZ80<sup>®</sup> Development Platform provides a number of jumpers that are used to enable or disable functionality on the platform, enable or disable optional features, or to provide protection from inadvertent use.

### **Jumper J2**

The J2 jumper enables/disables IrDA transceiver functionality. When the shunt is placed, IrDA communication is disabled. This jumper does not perform any functions when the eZ80190 Module is installed.



### Jumper J3

The J3 jumper connection controls the mode of the general-purpose port and communication with the 7x5 LED. When the shunt is placed, the general-purpose port is disabled. See Table 13.

**Table 13. J3—DIS\_EM**

Shunt Status	Function	Affected Device
In	Application Module Hardware Disabled	Communication with 7x5 LED and Port emulation circuit is disabled.
Out	Application Module Hardware Enabled	Communication with 7x5 LED and the general-purpose port circuit is enabled.

### Jumper J7

The J7 jumper connection controls Flash boot loader programming. When the shunt is placed, overwriting of the Flash boot loader program is enabled. See Table 14.

**Table 14. J7—FlashWE**

Shunt Status	Function	Affected Device
Out	The Flash boot sector of the eZ80190 Module is write-protected.	Flash boot sector of the eZ80190 Module.
In	The Flash boot sector of the eZ80190 Module is enabled for writing or overwriting.	Flash boot sector of the eZ80190 Module.



### Jumper J11

The J11 jumper connection controls access to the Flash memory device. When the shunt is removed, access to the Flash device is disabled/prevented. See Table 15.

**Table 15. J11—DIS\_FL**

Shunt Status	Function	Affected Device
OUT	All access to Flash on the eZ80190 Module is disabled.	Flash on eZ80190 Module.
IN	Flash on the eZ80190 Module is enabled.	Flash on eZ80190 Module.

### Jumper J12

The J12 jumper connection controls the selection of a 5 V or 3 VDC power supply to the embedded modem, if an embedded modem is used. See Table 16.

**Table 16. J12—5VDC/3.3VDC for an Embedded Modem**

Shunt Status	Function	Affected Device
1–2	5VDC is provided to power the embedded modem.	Embedded modem.
2–3	3.3VDC is provided to power the embedded modem.	Embedded modem.





### Jumper J14

The J14 jumper connection controls the polarity of the Ring Indicator. See Table 17.

**Table 17. J14—RI**

Shunt Status	Function	Affected Device
1–2	The Ring Indicator for UART1 is inverted.	UART1.
2–3	The Ring Indicator for UART1 is not inverted.	UART1.

For jumpers J15–J18, RS485 functionality is not available on the eZ80190 Module. However, this functionality is available in other eZ80<sup>®</sup> devices.

### Jumper J15

The J15 jumper connection controls the selection RS485 circuit along with UART0. When the shunt is placed, the RS485 circuit is enabled. See Table 18. RS485 functionality will be available in future eZ80<sup>®</sup> devices.

**Table 18. J15—RS485\_1\_EN\***

Shunt Status	Function	Affected Device
In	The RS485 circuit is enabled on UART0. The UART0 CONSOLE interface and IrDA are disabled.	IrDA, UART0 CONSOLE interface, RS485 interface.
Out	The RS485 circuit is disabled on UART0.	IrDA, UART0 CONSOLE interface, RS485 interface.

Note: \*To enable the RS485 circuit, the corresponding IrDA/RS232 circuit must be disabled.



### Jumper J16

The J16 jumper connection controls the selection of the RS485 circuit. However, UART1 MODEM interface and the socket modem interface are disabled if the RS485 circuit is enabled. When the shunt is placed, the RS485 circuit is enabled. See Table 19.

**Table 19. J16—RS485\_2\_EN**

Shunt Status	Function	Affected Device
In	The RS485 circuit is enabled on UART1. The UART1 MODEM interface and the Socket Modem interface are disabled.	UART1 MODEM interface, Socket Modem Interface, and RS485 interface.
Out	The RS485 circuit is disabled on UART1.	UART1 MODEM interface, Socket Modem Interface, and RS485 interface.

### Jumper J17

The J17 jumper connection controls the selection of the RS485 termination resistor circuit. When the shunt is placed, the RS485 termination resistor circuit is enabled. See Table 20.

**Table 20. J17—RT\_1\***

Shunt Status	Function	Affected Device
In	The Termination Resistor for RS485_1 is IN.	RS485 interface.
Out	The Termination Resistor for RS485_1 is OUT.	RS485 interface.

Note: \*Before enabling the termination resistor, ensure that the device is located at the end of the interface line.



### Jumper J18

The J18 jumper connection controls the selection of the RS485 termination resistor circuit. When the shunt is placed, the RS485 termination resistor circuit is enabled. See Table 21.

**Table 21. J18—RT\_2\***

Shunt Status	Function	Affected Device
In	The Termination Resistor for RS485_2 is IN.	RS485 interface.
Out	The Termination Resistor for RS485_2 is OUT.	RS485 interface.

Note: \*Before enabling the termination resistor, ensure that the device is located at the end of the interface line.

### Jumper J19

The J19 jumper connection selects the range of memory addresses for the external chip select signal,  $\overline{CS\_EX}$ , to the application module. See Table 22.

**Table 22. J19—EX\_SEL**

Shunt Status	Function	Affected Device
1–2	$\overline{CS\_EX}$ is decoded in the $\overline{CS0}$ memory space and is located in the address range 400000h–7FFFFFFh.	Application module addressing.
3–4	$\overline{CS\_EX}$ is decoded in the $\overline{CS2}$ memory space and is located in the address range A00000h–A7FFFFFFh.	Application module addressing.
5–6	$\overline{CS\_EX}$ is decoded in the $\overline{CS2}$ memory space and is located in the address range A80000h–AFFFFFFh.	Application module addressing.
7–8	$\overline{CS\_EX}$ is decoded in the $\overline{CS2}$ memory space and is located in the address range B00000h–B7FFFFFFh.	Application module addressing.



### Jumper J20

The J20 jumper connection controls the selection of the external chip select in the external application module. When the shunt is placed, the external chip select signal,  $\overline{CS\_EX}$ , is disabled. See Table 23.

**Table 23. J20— $\overline{EX\_FL\_DIS}$**

Shunt Status	Function	Affected Device
IN	The jumper for EX_FL_DIS is IN.	The chip select on the application module is disabled.
OUT	The jumper for EX_FL_DIS is OUT.	The chip select on the application module is enabled.

## Connectors

A number of connectors are available for connecting external devices such as the ZPAKII emulator, PC serial ports, external modems, the console, and LAN/telephone lines.

J6 and J8 are the headers, or connectors, that provide pin-outs to connect any external application module, such as ZiLOG's Thermostat Application Module.

### Connector J6

The J6 connector provides pin-outs to make use of GPIO functionality.

### Connector J8

The J8 connector provides pin-outs to access memory and other control signals.



## Console

Connector P2 is the RS232 terminal, which can be used for observing the console output. P2 can be connected to a PC running a HyperTerminal program if required.

## Modem

Connector P3 provides a terminal for connecting an external modem, if used with the eZ80190 Development Kit.

## I<sup>2</sup>C Devices

The two I<sup>2</sup>C devices on the eZ80<sup>®</sup> Development Platform are the U2 EEPROM and the U13 Configuration register. The EEPROM provides 16KB of memory. The Configuration register provides access to control the configuration of an application-specific function at the Application Module Interface. Neither device is utilized by the eZ80190 Development Kit software. The user is free to develop proprietary software for these two devices. The addresses for accessing these devices are listed in Table 24.

**Table 24. I<sup>2</sup>C Addresses**

Device/Bit #	7	6	5	4	3	2	1	0
EEPROM (U10)*	1	0	1	0	0	A1	A0	R/W
Configuration Register (U13)	1	0	0	1	1	1	0	R/W

Note: \*EEPROM address bits A0 and A1 are configured for 0s.

## DC Characteristics

Understanding proper DC current requirements for the eZ80<sup>®</sup> Development Platform when application modules are plugged into it is very



important for developing applications. This section provides an estimate of the average current requirement when different combinations of these application modules are plugged in to the eZ80<sup>®</sup> Development Platform.

The measurements of current that are shown in Table 25 are for the user’s reference. These values can vary depending on the type of application that is developed to run with the platform.

**Table 25. DC Current Characteristics of the eZ80<sup>®</sup> Development Platform with Different Module Loads**

<b>Platform/Modules Configurations</b>	<b>Current Requirement (mA)</b>	<b>Status</b>
eZ80 <sup>®</sup> Development Platform and eZ80190 Module	173	When connected only to a power supply, and when no program is running.
eZ80 <sup>®</sup> Development Platform, eZ80190 Module, and Modem Module	174	When connected only to a power supply, and when no program is running.
eZ80 <sup>®</sup> Development Platform, eZ80190 Module, and Thermostat Application Module	195	When connected only to a power supply, and when no program is running.
eZ80 <sup>®</sup> Development Platform, eZ80190 Module, Modem Module, and Thermostat Application Module	203	When connected only to a power supply, and when no program is running.
eZ80 <sup>®</sup> Development Platform and eZ80190 Module	325	When the LED demo is running.
eZ80 <sup>®</sup> Development Platform, eZ80190 Module, and Modem Module	325	When the LED demo is running.



**Table 25. DC Current Characteristics of the eZ80<sup>®</sup> Development Platform with Different Module Loads (Continued)**

<b>Platform/Modules Configurations</b>	<b>Current Requirement (mA)</b>	<b>Status</b>
eZ80 <sup>®</sup> Development Platform, eZ80190 Module, and Thermostat Application Module	350	When the LED demo is running.
eZ80 <sup>®</sup> Development Platform, eZ80190 Module, Modem Module, and Thermostat Application Module	360	When the LED demo is running.



## *eZ80190 Module*

This section describes the eZ80190 Module hardware, its interfaces and key components, including the CPU, Ethernet Media Access Controller (EMAC), and memory.

### **Functional Description**

The eZ80190 Module is a compact, high-performance Ethernet module specially designed for the rapid development and deployment of embedded systems requiring control and Internet/Intranet connectivity via Ethernet and/or fast Multiply-Accumulate operations. Additional devices such as serial ports, LED matrices, GPIO ports, and I<sup>2</sup>C devices are supported when connected to the eZ80<sup>®</sup> Development Platform. A block diagram representing both of these boards is shown in [Figure 1](#) on page 4.

The eZ80190 Module is developed to be a plug-in module to the eZ80<sup>®</sup> Development Platform. The small-footprint eZ80190 Module provides a CPU, SRAM, Flash memory, a real-time clock, and an EMAC. This low-cost, expandable module is powered by the eZ80190 microprocessor, a member of ZILOG's new eZ80<sup>®</sup> product family. The module also contains a battery and an oscillator in support of the onboard Real-Time Clock (RTC). The eZ80190 Module can also be used as a stand-alone development tool when provided with an external power source.

### **Physical Dimensions**

The footprint of the eZ80190 Module PCB is 63.5 mm x 78.7 mm. With an RJ-45 Ethernet connector, the overall height is 25 mm. See Figure 11.



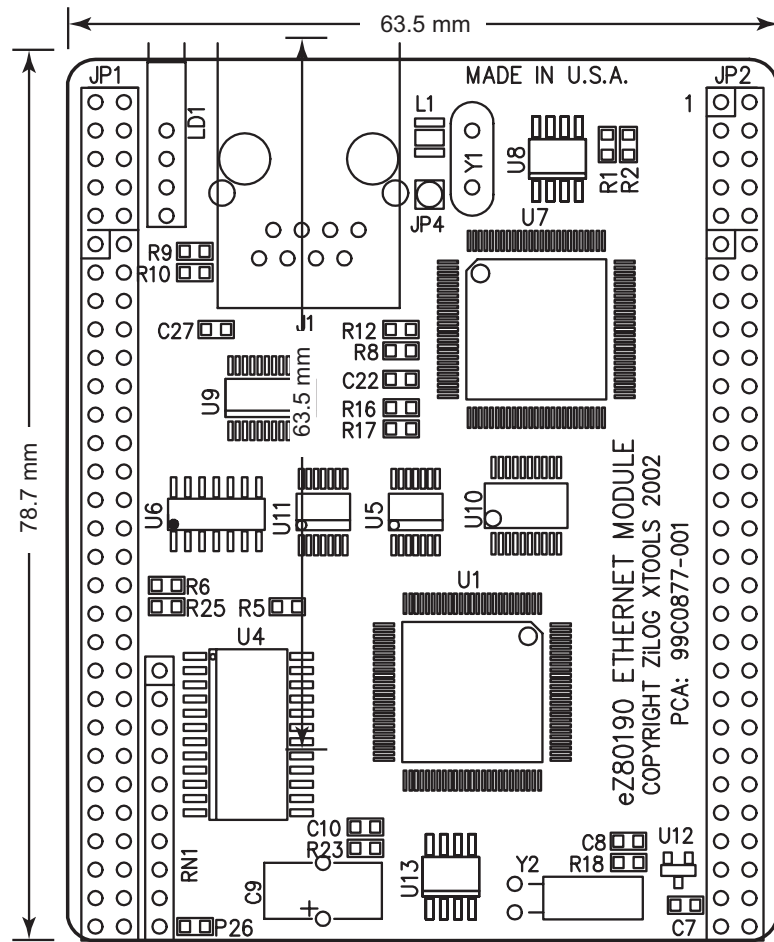


Figure 11. Physical Dimensions of the eZ80190 Module



Figure 12 illustrates the top layer silkscreen of the eZ80190 Module.

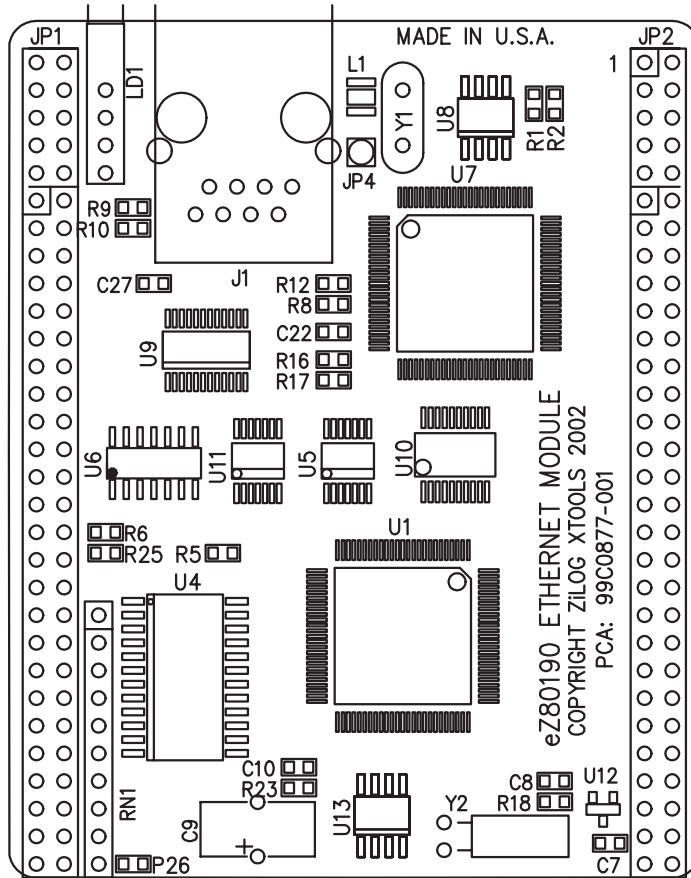


Figure 12. eZ80190 Module—Top Layer

Figure 13 illustrates the bottom layer silkscreen of the eZ80190 Module.

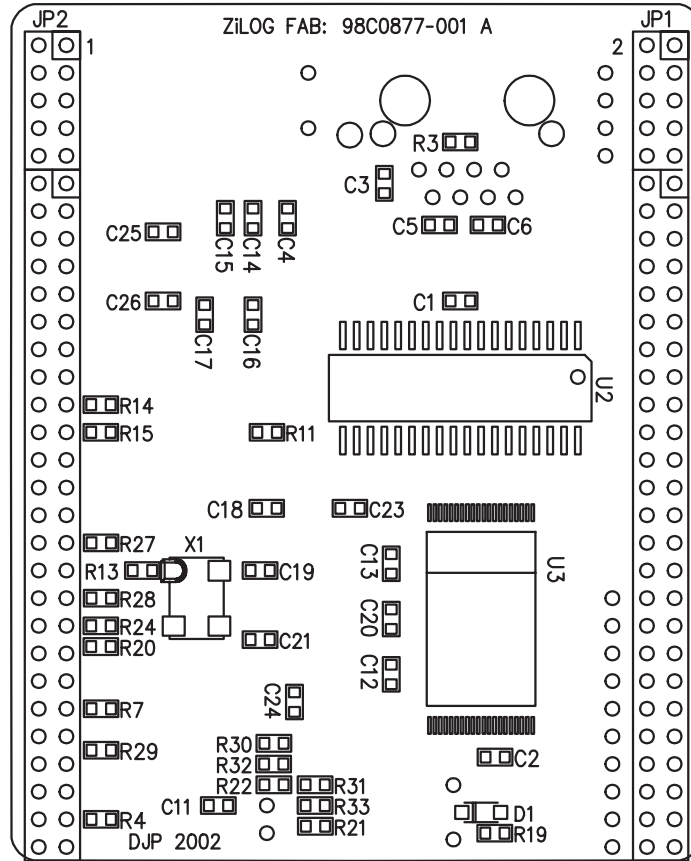


Figure 13. eZ80190 Module—Bottom Layer

## Operational Description

The purpose of the eZ80190 Module as a feature of the eZ80190 Development Kit is to provide the application developer with a plug-in tool to evaluate memory and the other features of the eZ80190 device.



## Ethernet Media Access Controller

The eZ80190 Module contains a CS8900A Ethernet Media Access Controller (EMAC—combines MAC and PHY functions) which is attached to the data/address bus (A0–A3, D0–D7,  $\overline{RD}$ , and  $\overline{WR}$ ) of the processor. This chip is connected to the processor's  $\overline{CS3}$  Chip Select, and to the PD4 pins for interrupt purposes. Connection of pins PD6 and PD7 for LANACT (wake-up from sleep) and SLEEP is optional and resistor-selectable onboard (see below). Details about the internal registers of the CS8900A EMAC can be found on the Cirrus Logic website at [www.cirrus.com](http://www.cirrus.com).

### Ethernet LEDs

There are two green LEDs, a Link LED and a LAN LED, that are located adjacent to each other on the eZ80190 Module. A steady LAN LED (top) indicates received link pulses from the Ethernet. A flashing Link LED (bottom) indicates Traffic (RX or TX) on the LAN.

### Ethernet Connector

The eZ80190 Module is equipped with an RJ-45 connector that features integrated magnetics (transformer, common mode chokes). The remaining pins on the onboard RJ-45 connector are not connected.

An RJ-45 loopback connector can be used to verify the correct operation of the Receiver and the Transmitter. Pin assignments for the RJ-45 Ethernet connector are shown in Table 26.

**Table 26. Ethernet Connector Pin Assignments**

Pin	Function
1	TX+
2	TX–
3	RX+
6	RX–



To connect the eZ80190 Module directly to another host (e.g., to a personal computer), a crossover cable must be used.

The EMAC can be additionally protected by placing an ESD protection array on the module at U8. This array can be either of the LCDA15C-6 (Semtech) or ESDA25B1 (ST Microelectronics) devices.

### **GPIO Pins for Enabling LAN Activity, Sleep, Interrupt**

GPIO input bit PD4 serves as an active High interrupt input for the EMAC's INTRQ0 output.

GPIO output bit PD7 can be used to place the EMAC into SLEEP mode. When pulling SLEEP (PD7) Low after enabling HWStandbyE and HWSleepE modes, the chip draws lower current, because only the receiver is operating. A zero-Ohm resistor at position R14 on the eZ80190 Development Kit is required for this function.

If LAN activity is detected, the LANACT signal is pulled Low. The LANACT is connected to GPIO input PD6 and can be used in interrupt edge-detection mode to wake up and reinitialize the Ethernet chip. A zero-Ohm resistor at position R15 on the module is required for this function. In this case, the PD6 pin is not available for GPIO on the I/O connector.

### **EMAC Access**

$\overline{CS3}$  is used for selecting the Ethernet MAC. For 50MHz operation, set the CS3\_CTL register (I/O address B3h) to F8h (7 wait states for I/O). The EMAC requires  $\overline{IOR}$  to be active for 135ns and  $\overline{IOW}$  to be active for 110ns.

To satisfy proper setup times at 50MHz,  $\overline{IOR}$  is delayed by one clock cycle and  $\overline{IOW}$  is delayed by two clock cycles when  $\overline{CS3}$  goes active. To satisfy proper hold times at 50MHz, the EMAC address and data are latched when  $\overline{CS3}$  goes inactive.



## eZ80190 Module Memory

The eZ80190 Module contains 512KB SRAM and 1MB Flash memory. This addressing structure provides 1.5MB of contiguous RAM for immediate use.

### SRAM Memory

The eZ80190 Module features 512KB of fast SRAM. Access speed is typically 12ns or faster, allowing zero-wait-state operation at 50MHz. With the CPU at 50MHz, onboard SRAM can be accessed with zero wait states. CS1\_CTL (chip select  $\overline{CS1}$ ) is set to 08h (no wait states).

### Flash Memory

The Flash Boot Loader, application code, and user configuration data are held permanently in Flash memory.

### Internal RAM

The eZ80190 MCU features 8KB of zero-wait-state internal SRAM. This internal RAM can be mapped anywhere in the 16MB address space in the address range E000h–FFFFh.

## Reset Generator

The onboard Reset Generator Chip is connected to the eZ80190 Reset input pin. It performs reliable Power-On Reset functions, generating a reset pulse with a duration of 200ms if the power supply drops below 2.93V. This reset pulse ensures that the board always starts in a defined condition. The RESET pin on the I/O connector reflects the status of the RESET line. It is a bidirectional pin for resetting external peripheral components or for resetting the eZ80190 Development Kit with a low-impedance output (e.g. a 100-Ohm push button).



## Real Time Clock

The onboard real-time clock can function when the system power supply is down. An onboard capacitor (GoldCap) or external accumulator/battery serves as a standby power supply. The M41T11 Real-Time-Clock included on the eZ80190 Module contains Binary Coded Decimal (BCD) counting registers for Seconds, Minutes, Hours, Day, Month, Year; it also contains a Century bit and 56 bytes of backed-up RAM. The fully-charged 0.1 F GoldCap bridges power outages with a maximum of 4 hours. The GoldCap, in contrast to a battery or an accumulator, offers an advantage in that service/replacement is not necessary.

The I<sup>2</sup>C address of the RTC is D0h for Writes and D1h for Reads.

Details about the internal registers of the M41T11 Real-Time clock can be found on the ST Microelectronics website ([www.st.com](http://www.st.com)).

## I<sup>2</sup>C Bus Software Emulation

The eZ80190 device contains two powerful master/slave mode I<sup>2</sup>C bus controllers. The I<sup>2</sup>C data (SDA) and clock (SCL) pins on PD1/PD0 and PC1/PC0 GPIO are multiplexed with the UART and SPI functions. To use I<sup>2</sup>C bus operation in parallel with console and modem I/O, the module IICSDA/IICSCL pins on connector JP2 can be linked to PA7 (IICSDA) and PA6 (IICSCL) of the eZ80190 device. In this case, an I<sup>2</sup>C master-mode software emulation is necessary to access I<sup>2</sup>C devices.

Using PA7/PA6 or PC1/PC0 for IICSDA/IICSCL is resistor-selectable on the eZ80190 Module.

## DC Characteristics

As different combinations of application modules are loaded onto the eZ80<sup>®</sup> Development Platform, current requirements change. Please see [Table 25](#) on page 42 to reference current consumption values for these different modules.



## Flash Loader Utility

The Flash Loader utility resides in the boot sector of Flash memory, located on the eZ80190 Module. The Flash Loader utility allows the user to program application code into Flash memory.

Please refer to the [External Flash Loader Product User Guide](#) (PUG0012) for more details.

## Mounting the Module

When mounting the eZ80190 Module onto the eZ80<sup>®</sup> Development Platform, check its orientation to the platform to ensure a correct fit. Pin 11 of JP1 on the eZ80190 Module must align with pin 1 of JP1 on the eZ80<sup>®</sup> Development Platform; Pin 11 of JP2 on the eZ80190 Module must align with pin 1 of JP2 on the eZ80<sup>®</sup> Development Platform, etc.

## Changing the Power Supply Plug

The universal 9VDC power supply offers three different plug configurations and a tool that aids in removing one plug configuration to insert another, as shown in Figure 14.

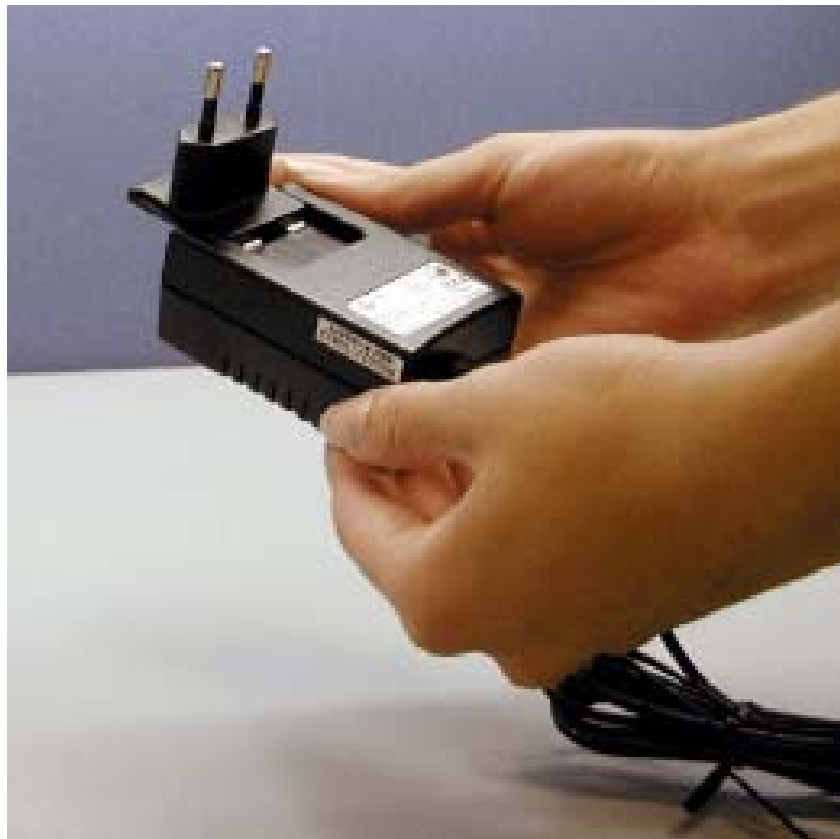


Figure 14. 9VDC Universal Power Supply Components



To exchange one plug configuration for another, perform the following steps:

1. Place the tip of the removal tool into the round hole at the top of the current plug configuration.
2. Press down to disengage the keeper tab and push the plug configuration out of its slot.
3. Select the plug configuration appropriate for your location, and insert it into the slot formerly occupied by the previous plug configuration.
4. Push the new plug configuration down until it snaps into place, as indicated in Figure 15.



**Figure 15. Inserting a New Plug Configuration**



## ZPAKII

ZPAKII is a debug tool used to develop and debug hardware and software. It is a networked device featuring an Ethernet interface and an RS232 console port. ZPAKII is shipped with a preconfigured IP address that can be changed to suit the user on a local network. For more information about using and configuring ZPAKII, please refer to the [ZPAKII Debug Interface Tool Product User Guide](#) (PUG0015) and the [eZ80190 Development Kit Quick Start Guide](#) (QS0004).

## ZDI Target Interface Module

The ZDI Target Interface Module provides a physical interface between ZPAKII and the eZ80<sup>®</sup> Development Platform. The TIM module supports ZDI functions. For more information on using the TIM module or ZDI please refer to the [eZ80190 Development Kit Quick Start Guide](#) (QS0004) and the [eZ80190 Module Product Specification](#) (PS0191).

## JTAG

Connector P1 is the JTAG connector on the eZ80<sup>®</sup> Development Platform. JTAG will be supported in the next offering of eZ80<sup>®</sup> products.

## Application Modules

ZiLOG offers the Thermostat Application module, which can be used for evaluating and developing process control and simple I/O applications. The Thermostat Application module is equipped with an LCD display that can be used to display process control and other physical parameters. For additional reading about the Thermostat application, please see the [Java Thermostat Demo Application Note](#) (AN0104) on [zilog.com](#).





## *ZDS II*

ZiLOG Developer Studio II (ZDS II) Integrated Development Environment is a complete stand-alone system that provides a state-of-the-art development environment. Based on the Windows<sup>®</sup> Win98SE/NT4.0-SP6/Win2000-SP2/WinXP user interfaces, ZDS II integrates a language-sensitive editor, project manager, C-Compiler, assembler, linker, librarian, and source-level symbolic debugger that supports the eZ80<sup>®</sup> CPU. For more information about using and configuring ZDS II, please refer to the [ZiLOG Developer Studio II—eZ80 User Manual](#) (UM0123).



# Troubleshooting

## Overview

Before contacting ZiLOG Customer Support to submit a problem report, please follow these simple steps. If a hardware failure is suspected, contact a local ZiLOG representative for assistance.

## Cannot Download Code

If you are unable to download code to RAM using ZDS, make sure to press and release the Reset button on the eZ80<sup>®</sup> Development Platform prior to selecting **Build** → **Debug** → **Reset + Go** in ZDS.

## No Output on Console Port

The eZ80190 Development Kit is shipped with a Flash Loader utility that is loaded in the protected boot sector of Flash memory (U3). Upon power-up of the eZ80<sup>®</sup> Development Platform and the eZ80 Webserver-i E-NET Module, the eZ80190 device on the module starts running code from this Flash memory area. This code enables the Console port with settings of 57.6kbps, 8, N, 1.

The Console checks the Receive buffer. If a *space* character is received on the Console port, the Flash Loader utility is enabled and a boot message should be displayed on your connected device. If no message is displayed, check the following:

- Jumper J2 must be ON (IrDA is disabled)
- On Connector J6, the jumper must be removed from pins 6 and 9 (pin names *con\_dis* and *GND*).



## IrDA Port Not Working

If you plan on using the IrDA transceiver on the eZ80 Webserver-i E-NET Module, make sure the hardware is set up as follows:

- Jumper J2 must be OFF (to enable the control gate that drives the IrDA device)
- Set port pin PD2 Low. When this port pin and Jumper J2 are turned OFF, the IrDA device is enabled.
- Install a jumper on connector J6 across pin names *con\_dis* and *GND* to disable the console serial port driver

## Difference Between EMAC and IP Address

### Media Access Control (MAC)

Each and every Ethernet device interface to the network media (e.g., network adapter, port on a hub) contains a unique MAC address, which is hard-coded into the hardware when it is manufactured. An Ethernet device addresses a host using a unique 48-bit address called its Ethernet address or Media Access Control (MAC) address.

MAC addresses are usually represented as six colon-separated pairs of hex digits, e.g., 6:0:20:11:ac:85. The first three bytes (e.g., 6-0-20) are the manufacturer's code, which can be used to identify the manufacturer. The last three bytes are the unique station ID or serial number for the interface. This station ID is unique and is associated with a particular Ethernet device. The Data Link layer's protocol-specific header specifies the MAC address of the packet's source and destination. When a packet is sent to all hosts (broadcast), a special MAC address (ff:ff:ff:ff:ff:ff) is used.

MAC addresses uniquely identify each node in a network at the Media Access Control layer, the lowest network layer that directly interfaces with the physical media (e.g., twisted-pair wires).



On a Local Area Network or other network, the MAC address is the computer's unique hardware number. (On an Ethernet LAN, the MAC address is the same as an Ethernet address.) When it is connected to the Internet, a computer (or *host* as the Internet protocol considers it), a correspondence table relates the Internet Protocol (IP) address to the computer's physical (MAC) address on the LAN.

## IP Address

An IP address is a 32-bit number that identifies each sender or receiver of information that is sent in packets across the Internet.

An IP address contains two parts: the identifier of a particular network on the Internet, and an identifier of the particular device (which can be a server or a workstation) within that network. On the Internet itself—that is, between the router that moves packets from one point to another along the route—only the network part of the address is examined.

### Relationship of the IP Address to the Physical Address

The machine or physical address used within an organization's local area networks can be different than the IP address coming from the Internet. The most typical example is the 48-bit Ethernet address. TCP/IP includes the Address Resolution Protocol (ARP) that lets the administrator create a table that maps IP addresses to physical addresses.

### The Ethernet MAC address of the ZPAKII

When connecting the ZPAKII serial port to a PC running HyperTerminal, hold the space bar and reset the ZPAKII.

When HyperTerminal prompts with

```
eZ80>
```

enter `e` to display the MAC address.



### **Resolving IP Address/Subnet Mask Conflicts**

For running demos properly, the ZPAKII IP address and subnet mask must be properly configured. Please follow the instructions provided in the [eZ80190 Development Kit Quick Start Guide](#) (QS0004) to set up and run the demos on ZDS II.

## **Contacting ZiLOG Customer Support**

For additional troubleshooting solutions, see ZDS Online Help.

For valuable information about hardware and software development tools, visit [ZiLOG Customer Support](#) online. Download the latest released version of [ZiLOG Developer Studio](#)!

Get the latest [software updates](#) from ZiLOG as soon as they are available!



# Schematic Diagrams

## eZ80® Development Platform

Figures 16 through 20 present the schematics of the eZ80® Development Platform.

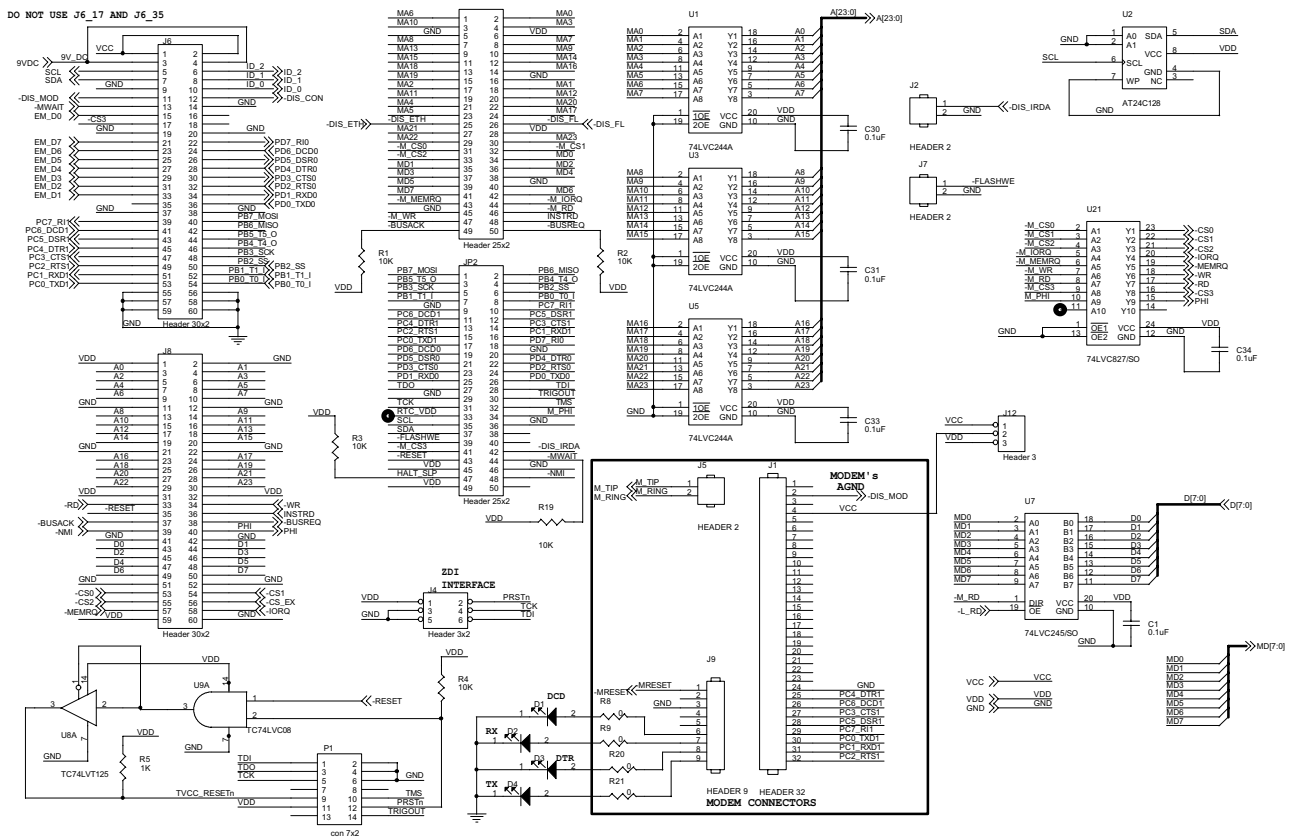


Figure 16. eZ80® Development Platform Schematic Diagram, #1 of 5

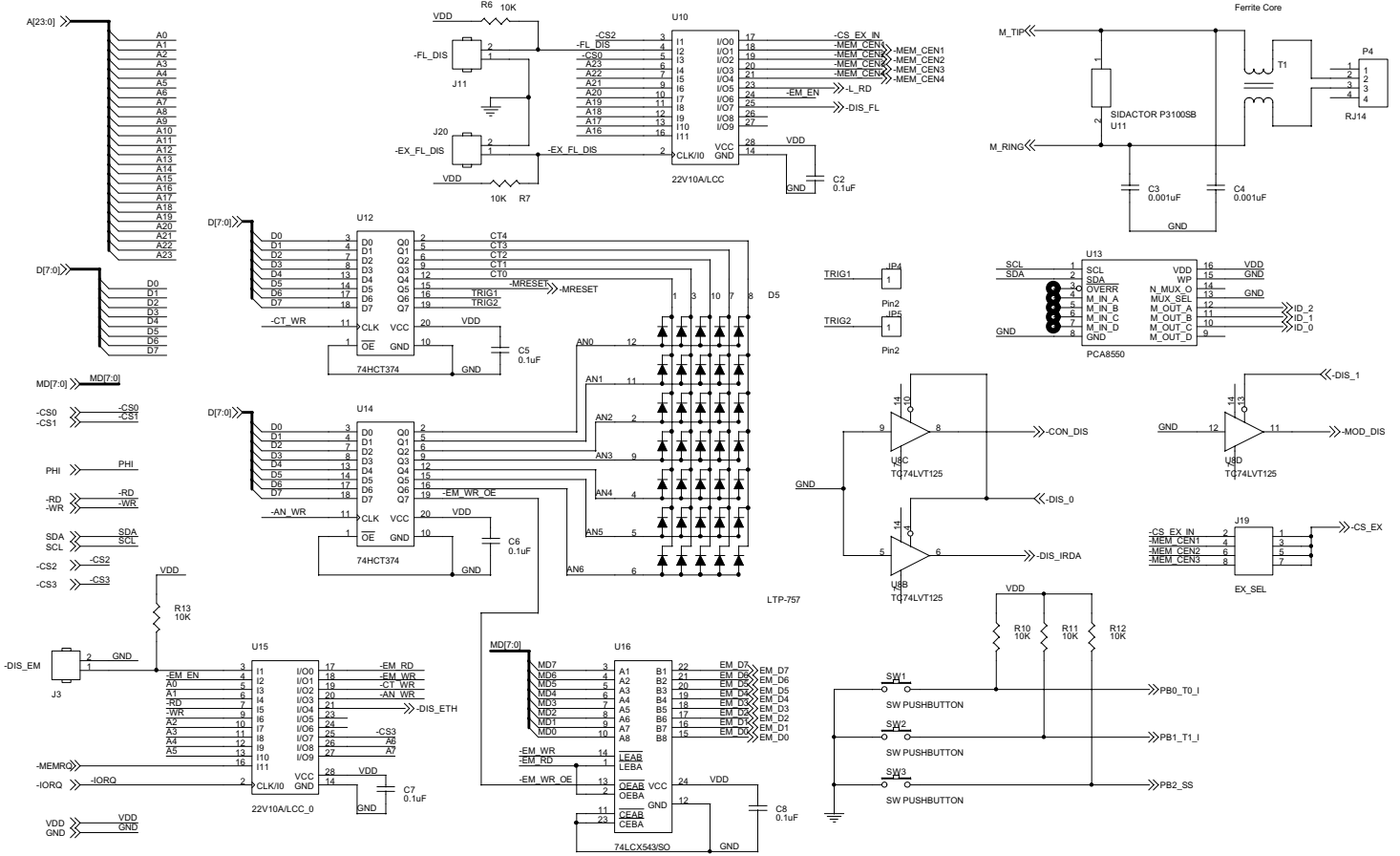


Figure 17. eZ80® Development Platform Schematic Diagram, #2 of 5

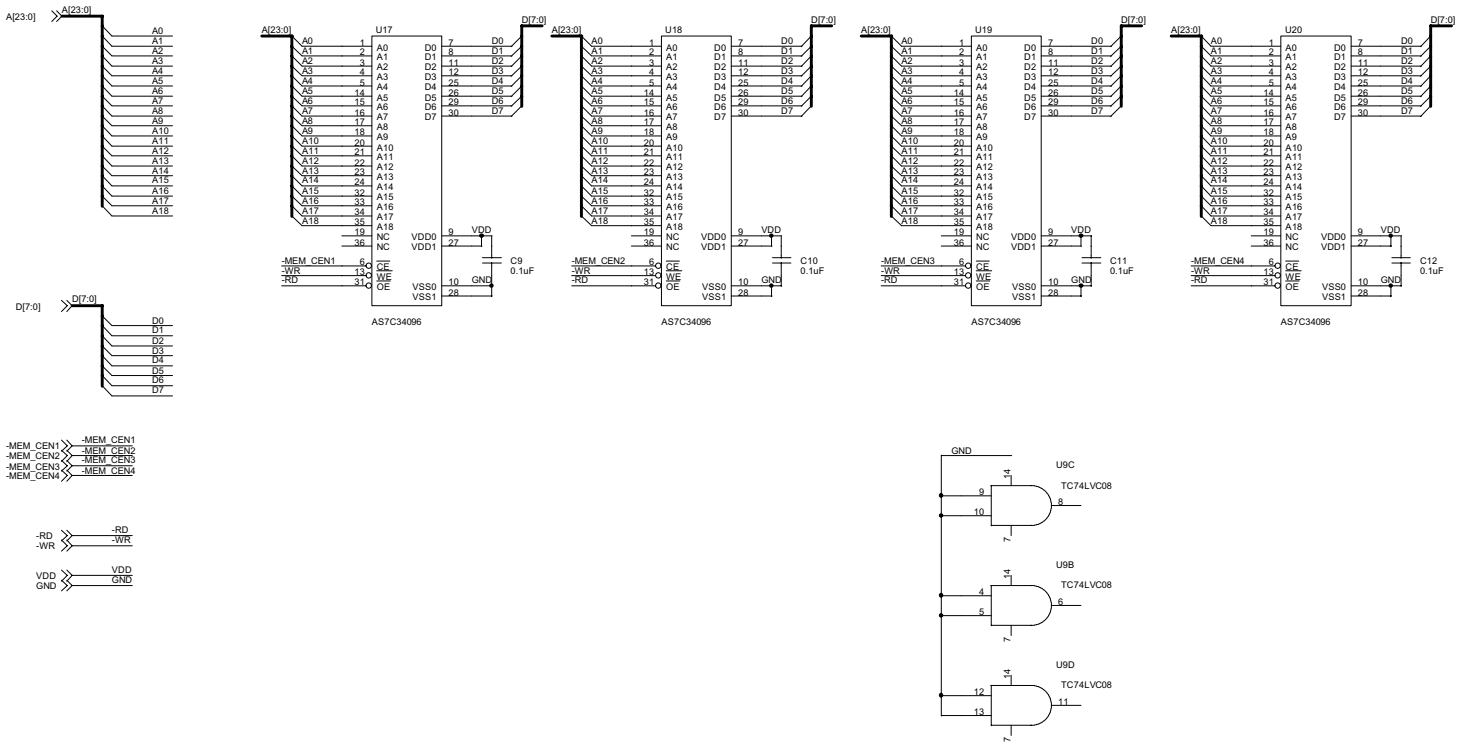


Figure 18. eZ80<sup>®</sup> Development Platform Schematic Diagram, #3 of 5

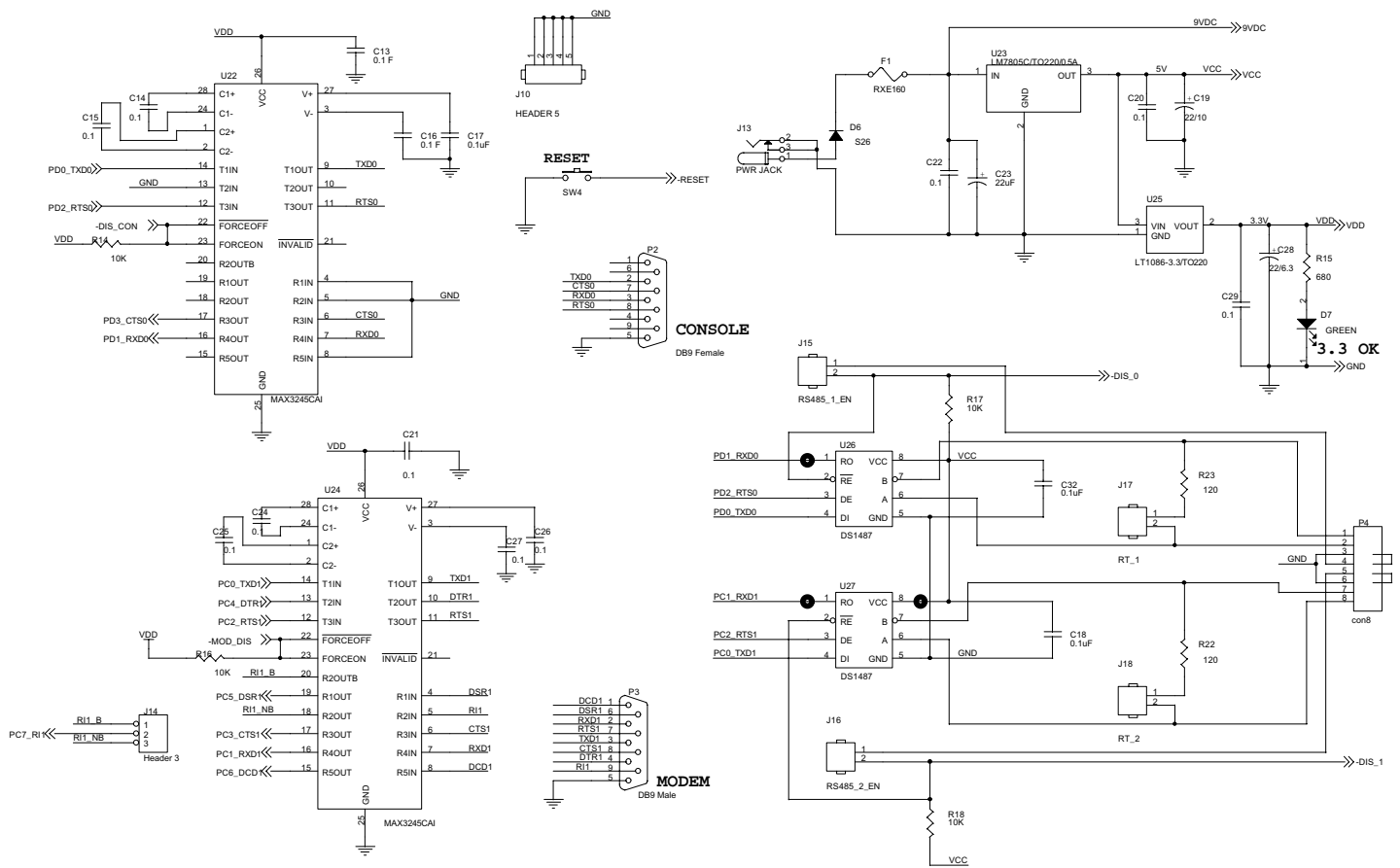


Figure 19. eZ80<sup>®</sup> Development Platform Schematic Diagram, #4 of 5

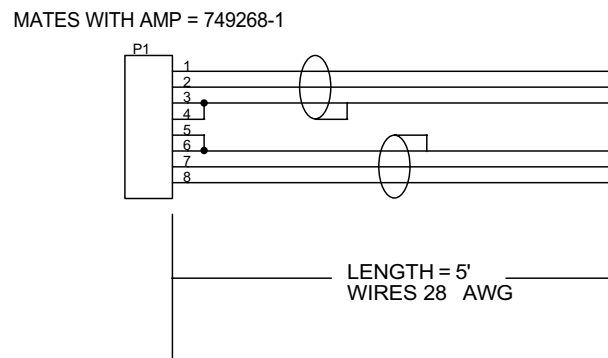
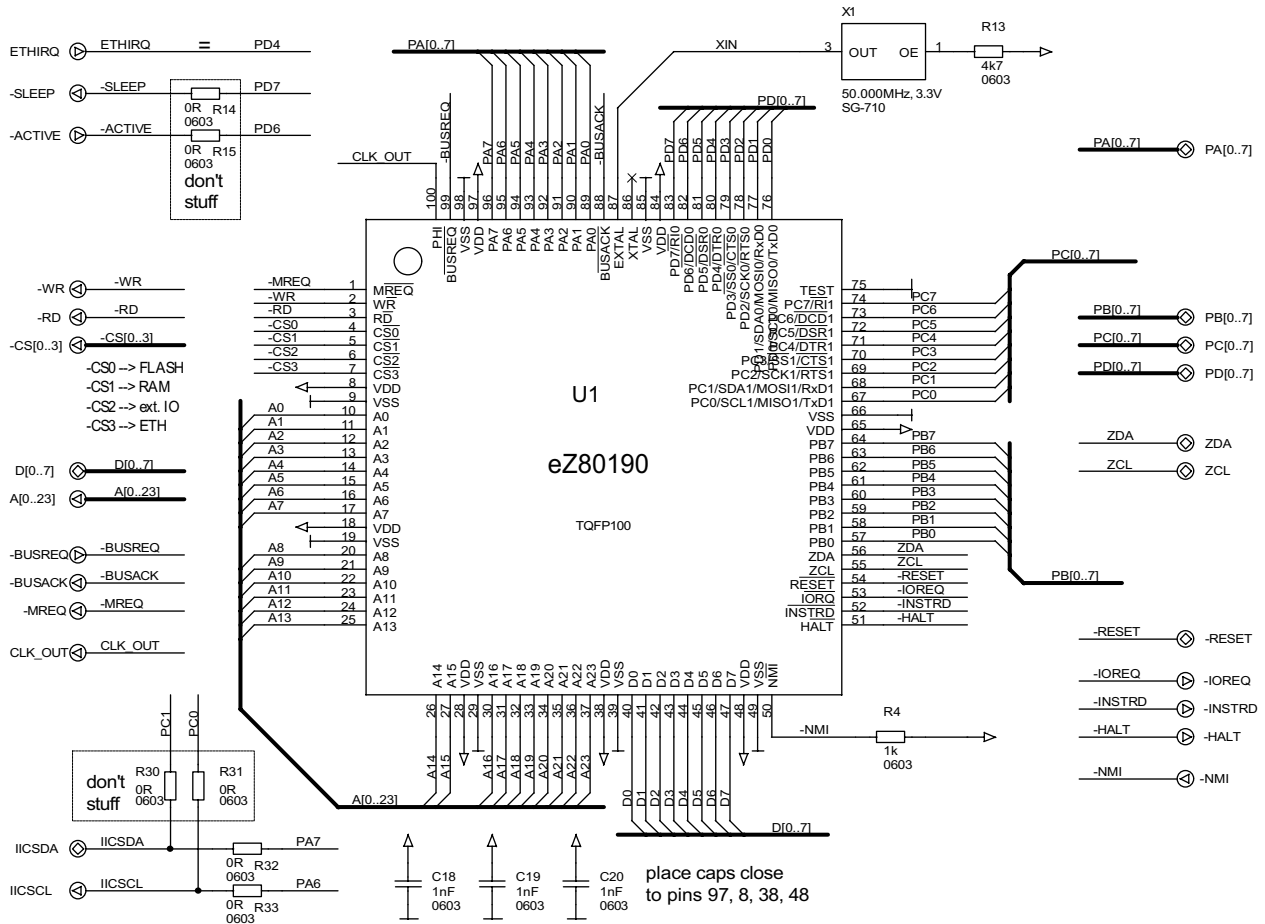


Figure 20. eZ80<sup>®</sup> Development Platform Schematic Diagram, #5 of 5—RS-485 Cable

**eZ80190 Module**

Figures 21 through 28 present the schematics of the eZ80190 Module.



**Figure 21. eZ80190 Module Schematic Diagram, #1 of 8—CPU**

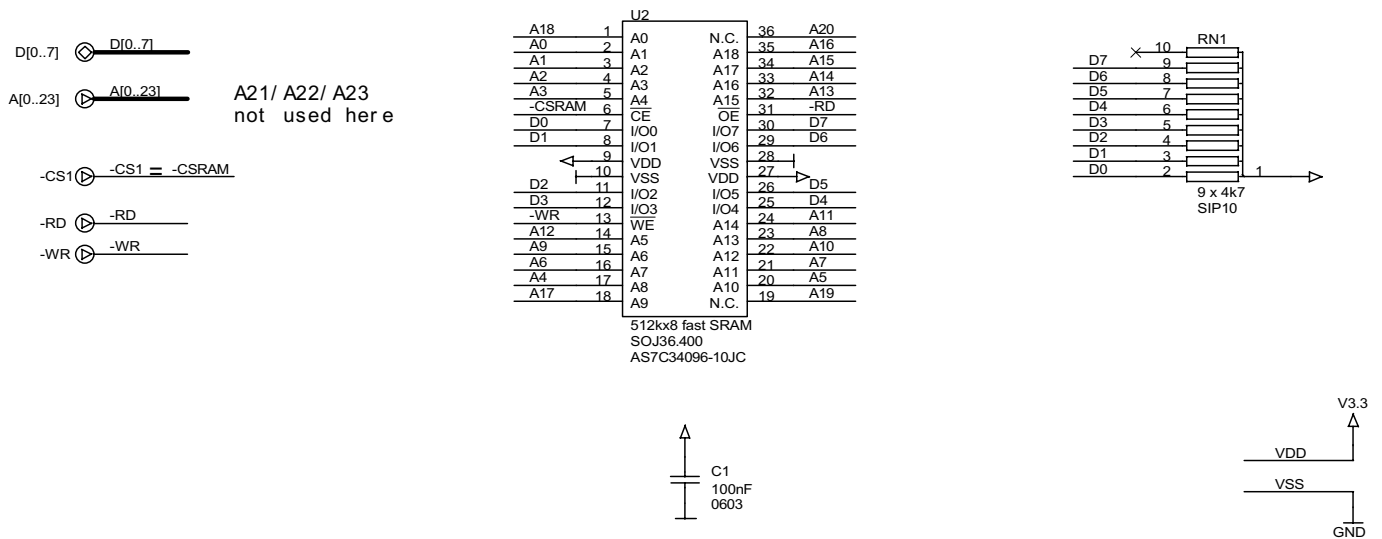


Figure 22. eZ80190 Module Schematic Diagram, #2 of 8—36-Pin SRAM Device

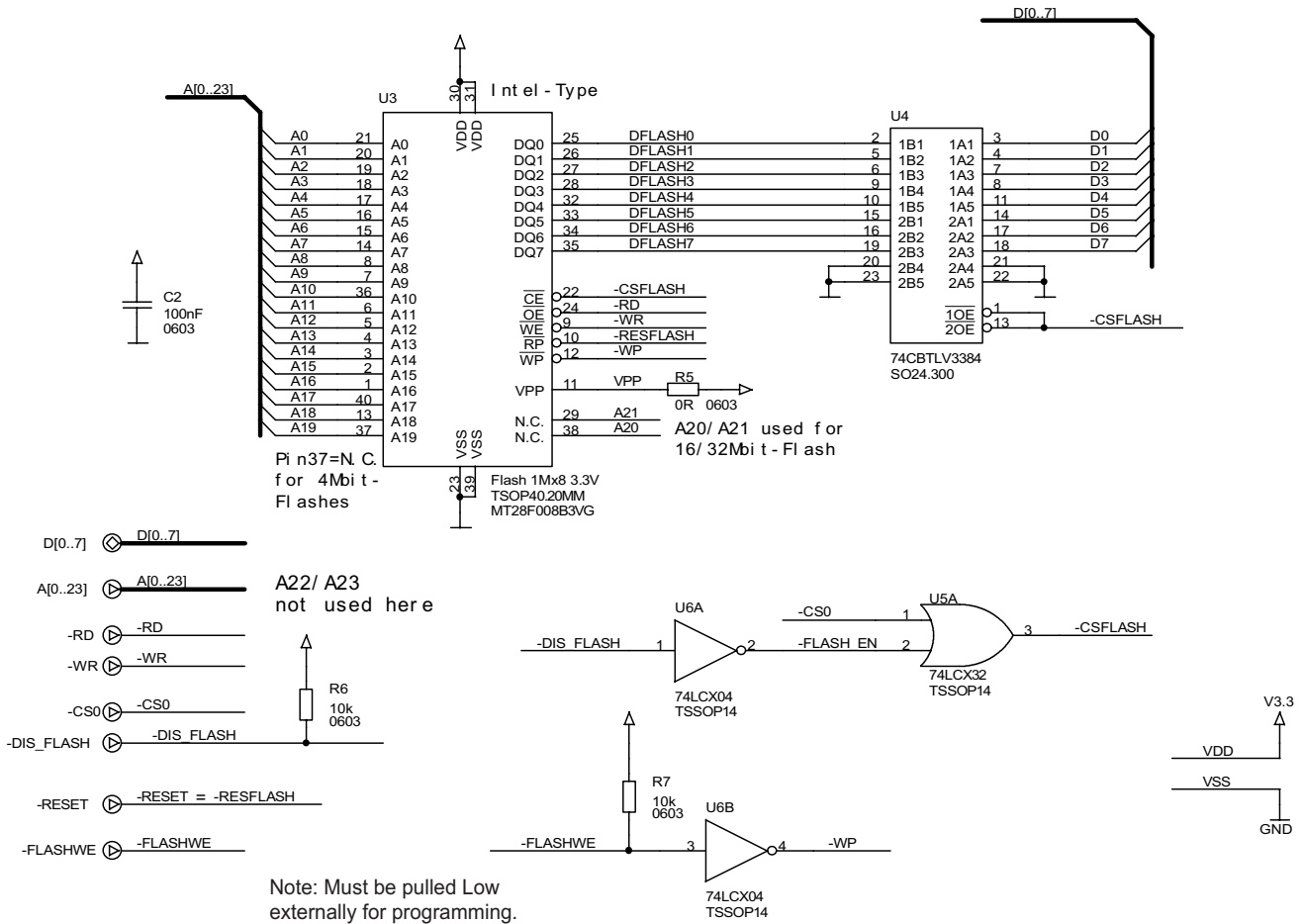


Figure 23. eZ80190 Module Schematic Diagram, #3 of 8—NOR Flash Device



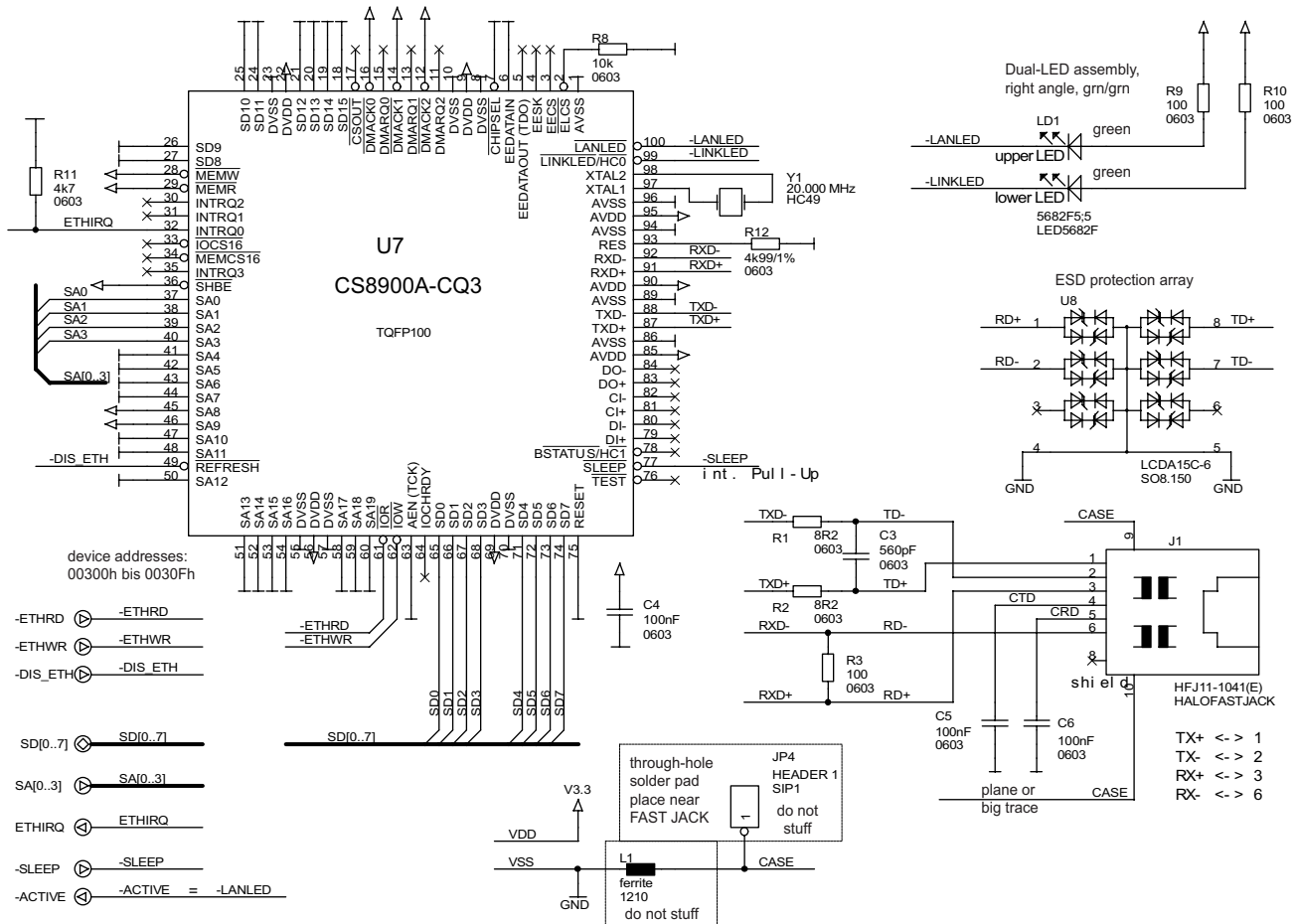


Figure 24. eZ80190 Module Schematic Diagram, #4 of 8—Ethernet Module

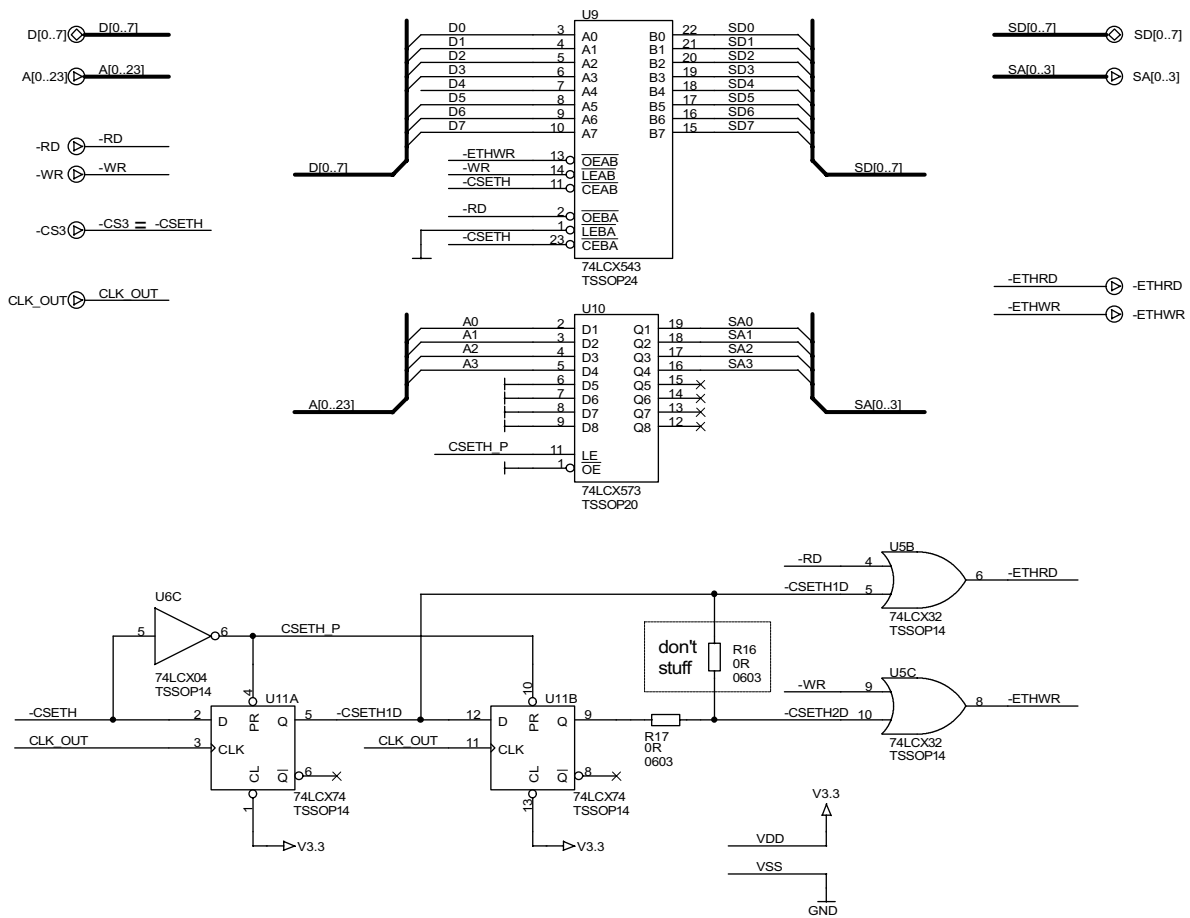
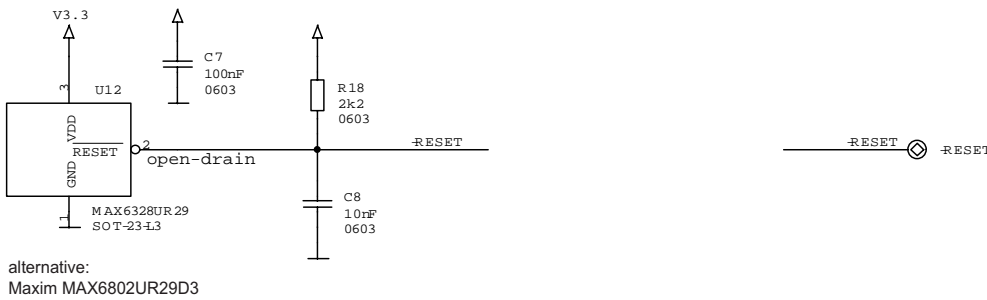


Figure 25. eZ80190 Module Schematic Diagram, #5 of 8—Ethernet Module Logic

power supervisor



real-time clock

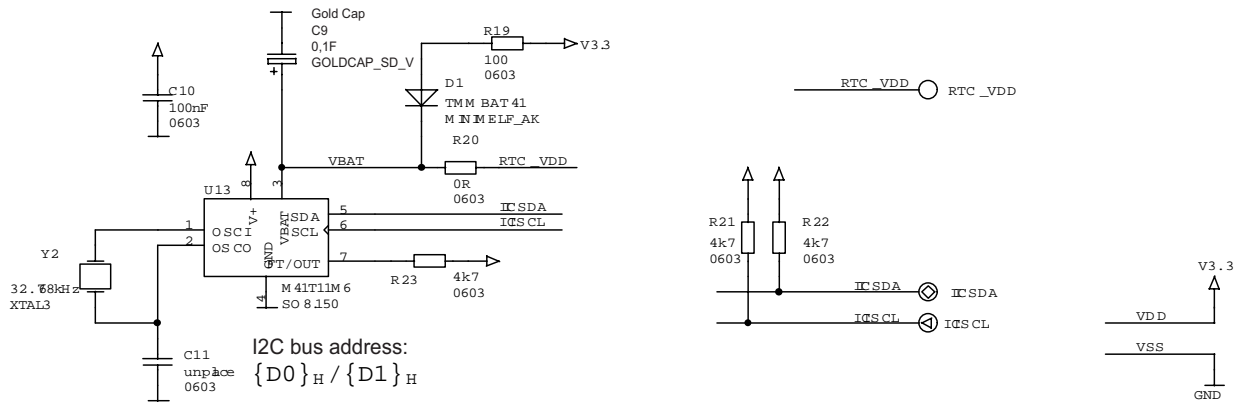


Figure 26. eZ80190 Module Schematic Diagram, #6 of 8—Ethernet Module Peripherals

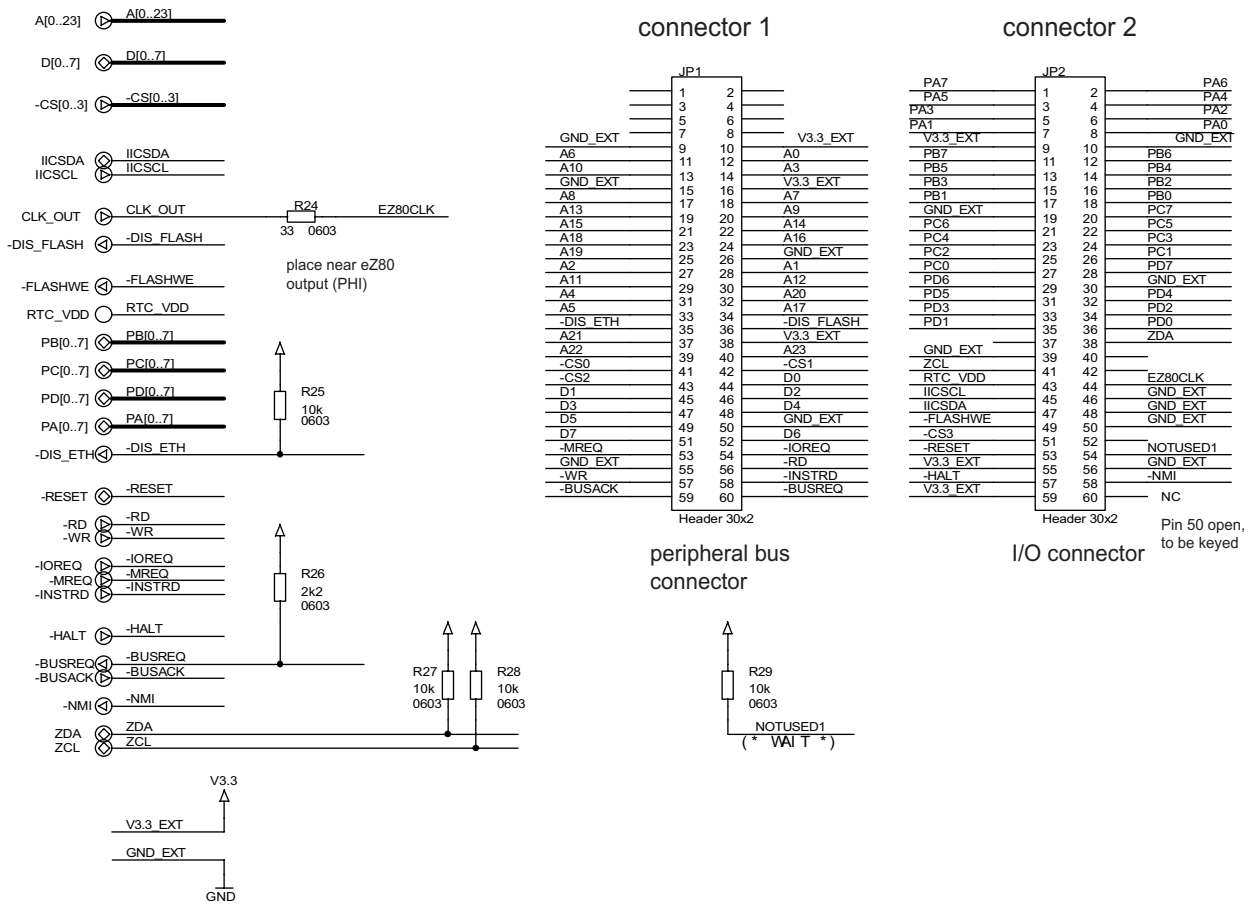


Figure 27. eZ80190 Module Schematic Diagram, #7 of 8—Headers

no power supply on board

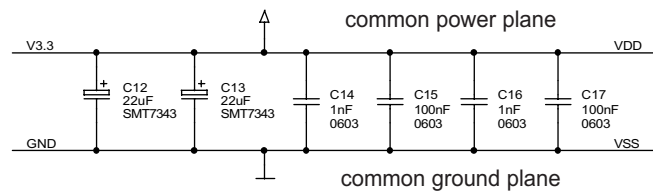
Input: VDD (= V3.3) = 3.3V ±5%

Power: Pmax = tbd

Ptyp = tbd

Current: Imax = tbd

Ityp = tbd



PCB1  
eZ80190 ethernet module board  
98Cxxxx-xxx

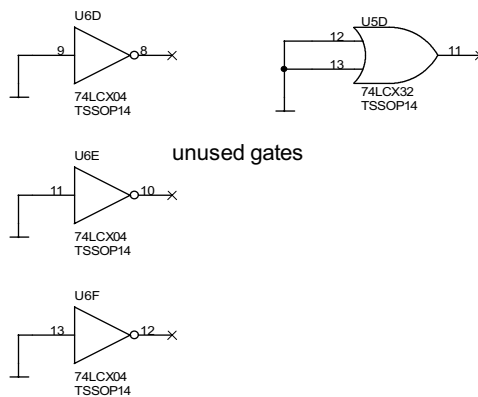


Figure 28. eZ80190 Module Schematic Diagram, #8 of 8—Power Supply



# Appendix A

## General Array Logic Equations

This appendix shows the equations for disabling the Ethernet signals provided by the U10 and U15 General Array Logic (GAL) devices.

### U10 Address Decoder

```
//`define idle      2'b00
//`define state1   2'b01
//`define state2   2'b11
//`define state3   2'b10
// FOR eZ80® Development Platform Rev B
// This PAL generates 4 memory chip selects

module l92_decod(
    nCS_EX, //Enables Extension Module's Memory when Low
    nFL_DIS, //when Low WEB Module Flash is disabled
    (nDIS_FL=0),
    //when High nDIS_FL depends upon state of
    nmemenX
    nCS0,
    A7,    //A23
    A6,    //A22
    A5,    //A21
    A4,    //A20
    A3,    //A19
    A2,    //A18
    A1,    //A17
    A0,    //A16
```



```
nCS2,  
nEX_FL_DIS, //disables Flash on the expansion module,  
when Low  
nEM_EN, //enables Development Platform LED and  
        //the general-purpose port.  
nDIS_FL, //disables E-NET Module Flash when Low  
nL_RD,  //enables local data bus to be read by CPU  
nmemen1,  
nmemen2,  
nmemen3,  
nmemen4  
);  
  
input  
  
nFL_DIS      /* synthesis loc="P4"*/,  
nCS0         /* synthesis loc="P5"*/,  
nCS2         /* synthesis loc="P3"*/, //was 23  
A7           /* synthesis loc="P6"*/,  
A6           /* synthesis loc="P7"*/,  
A5           /* synthesis loc="P9"*/,  
A4           /* synthesis loc="P10"*/,  
A3           /* synthesis loc="P11"*/,  
A2           /* synthesis loc="P12"*/,  
A1           /* synthesis loc="P13"*/,  
A0           /* synthesis loc="P16"*/,  
nEX_FL_DIS  /* synthesis loc="P2"*/;  
//input[7:0]A; upper part of Address Bus of 190  
//A23=A7,A22=A6,A21=A5,A20=A4,A19=A3  
//A18=A2,A17=A1,A16=A0
```



```

output
  nCS_EX /* synthesis loc="P17"*/,//enables memory on
  the
          //Expansion Module
  nmemen1 /* synthesis loc="P18"*/,//enables memory on
  the
          //Development Platform
  nmemen2 /* synthesis loc="P19"*/,
  nmemen3 /* synthesis loc="P20"*/,
  nmemen4 /* synthesis loc="P21"*/,
  nEM_EN /* synthesis loc="P24"*/,//enables LED and
  the
          //general-purpose port.
  nDIS_FL /* synthesis loc="P25"*/,
  nL_RD /* synthesis loc="P23"*/
  ;

wire nCS_EX,
  nmemen1,
  nmemen2,
  nmemen3,
  nmemen4;

//wire MOD_DIS =
  ((nmemen1==0) | (nmemen2==0) | (nmemen3==0) | (nmemen4==0
  ));//if any
          //of the signals is Low,
          //Flash on the Module will be
          //disabled if nDIS_FL is High

```





```
wire nEXP_EN = ~((nCS0==0)&(A7==0)&(A6==1)); //
    expansion module
        //Flash enabled if this is 0

//wire nDIS_FL = (nFL_DIS) ? ~nEXP_EN : ~(nFL_DIS);

wire nDIS_FL = nFL_DIS & nEXP_EN; //if either of them
    is 0 Flash is
        //disabled

assign nCS_EX = (nEX_FL_DIS) ? nEXP_EN :
    ~(nEX_FL_DIS);
assign nL_RD =
    ~((nmemen1==0) | (nmemen2==0) | (nmemen3==0) | (nmemen4==
    0) | (nEM_EN==0) | (nCS_EX==0));
assign nmemen4 =
    ~((nCS2==0)&({A7,A6,A5,A4,A3}==5'h17));
assign nmemen3 =
    ~((nCS2==0)&({A7,A6,A5,A4,A3}==5'h16));
assign nmemen2 =
    ~((nCS2==0)&({A7,A6,A5,A4,A3}==5'h15));
assign nmemen1 =
    ~((nCS2==0)&({A7,A6,A5,A4,A3}==5'h14));
assign nEM_EN =
    ~((nCS2==0)&({A7,A6,A5,A4,A3,A2,A1,A0}==8'h80));
endmodule
```

## U15 Address Decoder

```
`define    anode    8'h00
`define    cathode 8'h01
`define    latch    8'h02
// FOR eZ80® Development Platform Rev B
```



```
// This PAL generates signals that control Expansion
Module
// access, LED and the general-purpose port.
// This device is a GAL22LV10-5JC (5ns tpd) or
equivalent with
// Package = 28 pin PLCC
//
//

module l92_em_pal(
    nDIS_EM,
    nEM_EN,
    A0,
    A1,
    A2,
    A3,
    A4,
    A5,
    A6,
    A7,
    nRD,
    nCS,
    nWR,
    nMEMRQ,
    nIORQ,
    nEM_RD,
    nEM_WR,
    nAN_WR,
    nCT_WR,
    nDIS_ETH
```



```
);

input      nDIS_EM /* synthesis loc="P3"*/,
          nEM_EN  /* synthesis loc="P4"*/,
          A0     /* synthesis loc="P5"*/,
          A1     /* synthesis loc="P6"*/,
          A2     /* synthesis loc="P10"*/,
          A3     /* synthesis loc="P11"*/,
          A4     /* synthesis loc="P12"*/,
          A5     /* synthesis loc="P13"*/,
          A6     /* synthesis loc="P27"*/,
          A7     /* synthesis loc="P26"*/,
          nIORQ  /* synthesis loc="P2"*/,
          nRD    /* synthesis loc="P7"*/,
          nCS    /* synthesis loc="P25"*/, //CS3 for CS9800
          nWR    /* synthesis loc="P9"*/,
          nMEMRQ /* synthesis loc="P16"*/;

output
          nEM_RD /* synthesis loc="P17"*/,
          nEM_WR /* synthesis loc="P18"*/,
          nCT_WR /* synthesis loc="P19"*/,
          nAN_WR /* synthesis loc="P20"*/,
          nDIS_ETH /* synthesis loc="P21"*/;

parameter anode=8'h00;
parameter cathode=8'h01;
parameter latch=8'h02;
```



```
wire [7:0] address={A7,A6,A5,A4,A3,A2,A1,A0};

assign nEM_WR =
    ~((nDIS_EM==1)&(nWR==0)&(nEM_EN==0)&(address==latch
    ));

assign nEM_RD =
    ~((nDIS_EM==1)&(nRD==0)&(nEM_EN==0)&(address==latch
    ));

assign nAN_WR =
    ~((nDIS_EM==1)&(nWR==0)&(nEM_EN==0)&(address==anode
    ));

assign nCT_WR =
    ~((nDIS_EM==1)&(nWR==0)&(nEM_EN==0)&(address==cathode));

assign nDIS_ETH = ~(nCS);
endmodule
```

**eZ80190 Development Kit  
User Manual**



81



# Customer Feedback Form

If you note any inaccuracies while reading this User Manual, please copy and complete this form, then mail or fax it to ZiLOG (see *Return Information*, below). We also welcome your suggestions!

---

eZ80190 Development Kit

---

Serial # or Board Fab #/Rev. #

---

Software Version

---

Document Number

---

Host Computer Description/Type

---

## Customer Information

---

Name	Country
------	---------

---

Company	Phone
---------	-------

---

Address	Fax
---------	-----

---

City/State/Zip	E-Mail
----------------	--------

---

## Return Information

ZiLOG

System Test/Customer Support

532 Race Street

San Jose, CA 95126

Phone: (408) 558-8500

Fax: (408) 558-8536

[ZiLOG Customer Support](#)

## Problem Description or Suggestion

Provide a complete description of the problem or your suggestion. If you are reporting a specific problem, include all steps leading up to the occurrence of the problem. Attach additional pages as necessary.

---

---

---

---

---

---

