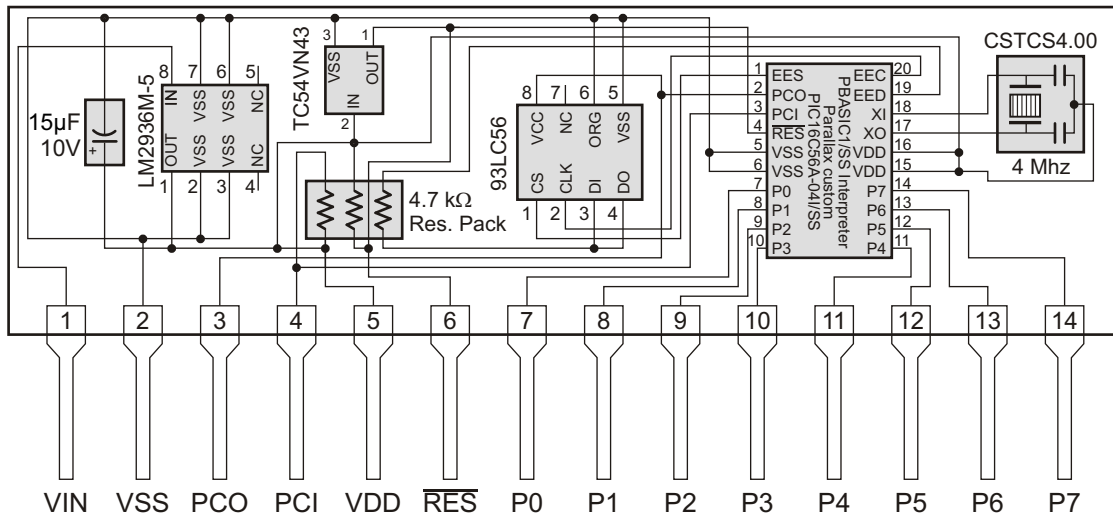


BASIC Stamp[®] BS1-IC Module Schematic Rev. B

Updated 10-5-04 © Parallax, Inc.



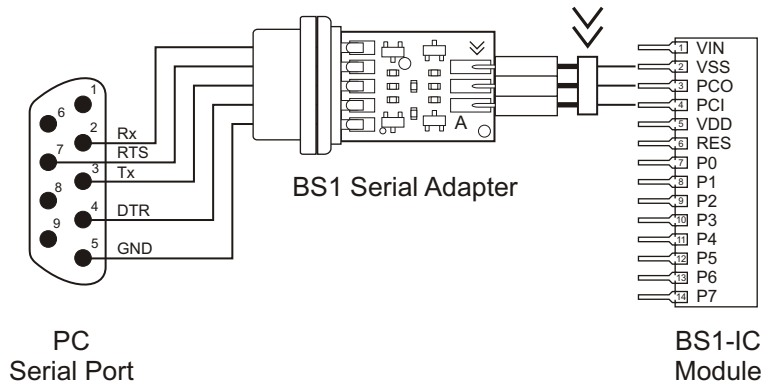
Notes:

The 15µF, 10V capacitor may be a 10-22µF, 6.3-16V tantalum capacitor.

The 93LC56 EEPROM may be a 93LC56A, 93LC66 or 93LC66A.

The 4 MHz resonator is not polarity sensitive and the middle pin can be connected to either VDD or VSS.

The PBASIC/SS Interpreter chip may be a commercial PIC16C56A-04/SS or an industrial PIC16C56A-04I/SS



PC
Serial Port

BS1-IC
Module