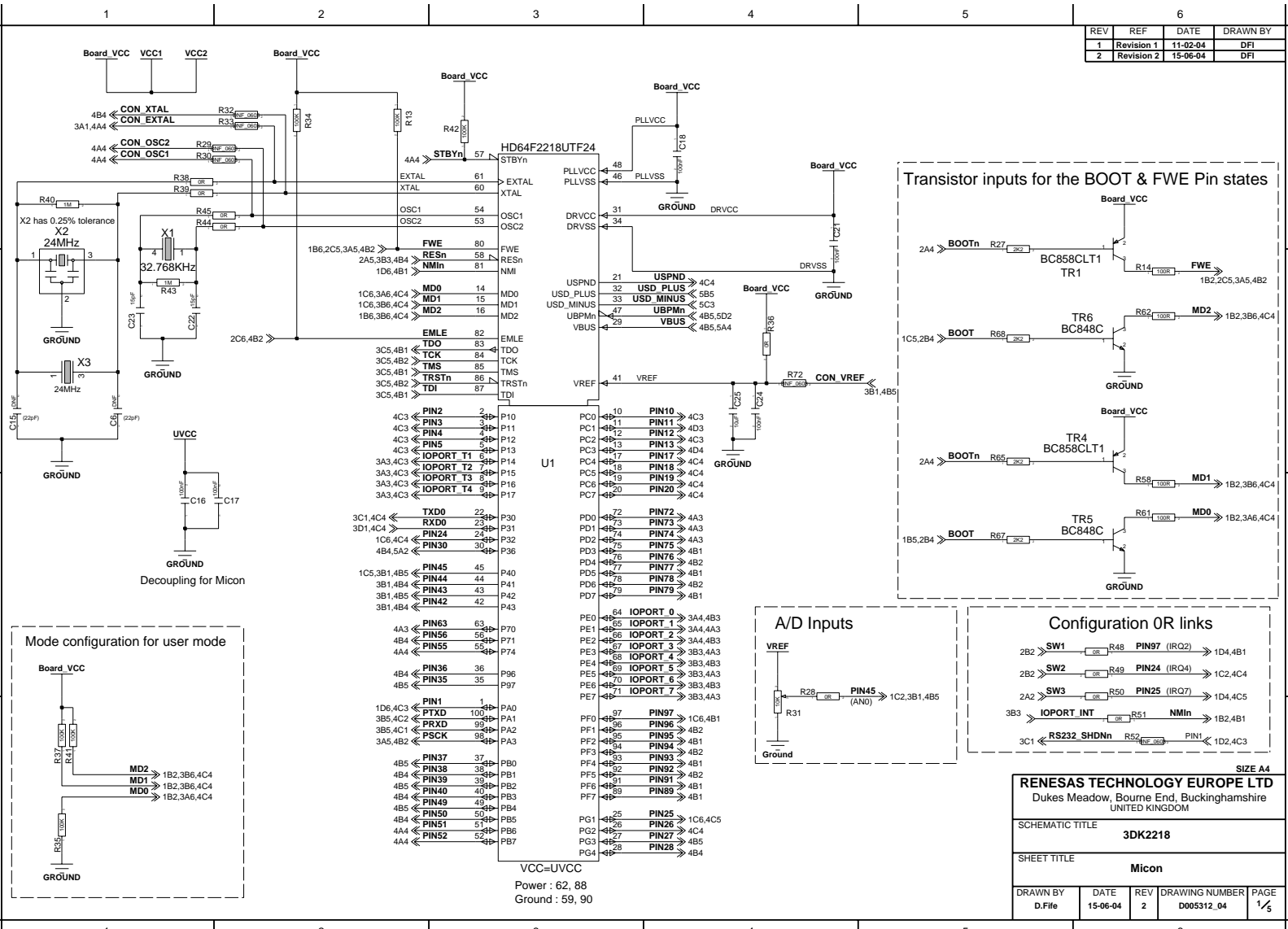
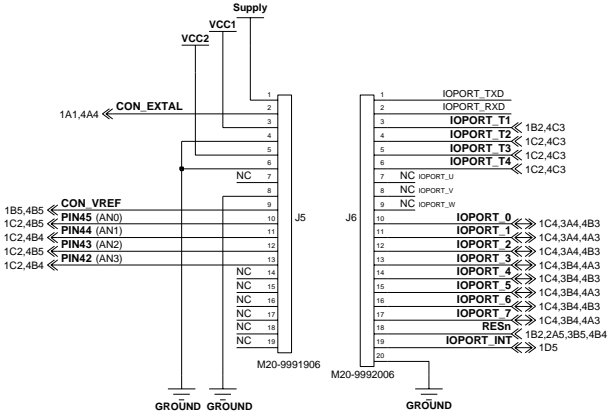


REV	REF	DATE	DRAWN BY
1	Revision 1	11-02-04	DFI
2	Revision 2	15-06-04	DFI

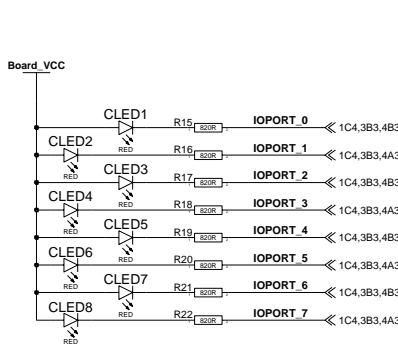




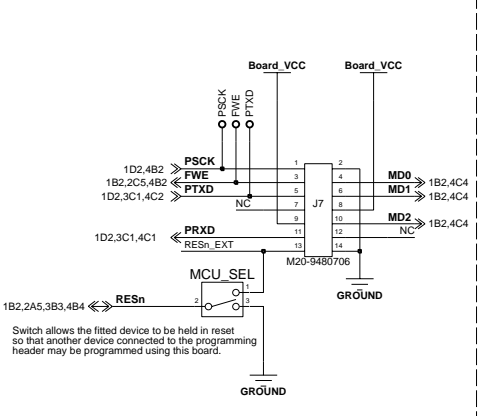
## GENERIC HEADERS



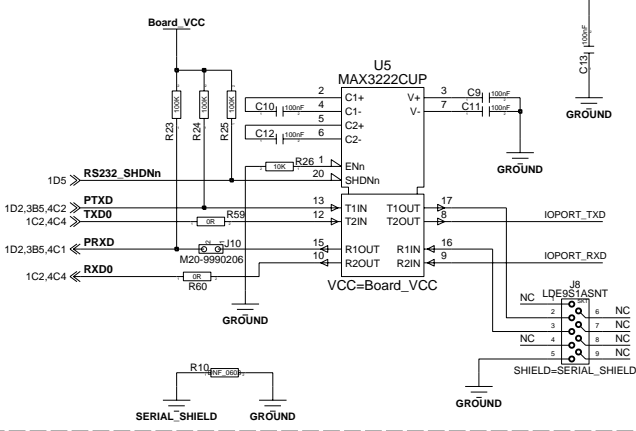
## LEDs



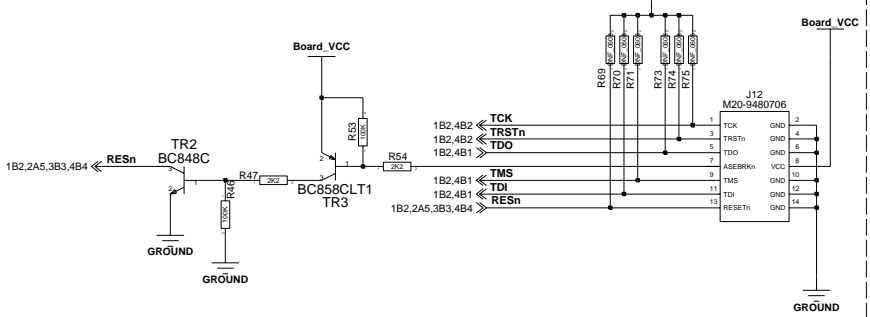
## FLASH PROGRAMMING



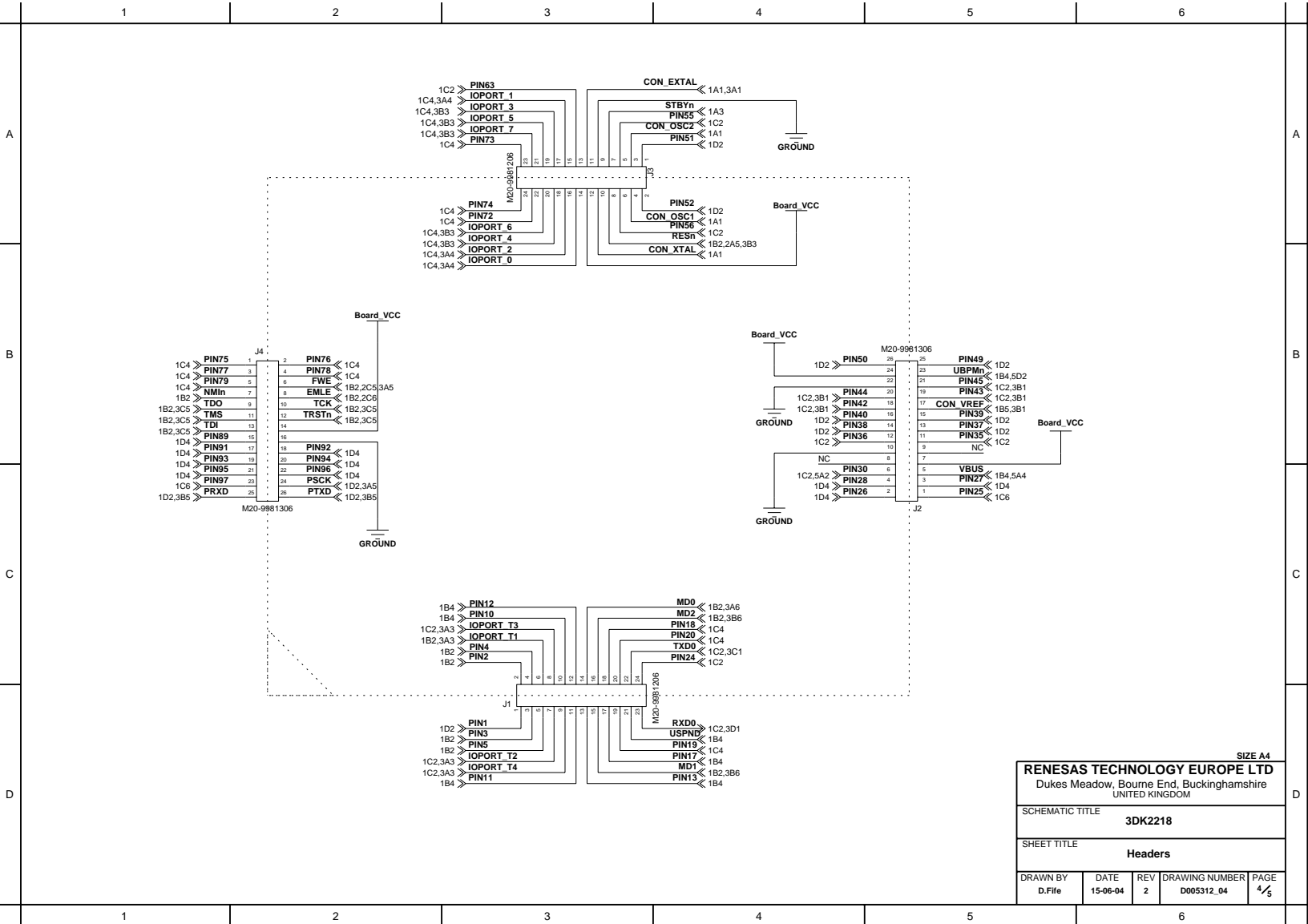
## SERIAL PORT



## E10A



<b>RENESAS TECHNOLOGY EUROPE LTD</b> Dukes Meadow, Bourne End, Buckinghamshire UNITED KINGDOM					
SCHEMATIC TITLE		3DK2218			
SHEET TITLE					
<b>Generic &amp; Flash Connector                  LEDs &amp; Serial Port</b>					
DRAWN BY	DATE	REV	DRAWING NUMBER	PAGE	
D.File	15-06-04	2	D005312_04	3/5	

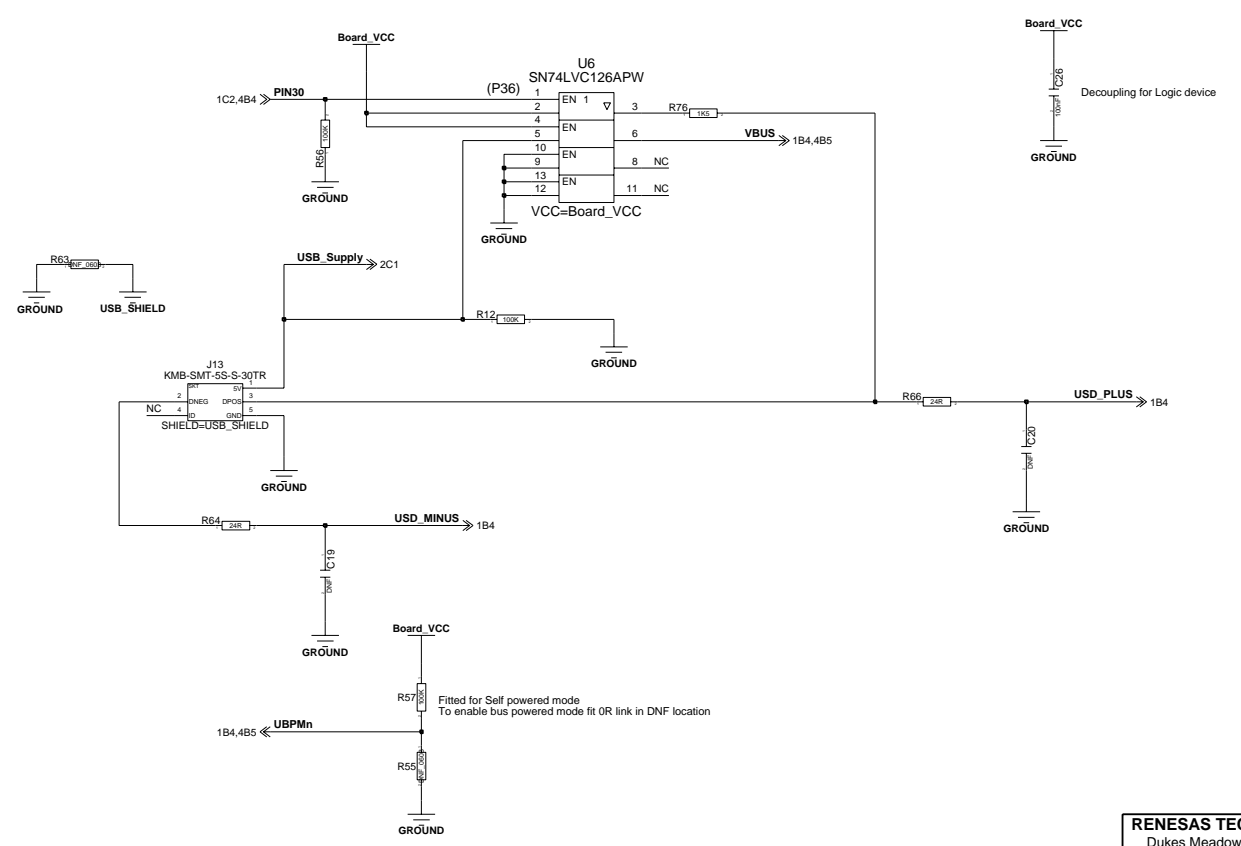


SIZE A4

**RENESAS TECHNOLOGY EUROPE LTD**  
 Dukes Meadow, Bourne End, Buckinghamshire  
 UNITED KINGDOM

SCHEMATIC TITLE		3DK2218		
SHEET TITLE				
<b>Headers</b>				
DRAWN BY	DATE	REV	DRAWING NUMBER	PAGE
D.File	15-06-04	2	D005312_04	4/5

1 2 3 4 5 6



SIZE A4

<b>RENESAS TECHNOLOGY EUROPE LTD</b> Dukes Meadow, Bourne End, Buckinghamshire UNITED KINGDOM				
SCHEMATIC TITLE		3DK2218		
SHEET TITLE				
<b>USB Circuitry</b>				
DRAWN BY	DATE	REV	DRAWING NUMBER	PAGE
D.File	15-06-04	2	D005312_04	5/5

1 2 3 4 5 6