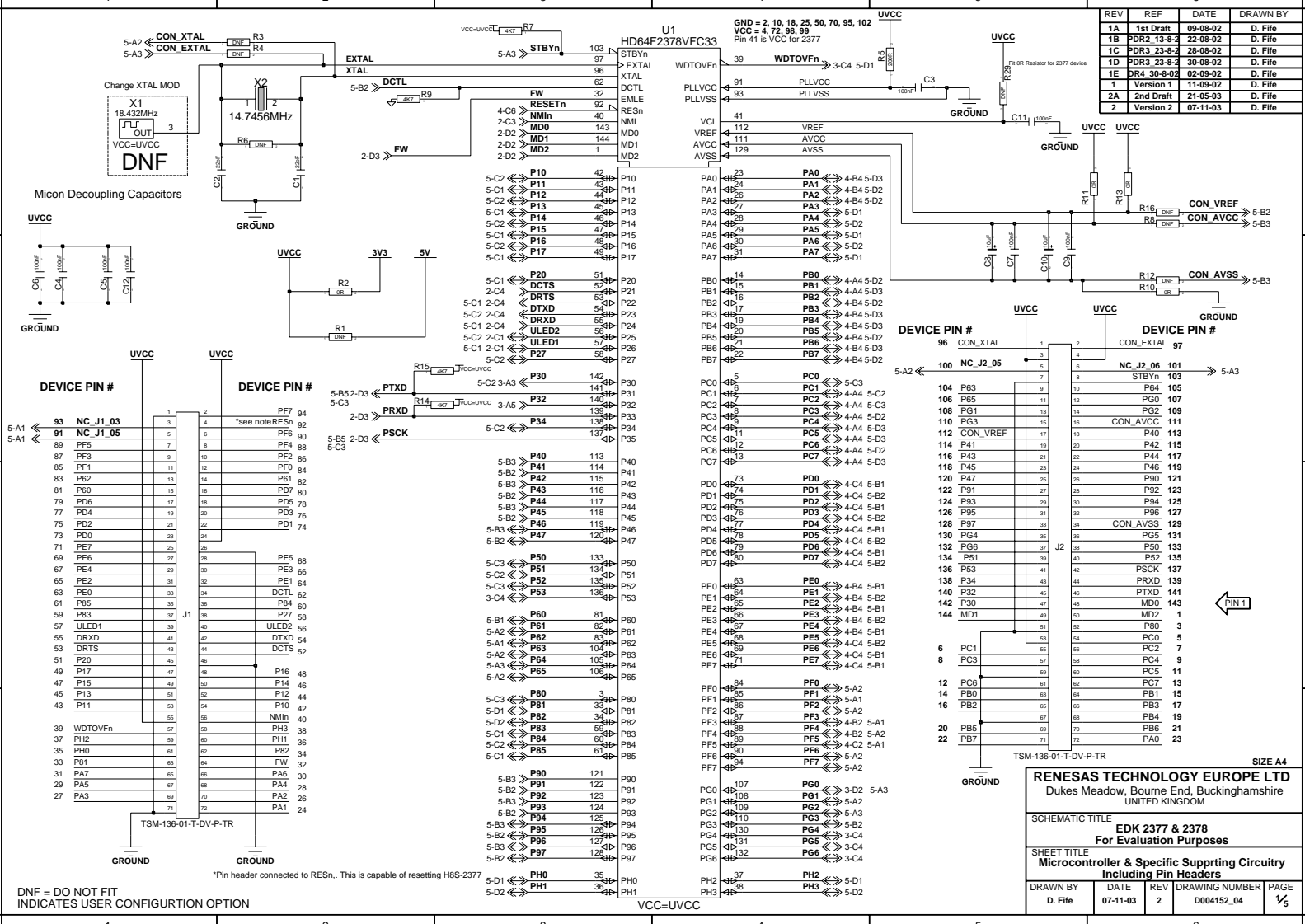


REV	REF	DATE	DRAWN BY
1A	1st Draft	09-08-02	D. File
1B	PDR2 13-B-2	22-08-02	D. File
1C	PDR3 23-B-2	28-08-02	D. File
1D	PDR3 23-B-2	30-08-02	D. File
1E	DR4 30-B-02	02-09-02	D. File
1	Version 1	11-09-02	D. File
2A	2nd Draft	21-05-03	D. File
2	Version 2	07-11-03	D. File



DNF = DO NOT FIT
INDICATES USER CONFIGURATION OPTION

1	2	3	4	5	6
---	---	---	---	---	---

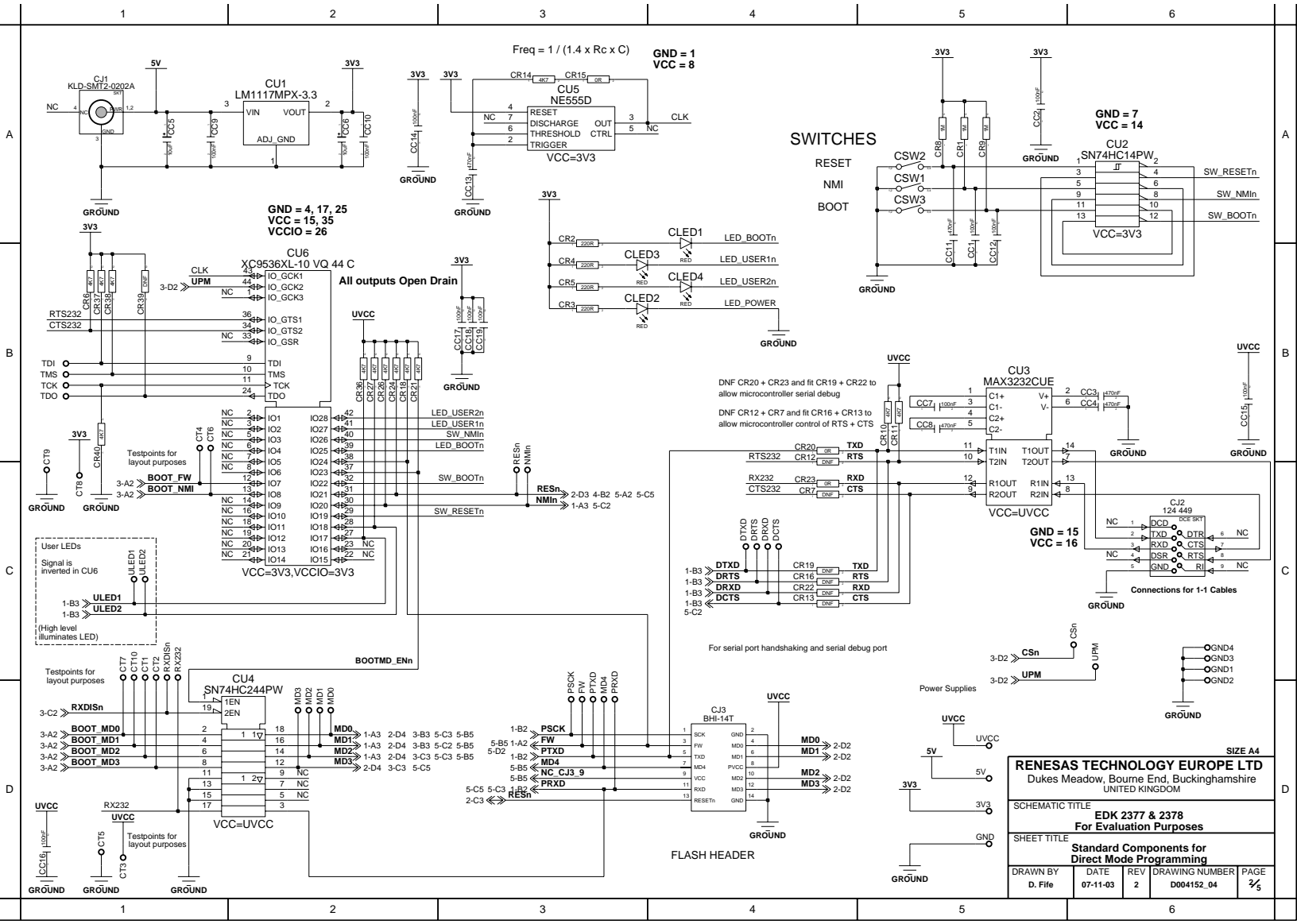
RENASAS TECHNOLOGY EUROPE LTD
Dukes Meadow, Bourne End, Buckinghamshire
UNITED KINGDOM

SIZE A4

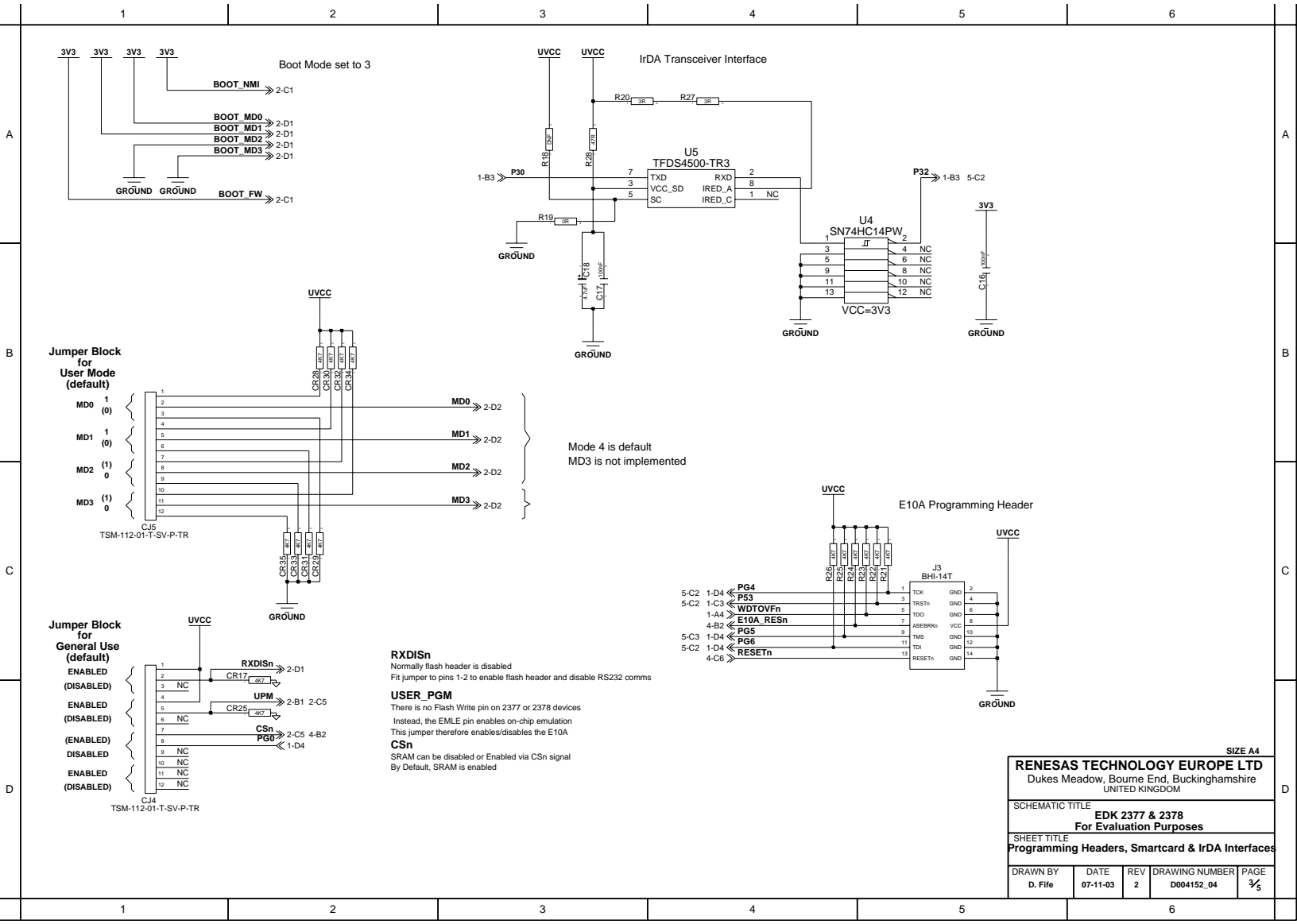
SHEET TITLE: **Microcontroller & Specific Supporting Circuitry Including Pin Headers**

SCHEMATIC TITLE: **EDK 2377 & 2378 For Evaluation Purposes**

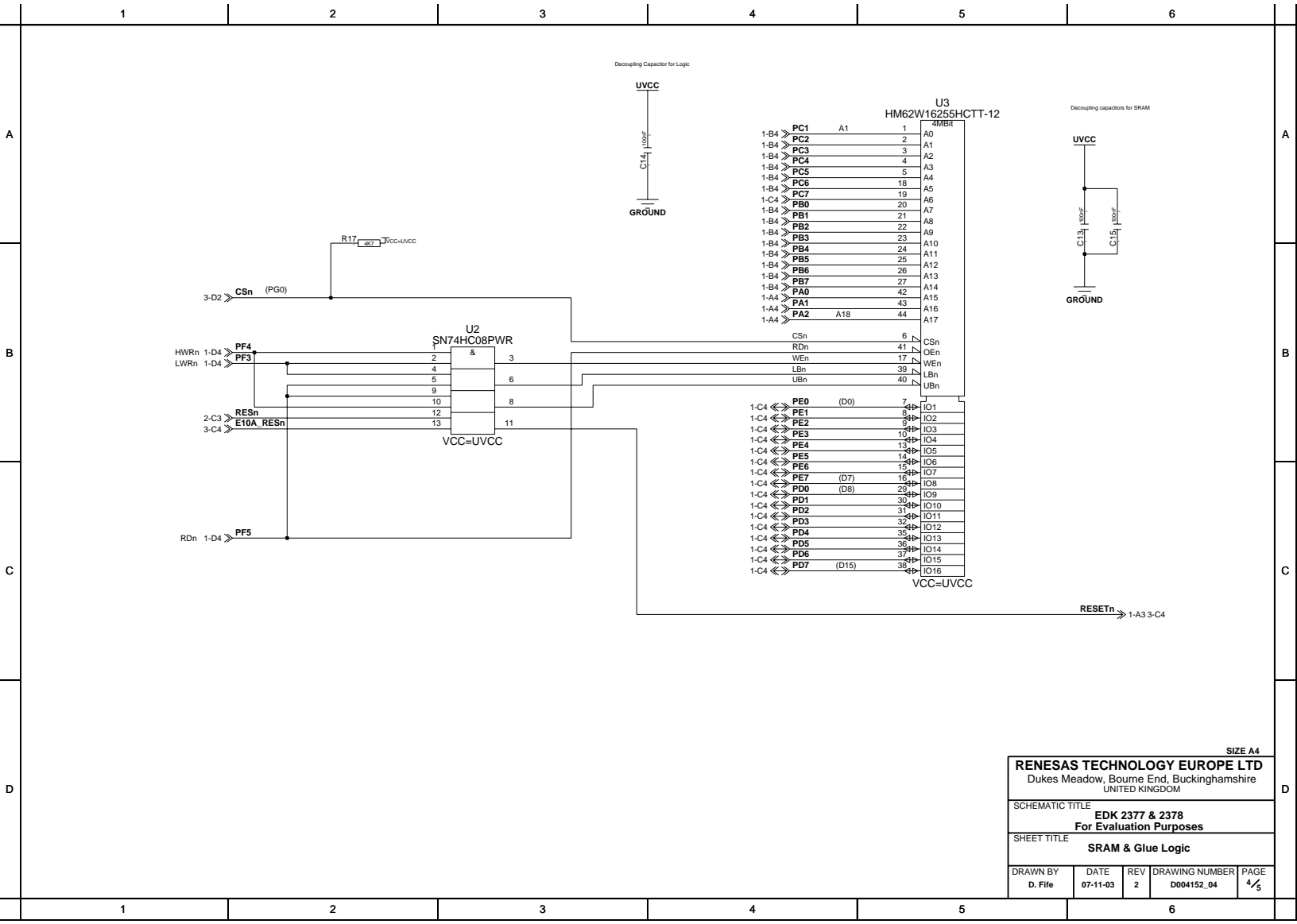
DRAWN BY	DATE	REV	DRAWING NUMBER	PAGE
D. File	07-11-03	2	D004152_04	1/5



SIZE A4			
RENESAS TECHNOLOGY EUROPE LTD			
Dukes Meadow, Bourne End, Buckinghamshire UNITED KINGDOM			
SCHEMATIC TITLE		EDK 2377 & 2378	
For Evaluation Purposes			
SHEET TITLE			
Standard Components for Direct Mode Programming			
DRAWN BY	DATE	REV	DRAWING NUMBER
D. File	07-11-03	2	D004152_04
PAGE		PAGE	
2/5		2/5	



SIZE A4				
RENESAS TECHNOLOGY EUROPE LTD Dukes Meadow, Bourne End, Buckinghamshire UNITED KINGDOM				
SCHEMATIC TITLE				
EDK 2377 & 2378 For Evaluation Purposes				
SHEET TITLE				
Programming Headers, Smartcard & IrDA Interfaces				
DRAWN BY	DATE	REV	DRAWING NUMBER	PAGE
D. Fife	07-11-03	2	D004152_04	3/5



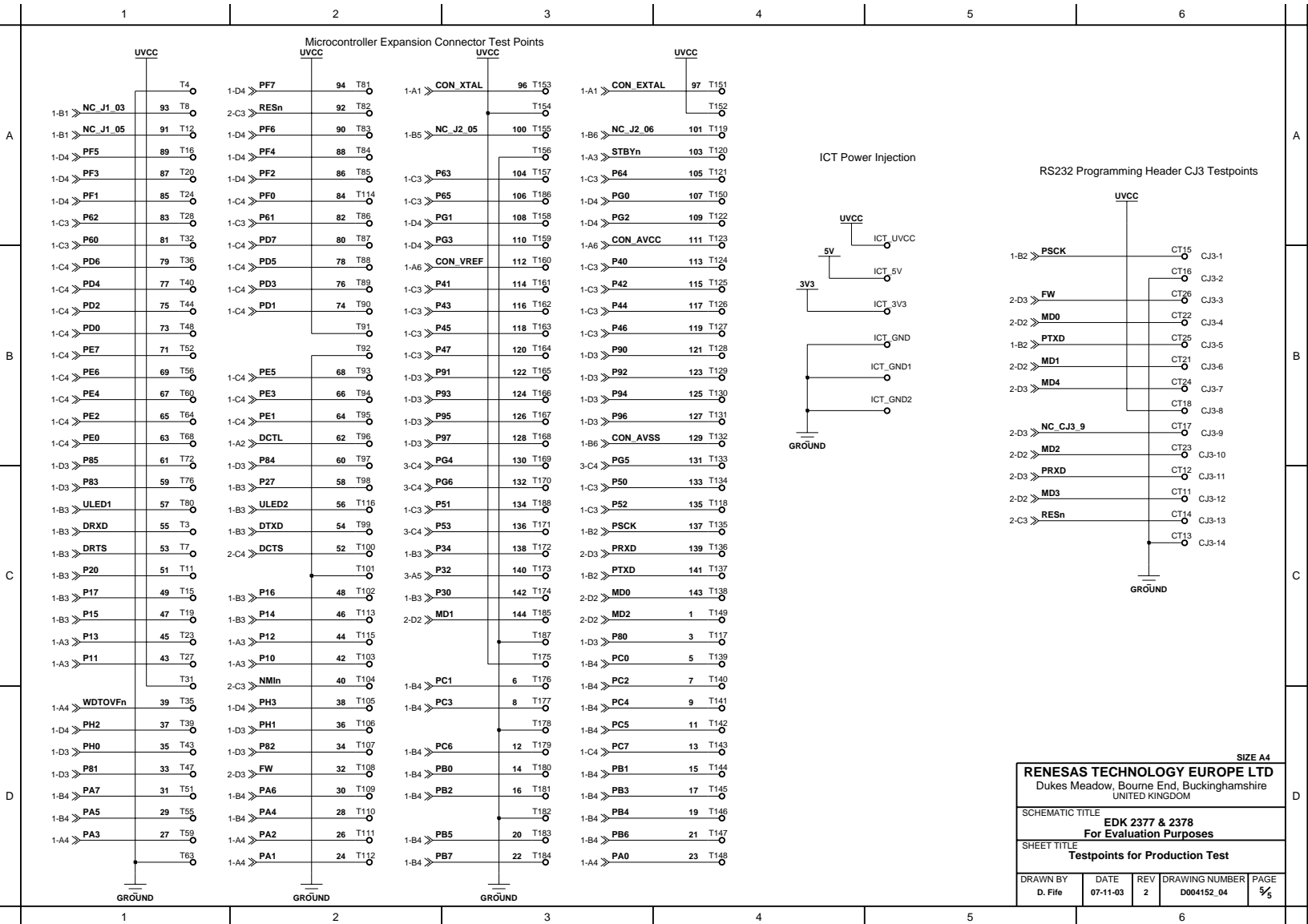
SIZE A4

RENESAS TECHNOLOGY EUROPE LTD
 Dukes Meadow, Bourne End, Buckinghamshire
 UNITED KINGDOM

SCHEMATIC TITLE **EDK 2377 & 2378**
For Evaluation Purposes

SHEET TITLE **SRAM & Glue Logic**

DRAWN BY D. File	DATE 07-11-03	REV 2	DRAWING NUMBER D004152_04	PAGE 4/5
---------------------	------------------	----------	------------------------------	-------------



SIZE A4

RENESAS TECHNOLOGY EUROPE LTD
 Dukes Meadow, Bourne End, Buckinghamshire
 UNITED KINGDOM

SCHEMATIC TITLE: **EDK 2377 & 2378**
 For Evaluation Purposes

SHEET TITLE: **Testpoints for Production Test**

DRAWN BY D. File	DATE 07-11-03	REV 2	DRAWING NUMBER D004152_04	PAGE 9/9
---------------------	------------------	----------	------------------------------	-------------