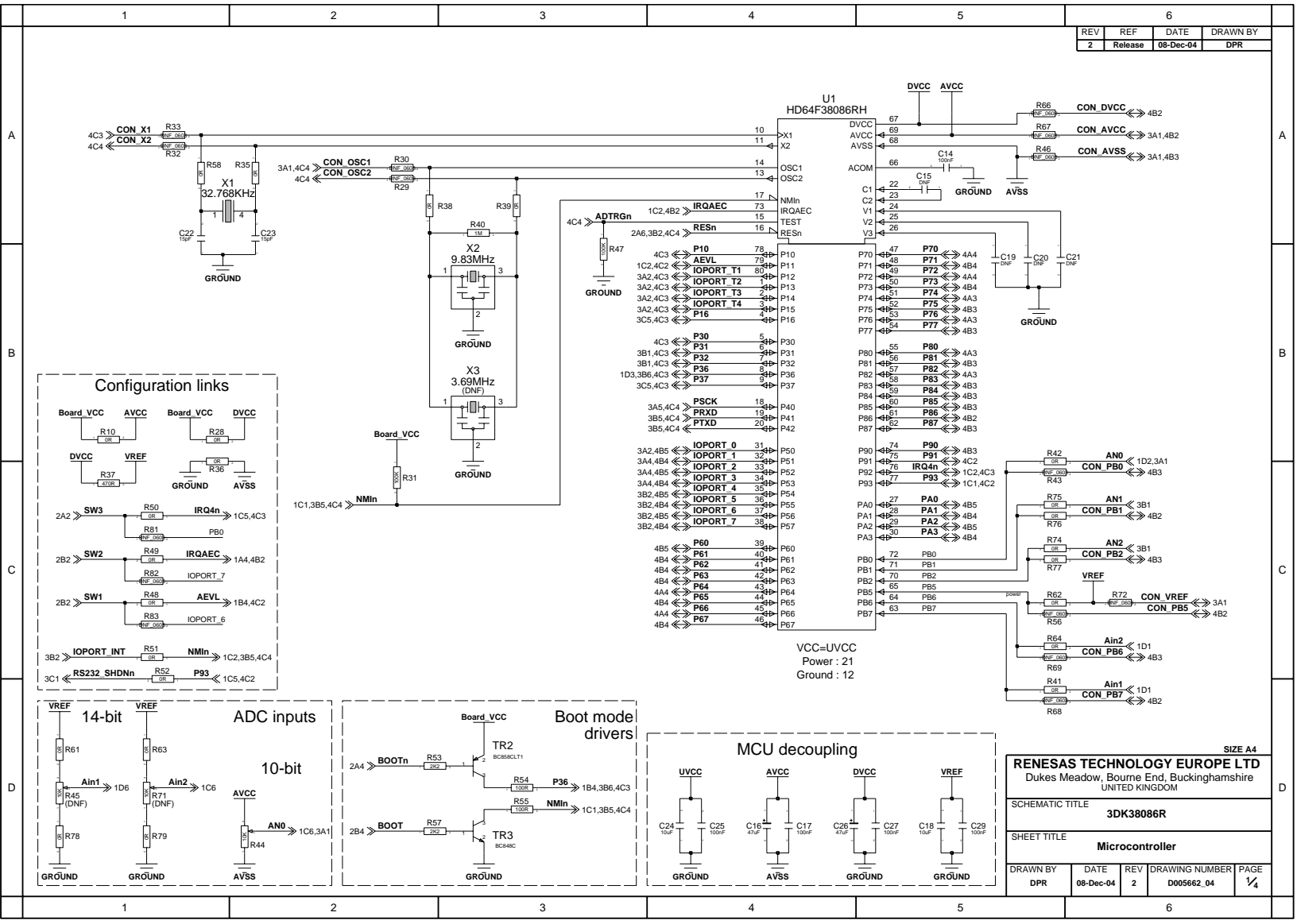
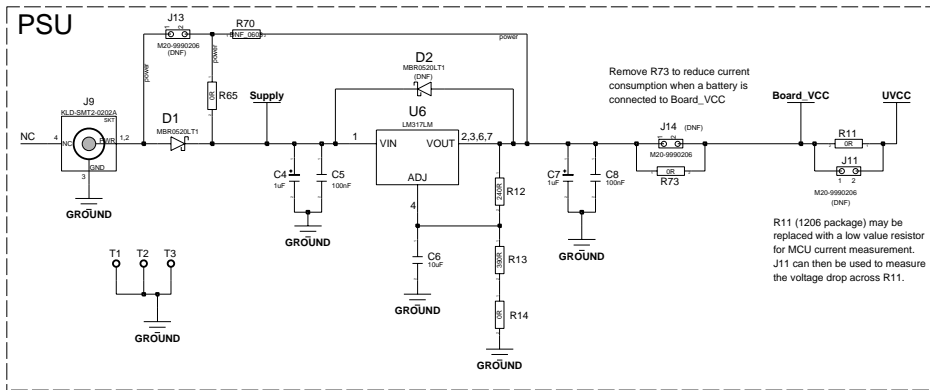
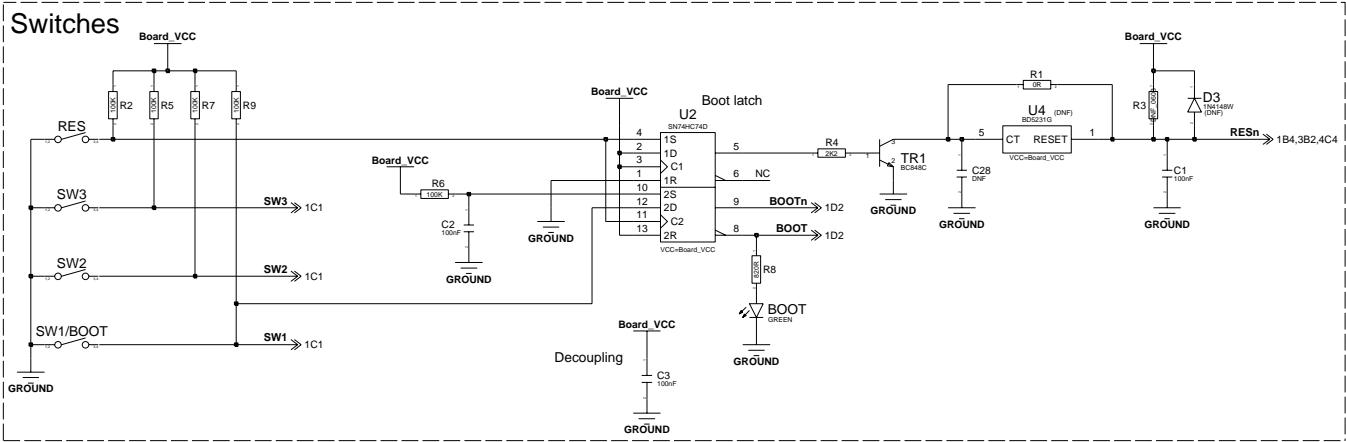


REV	REF	DATE	DRAWN BY
2	Release	08-Dec-04	DPR

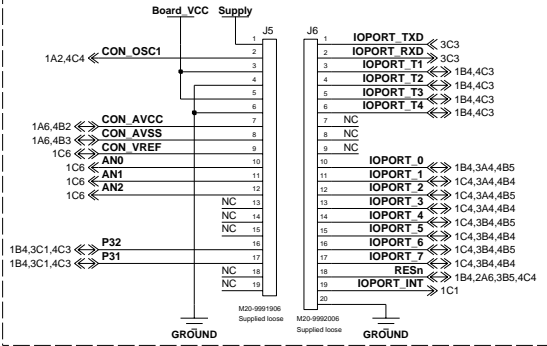


SIZE A4			
<b>RENESAS TECHNOLOGY EUROPE LTD</b>			
Dukes Meadow, Bourne End, Buckinghamshire UNITED KINGDOM			
SCHEMATIC TITLE			
<b>3DK38086R</b>			
SHEET TITLE			
<b>Microcontroller</b>			
DRAWN BY	DATE	REV	DRAWING NUMBER
DPR	08-Dec-04	2	D005662_04
			PAGE
			1/4

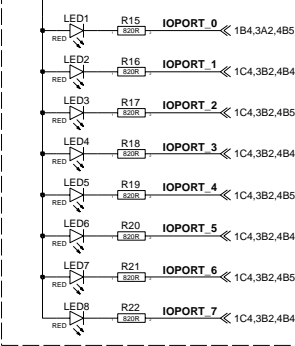


SIZE A4				
<b>RENESAS TECHNOLOGY EUROPE LTD</b> Dukes Meadow, Bourne End, Buckinghamshire UNITED KINGDOM				
SCHEMATIC TITLE		3DK38086R		
SHEET TITLE				
Switches and PSU				
DRAWN BY	DATE	REV	DRAWING NUMBER	PAGE
DPR	08-Dec-04	2	D005662_04	4

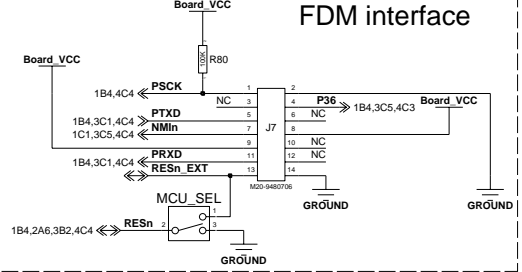
### Generic headers



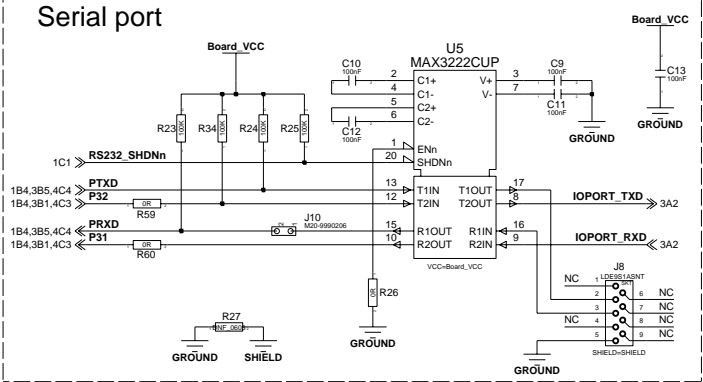
### LEDs



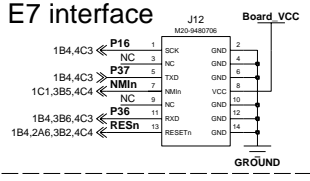
### FDM interface



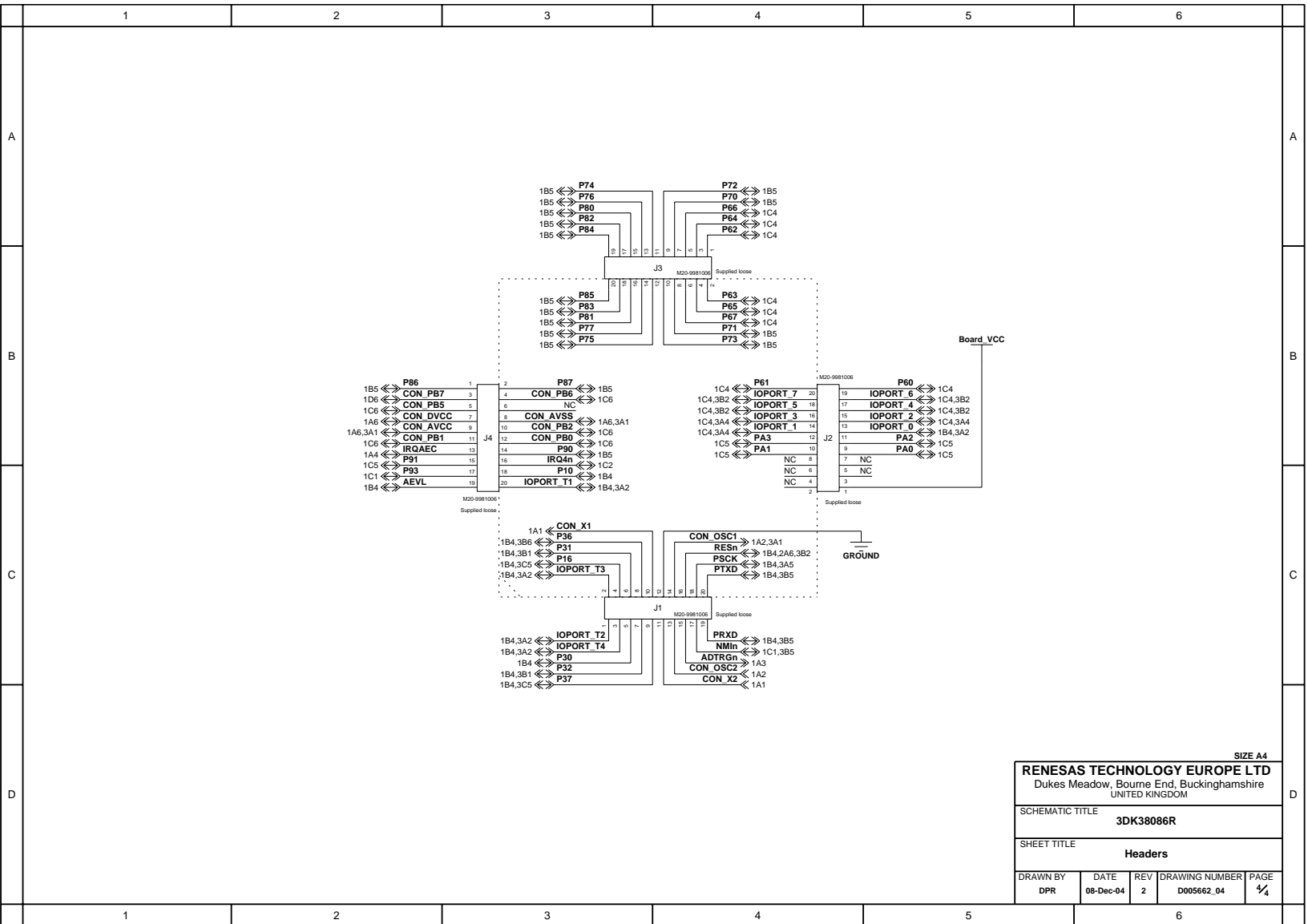
### Serial port



### E7 interface



SIZE A4				
<b>RENESAS TECHNOLOGY EUROPE LTD</b> Dukes Meadow, Bourne End, Buckinghamshire UNITED KINGDOM				
SCHEMATIC TITLE		3DK38086R		
SHEET TITLE				
<b>Generic &amp; FLASH connector, LEDs &amp; Serial Port</b>				
DRAWN BY	DATE	REV	DRAWING NUMBER	PAGE
DPR	08-Dec-04	2	D005662_04	3/4



SIZE A4				
<b>RENESAS TECHNOLOGY EUROPE LTD</b> Dukes Meadow, Bourne End, Buckinghamshire UNITED KINGDOM				
SCHEMATIC TITLE		3DK38086R		
SHEET TITLE				
Headers				
DRAWN BY	DATE	REV	DRAWING NUMBER	PAGE
DPR	08-Dec-04	2	D005662_04	4