



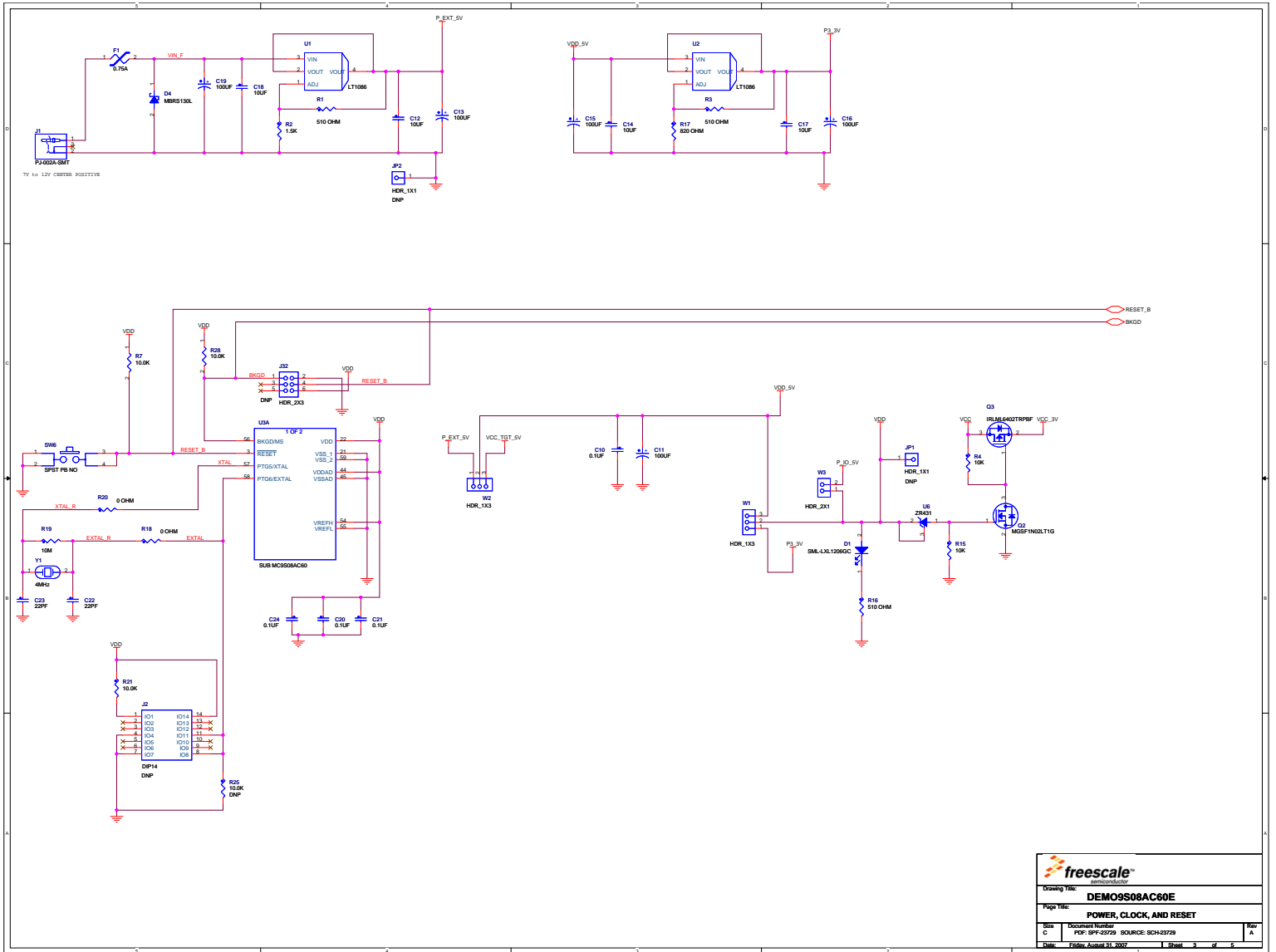
Table of Contents	
2	Notes
3	Power, Clock, and Reset
4	User Functions
5	USB to BDM Reference Block

Revisions			
Rev	Description	Date	Approved
A	Original Release	08/31/07	DK

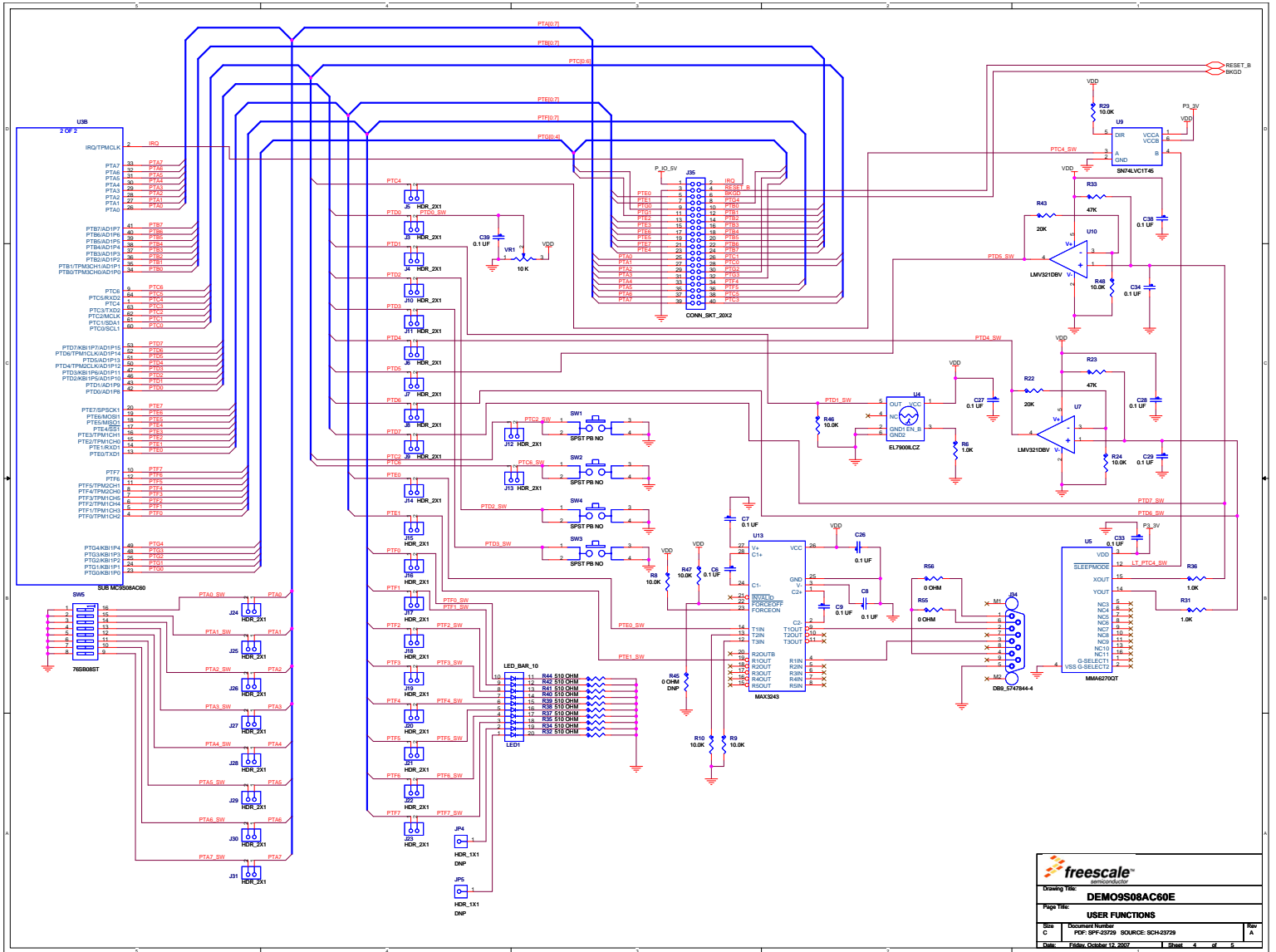
		Transportation & Standard Products Group 6501 William Cannon Drive West Austin, TX 78748-6000	
<small>The document contains information proprietary to Freescale Semiconductor and shall not be used for engineering design, procurement or manufacture in whole or in part without the express written permission of Freescale Semiconductor.</small>			
<small>Designer:</small> DANIEL KRUCZEK	<small>Drawing Title:</small> DEMO9S08AC60E	<small>Drawn by:</small> DANIEL KRUCZEK	
<small>Approved:</small> DANIEL KRUCZEK		<small>Page Title:</small> TITLE PAGE	
<small>Sheet:</small> C	<small>Document Number:</small> POP-999-0209 SOURCE: 924-29720	<small>Rev:</small> A	<small>Date:</small> Friday, August 31, 2007
<small>Sheet:</small> 1 of 5		<small>Sheet:</small> 1 of 5	

1. Unless Otherwise Specified:
 All resistors are in ohms, 5%, 1/8 Watt
 All capacitors are in uF, 20%, 50V
 All voltages are DC
 All polarized capacitors are aluminum electrolytic
2. Interrupted Lines coded with the same letter or letter combinations are electrically connected.
3. Device type number is for reference only. The number varies with the manufacturer.
4. Special signal usage:
 _B Denotes - Active-Low Signal
 <-> or [] Denotes - Vectored Signals
5. Interpret diagram in accordance with American National Standards Institute specifications, current revision, with the exception of logic block symbology.

	
Drawing Title: DEMO9S08AC60E	
Page Title: NOTES	
Rev	Documen Number
C	PDF: SP0-0295 SOURCE: SCH-0279
Date:	Editer: August 31, 2007 Sheet: 2 of 5



freescale Semiconductor	
Drawing Title: DEMO9S08AC60E	
Page Title: POWER, CLOCK, AND RESET	
Rev: C	Docuement Number: PDR-09S08020 SOURCE: SCH-23729
Date: Fri, August 31, 2007	I Sheet: 3 of 5



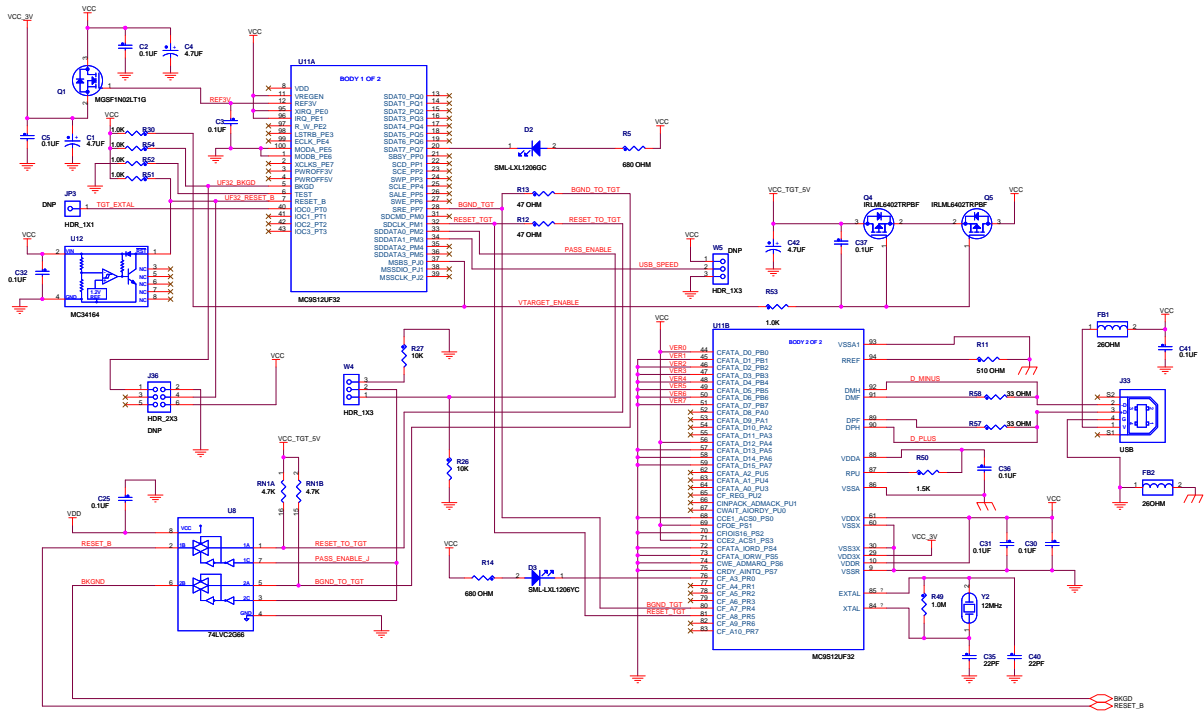
freescale
 Semiconductor

Drawing Title: **DEMO9S08AC60E**

Page Title: **USER FUNCTIONS**

Rev	Description	Doc. Number	Source
C	PSR: 9S08AC60E	PSR: 9S08AC60E	SCM-20729

Date: **Feb. 03/04/12 2007** | Sheet: **4** of **5**



freescale SEMICONDUCTOR	
Drawing Title: DEMO9S08AC60E	
USB TO BDM REFERENCE BLOCK	
Sheet: C	Page: 1
Doc. Title: USB TO BDM REFERENCE BLOCK	
Doc. Number: PS-98-0203 SOURCE: SCH-20709	
Date: Thursday, September 27, 2007 Sheet: 5 of 5	