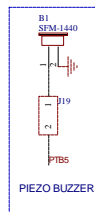
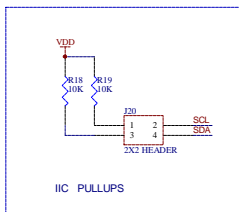
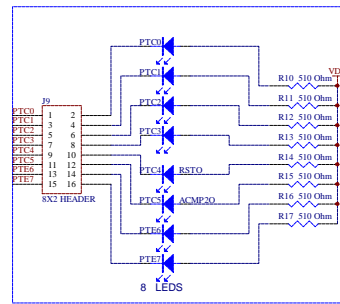
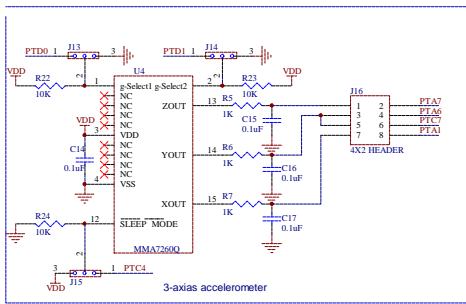


Copyright (C) 2007, P&E Microcomputer Systems, Inc.

P&E Microcomputer Systems, Inc. 98 Galen Street, Floor 2 Wareham, MA 02472 USA			
DEMOQOE Base Board Schematic			
Size B	FCSM No.	DWG No.	Rev B
Scale	Sheet 1 of 3		



MCU_PORT_VDD	J1	PTA5/IRQ/TPMICLK/RESET	2	RESET
	1	PTA5/IRQ/TPMICLK/RESET	4	RESET
	2	PTA5/IRQ/TPMICLK/RESET	6	RESET
	3	PTA5/IRQ/TPMICLK/RESET	8	RESET
	4	PTA5/IRQ/TPMICLK/RESET	10	RESET
	5	PTA5/IRQ/TPMICLK/RESET	12	RESET
	6	PTA5/IRQ/TPMICLK/RESET	14	RESET
	7	PTA5/IRQ/TPMICLK/RESET	16	RESET
	8	PTA5/IRQ/TPMICLK/RESET	18	RESET
	9	PTA5/IRQ/TPMICLK/RESET	20	RESET
	10	PTA5/IRQ/TPMICLK/RESET	22	RESET
	11	PTA5/IRQ/TPMICLK/RESET	24	RESET
	12	PTA5/IRQ/TPMICLK/RESET	26	RESET
	13	PTA5/IRQ/TPMICLK/RESET	28	RESET
	14	PTA5/IRQ/TPMICLK/RESET	30	RESET
	15	PTA5/IRQ/TPMICLK/RESET	32	RESET
	16	PTA5/IRQ/TPMICLK/RESET	34	RESET
	17	PTA5/IRQ/TPMICLK/RESET	36	RESET
	18	PTA5/IRQ/TPMICLK/RESET	38	RESET
	19	PTA5/IRQ/TPMICLK/RESET	40	RESET
	20	PTA5/IRQ/TPMICLK/RESET	42	RESET
	21	PTA5/IRQ/TPMICLK/RESET	44	RESET
	22	PTA5/IRQ/TPMICLK/RESET	46	RESET
	23	PTA5/IRQ/TPMICLK/RESET	48	RESET
	24	PTA5/IRQ/TPMICLK/RESET	50	RESET
	25	PTA5/IRQ/TPMICLK/RESET	52	RESET
	26	PTA5/IRQ/TPMICLK/RESET	54	RESET
	27	PTA5/IRQ/TPMICLK/RESET	56	RESET
	28	PTA5/IRQ/TPMICLK/RESET		
	29	PTA5/IRQ/TPMICLK/RESET		
	30	PTA5/IRQ/TPMICLK/RESET		
	31	PTA5/IRQ/TPMICLK/RESET		
	32	PTA5/IRQ/TPMICLK/RESET		
	33	PTA5/IRQ/TPMICLK/RESET		
	34	PTA5/IRQ/TPMICLK/RESET		
	35	PTA5/IRQ/TPMICLK/RESET		
	36	PTA5/IRQ/TPMICLK/RESET		
	37	PTA5/IRQ/TPMICLK/RESET		
	38	PTA5/IRQ/TPMICLK/RESET		
	39	PTA5/IRQ/TPMICLK/RESET		
	40	PTA5/IRQ/TPMICLK/RESET		
	41	PTA5/IRQ/TPMICLK/RESET		
	42	PTA5/IRQ/TPMICLK/RESET		
	43	PTA5/IRQ/TPMICLK/RESET		
	44	PTA5/IRQ/TPMICLK/RESET		
	45	PTA5/IRQ/TPMICLK/RESET		
	46	PTA5/IRQ/TPMICLK/RESET		
	47	PTA5/IRQ/TPMICLK/RESET		
	48	PTA5/IRQ/TPMICLK/RESET		
	49	PTA5/IRQ/TPMICLK/RESET		
	50	PTA5/IRQ/TPMICLK/RESET		
	51	PTA5/IRQ/TPMICLK/RESET		
	52	PTA5/IRQ/TPMICLK/RESET		
	53	PTA5/IRQ/TPMICLK/RESET		
	54	PTA5/IRQ/TPMICLK/RESET		
	55	PTA5/IRQ/TPMICLK/RESET		
		MCU_PORT		

Copyright (C) 2007, P&E Microcomputer Systems, Inc.

P&E Microcomputer Systems, Inc. 98 Galen Street, Floor 2 Wareness MA 02472 USA		DEMOMQEE Base Board Schematic	
Size B	FCSM No.	DWG No.	Rev B
Scale	Sheet 2 of 3		

