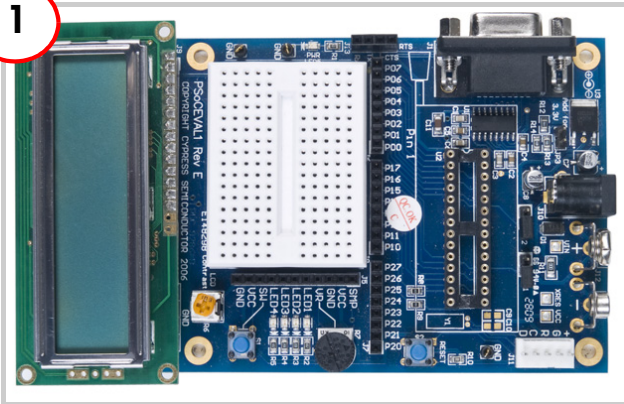


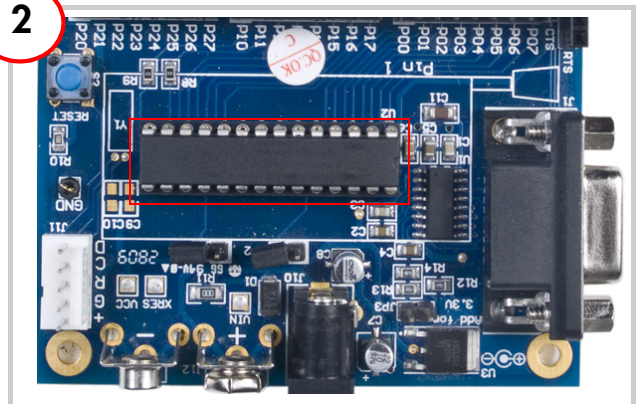
# CY3210-PSoCEVAL1 EVALUATION KIT QUICK START GUIDE

1



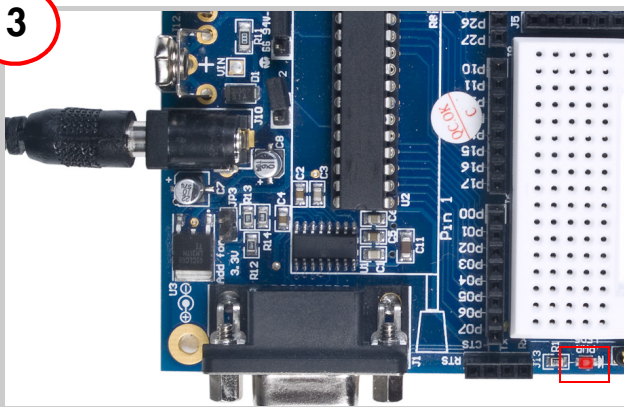
Remove CY3210-PSoCEval1 Kit from package.

2



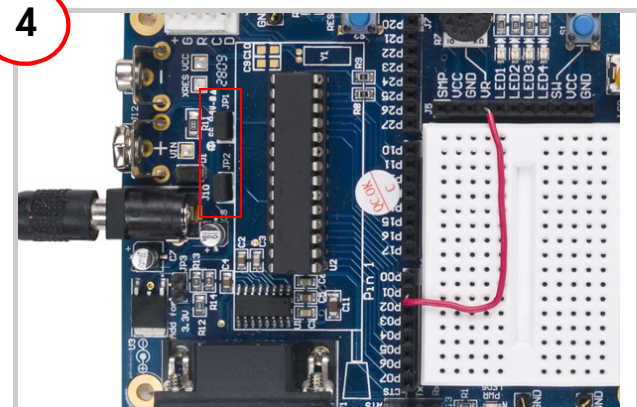
Plug the PSoC CY8C29466 chip into the socket (U2).

3



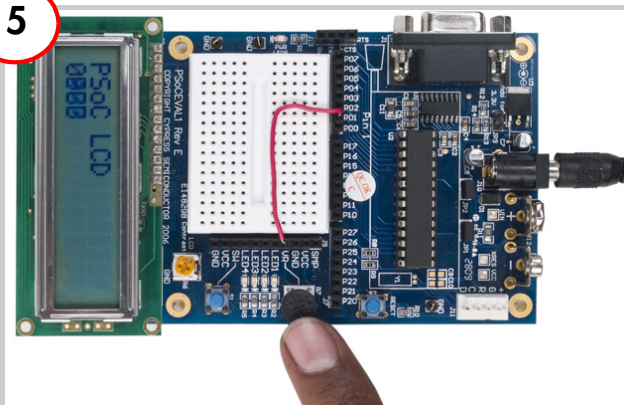
Power the board; LED5 (red) lights up.

4



Connect jumper at JP1 and JP2. Connect jumper wire between P01 and VR.

5



Vary the potentiometer and see the output hex values on the LCD module.

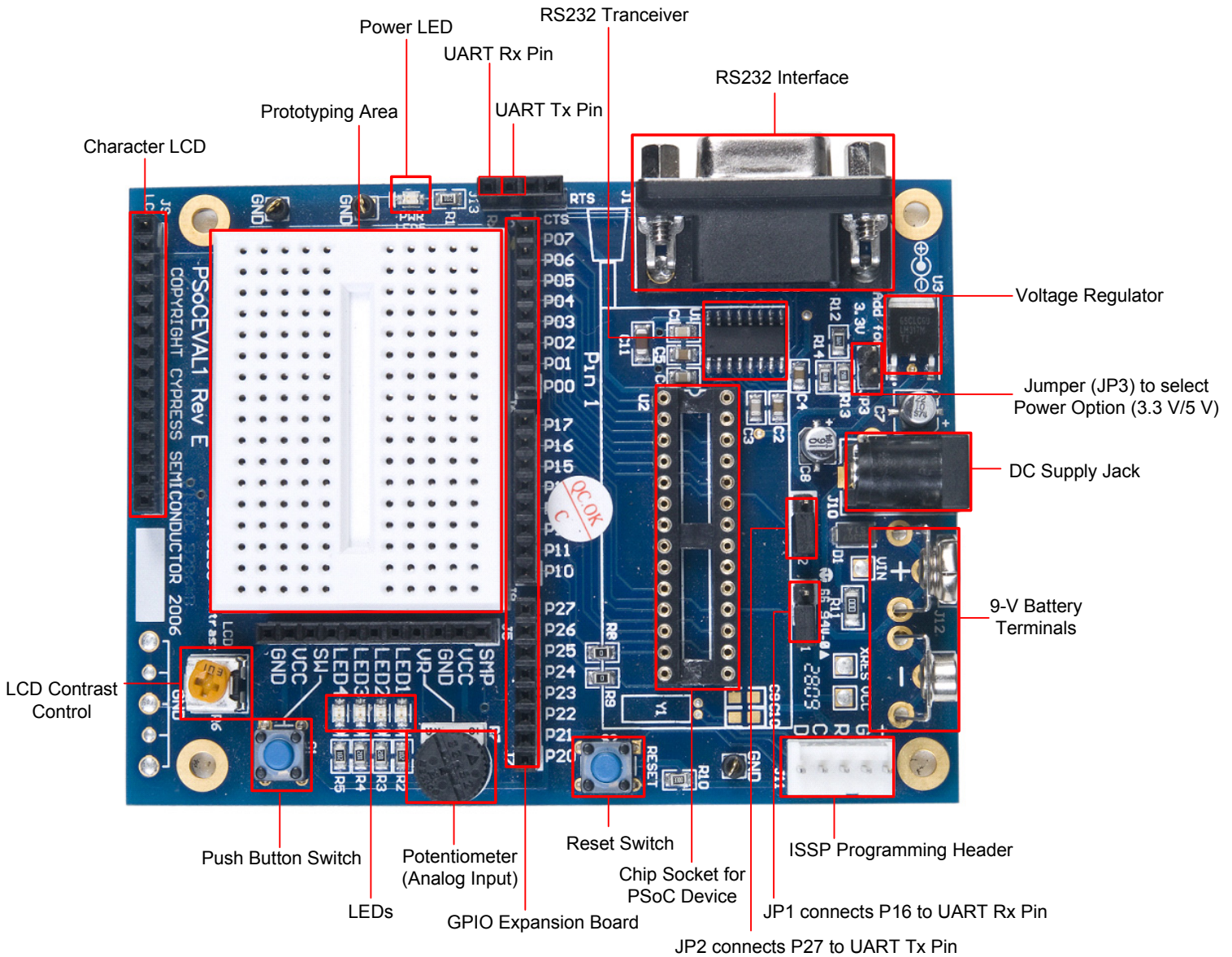
6



Insert the PSoC Kit CD in the CD drive of your PC. Install the kit contents, PSoC Designer, and PSoC Programmer.

# CY3210-PSoCEVAL1 EVALUATION KIT QUICK START GUIDE

## CY3210-PSoCEval1 Evaluation Kit Details



For the latest information about this kit visit  
[www.cypress.com/go/CY3210-PSoCEVAL1](http://www.cypress.com/go/CY3210-PSoCEVAL1)



© 2011 Cypress Semiconductor Corporation. All rights reserved. All trademarks or registered trademarks referenced herein are the properties of their respective owners.

DOC#: 001-66719 REV \*\*