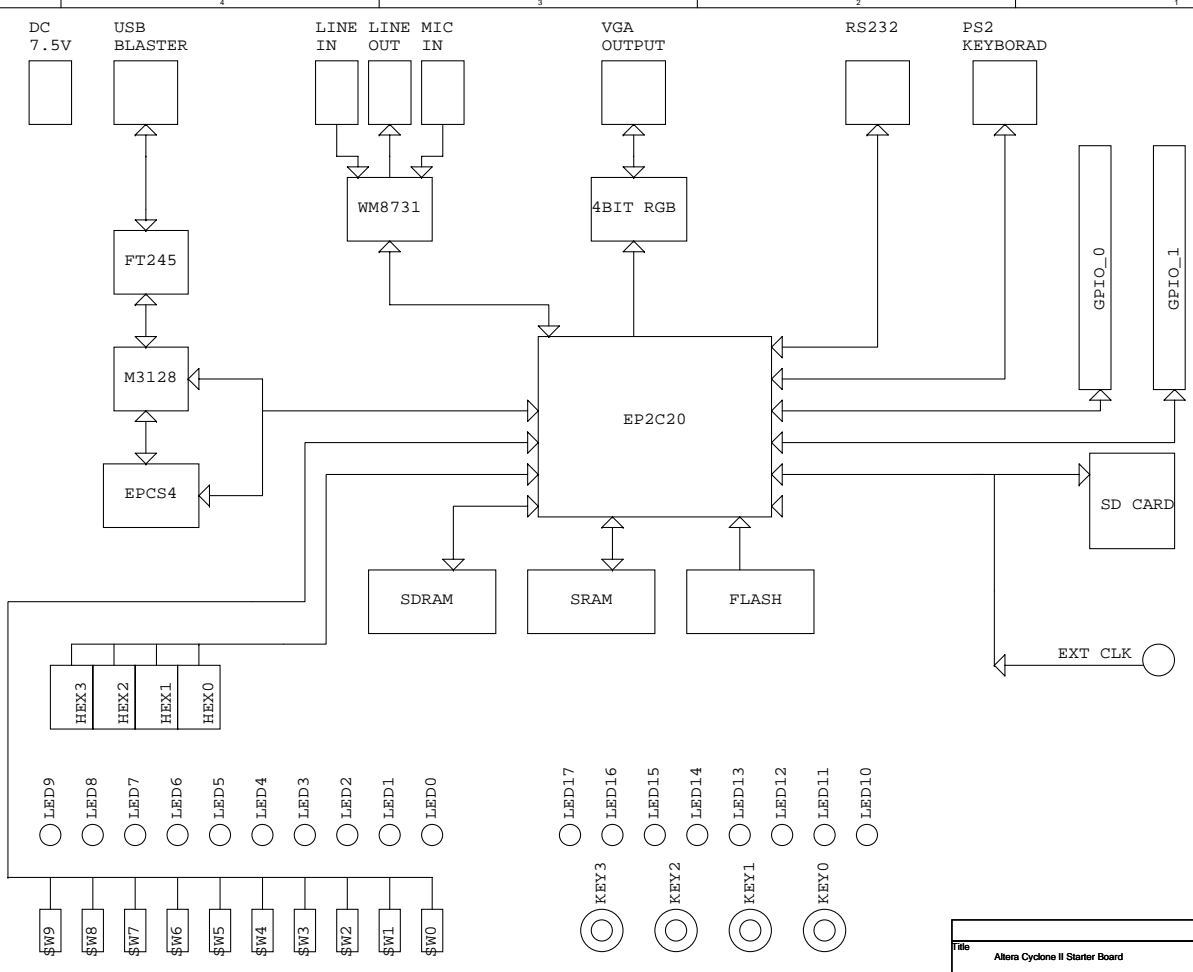


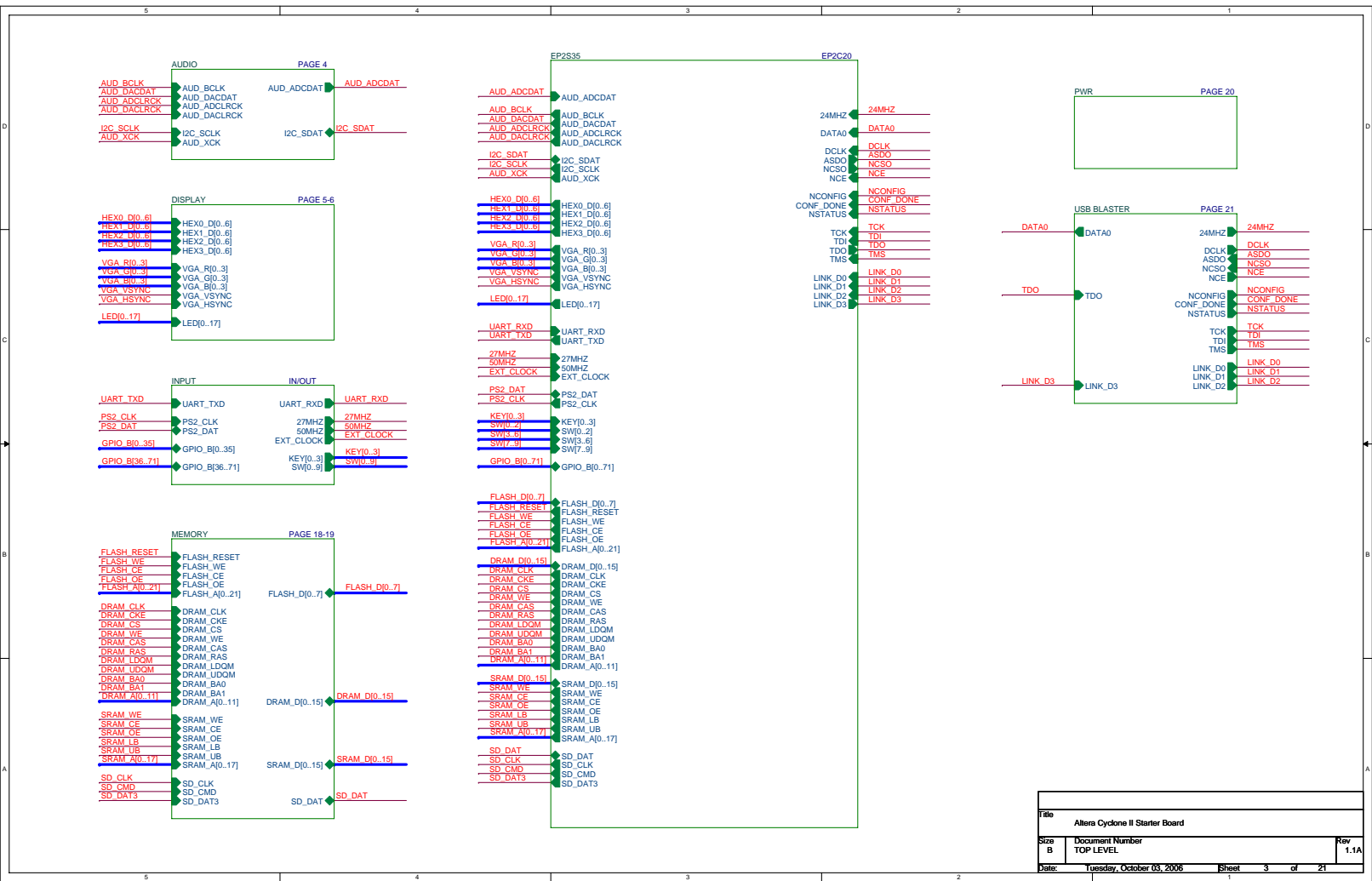
## Altera Cyclone II FPGA Starter Board

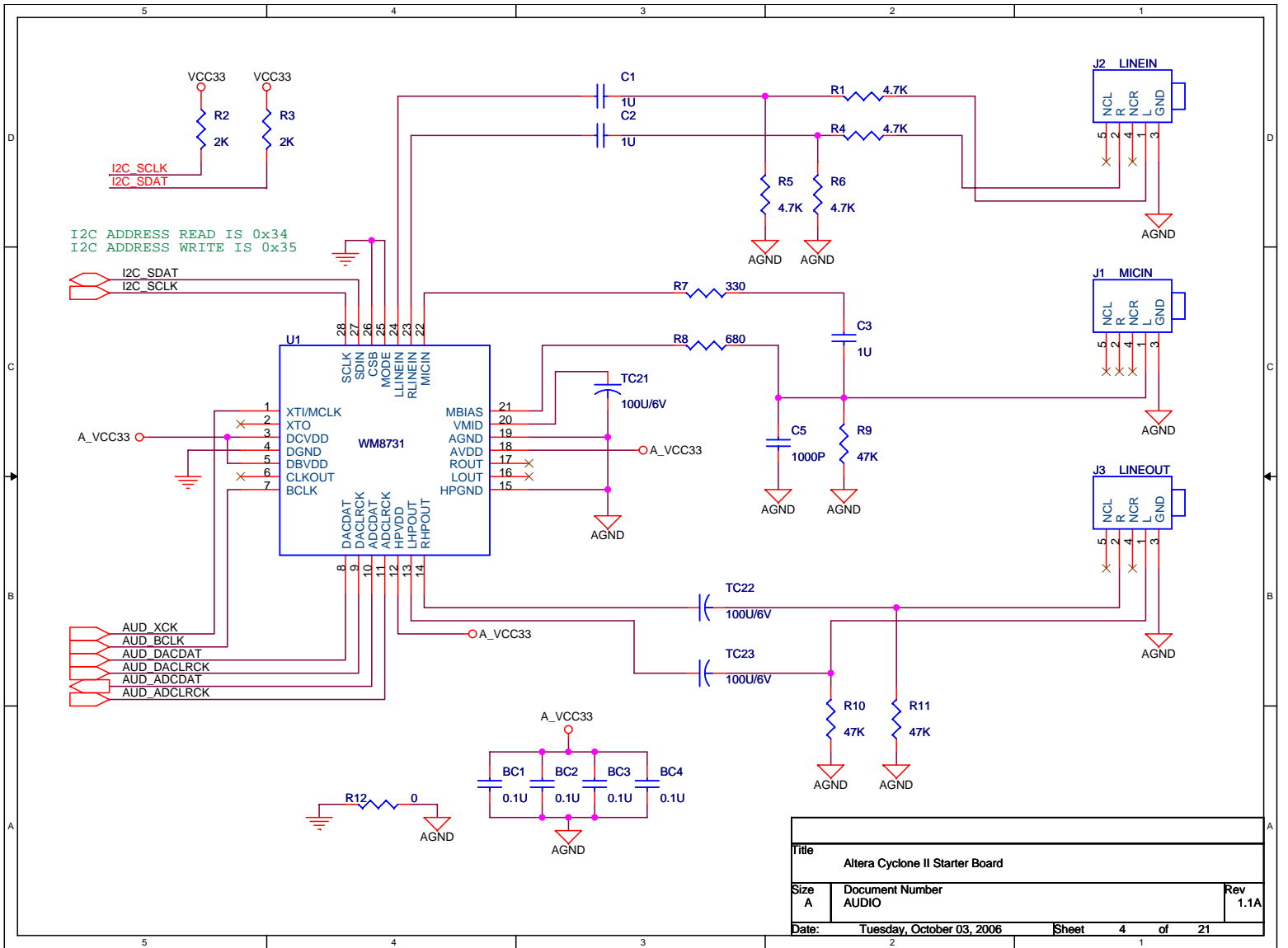
SCHEMATIC	CONTENT	PAGE
TOP	COVER PAGE , TOP	01 ~ 03
AUDIO	WM8731	04 ~ 04
DISPLAY	VGA , 7SEGMENT ,LED	05 ~ 07
EP2C20	EP2C20 BANK1..BANK8 , POWER , CONFIG	08 ~ 12
INPUT	CLOCK , PS2 , RS232 , KEY , SWITCH , CONNECT	13 ~ 17
MEMORY	SRAM , DRAM , FLASH , SD CARD	18 ~ 19
POWER	POWER	20 ~ 20
BLASTER	USB BLASTER	21 ~ 21

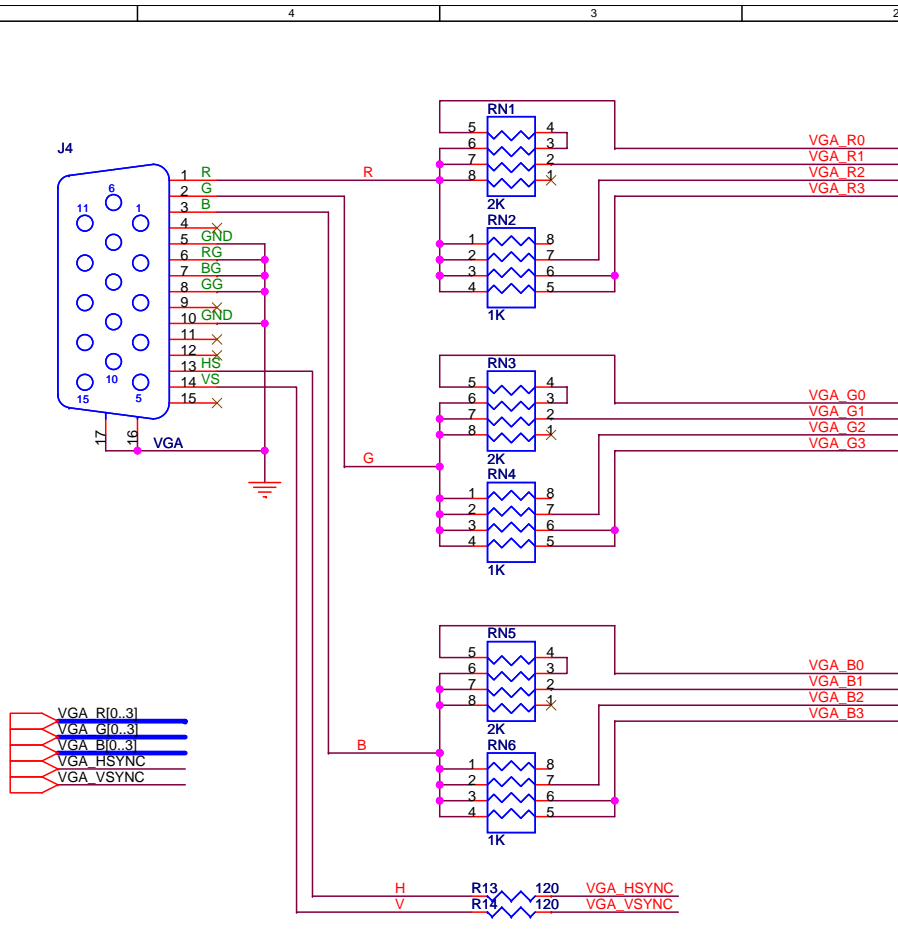
File		
Altera Cyclone II Starter Board		
Size	Document Number	Rev
B	COVER PAGE	1.1A
Date:	Tuesday, October 03, 2006	Sheet 1 of 21



File:	Altera Cyclone II Starter Board	
Size:	Document Number	Rvw
B	PLACEMENT	1.1A
Date:	Tuesday, October 03, 2006	Sheet 2 of 21

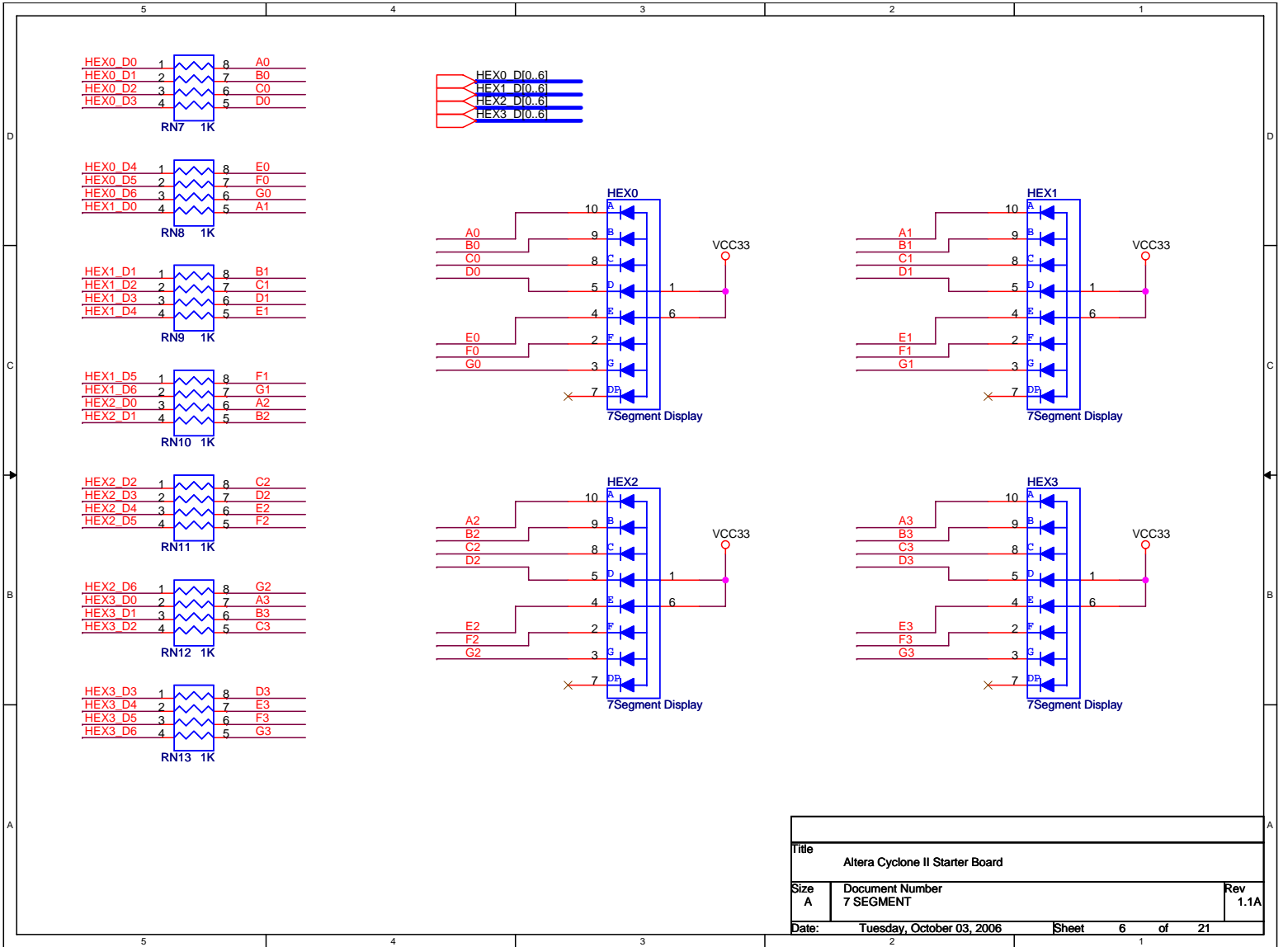




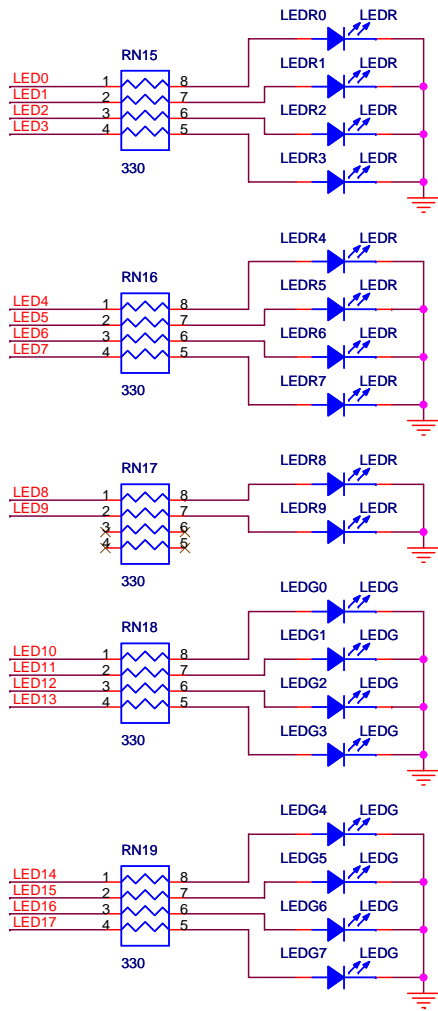


- VGA\_R[0..3]
- VGA\_G[0..3]
- VGA\_B[0..3]
- VGA\_HSYNC
- VGA\_VSYNC

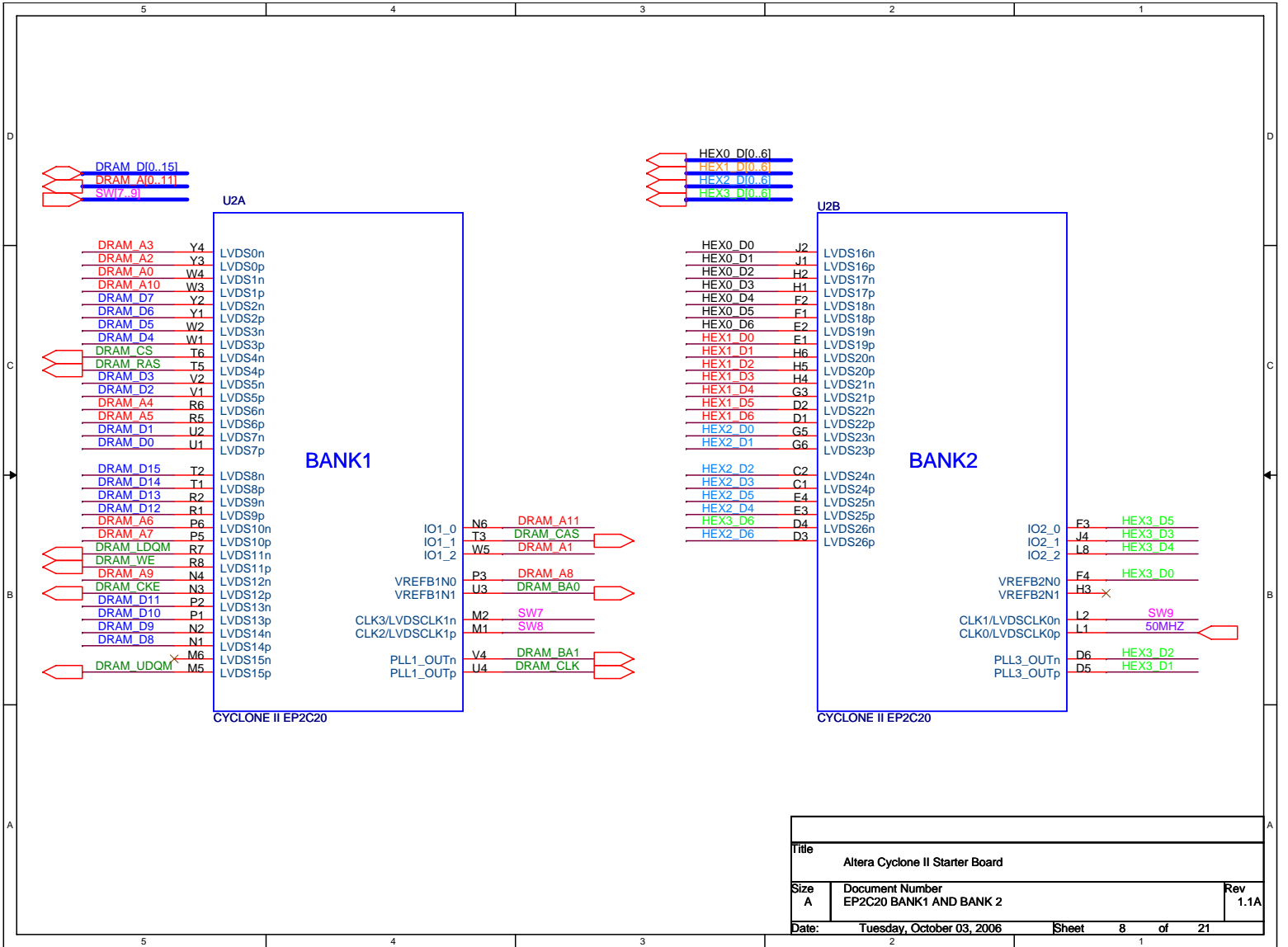
Title		
Altera Cyclone II Starter Board		
Size	Document Number	Rev
A	VGA	1.1A
Date:	Tuesday, October 03, 2006	Sheet 5 of 21



LED0..17

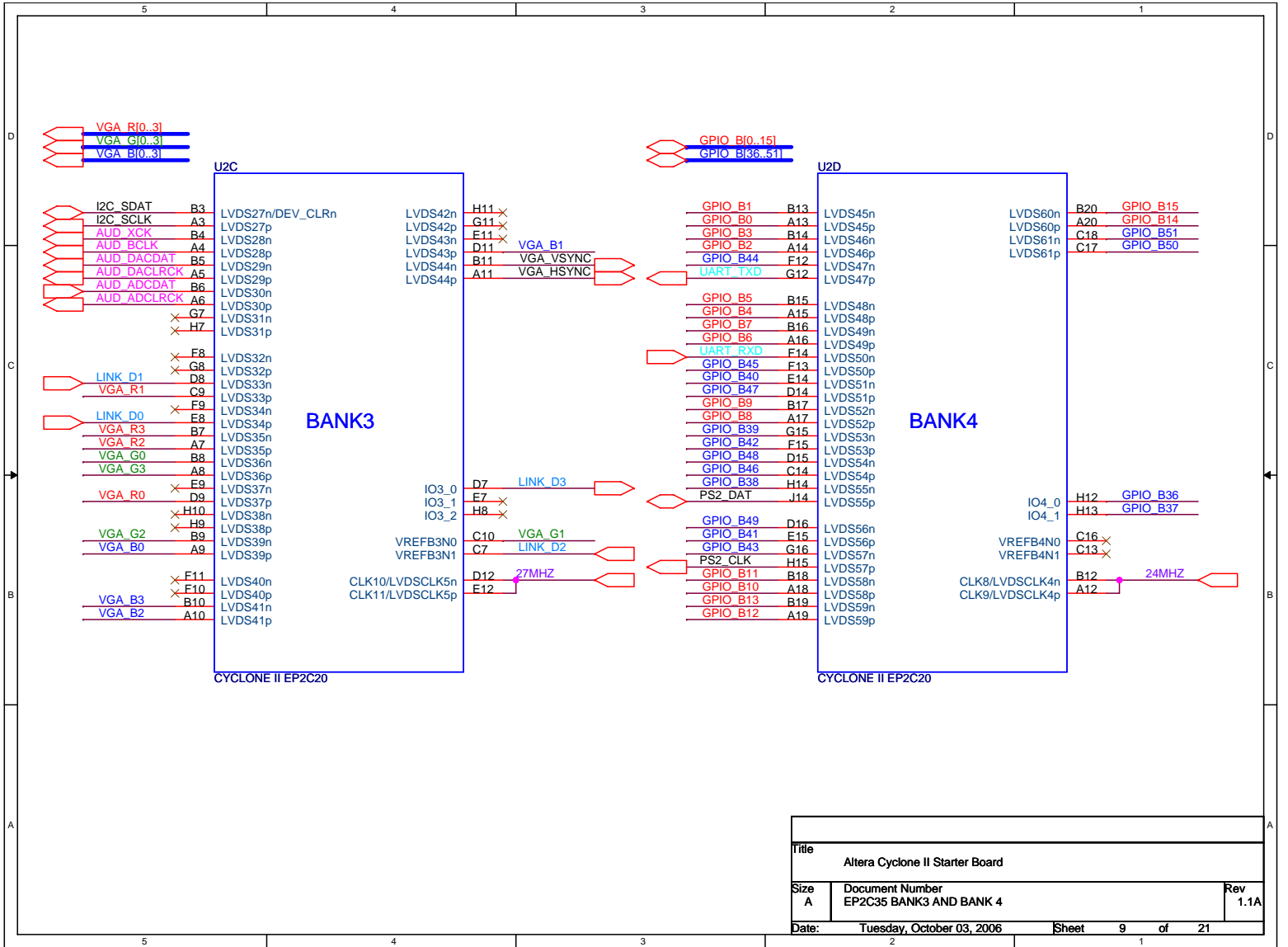


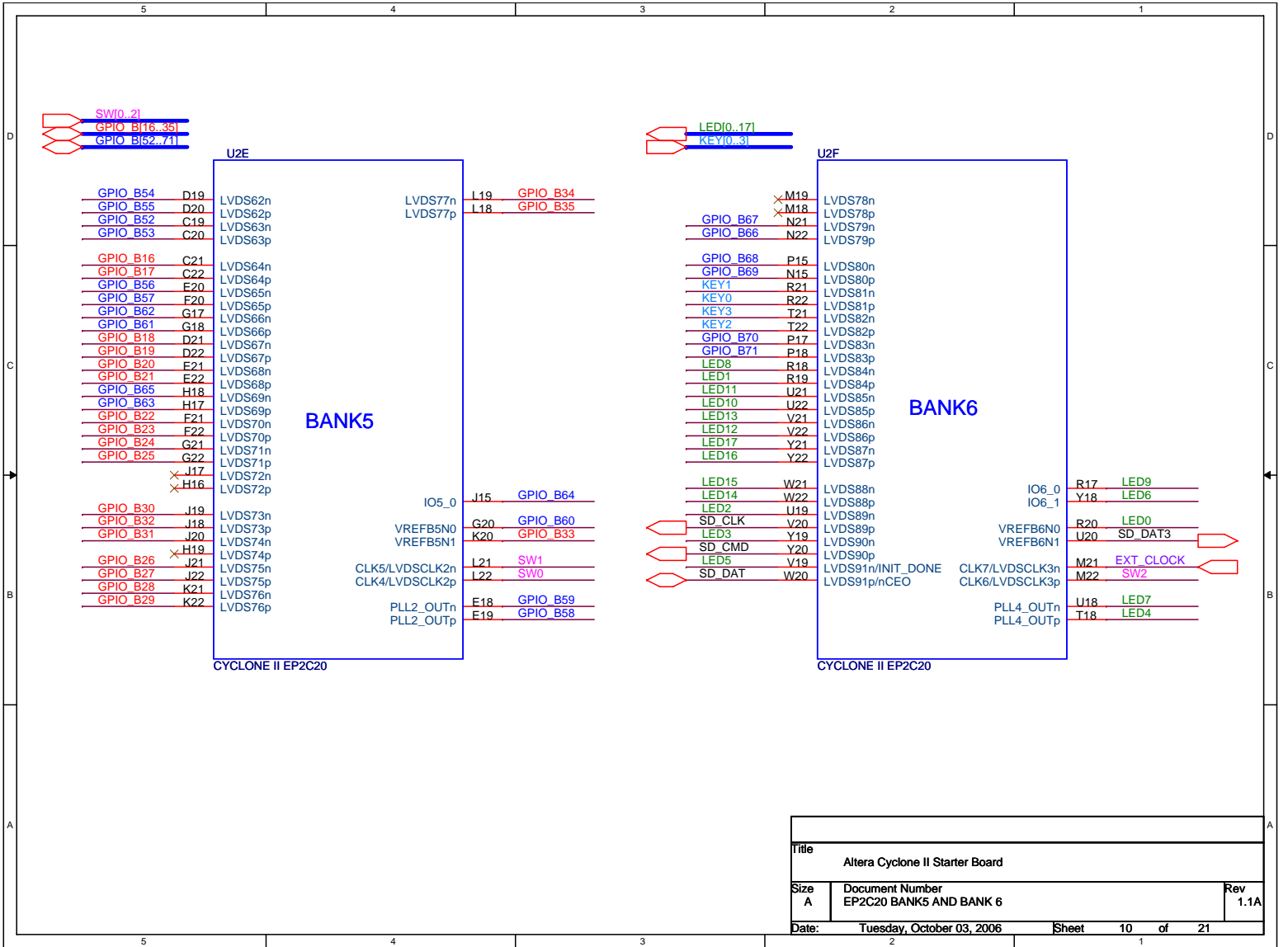
Title		
Altera Cyclone II Starter Board		
Size	Document Number	Rev
A	LED	1.1A
Date:	Tuesday, October 03, 2006	Sheet 7 of 21

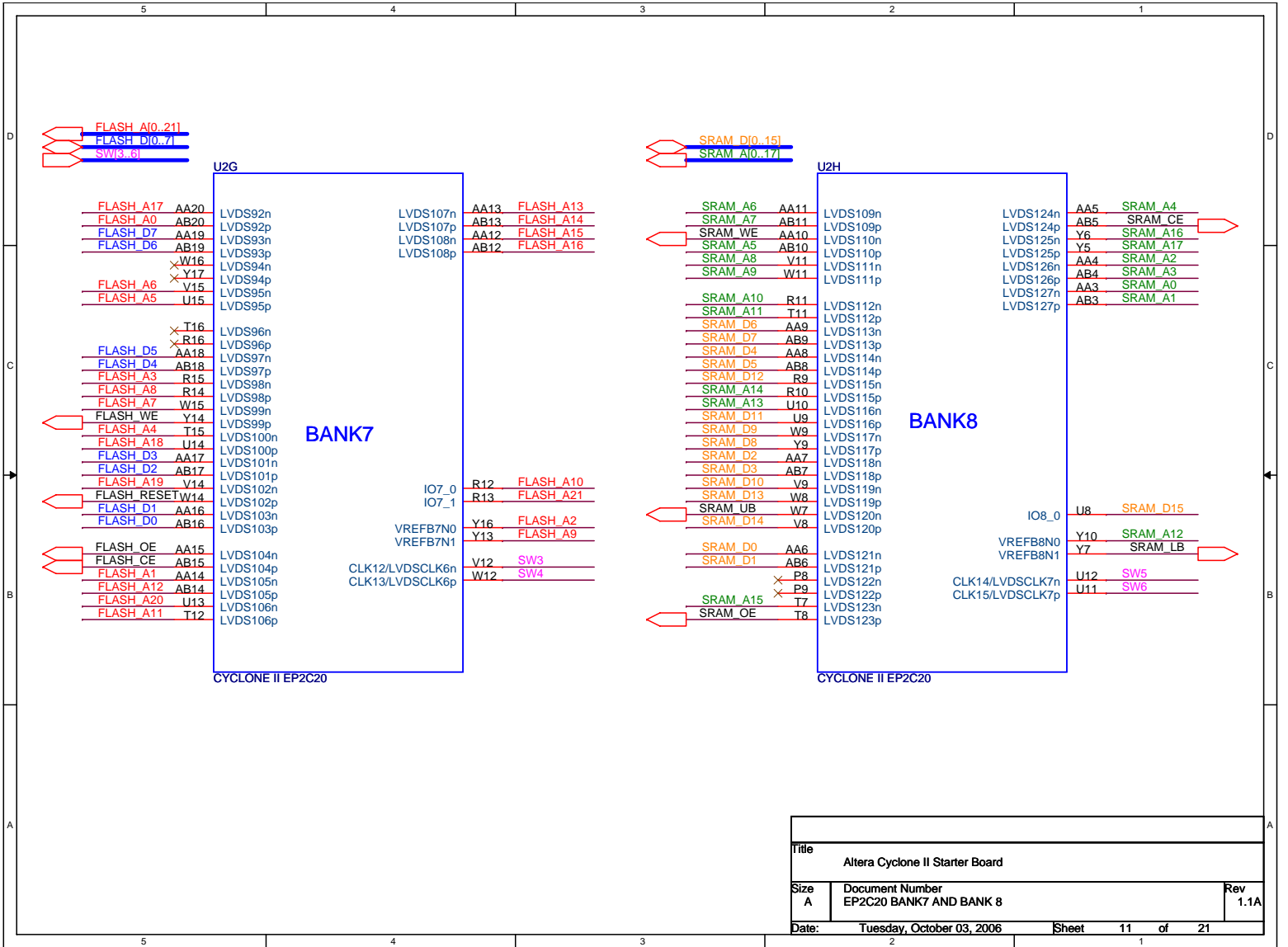


Title		
Altera Cyclone II Starter Board		
Size	Document Number	Rev
A	EP2C20 BANK1 AND BANK 2	1.1A
Date:	Tuesday, October 03, 2006	Sheet 8 of 21

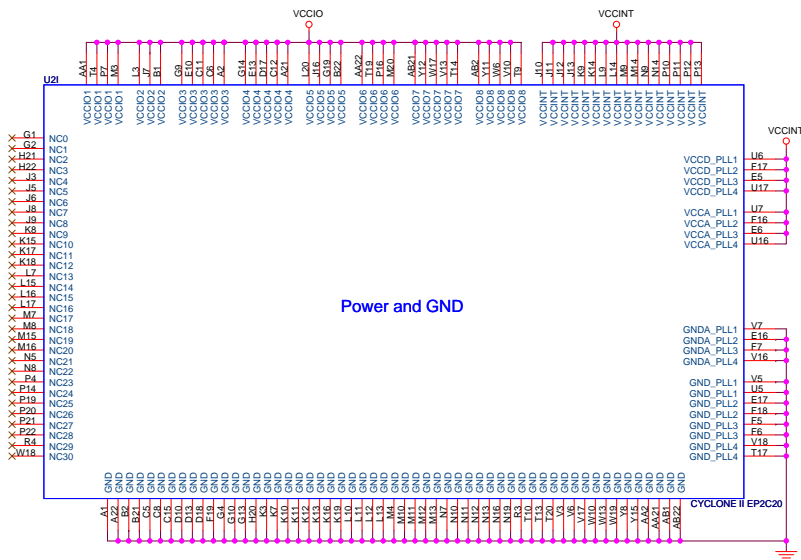




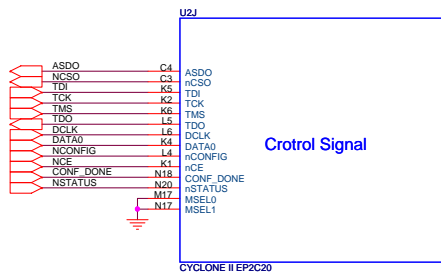




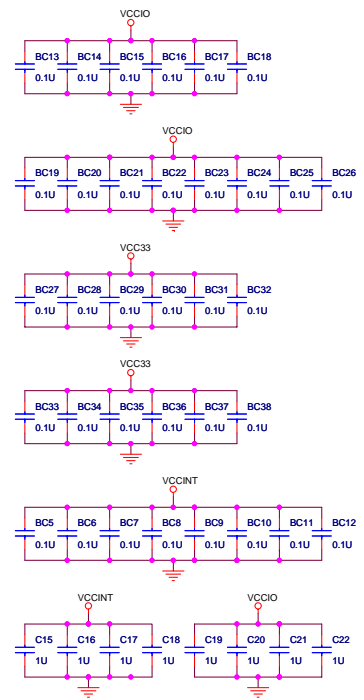
Title		
Altera Cyclone II Starter Board		
Size	Document Number	Rev
A	EP2C20 BANK7 AND BANK 8	1.1A
Date:	Tuesday, October 03, 2006	Sheet 11 of 21



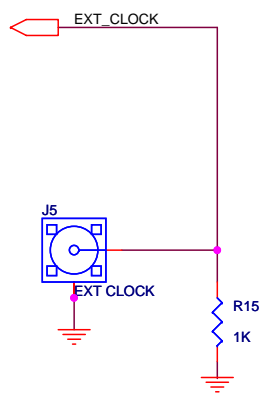
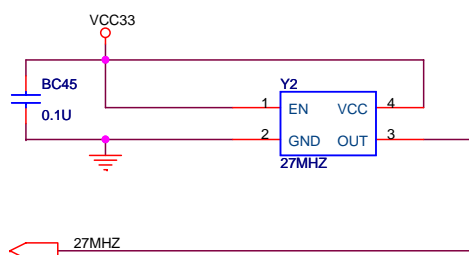
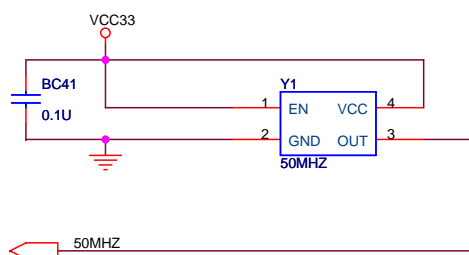
**Power and GND**



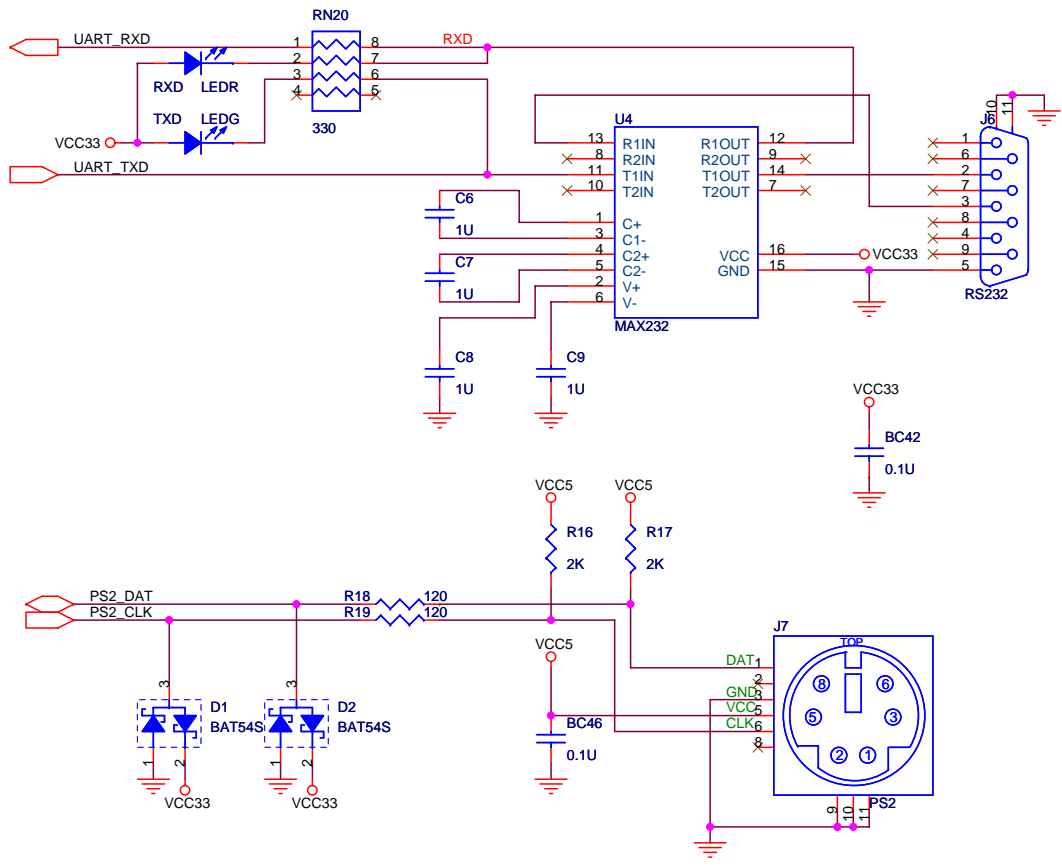
**Control Signal**



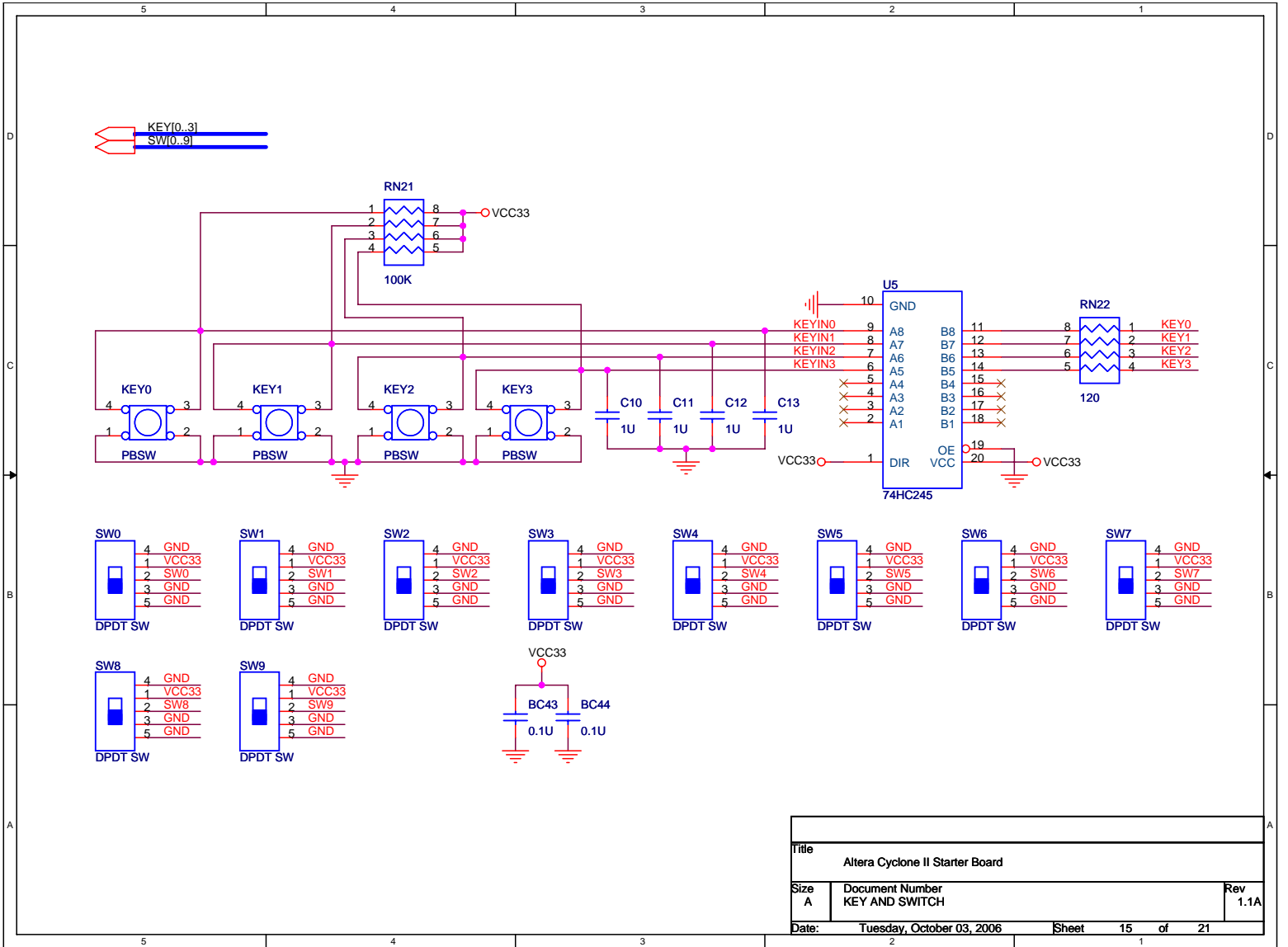
File	Altera Cyclone II Starter Board	
Size	Document Number	Rev
B	EP2C20 POWER AND CONFIG	1.1A
Date:	Tuesday, October 03, 2006	Sheet 12 of 21



Title		
Altera Cyclone II Starter Board		
Size	Document Number	Rev
A	CLOCK	1.1A
Date:	Tuesday, October 03, 2006	Sheet 13 of 21

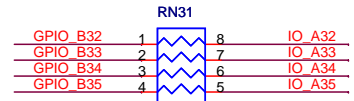
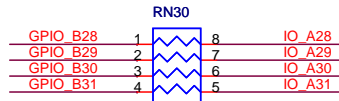
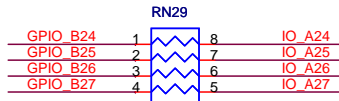
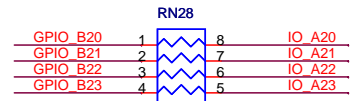
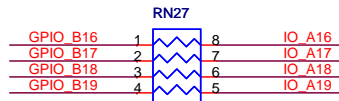
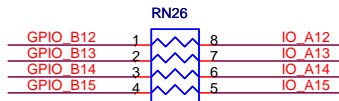
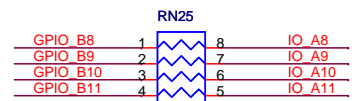
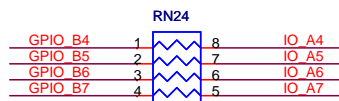
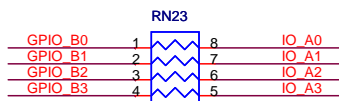


Title		
Altera Cyclone II Starter Board		
Size	Document Number	Rev
A	PS2 AND RS232	1.1A
Date:	Tuesday, October 03, 2006	Sheet 14 of 21
	2	1

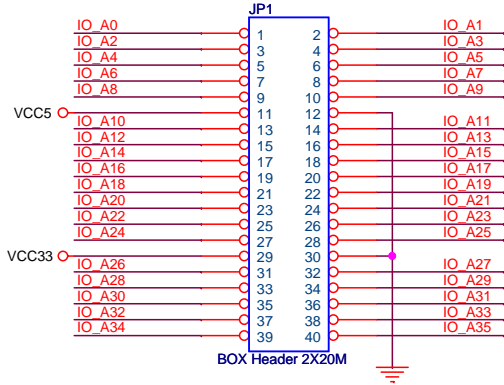


Title		
Altera Cyclone II Starter Board		
Size	Document Number	Rev
A	KEY AND SWITCH	1.1A
Date:	Tuesday, October 03, 2006	Sheet 15 of 21

GPIO\_B[0..35]



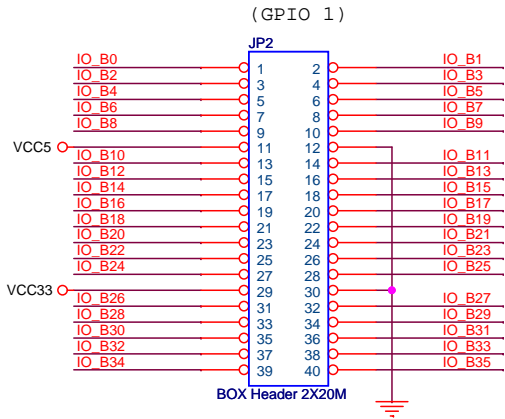
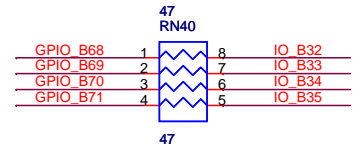
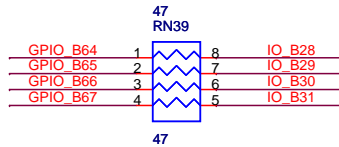
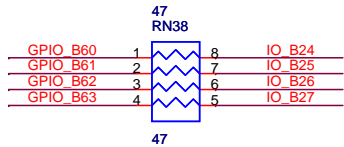
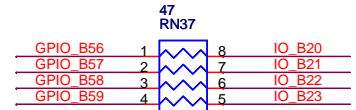
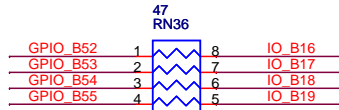
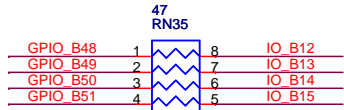
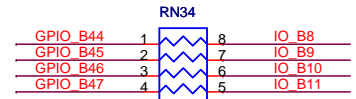
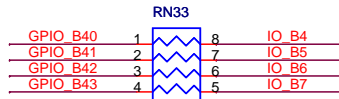
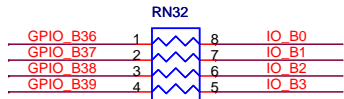
(GPIO 0)



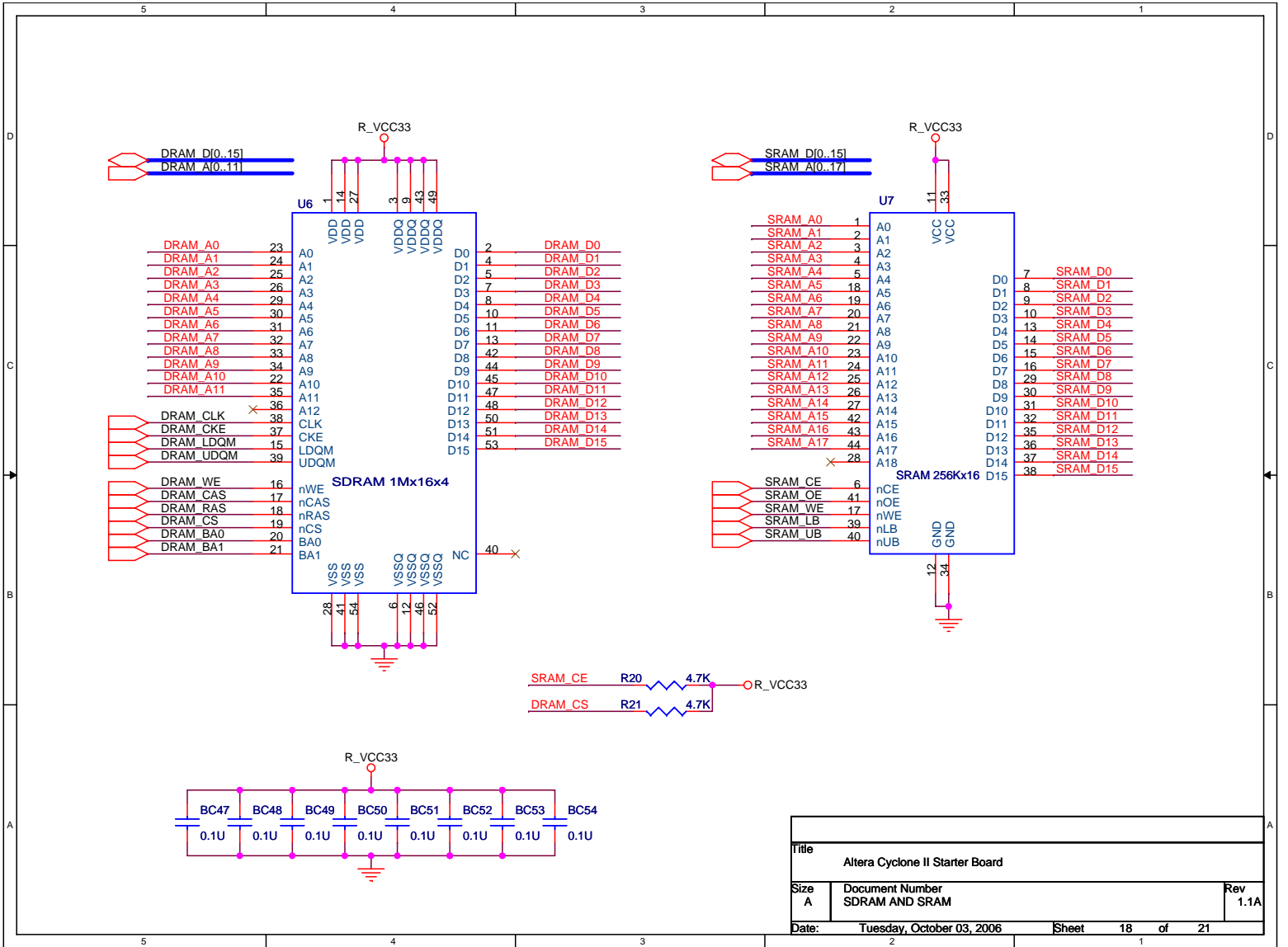
Title		
Altera Cyclone II Starter Board		
Size	Document Number	Rev
A	CONNECT A	1.1A
Date:	Tuesday, October 03, 2006	Sheet 16 of 21



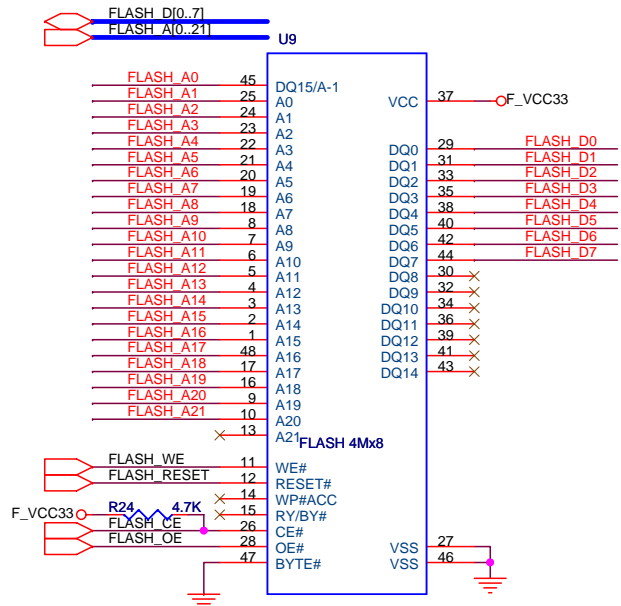
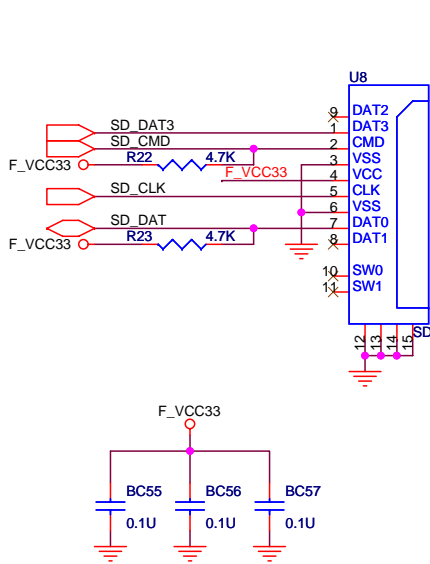
GPIO\_B[36..71]



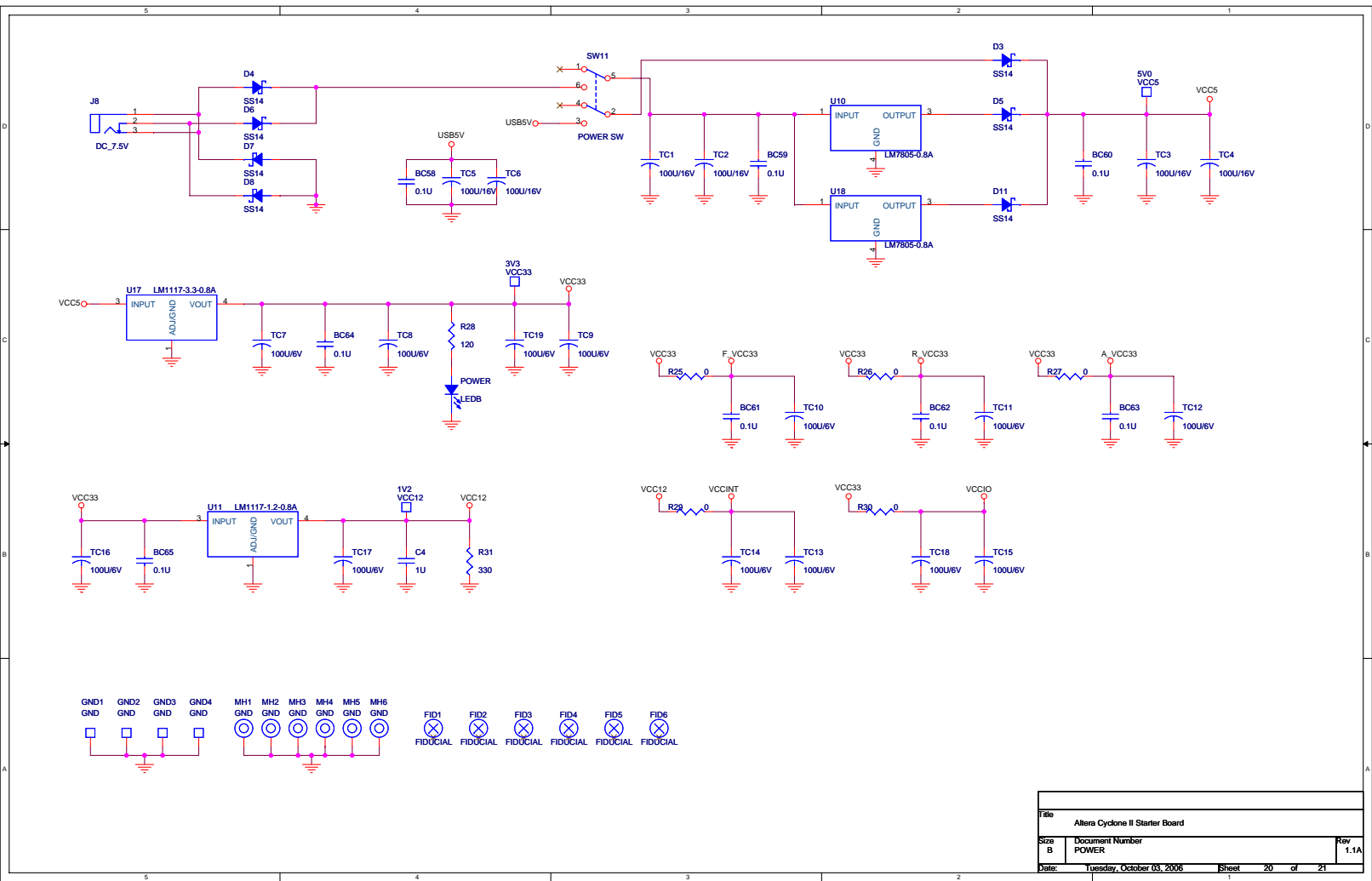
Title		
Altera Cyclone II Starter Board		
Size	Document Number	Rev
A	CONNECT B	1.1A
Date:	Tuesday, October 03, 2006	Sheet 17 of 21



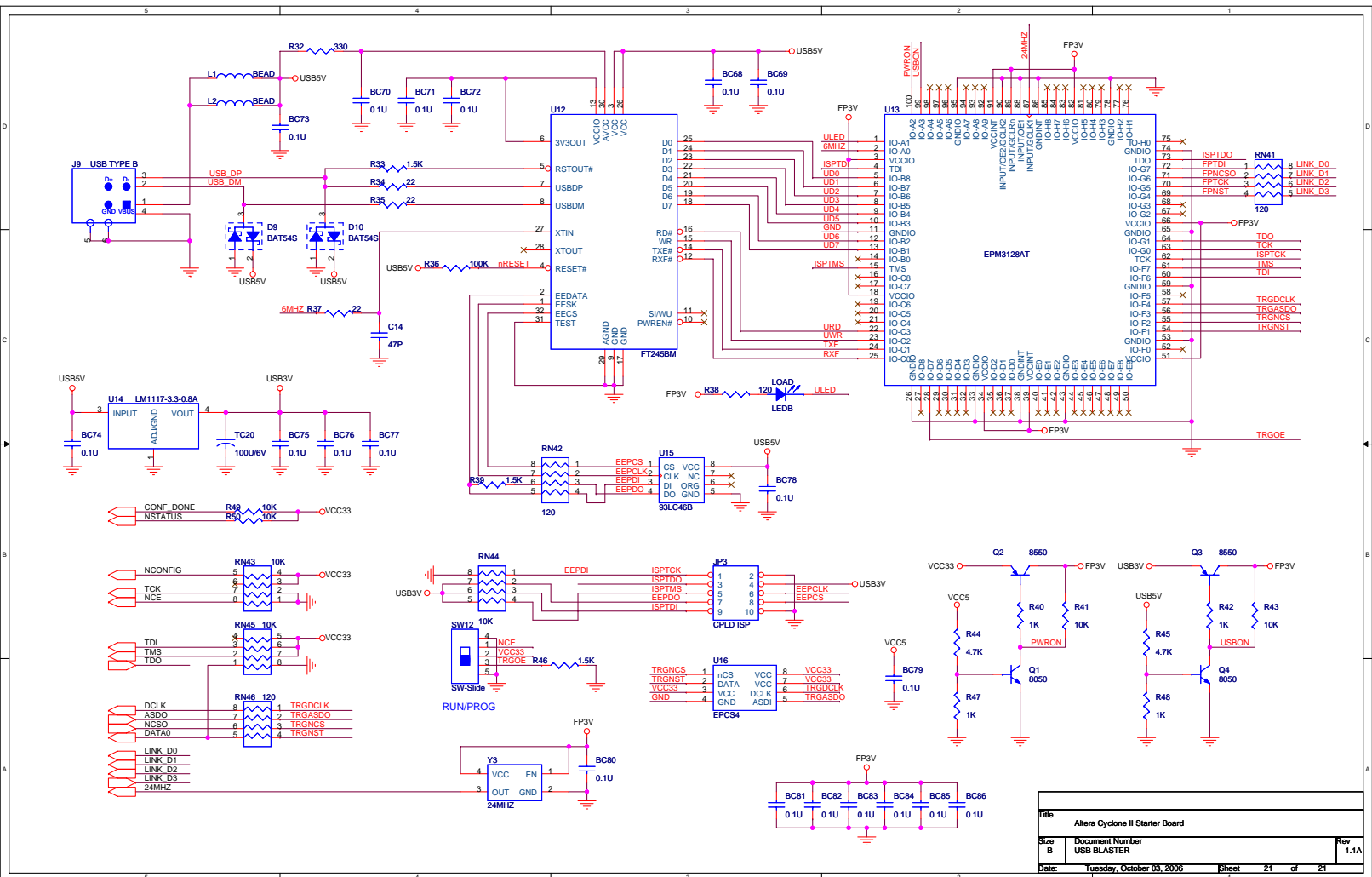
Title		
Altera Cyclone II Starter Board		
Size	Document Number	Rev
A	SDRAM AND SRAM	1.1A
Date:	Tuesday, October 03, 2006	Sheet 18 of 21
	2	1



Title		
Altera Cyclone II Starter Board		
Size	Document Number	Rev
A	FLASH AND SD	1.1A
Date:	Tuesday, October 03, 2006	Sheet 19 of 21



File	Altera Cyclone II Starter Board	
Size	Document Number	Rev
B	POWER	1.1A
Date:	Tuesday, October 03, 2006	Sheet 20 of 21



File	Altera Cyclone II Starter Board		
Size	Document Number		Rev
B	USB BLASTER		1.1A
Date:	Tuesday, October 03, 2006	Sheet	21 of 21