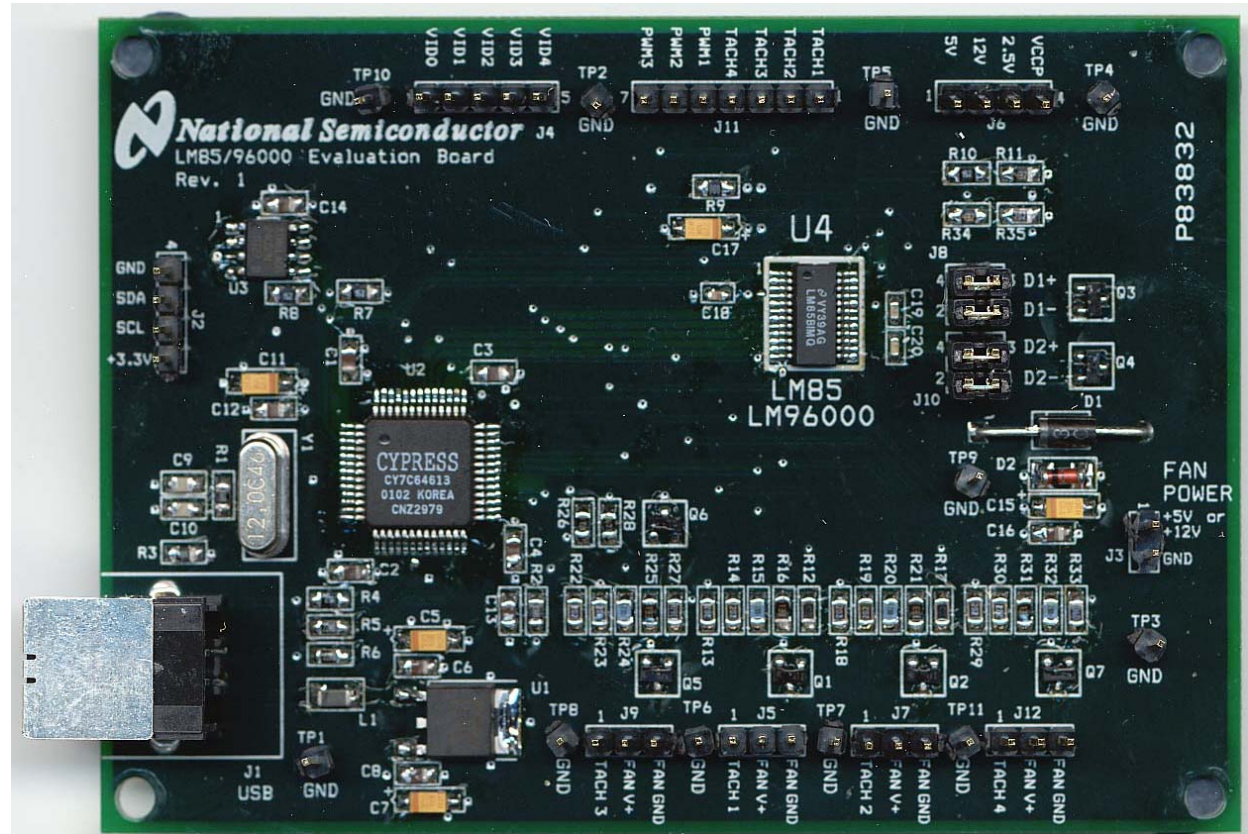


## LM85/LM96000 Evaluation Board User's Guide



## LM85/LM96000 Evaluation Board User's Guide

### Table of Contents

Table of Contents	2
References	3
1.0 Introduction	4
2.0 Quick Start	5-7
2.1 Quick Start Diagram	8
3.0 Functional Description	9
4.0 Software Installation and Operation	10
5.0 Electrical and Mechanical Specifications	11
5.1 Electrical Specifications	11
5.2 Electrical Schematic	11-12
5.3 Evaluation Board Layout	13
5.4 Bill of Materials	14
5.5 Mechanical Specifications	15
5.5.1 LM85/LM96000 Evaluation Board Basic Dimensions	15
5.5.2 Electrostatic Discharge (ESD) precautions	15
Appendix A LM85/LM96000 Evaluation Board Connectors and Test Points.	16-18

## LM85/LM96000 Evaluation Board User's Guide

### References

1. LM85 or LM96000 datasheet.

The latest copy of the LM85 or LM96000 datasheet can be obtained by going to the National Semiconductor website [www.national.com](http://www.national.com). Search for "LM85" or "LM96000", and then download the LM85.pdf or LM96000.pdf file.

2. SensorEval Version 1.06 or later, Evaluation Board CD containing:
  - a. The SensorEval.exe executable program used to run the LM85/LM96000 Evaluation Board.
  - b. A softcopy of this User's Guide
  - c. A readme.txt file with useful information about the program.
  - d. A softcopy of the SensorEval Software manual.

## 1.0 Introduction

The LM85/LM96000 Evaluation Board is used together with National Semiconductor SensorEval software (provided in the kit), and with a USB cable (not provided in the kit), and with an external personal computer (PC). Power to the LM85/LM96000 Evaluation Board is provided by the +5VDC line of the USB connection. An external power supply for fan power is required for operation of the LM85/LM96000 Evaluation Board with the 3-terminal DC fans. The third terminal of the fan is the open-collector fan tachometer (tach) output. It is recommended that the user only use 2 fans at a time to avoid overloading the USB's 5 V line. See the operational details in this user's guide.

Before connecting the PC to the LM85/LM96000 Evaluation Board through the USB cable, the PC is first turned on and allowed to go through its boot-up procedure. The user installs and initiates the SensorEval software. See Section 4.0 for details.

After the SensorEval software is running, the user can connect the USB cable first to the

computer and then to the LM85/LM96000 Evaluation Board.

The PC should be able to recognize the USB board and install the driver from the software.

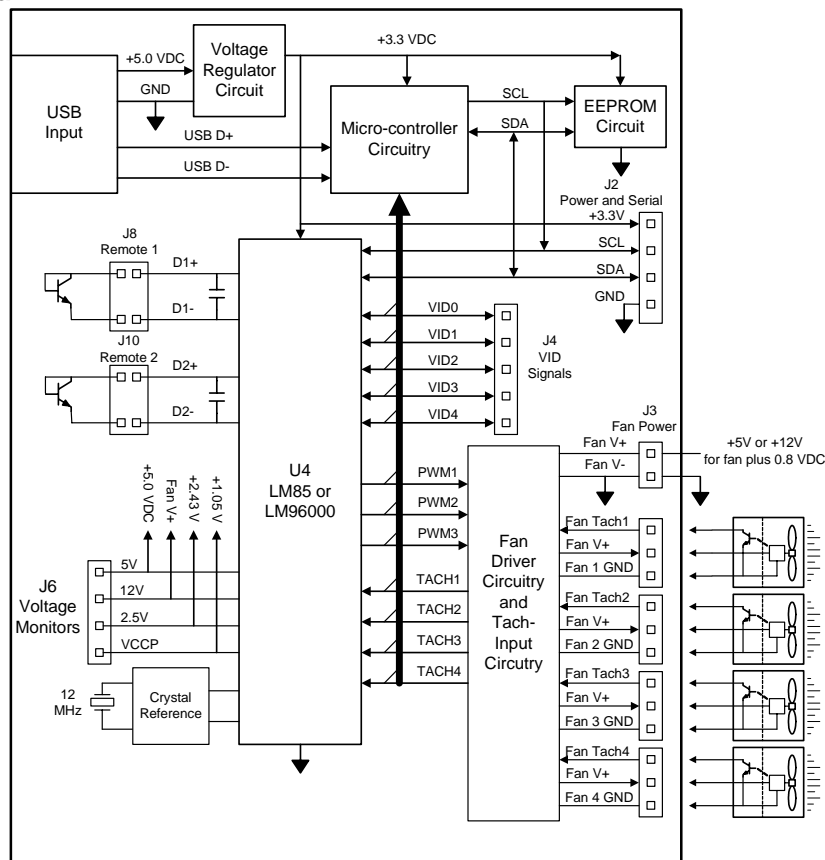
The block diagram below describes the LM85/LM96000 Evaluation Board itself. The USB input provides the +5.0 VDC power to the board, which is regulated down to 3.3 VDC to power the IC's on the board. The EEPROM is programmed at the factory with a unique ID code for this particular board. When the USB cable is plugged in, the PC interrogates the USB devices and can identify this device as the LM85/LM96000 Evaluation Board.

The microcontroller on the board provides the 2-wire serial clock (SCL), and serial data (SDA) signals, and relays the information from the LM85/LM96000 to the PC via the USB lines.

Appendix A provides details for each of the connectors and test points and their function.

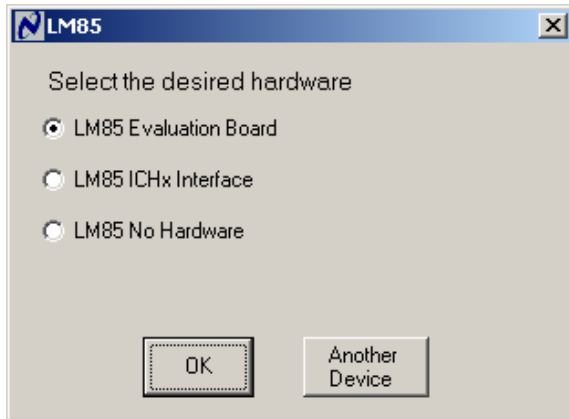
Read this user's guide completely before using the LM85/LM96000 Evaluation Board.

## 1.1 Block Diagram



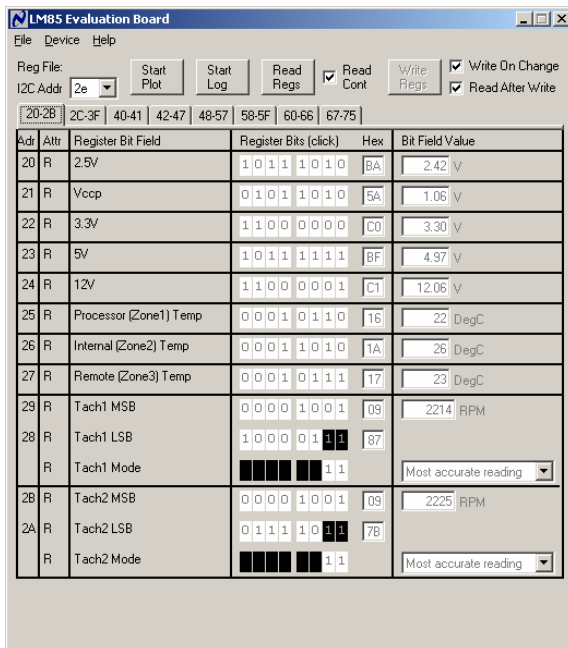
## 2.0 Quick Start

1. Install the CD into the CD drive of the computer and install the SensorEval software (see Section 4.0).
2. Hookup the USB cable between the PC or notebook computer as shown in the Quick Start Diagram in Section 2.1.
3. Run the SensorEval software by clicking on the icon on the desktop. LM85 Example: the first screen should look like this:



Select the Evaluation Board radio button. Click OK.

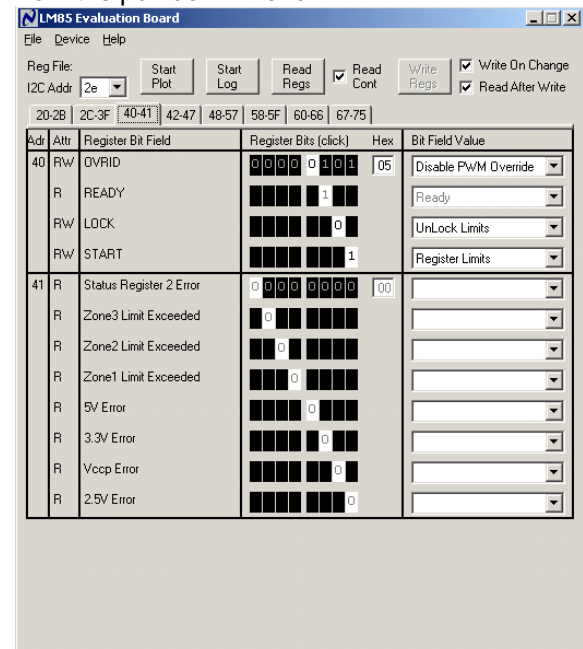
4. The next screen will look like this:



Select the Read Continuous (Cont) box to refresh the data continuously. Note that the

temperature readings of the 3 zones (the internal temperature of the temperature sensor device, or the temperature of one of the MMBT3904's). Notice the DC voltages on the voltage monitoring registers and pins. (See the Schematic in Section 5.2). The "12V" pin is connected to the Fan+ Voltage. This screen also shows the Fan 1 and Fan 2 tachometer readings if the fans are connected and the power is on.

5. For the user to be able to change the register settings click on the 40-41 tab. For Register 40 "START", select "Register Limits" from the pull-down menu.



## 2.0 Quick Start (continued)

- For direct control of the fans click on the 58-5F tab. For Registers 5C, 5D, and 5E, change the “Fan on Full Always” to “Fan Control Manually (test)” for each one.

- Select tab 2C-3F and change Registers 30, 31 and 32, the PWM Duty Cycle, to manually change the speed of each fan. Register 32 controls fans 3 and 4.

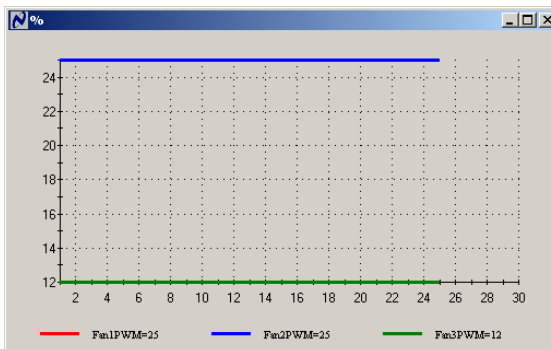
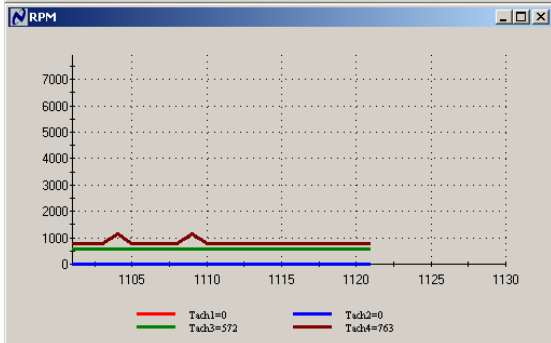
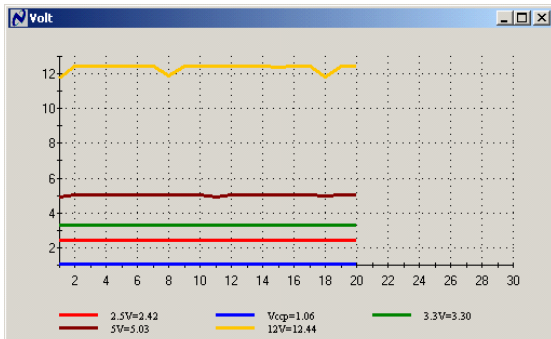
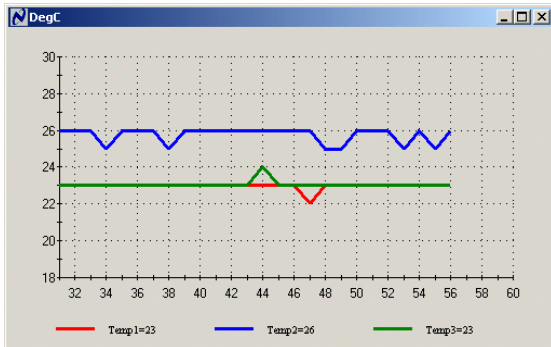
Notice that Registers 2D and 2C shows the tach RPM value for Fan 3, and Registers 2E and 2F show the value for the tach RPM value for Fan 4.

- The user may experiment with all of the combinations of the other registers, setting limits and discovering how the registers affect the performance. The entire matrix of test combinations is beyond the scope of this user’s guide.

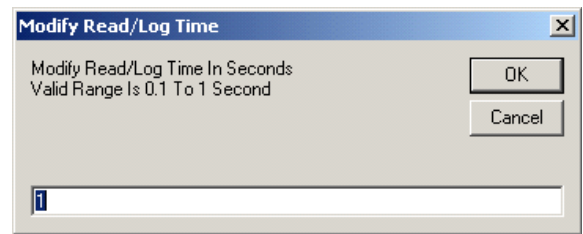


## 2.0 Quick Start (continued)

9. One of the features of the SensorEval software is the plotting feature. If the user clicks on the Start Plot button a graph box will appear and will graph the temperatures, Voltages, RPM, and % Duty Cycle. An example of the four plots is shown below.

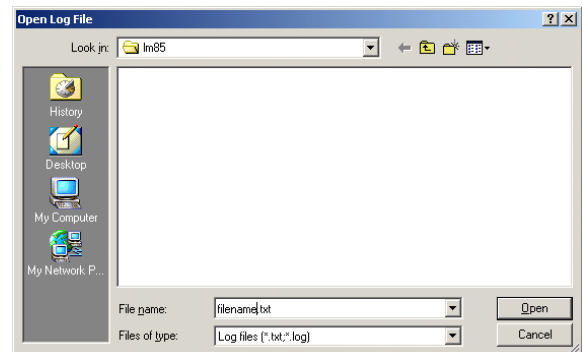


10. The user can change the time interval for the data to be taken. Simply select File, then Set Read Time, and the following block will appear.



When the user makes the selection and clicks on OK that interval is set from that time on while the program is running.

11. If the user clicks on the Start Log button the screen shown below will appear. The user selects the directory that the datafile is to be written into and the filename. When "Open" is clicked the data is taken and logged into the datafile at whatever rate is set in the Set Read Time menu.



## 2.1 Quick Start Diagram

**Important!** An **EXTERNAL POWER SUPPLY** is required for operation of the fans!  
**WARNING!** Use only 2 fans at a time during the tests to avoid overloading the +5V line coming from the USB terminal. It is suggested that the user use either Fans 1 and 2, or Fans 3 and 4, during the tests. Fans may be of the 5 volt or 12 volt 3-terminal variety but the current rating of each fan must be under 200 mA.

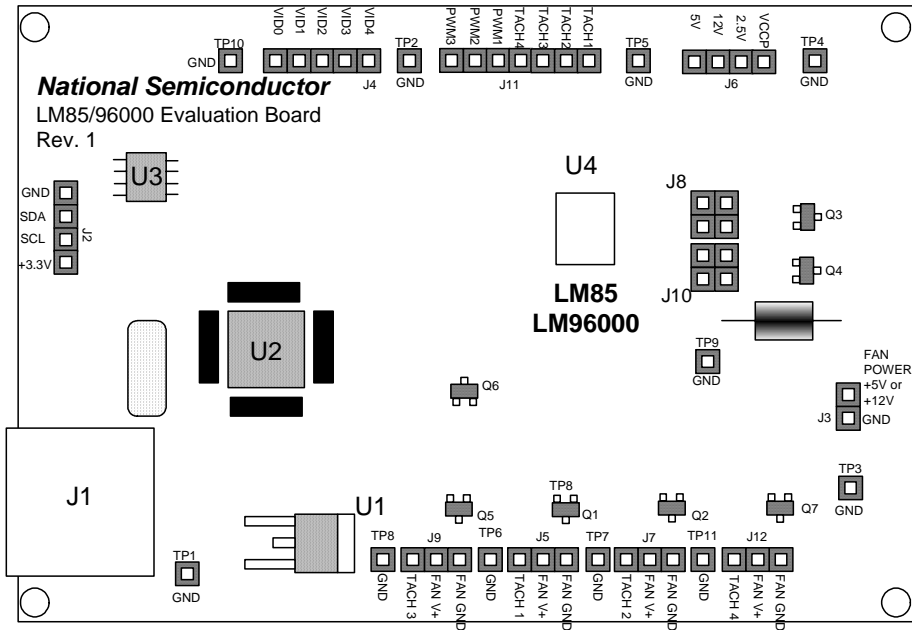


Figure 2.1.1 Physical Layout of the LM85/LM96000 Evaluation Board

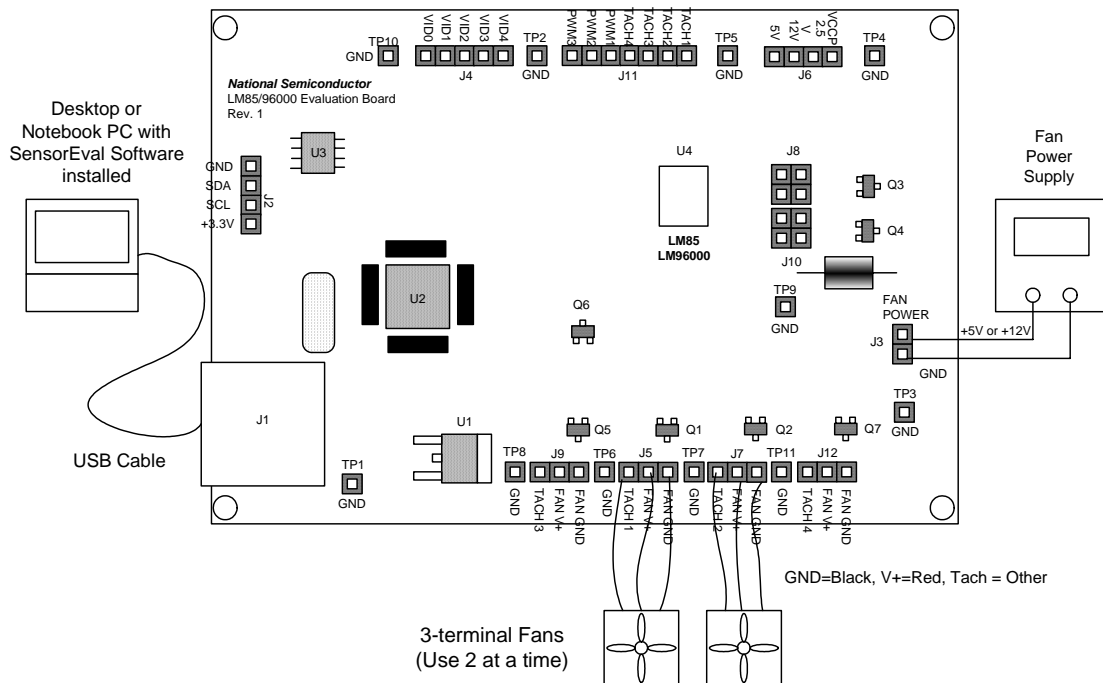


Figure 2.1.2 Wiring Diagram showing Hookup of the LM85/LM96000 Evaluation Board



### 3.0 Functional Description

The LM85/LM96000 Evaluation Board, along with the SensorEval Software, provides the system designer with a convenient way to learn about the operation of the LM85 or the LM96000 Temperature Sensor chip. The user simply has to install the SensorEval software on his PC, run it, connect the USB cable from the PC to the Evaluation Board, and the user can read temperatures, experiment with fan control, and set limits all according to the latest datasheet. It's that simple! The user has to provide the +5 or +12 VDC, depending on the fan's rated voltage, from an external power supply, to the Fan Power input connector of the evaluation board.

Power to the LM85/LM96000 Evaluation Board is taken from the USB 5-Volt line. This +5VDC is the input to the on-board LM2950 low dropout voltage regulator, which regulates the output voltage to +3.3 VDC. This output voltage

powers the LM85 or LM96000, the on-board microcontroller, the EEPROM chip where the board ID information is stored, and some of the fan driver circuitry. The fan tachometer outputs, all open-drain, are pulled up with resistor to the Fan Power voltage and then voltage divided down to acceptable voltage input levels for the LM85 or the LM96000 "Tach" inputs.

The external 3-terminal DC fans are either +5V or +12 VDC brushless DC fans with a rated current of 200 mA or less. Fans 1 and 2 are controlled independently. Fan 3 and 4 are driven by the same PWM3 signal from the device.

The microcontroller provides the two-wire SMBus communications to the LM85 or LM96000. For all of the details of this communication protocol see the latest LM85 or LM96000 datasheet, available at [www.national.com](http://www.national.com).

### 3.1 LM85/LM96000 Evaluation Board Connection Table

See Appendix A for the description of all Connectors and Test Points, their function and requirements.

## 4.0 Software Installation and Operation

### 4.1 Installation

The CD provided in the LM85/LM96000 Evaluation Board Kit contains the SensorEval software used to make the LM85 or LM96000 Evaluation Board operate with the user's PC. It is assumed that the user will be using a PC with a Pentium® III or higher processor and Microsoft Windows® XP/2000/98/ME operating system.

The software is installed as follows:

1. Insert the SensorEval CD into the CD drive of the PC. See details in the readme.txt file.
2. The software manual, provided on the CD, may be useful to the user during this process.
3. The installation process will put an icon on the PC desktop so that the SensorEval program will run when the icon is double-clicked.

### 4.2 Operation

Follow the following procedure for operating the LM85/LM96000 Evaluation Board using the SensorEval software:

1. Run the SensorEval program by either double-clicking on the icon on the desktop or by selecting Start, Run, and browse to find the SensorEval.exe file.
2. Plug in the USB cable on both the PC and the LM85/LM96000 Evaluation Board.

Follow the register setup steps given in Section 2.0 Quick Start of this User's Guide. Make sure that you are following the given procedure for the specific evaluation board you are working with.

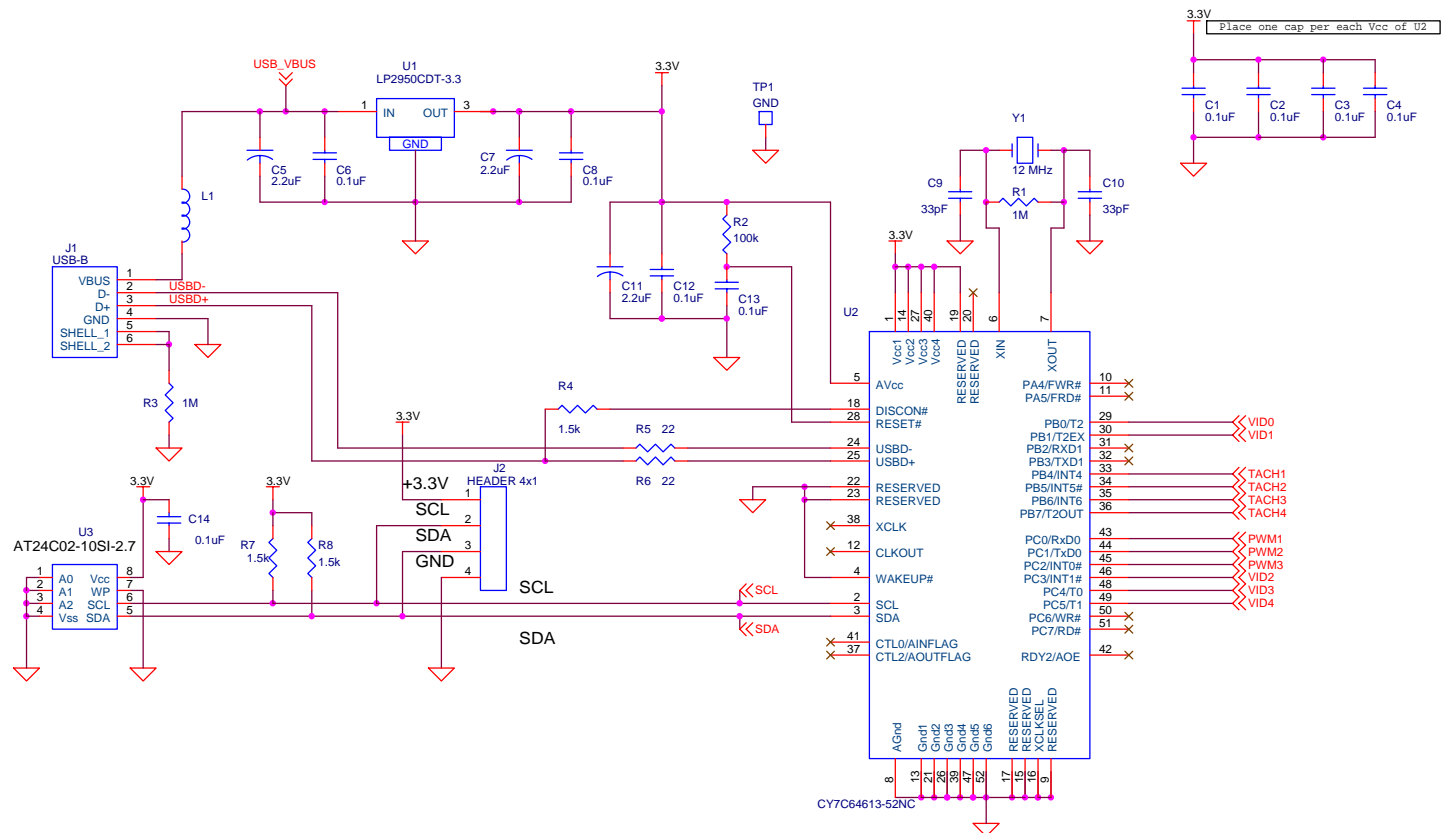
Refer to the electrical schematic, layout and connector diagrams for proper connections to external remote thermal diodes.

## 5.0 Electrical and Mechanical Specifications

### 5.1 Electrical Specifications

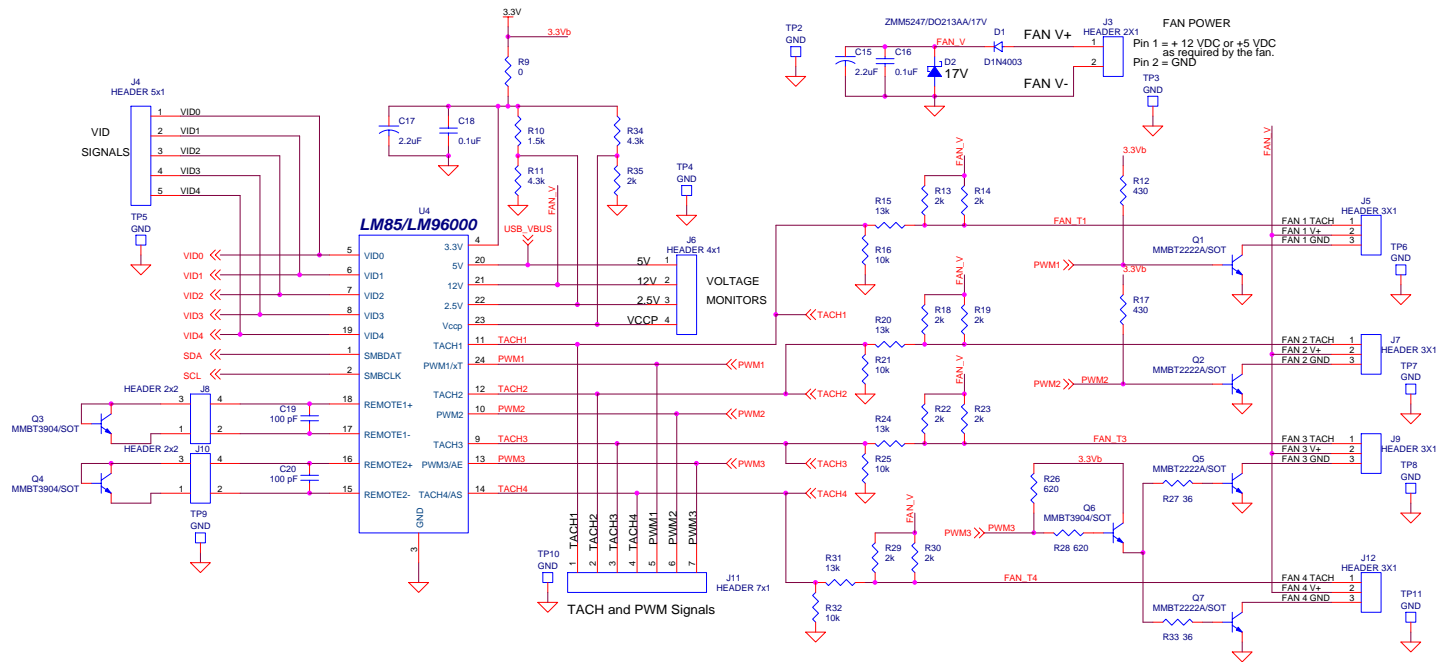
Power Requirements	
The Board uses the +5.0 VDC and GND lines from the USB connection. This +5.0 VDC voltage is regulated down to +3.3 VDC for board power.	+5.0 ± 0.1 V, 100 mA max.
Fan Power – External Power Supply set to +5 VDC or +12 VDC, whichever the fan voltage rating is. Each fan must be rated at 200 mA or less. <b>* USE ONLY 2 FANS AT A TIME – Either Fans 1 and 2 or Fans 3 and 4. *</b>	+5.0 ± 0.1 V, or +12.0 ± 0.1 V, at 500 mA max

### 5.2 Electrical Schematic



Page 1 of 2 Pages of the Schematic of the LM5/LM96000 Evaluation Board

## 5.2 Electrical Schematic (continued)



Page 2 of 2 Pages of the Schematic of the LM85/LM96000 Evaluation Board

### 5.3 Evaluation Board Layout

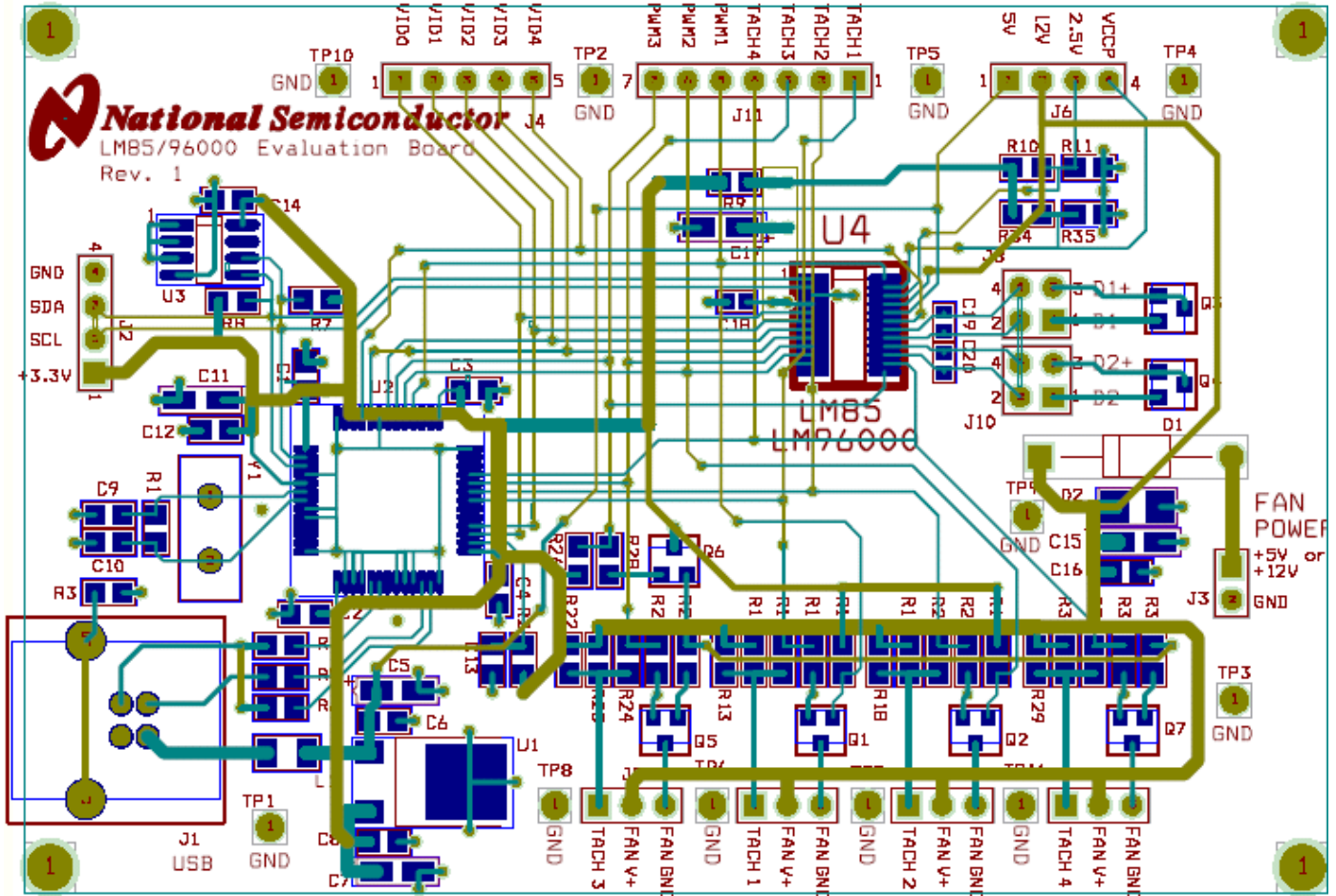


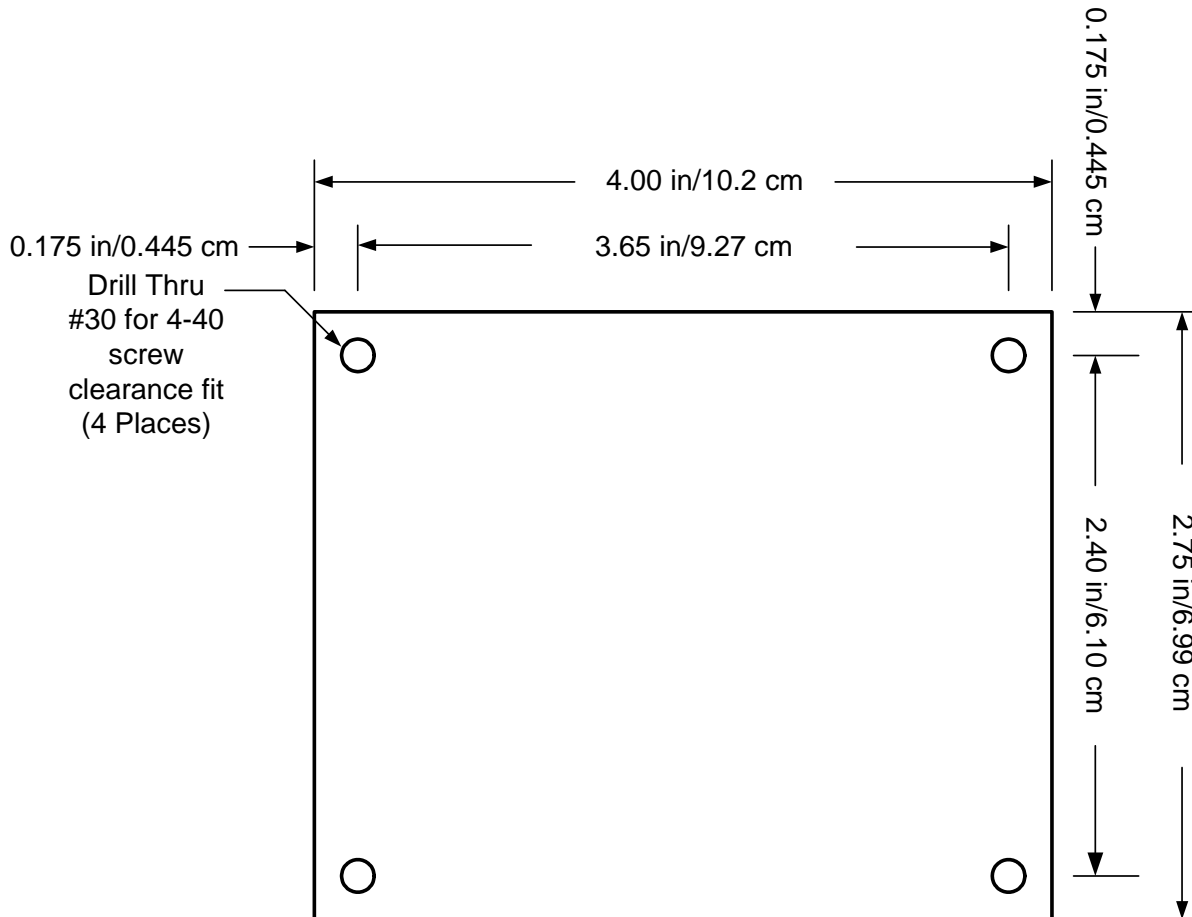
Figure 5.3 Layout diagram of the LM85/LM96000 Evaluation Board

## 5.4 Bill of Materials for LM85/LM96000 Evaluation Board

Item	Quantity	Reference	Part
1	11	C1, C2, C3, C4, C6, C8, C12, C13, C14, C16, C18	Capacitor, Ceramic, 0.1 uF
2	2	C9, C10	Capacitor, ceramic, 33 pF
3	5	C5, C7, C11, C15, C17	Capacitor, electrolytic, 2.2 uF
4	2	C19, C20	Capacitor, ceramic, 100 pF
5	1	D1	Diode, Rectifier, 1N4003
6	1	D2	Diode, Zener, 17V, ZMM5247/DO2113AA/17V
7	1	J1	Connector, USB-B
8	2	J2, J6	Header, 1X4, 0.1 in centers
9	1	J3	Header, 1X2, 0.1 in centers
10	1	J4	Header, 1X5, 0.1 in centers
11	4	J5, J7, J9, J12	Header, 1X3, 0.1 in centers
12	2	J8, J10	Header, 2X2, 0.1 in centers
13	1	J11	Header, 1X7, 0.1 in centers
14	1	L1	Filter, 1uH, Stewart MI1206K900R-00
15	4	Q1, Q2, Q5, Q7	MMBT2222A/SOT Transistor, NPN
16	3	Q3, Q4, Q6	MMBT3904/SOT Transistor, NPN
17	2	R1, R3	Resistor, SMT, 1M, 0805
18	1	R2	Resistor, SMT, 100k, 0805
19	4	R4, R7, R8, R10	Resistor, SMT, 1.5 k, 0805
20	2	R5, R6	Resistor, SMT, 22 Ohm, 0805
21	1	R9	Resistor, SMT, 0 Ohm, 0805
22	2	R11, R34	Resistor, SMT, 4.3k, 0805
23	2	R12, R17	Resistor, SMT, 430 Ohm, 0805
24	9	R13, R14, R18, R19, R22, R23, R29, R30, R35	Resistor, SMT, 2k, 0805
25	4	R15, R20, R24, R32	Resistor, SMT, 10k, 0805
26	4	R16, R21, R25, R31	Resistor, SMT, 13k, 0805
27	2	R26, R28	Resistor, SMT, 620 Ohm, 0805
28	2	R27, R33	Resistor, SMT, 36 Ohms, 0805
29	11	TP1 – TP11	Test Point (Header, 1X1) for Ground
30	1	U1	IC, Voltage Regulator, National LP2950CDT-3.3
31	1	U2	IC, Microcontroller, Cypress CY7C64613-52NC
32	1	U3	IC, EEPROM, Atmel AT24C02-10SI-2.7
33	1	U4	LM85/LM96000CIMF Device Under Test (DUT)
34	1	Y1	Crystal, 12 MHz, Pletronics 2S1200G140
35	1	--	Circuit Board, Fabricated, LM85/LM96000 Evaluation Board, Rev. 1

## 5.5 Mechanical Specifications

### 5.5.1 LM85/LM96000 Evaluation Board Basic Dimensions



### 5.5.3 Electrostatic Discharge (ESD) Precautions

The user shall use ESD precautions as specified in National Semiconductor ESD control document (SC)CSI-3-038 available through [www.national.com](http://www.national.com).



## APPENDIX A

### LM85/LM96000 Evaluation Board Connectors and Test Points

#### J1 USB-B Connector

PIN #	NAME	DESCRIPTION
1	VBUS	+5 VDC on USB Bus
2	USBD-	USB Signal Input
3	USBD+	USB Signal Input
4	GND	System Ground
5, 6	Shell	Connected to ground through a 1 Meg Resistor

#### J2 SMBus Test Connector – 1X4 Header

PIN #	NAME	DESCRIPTION
1	+3.3V	+3.3 VDC chip supply
2	SCL	Serial Clock signal on the SMBus
3	SDA	Serial Data signal on the SMBus
4	GND	System Ground

#### J3 Fan Power Connector – 1X2 Header

PIN #	NAME	DESCRIPTION
1	Fan V+	+5 or +12 VDC supply as required by the fans
2	Fan V-	Return line for the Fan supply. Connected to system ground.

#### J4 VID Signals Test Connector – 1X5 Header

PIN #	NAME	DESCRIPTION
1	VID0	Voltage ID signal 0
2	VID1	Voltage ID signal 1
3	VID2	Voltage ID signal 2
4	VID3	Voltage ID signal 3
5	VID4	Voltage ID signal 4

#### J5 Fan 1 Connector – 1X3 Header

PIN #	NAME	DESCRIPTION
1	Fan 1 Tach	For 3-terminal fans – Open collector tach out – usually a yellow, green, or blue lead.
2	Fan 1 V+	+5 or +12VDC required fan voltage – red lead
3	Fan 1 GND	Fan Voltage return – black lead

#### J6 Voltage Monitors Test Connector – 1X4 Header

PIN #	NAME	DESCRIPTION
1	5V	Connected to the USB +5V input for chip input.
2	12V	Connected to the Fan Power V+ input for chip input.
3	2.5V	Connected to a voltage divider for chip input.
4	VCCP	Connected to a voltage divider for chip input.

**APPENDIX A (Continued)**  
**LM85/LM96000 Evaluation Board Connectors and Test Points**

**J7 Fan 2 Connector – 1X3 Header**

PIN #	NAME	DESCRIPTION
1	Fan 2 Tach	For 3-terminal fans – Open collector tach out – usually a yellow, green, or blue lead.
2	Fan 2 V+	+5 or +12VDC required fan voltage – red lead
3	Fan 2 GND	Fan Voltage return – black lead

**J8 Remote Temperature Diode Input 1 Connector – 2X2 Header**

PIN #	NAME	DESCRIPTION
1	D1-	Connect to cathode of D1. Shunt 1 and 2 to connect Q3 cathode to Remote 1-.
2	Remote 1-	DUT input from remote diode cathode.
3	D1+	Connect to anode of D1. Shunt 3 and 4 to connect Q3 anode to Remote 1+.
4	Remote 1+	DUT input from remote diode anode.

**J9 Fan 3 Connector – 1X3 Header**

PIN #	NAME	DESCRIPTION
1	Fan 3 Tach	For 3-terminal fans – Open collector tach out – usually a yellow, green, or blue lead.
2	Fan 3 V+	+5 or +12VDC required fan voltage – red lead
3	Fan 3 GND	Fan Voltage return – black lead

**J10 Remote Temperature Diode Input 2 Connector – 2X2 Header**

PIN #	NAME	DESCRIPTION
1	D2-	Connect to cathode of D2. Shunt 1 and 2 to connect Q3 cathode to Remote 2-.
2	Remote 1-	DUT input from remote diode cathode.
3	D2+	Connect to anode of D2. Shunt 3 and 4 to connect Q3 anode to Remote 2+.
4	Remote 1+	DUT input from remote diode anode.

**J11 Tach and PWM Test Connector – 1X4 Header**

PIN #	NAME	DESCRIPTION
1	TACH1	Pulled up, and voltage-divided, Fan 1 tach output.
2	TACH2	Pulled up, and voltage-divided, Fan 2 tach output.
3	TACH3	Pulled up, and voltage-divided, Fan 3 tach output.
4	TACH4	Pulled up, and voltage-divided, Fan 4 tach output.
5	PWM1	Pulled up open-collector output of DUT to Fan 1 driver circuit.
6	PWM2	Pulled up open-collector output of DUT to Fan 2 driver circuit.
7	PWM3	Pulled up open-collector output of DUT to Fan 3 and Fan 4 driver circuit.

**APPENDIX A (Continued)**  
**LM85/LM96000 Evaluation Board Connectors and Test Points**

**J12 Fan 4 Connector – 1X3 Header**

PIN #	NAME	DESCRIPTION
1	Fan 4 Tach	For 3-terminal fans – Open collector tach out – usually a yellow, green, or blue lead.
2	Fan 4 V+	+5 or +12VDC required fan voltage – red lead
3	Fan 4 GND	Fan Voltage return – black lead

**TP1 – TP11 Ground Connector – 1X1 Header**

PIN #	NAME	DESCRIPTION
1	GND	System ground.

**BY USING THIS PRODUCT, YOU ARE AGREEING TO BE BOUND BY THE TERMS AND CONDITIONS OF NATIONAL SEMICONDUCTOR'S END USER LICENSE AGREEMENT. DO NOT USE THIS PRODUCT UNTIL YOU HAVE READ AND AGREED TO THE TERMS AND CONDITIONS OF THAT AGREEMENT. IF YOU DO NOT AGREE WITH THEM, CONTACT THE VENDOR WITHIN TEN (10) DAYS OF RECEIPT FOR INSTRUCTIONS ON RETURN OF THE UNUSED PRODUCT FOR A REFUND OF THE PURCHASE PRICE PAID, IF ANY.**

The LM85/LM96000 Evaluation Boards are intended for product evaluation purposes only and are not intended for resale to end consumers, are not authorized for such use and are not designed for compliance with European EMC Directive 89/336/EEC, or for compliance with any other electromagnetic compatibility requirements.

National Semiconductor Corporation does not assume any responsibility for use of any circuitry or software supplied or described. No circuit patent licenses are implied.

## **LIFE SUPPORT POLICY**

**NATIONAL'S PRODUCTS ARE NOT AUTHORIZED FOR USE AS CRITICAL COMPONENTS IN LIFE SUPPORT DEVICES OR SYSTEMS WITHOUT THE EXPRESS WRITTEN APPROVAL OF THE PRESIDENT OF NATIONAL SEMICONDUCTOR CORPORATION. As used herein:**

1. Life support devices or systems are devices or systems which, (a) are intended for surgical implant into the body, or (b) support or sustain life, and whose failure to perform, when properly used in accordance with instructions for use provided in the labeling, can be reasonably expected to result in a significant injury to the user.
2. A critical component is any component in a life support device or system whose failure to perform can be reasonably expected to cause the failure of the life support device or system, or to affect its safety or effectiveness.

### **BANNED SUBSTANCE COMPLIANCE**

National Semiconductor certifies that the products and packing materials meet the provisions of the Customer Products Stewardship Specification (CSP-9-111C2) and the Banned Substances and Materials of Interest Specification (CSP-9-111S2) and contain no "Banned Substances" as defined in CSP-9-111S2.



**National Semiconductor Corporation**  
**Americas Customer Support Center**  
Tel: 1-800-272-9959  
Email: new.feedback@nsc.com

**National Semiconductor Europe Customer Support Center**  
Fax: +49 (0) 1 80-530 85 86  
Email: europe.support@nsc.com  
Deutsch Tel: +49 (0) 699508 6208  
English Tel: +49 (0) 870 24 0 2171  
Français Tel: +49 (0) 141 91 8790

**National Semiconductor Asia Pacific Customer Support Center**  
Email: ap.support@nsc.com

**National Semiconductor Japan Customer Support Center**  
Tel: 81-3-5639-7560  
Fax: 81-3-5639-7507  
Email: jpn.feedback@nsc.com

National does not assume any responsibility for any circuitry described, no circuit patent licenses are implied and National reserves the right at any time without notice to change said circuitry and specifications.