

# LM20

## 2.4V, 10µA, SC70, micro SMD Temperature Sensor

### General Description

The LM20 is a precision analog output CMOS integrated-circuit temperature sensor that operates over a  $-55^{\circ}\text{C}$  to  $+130^{\circ}\text{C}$  temperature range. The power supply operating range is  $+2.4\text{ V}$  to  $+5.5\text{ V}$ . The transfer function of LM20 is predominately linear, yet has a slight predictable parabolic curvature. The accuracy of the LM20 when specified to a parabolic transfer function is  $\pm 1.5^{\circ}\text{C}$  at an ambient temperature of  $+30^{\circ}\text{C}$ . The temperature error increases linearly and reaches a maximum of  $\pm 2.5^{\circ}\text{C}$  at the temperature range extremes. The temperature range is affected by the power supply voltage. At a power supply voltage of  $2.7\text{ V}$  to  $5.5\text{ V}$  the temperature range extremes are  $+130^{\circ}\text{C}$  and  $-55^{\circ}\text{C}$ . Decreasing the power supply voltage to  $2.4\text{ V}$  changes the negative extreme to  $-30^{\circ}\text{C}$ , while the positive remains at  $+130^{\circ}\text{C}$ .

The LM20's quiescent current is less than  $10\text{ }\mu\text{A}$ . Therefore, self-heating is less than  $0.02^{\circ}\text{C}$  in still air. Shutdown capability for the LM20 is intrinsic because its inherent low power consumption allows it to be powered directly from the output of many logic gates or does not necessitate shutdown at all.

### Applications

- Cellular Phones
- Computers
- Power Supply Modules
- Battery Management

- FAX Machines
- Printers
- HVAC
- Disk Drives
- Appliances

### Features

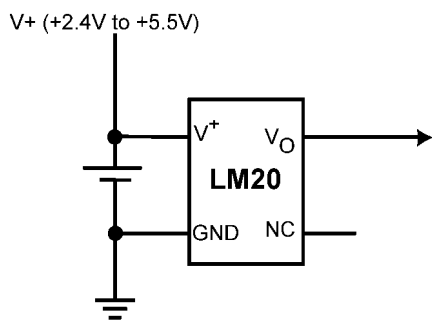
- Rated for full  $-55^{\circ}\text{C}$  to  $+130^{\circ}\text{C}$  range
- Available in an SC70 and micro SMD package
- Predictable curvature error
- Suitable for remote applications

### Key Specifications

■ Accuracy at $+30^{\circ}\text{C}$	$\pm 1.5$ to $\pm 4^{\circ}\text{C}$ (max)
■ Accuracy at $+130^{\circ}\text{C}$ & $-55^{\circ}\text{C}$	$\pm 2.5$ to $\pm 5^{\circ}\text{C}$ (max)
■ Power Supply Voltage Range	$+2.4\text{ V}$ to $+5.5\text{ V}$
■ Current Drain	$10\text{ }\mu\text{A}$ (max)
■ Nonlinearity	$\pm 0.4\%$ (typ)
■ Output Impedance	$160\text{ }\Omega$ (max)
■ Load Regulation	$-2.5\text{ mV}$ (max)
$0\text{ }\mu\text{A} < I_L < +16\text{ }\mu\text{A}$	

### Typical Application

Full-Range Celsius (Centigrade) Temperature Sensor ( $-55^{\circ}\text{C}$  to  $+130^{\circ}\text{C}$ )  
Operating from a Single Li-Ion Battery Cell

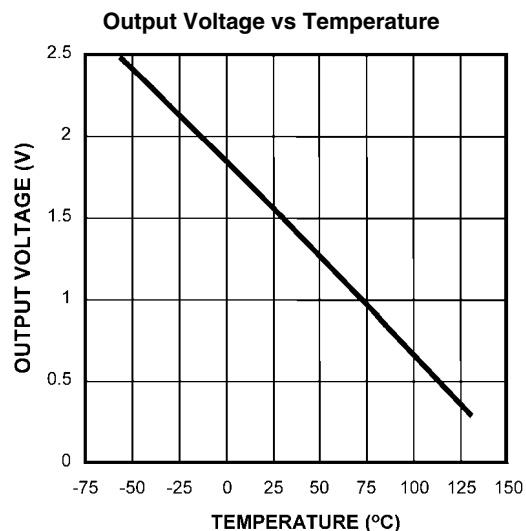


$$V_O = (-3.88 \times 10^{-6} \times T^2) + (-1.15 \times 10^{-2} \times T) + 1.8639$$

$$T = -1481.96 + \sqrt{2.1962 \times 10^6 + \frac{(1.8639 - V_O)}{3.88 \times 10^{-6}}}$$

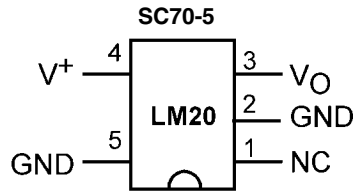
where:

T is temperature, and  $V_O$  is the measured output voltage of the LM20.



Temperature (T)	Typical $V_O$
+130°C	+303 mV
+100°C	+675 mV
+80°C	+919 mV
+30°C	+1515 mV
+25°C	+1574 mV
0°C	+1863.9 mV
-30°C	+2205 mV
-40°C	+2318 mV
-55°C	+2485 mV

## Connection Diagrams

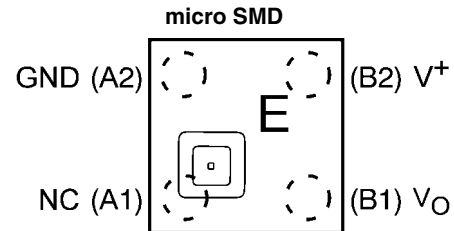


10090801

**Note:**

- GND (pin 2) may be grounded or left floating. For optimum thermal conductivity to the pc board ground plane pin 2 should be grounded.
- NC (pin 1) should be left floating or grounded. Other signal traces should not be connected to this pin.

**Top View**  
See NS Package Number MAA05A



10090832

**Note:**

- Pin numbers are referenced to the package marking text orientation.
- Reference JEDEC Registration MO-211, variation BA
- The actual physical placement of package marking will vary slightly from part to part. The package marking will designate the date code and will vary considerably. Package marking does not correlate to device type in any way.

**Top View**  
See NS Package Number TLA04ZZA

## Ordering Information

Order Number	Temperature Accuracy	Temperature Range	NS Package Number	Device Marking	Transport Media
LM20BIM7	±2.5°C	-55°C to +130°C	MAA05A	T2B	1000 Units on Tape and Reel
LM20BIM7X	±2.5°C	-55°C to +130°C	MAA05A	T2B	3000 Units on Tape and Reel
LM20CIM7	±5°C	-55°C to +130°C	MAA05A	T2C	1000 Units on Tape and Reel
LM20CIM7X	±5°C	-55°C to +130°C	MAA05A	T2C	3000 Units on Tape and Reel
LM20SITL	±3.5°C	-40°C to +125°C	TLA04ZZA	Date Code	250 Units on Tape and Reel
LM20SITLX	±3.5°C	-40°C to +125°C	TLA04ZZA	Date Code	3000 Units on Tape and Reel

**Absolute Maximum Ratings** (Note 1)

Supply Voltage	+6.5V to -0.2V
Output Voltage	(V+ + 0.6 V) to -0.6 V
Output Current	10 mA
Input Current at any pin (Note 2)	5 mA
Storage Temperature	-65°C to +150°C
Maximum Junction Temperature (T <sub>JMAX</sub> )	+150°C
ESD Susceptibility (Note 3)	
Human Body Model	2500 V
Machine Model	250 V

Soldering process must comply with National's  
Reflow Temperature Profile specifications. Refer to  
[www.national.com/packaging](http://www.national.com/packaging). (Note 4)

**Operating Ratings** (Note 1)

Specified Temperature Range:	$T_{MIN} \leq T_A \leq T_{MAX}$
LM20B, LM20C with 2.4 V ≤ V+ ≤ 2.7 V	-30°C ≤ T <sub>A</sub> ≤ +130°C
LM20B, LM20C with 2.7 V ≤ V+ ≤ 5.5 V	-55°C ≤ T <sub>A</sub> ≤ +130°C
LM20S with 2.4 V ≤ V+ ≤ 5.5 V	-30°C ≤ T <sub>A</sub> ≤ +125°C
LM20S with 2.7 V ≤ V+ ≤ 5.5 V	-40°C ≤ T <sub>A</sub> ≤ +125°C
Supply Voltage Range (V+)	+2.4 V to +5.5 V
Thermal Resistance, θ <sub>JA</sub> (Note 5)	
SC-70	415°C/W
micro SMD	340°C/W

**Electrical Characteristics**

Unless otherwise noted, these specifications apply for V+ = +2.7 V<sub>DC</sub>. **Boldface limits apply for T<sub>A</sub> = T<sub>J</sub> = T<sub>MIN</sub> to T<sub>MAX</sub>**; all other limits T<sub>A</sub> = T<sub>J</sub> = 25°C; Unless otherwise noted.

Parameter	Conditions	Typical (Note 6)	LM20B	LM20C	LM20S	Units (Limit)
			Limits (Note 7)	Limits (Note 7)	Limits (Note 7)	
Temperature to Voltage Error V <sub>O</sub> = (-3.88×10 <sup>-6</sup> ×T <sup>2</sup> ) + (-1.15×10 <sup>-2</sup> ×T) + 1.8639V (Note 8)	T <sub>A</sub> = +25°C to +30°C		±1.5	±4.0	±2.5	°C (max)
	T <sub>A</sub> = +130°C		<b>±2.5</b>	<b>±5.0</b>		°C (max)
	T <sub>A</sub> = +125°C		<b>±2.5</b>	<b>±5.0</b>	<b>±3.5</b>	°C (max)
	T <sub>A</sub> = +100°C		<b>±2.2</b>	<b>±4.7</b>	<b>±3.2</b>	°C (max)
	T <sub>A</sub> = +85°C		<b>±2.1</b>	<b>±4.6</b>	<b>±3.1</b>	°C (max)
	T <sub>A</sub> = +80°C		<b>±2.0</b>	<b>±4.5</b>	<b>±3.0</b>	°C (max)
	T <sub>A</sub> = 0°C		<b>±1.9</b>	<b>±4.4</b>	<b>±2.9</b>	°C (max)
	T <sub>A</sub> = -30°C		<b>±2.2</b>	<b>±4.7</b>	<b>±3.3</b>	°C (min)
	T <sub>A</sub> = -40°C		<b>±2.3</b>	<b>±4.8</b>	<b>±3.5</b>	°C (max)
	T <sub>A</sub> = -55°C		<b>±2.5</b>	<b>±5.0</b>		°C (max)
Output Voltage at 0°C		+1.8639				V
Variance from Curve		±1.0				°C
Non-Linearity (Note 9)	-20°C ≤ T <sub>A</sub> ≤ +80°C	±0.4				%
Sensor Gain (Temperature Sensitivity or Average Slope) to equation: V <sub>O</sub> = -11.77 mV/°C × T + 1.860V	-30°C ≤ T <sub>A</sub> ≤ +100°C	-11.77	<b>-11.4</b> <b>-12.2</b>	<b>-11.0</b> <b>-12.6</b>	<b>-11.0</b> <b>-12.6</b>	mV/°C (min) mV/°C (max)
Output Impedance	0 μA ≤ I <sub>L</sub> ≤ +16 μA (Note 11, Note 12)		<b>160</b>	<b>160</b>	<b>160</b>	Ω (max)
Load Regulation (Note 10)	0 μA ≤ I <sub>L</sub> ≤ +16 μA (Note 11, Note 12)		<b>-2.5</b>	<b>-2.5</b>	<b>-2.5</b>	mV (max)
Line Regulation	+2.4 V ≤ V+ ≤ +5.0V		<b>+3.3</b>	<b>+3.7</b>	<b>+3.7</b>	mV/V (max)
	+5.0 V ≤ V+ ≤ +5.5 V		<b>+11</b>	<b>+11</b>	<b>+11</b>	mV (max)
Quiescent Current	+2.4V ≤ V+ ≤ +5.0V	4.5	7	7	7	μA (max)
	+5.0V ≤ V+ ≤ +5.5V	4.5	9	9	9	μA (max)
	+2.4V ≤ V+ ≤ +5.0V	4.5	<b>10</b>	<b>10</b>	<b>10</b>	μA (max)
Change of Quiescent Current	+2.4 V ≤ V+ ≤ +5.5V	+0.7				μA

Parameter	Conditions	Typical (Note 6)	LM20B	LM20C	LM20S	Units (Limit)
			Limits (Note 7)	Limits (Note 7)	Limits (Note 7)	
Temperature Coefficient of Quiescent Current		-11				nA/°C
Shutdown Current	$V_+ \leq +0.8 \text{ V}$	0.02				$\mu\text{A}$

**Note 1:** Absolute Maximum Ratings indicate limits beyond which damage to the device may occur. Operating Ratings indicate conditions for which the device is functional, but do not guarantee specific performance limits. For guaranteed specifications and test conditions, see the Electrical Characteristics. The guaranteed specifications apply only for the test conditions listed. Some performance characteristics may degrade when the device is not operated under the listed test conditions.

**Note 2:** When the input voltage ( $V_I$ ) at any pin exceeds power supplies ( $V_I < \text{GND}$  or  $V_I > V_+$ ), the current at that pin should be limited to 5 mA.

**Note 3:** The human body model is a 100 pF capacitor discharged through a 1.5 k $\Omega$  resistor into each pin. The machine model is a 200 pF capacitor discharged directly into each pin.

**Note 4:** Reflow temperature profiles are different for lead-free and non-lead-free packages.

**Note 5:** The junction to ambient thermal resistance ( $\theta_{JA}$ ) is specified without a heat sink in still air using the printed circuit board layout shown in [Figure 1](#).

**Note 6:** Typicals are at  $T_J = T_A = 25^\circ\text{C}$  and represent most likely parametric norm.

**Note 7:** Limits are guaranteed to National's AOQL (Average Outgoing Quality Level).

**Note 8:** Accuracy is defined as the error between the measured and calculated output voltage at the specified conditions of voltage, current, and temperature (expressed in °C).

**Note 9:** Non-Linearity is defined as the deviation of the calculated output-voltage-versus-temperature curve from the best-fit straight line, over the temperature range specified.

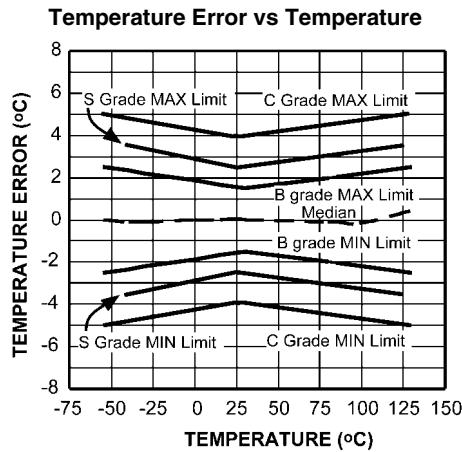
**Note 10:** Regulation is measured at constant junction temperature, using pulse testing with a low duty cycle. Changes in output due to heating effects can be computed by multiplying the internal dissipation by the thermal resistance.

**Note 11:** Negative currents are flowing into the LM20. Positive currents are flowing out of the LM20. Using this convention the LM20 can at most sink  $-1 \mu\text{A}$  and source  $+16 \mu\text{A}$ .

**Note 12:** Load regulation or output impedance specifications apply over the supply voltage range of  $+2.4\text{V}$  to  $+5.5\text{V}$ .

**Note 13:** Line regulation is calculated by subtracting the output voltage at the highest supply input voltage from the output voltage at the lowest supply input voltage.

## Typical Performance Characteristics



10090825

## PCB Layouts Used for Thermal Measurements

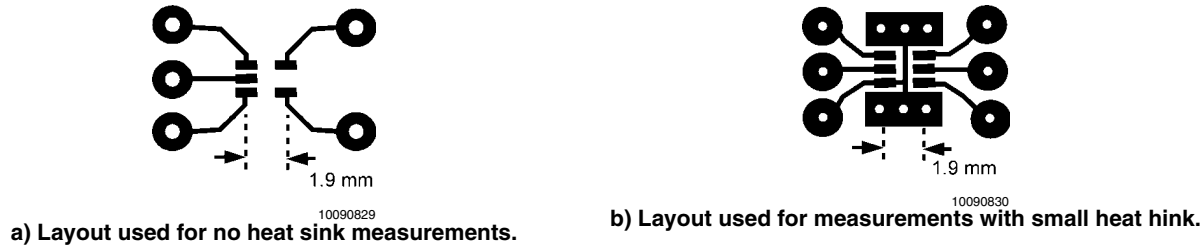


FIGURE 1. PCB Layouts used for thermal measurements.

### 1.0 LM20 Transfer Function

The LM20's transfer function can be described in different ways with varying levels of precision. A simple linear transfer function, with good accuracy near 25°C, is

$$V_O = -11.69 \text{ mV/}^\circ\text{C} \times T + 1.8663 \text{ V}$$

Over the full operating temperature range of -55°C to +130°C, best accuracy can be obtained by using the parabolic transfer function.

$$V_O = (-3.88 \times 10^{-6} \times T^2) + (-1.15 \times 10^{-2} \times T) + 1.8639$$

solving for T:

$$T = -1481.96 + \sqrt{2.1962 \times 10^6 + \frac{(1.8639 - V_O)}{3.88 \times 10^{-6}}}$$

A linear transfer function can be used over a limited temperature range by calculating a slope and offset that give best results over that range. A linear transfer function can be calculated from the parabolic transfer function of the LM20. The slope of the linear transfer function can be calculated using the following equation:

$$m = -7.76 \times 10^{-6} \times T - 0.0115,$$

where T is the middle of the temperature range of interest and m is in V/°C. For example for the temperature range of  $T_{\text{MIN}} = -30$  to  $T_{\text{MAX}} = +100^\circ\text{C}$ :

$$T = 35^\circ\text{C}$$

and

$$m = -11.77 \text{ mV/}^\circ\text{C}$$

The offset of the linear transfer function can be calculated using the following equation:

$$b = (V_{\text{OP}}(T_{\text{MAX}}) + V_{\text{OP}}(T) - m \times (T_{\text{MAX}} + T))/2$$

where:

- $V_{\text{OP}}(T_{\text{MAX}})$  is the calculated output voltage at  $T_{\text{MAX}}$  using the parabolic transfer function for  $V_O$
- $V_{\text{OP}}(T)$  is the calculated output voltage at T using the parabolic transfer function for  $V_O$ .

Using this procedure the best fit linear transfer function for many popular temperature ranges was calculated in [Figure 2](#). As shown in [Figure 2](#) the error that is introduced by the linear transfer function increases with wider temperature ranges.

Temperature Range		Linear Equation $V_O =$	Maximum Deviation of Linear Equation from Parabolic Equation (°C)
$T_{\text{min}}$ (°C)	$T_{\text{max}}$ (°C)		
-55	+130	$-11.79 \text{ mV/}^\circ\text{C} \times T + 1.8528 \text{ V}$	±1.41
-40	+110	$-11.77 \text{ mV/}^\circ\text{C} \times T + 1.8577 \text{ V}$	±0.93
-30	+100	$-11.77 \text{ mV/}^\circ\text{C} \times T + 1.8605 \text{ V}$	±0.70
-40	+85	$-11.67 \text{ mV/}^\circ\text{C} \times T + 1.8583 \text{ V}$	±0.65
-10	+65	$-11.71 \text{ mV/}^\circ\text{C} \times T + 1.8641 \text{ V}$	±0.23
+35	+45	$-11.81 \text{ mV/}^\circ\text{C} \times T + 1.8701 \text{ V}$	±0.004
+20	+30	$-11.69 \text{ mV/}^\circ\text{C} \times T + 1.8663 \text{ V}$	±0.004

FIGURE 2. First order equations optimized for different temperature ranges.

## 2.0 Mounting

The LM20 can be applied easily in the same way as other integrated-circuit temperature sensors. It can be glued or cemented to a surface. The temperature that the LM20 is sensing will be within about  $+0.02^{\circ}\text{C}$  of the surface temperature to which the LM20's leads are attached to.

This presumes that the ambient air temperature is almost the same as the surface temperature; if the air temperature were much higher or lower than the surface temperature, the actual temperature measured would be at an intermediate temperature between the surface temperature and the air temperature.

To ensure good thermal conductivity the backside of the LM20 die is directly attached to the pin 2 GND pin. The temperatures of the lands and traces to the other leads of the LM20 will also affect the temperature that is being sensed.

Alternatively, the LM20 can be mounted inside a sealed-end metal tube, and can then be dipped into a bath or screwed into a threaded hole in a tank. As with any IC, the LM20 and accompanying wiring and circuits must be kept insulated and dry, to avoid leakage and corrosion. This is especially true if the circuit may operate at cold temperatures where condensation can occur. Printed-circuit coatings and varnishes such as Humiseal and epoxy paints or dips are often used to ensure that moisture cannot corrode the LM20 or its connections.

The thermal resistance junction to ambient ( $\theta_{JA}$ ) is the parameter used to calculate the rise of a device junction temperature due to its power dissipation. For the LM20 the equation used to calculate the rise in the die temperature is as follows:

$$T_J = T_A + \theta_{JA} [(V^+ I_Q) + (V^+ - V_O) I_L]$$

where  $I_Q$  is the quiescent current and  $I_L$  is the load current on the output. Since the LM20's junction temperature is the actual temperature being measured care should be taken to minimize the load current that the LM20 is required to drive.

The tables shown in [Figure 3](#) summarize the rise in die temperature of the LM20 without any loading, and the thermal resistance for different conditions.

	SC70-5 no heat sink		SC70-5 small heat sink	
	$\theta_{JA}$ ( $^{\circ}\text{C}/\text{W}$ )	$T_J - T_A$ ( $^{\circ}\text{C}$ )	$\theta_{JA}$ ( $^{\circ}\text{C}/\text{W}$ )	$T_J - T_A$ ( $^{\circ}\text{C}$ )
Still air	412	0.2	350	0.19
Moving air	312	0.17	266	0.15

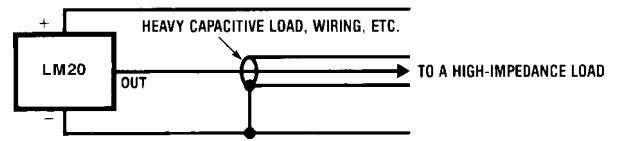
See [Figure 1](#) for PCB layout samples.

	micro SMD no heat sink		micro SMD small heat fin	
	$\theta_{JA}$ ( $^{\circ}\text{C}/\text{W}$ )	$T_J - T_A$ ( $^{\circ}\text{C}$ )	$\theta_{JA}$ ( $^{\circ}\text{C}/\text{W}$ )	$T_J - T_A$ ( $^{\circ}\text{C}$ )
Still air	340	0.18	TBD	TBD
Moving air	TBD	TBD	TBD	TBD

**FIGURE 3. Temperature Rise of LM20 Due to Self-Heating and Thermal Resistance ( $\theta_{JA}$ )**

## 3.0 Capacitive Loads

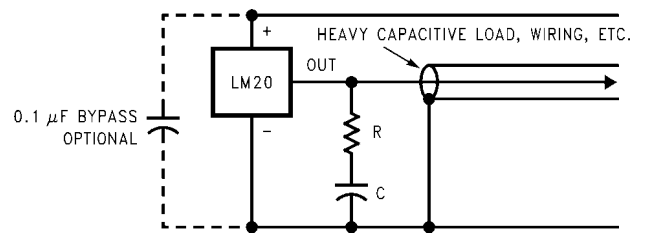
The LM20 handles capacitive loading well. Without any precautions, the LM20 can drive any capacitive load less than 300 pF as shown in [Figure 4](#). Over the specified temperature range the LM20 has a maximum output impedance of 160  $\Omega$ . In an extremely noisy environment it may be necessary to add some filtering to minimize noise pickup. It is recommended that 0.1  $\mu\text{F}$  be added from  $V^+$  to GND to bypass the power supply voltage, as shown in [Figure 5](#). In a noisy environment it may even be necessary to add a capacitor from the output to ground with a series resistor as shown in [Figure 5](#). A 1  $\mu\text{F}$  output capacitor with the 160  $\Omega$  maximum output impedance and a 200  $\Omega$  series resistor will form a 442 Hz lowpass filter. Since the thermal time constant of the LM20 is much slower, the overall response time of the LM20 will not be significantly affected.



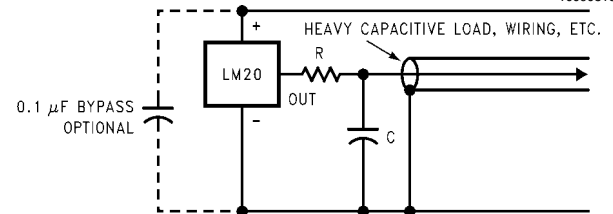
10090815

**FIGURE 4. LM20 No Decoupling Required for Capacitive Loads Less than 300 pF.**

R ( $\Omega$ )	C ( $\mu\text{F}$ )
200	1
470	0.1
680	0.01
1 k	0.001



10090816



10090833

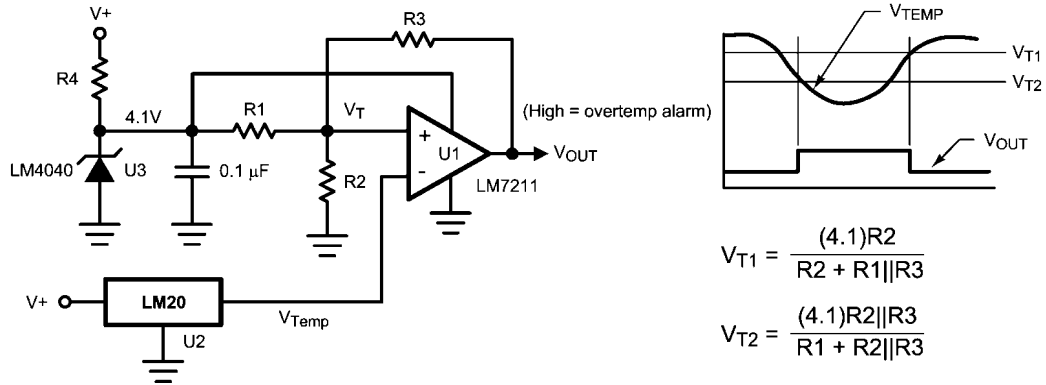
**FIGURE 5. LM20 with Filter for Noisy Environment and Capacitive Loading greater than 300 pF. Either placement of resistor as shown above is just as effective.**

### 4.0 LM20 micro SMD Light Sensitivity

Exposing the LM20 micro SMD package to bright sunlight may cause the output reading of the LM20 to drop by 1.5V. In a normal office environment of fluorescent lighting the output voltage is minimally affected (less than a millivolt drop). In either case it is recommended that the LM20 micro SMD be

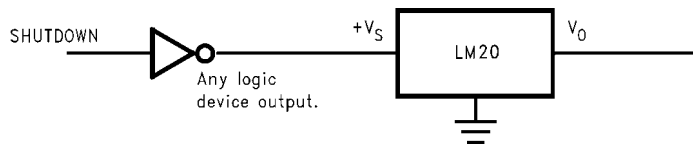
placed inside an enclosure of some type that minimizes its light exposure. Most chassis provide more than ample protection. The LM20 does not sustain permanent damage from light exposure. Removing the light source will cause LM20's output voltage to recover to the proper value.

### 5.0 Applications Circuits



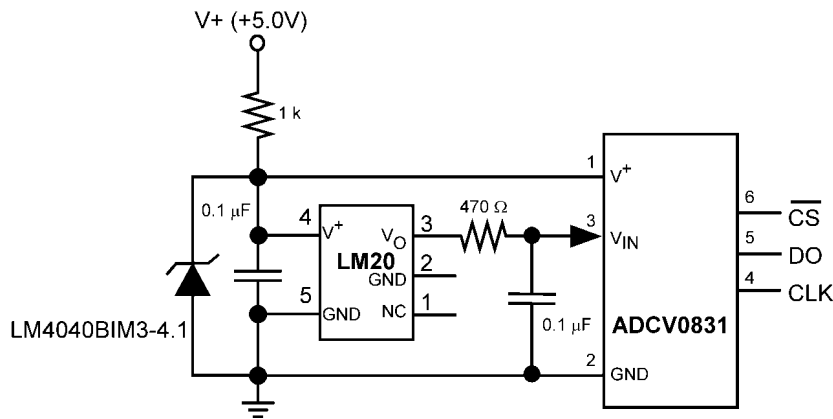
10090818

FIGURE 6. Centigrade Thermostat



10090819

FIGURE 7. Conserving Power Dissipation with Shutdown

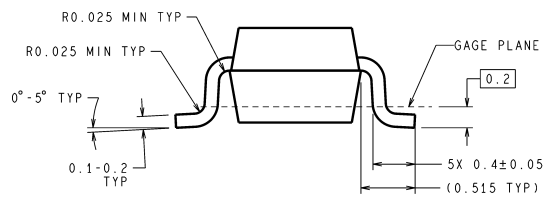
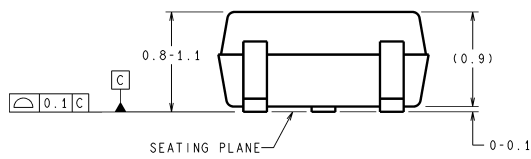
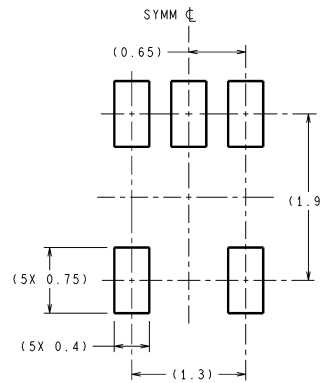
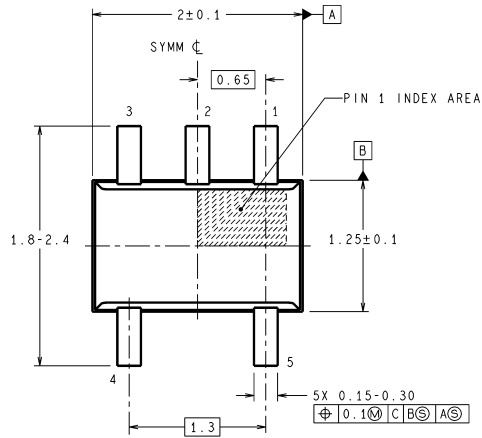


10090828

Most CMOS ADCs found in ASICs have a sampled data comparator input structure that is notorious for causing grief to analog output devices such as the LM20 and many op amps. The cause of this grief is the requirement of instantaneous charge of the input sampling capacitor in the ADC. This requirement is easily accommodated by the addition of a capacitor. Since not all ADCs have identical input stages, the charge requirements will vary necessitating a different value of compensating capacitor. This ADC is shown as an example only. If a digital output temperature is required please refer to devices such as the LM74.

FIGURE 8. Suggested Connection to a Sampling Analog to Digital Converter Input Stage

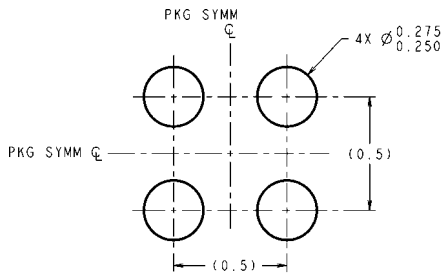
**Physical Dimensions** inches (millimeters) unless otherwise noted



DIMENSIONS ARE IN MILLIMETERS  
DIMENSIONS IN ( ) FOR REFERENCE ONLY

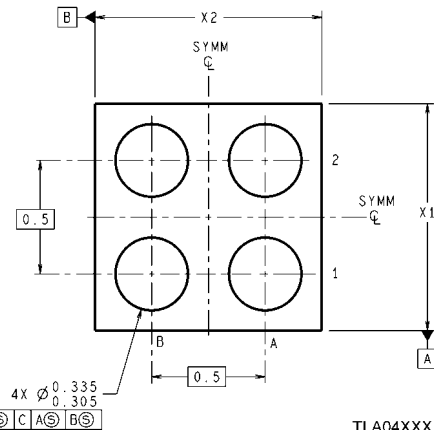
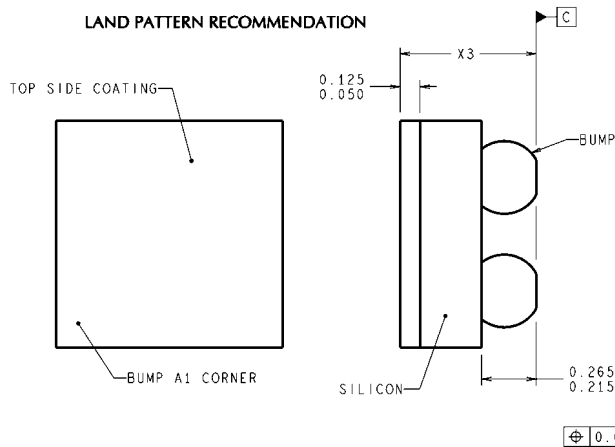
**5-Lead SC70 Molded Package**  
Order Number LM20BIM7 or LM20CIM7X  
NS Package Number MAA05A

MAA05A (Rev D)



DIMENSIONS ARE IN MILLIMETERS  
DIMENSIONS IN ( ) FOR REFERENCE ONLY

LAND PATTERN RECOMMENDATION



4X Ø 0.335  
0.305  
⊕ 0.005 C A B

TLA04XXX (Rev D)

**4-Bump micro SMD Ball Grid Array Package (Large Bump)**  
Order Number LM20SITL or LM20SITLX  
NS Package Number TLA04ZZA  
The following dimensions apply to the TLA04ZZA package  
shown above: X1 = X2 = 963µm ±30µm, X3 = 600µm ±75µm



# Notes

LM20

## Notes

For more National Semiconductor product information and proven design tools, visit the following Web sites at:  
[www.national.com](http://www.national.com)

Products		Design Support	
Amplifiers	<a href="http://www.national.com/amplifiers">www.national.com/amplifiers</a>	WEBENCH® Tools	<a href="http://www.national.com/webench">www.national.com/webench</a>
Audio	<a href="http://www.national.com/audio">www.national.com/audio</a>	App Notes	<a href="http://www.national.com/appnotes">www.national.com/appnotes</a>
Clock and Timing	<a href="http://www.national.com/timing">www.national.com/timing</a>	Reference Designs	<a href="http://www.national.com/refdesigns">www.national.com/refdesigns</a>
Data Converters	<a href="http://www.national.com/adc">www.national.com/adc</a>	Samples	<a href="http://www.national.com/samples">www.national.com/samples</a>
Interface	<a href="http://www.national.com/interface">www.national.com/interface</a>	Eval Boards	<a href="http://www.national.com/evalboards">www.national.com/evalboards</a>
LVDS	<a href="http://www.national.com/lvds">www.national.com/lvds</a>	Packaging	<a href="http://www.national.com/packaging">www.national.com/packaging</a>
Power Management	<a href="http://www.national.com/power">www.national.com/power</a>	Green Compliance	<a href="http://www.national.com/quality/green">www.national.com/quality/green</a>
Switching Regulators	<a href="http://www.national.com/switchers">www.national.com/switchers</a>	Distributors	<a href="http://www.national.com/contacts">www.national.com/contacts</a>
LDOs	<a href="http://www.national.com/lido">www.national.com/lido</a>	Quality and Reliability	<a href="http://www.national.com/quality">www.national.com/quality</a>
LED Lighting	<a href="http://www.national.com/led">www.national.com/led</a>	Feedback/Support	<a href="http://www.national.com/feedback">www.national.com/feedback</a>
Voltage References	<a href="http://www.national.com/vref">www.national.com/vref</a>	Design Made Easy	<a href="http://www.national.com/easy">www.national.com/easy</a>
PowerWise® Solutions	<a href="http://www.national.com/powerwise">www.national.com/powerwise</a>	Applications & Markets	<a href="http://www.national.com/solutions">www.national.com/solutions</a>
Serial Digital Interface (SDI)	<a href="http://www.national.com/sdi">www.national.com/sdi</a>	Mil/Aero	<a href="http://www.national.com/milaero">www.national.com/milaero</a>
Temperature Sensors	<a href="http://www.national.com/tempensors">www.national.com/tempensors</a>	SolarMagic™	<a href="http://www.national.com/solarmagic">www.national.com/solarmagic</a>
PLL/VCO	<a href="http://www.national.com/wireless">www.national.com/wireless</a>	PowerWise® Design University	<a href="http://www.national.com/training">www.national.com/training</a>

THE CONTENTS OF THIS DOCUMENT ARE PROVIDED IN CONNECTION WITH NATIONAL SEMICONDUCTOR CORPORATION ("NATIONAL") PRODUCTS. NATIONAL MAKES NO REPRESENTATIONS OR WARRANTIES WITH RESPECT TO THE ACCURACY OR COMPLETENESS OF THE CONTENTS OF THIS PUBLICATION AND RESERVES THE RIGHT TO MAKE CHANGES TO SPECIFICATIONS AND PRODUCT DESCRIPTIONS AT ANY TIME WITHOUT NOTICE. NO LICENSE, WHETHER EXPRESS, IMPLIED, ARISING BY ESTOPPEL OR OTHERWISE, TO ANY INTELLECTUAL PROPERTY RIGHTS IS GRANTED BY THIS DOCUMENT.

TESTING AND OTHER QUALITY CONTROLS ARE USED TO THE EXTENT NATIONAL DEEMS NECESSARY TO SUPPORT NATIONAL'S PRODUCT WARRANTY. EXCEPT WHERE MANDATED BY GOVERNMENT REQUIREMENTS, TESTING OF ALL PARAMETERS OF EACH PRODUCT IS NOT NECESSARILY PERFORMED. NATIONAL ASSUMES NO LIABILITY FOR APPLICATIONS ASSISTANCE OR BUYER PRODUCT DESIGN. BUYERS ARE RESPONSIBLE FOR THEIR PRODUCTS AND APPLICATIONS USING NATIONAL COMPONENTS. PRIOR TO USING OR DISTRIBUTING ANY PRODUCTS THAT INCLUDE NATIONAL COMPONENTS, BUYERS SHOULD PROVIDE ADEQUATE DESIGN, TESTING AND OPERATING SAFEGUARDS.

EXCEPT AS PROVIDED IN NATIONAL'S TERMS AND CONDITIONS OF SALE FOR SUCH PRODUCTS, NATIONAL ASSUMES NO LIABILITY WHATSOEVER, AND NATIONAL DISCLAIMS ANY EXPRESS OR IMPLIED WARRANTY RELATING TO THE SALE AND/OR USE OF NATIONAL PRODUCTS INCLUDING LIABILITY OR WARRANTIES RELATING TO FITNESS FOR A PARTICULAR PURPOSE, MERCHANTABILITY, OR INFRINGEMENT OF ANY PATENT, COPYRIGHT OR OTHER INTELLECTUAL PROPERTY RIGHT.

### LIFE SUPPORT POLICY

**NATIONAL'S PRODUCTS ARE NOT AUTHORIZED FOR USE AS CRITICAL COMPONENTS IN LIFE SUPPORT DEVICES OR SYSTEMS WITHOUT THE EXPRESS PRIOR WRITTEN APPROVAL OF THE CHIEF EXECUTIVE OFFICER AND GENERAL COUNSEL OF NATIONAL SEMICONDUCTOR CORPORATION.** As used herein:

Life support devices or systems are devices which (a) are intended for surgical implant into the body, or (b) support or sustain life and whose failure to perform when properly used in accordance with instructions for use provided in the labeling can be reasonably expected to result in a significant injury to the user. A critical component is any component in a life support device or system whose failure to perform can be reasonably expected to cause the failure of the life support device or system or to affect its safety or effectiveness.

National Semiconductor and the National Semiconductor logo are registered trademarks of National Semiconductor Corporation. All other brand or product names may be trademarks or registered trademarks of their respective holders.

Copyright© 2010 National Semiconductor Corporation

For the most current product information visit us at [www.national.com](http://www.national.com)



**National Semiconductor  
Americas Technical  
Support Center**  
Email: [support@nsc.com](mailto:support@nsc.com)  
Tel: 1-800-272-9959

**National Semiconductor Europe  
Technical Support Center**  
Email: [europe.support@nsc.com](mailto:europe.support@nsc.com)

**National Semiconductor Asia  
Pacific Technical Support Center**  
Email: [ap.support@nsc.com](mailto:ap.support@nsc.com)

**National Semiconductor Japan  
Technical Support Center**  
Email: [jpn.feedback@nsc.com](mailto:jpn.feedback@nsc.com)