

Memsic 2125 Accelerometer Demo Kit (#28017)

Acceleration, Tilt, and Rotation Measurement

Introduction

The Memsic 2125 is a low cost, dual-axis thermal accelerometer capable of measuring dynamic acceleration (vibration) and static acceleration (gravity) with a range of ± 2 g. For integration into existing applications, the Memsic 2125 is electrically compatible with other popular accelerometers.

What kind of things can be done with the Memsic 2125 accelerometer? While there are many possibilities, here's a small list of ideas that can be realized with a Memsic 2125 and the Parallax BASIC Stamp[®] microcontroller:

- Dual-axis tilt sensing for autonomous robotics applications (BOE-Bot, Toddler, SumoBot)
- Single-axis rotational position sensing
- Movement/Lack-of-movement sensing for alarm systems

Packing List

Verify that your Memsic 2125 Demo Kit is complete in accordance with the list below:

- Parallax Memsic 2125 Demo PCB (uses Memsic MXD2125GL)
- Documentation

Note: Demonstration software files may be downloaded from www.parallax.com.

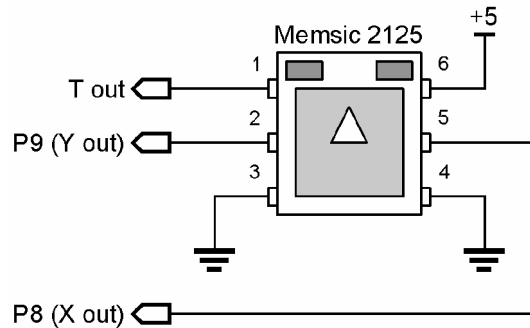
Features

- Measure 0 to ± 2 g on either axis; less than 1 mg resolution
- Fully temperature compensated over 0° to 70° C range
- Simple, pulse output of g-force for X and Y axis – direct connection to BASIC Stamp
- Analog output of temperature (TOut pin)
- Low current operation: less than 4 mA at 5 vdc

Connections

Connecting the Memsic 2125 to the BASIC Stamp is a straightforward operation, requiring just two IO pins. If single-axis tilt of less than 60 degrees is your requirement, only one output from the Memsic 2125 need be connected. See Figure 1 for connection details.

Figure 1. Essential Memsic 2125 Connections

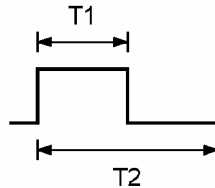


How It Works

Internally, the Memsic 2125 contains a small heater. This heater warms a "bubble" of air within the device. When gravitational forces act on this bubble it moves. This movement is detected by very sensitive thermopiles (temperature sensors) and the onboard electronics convert the bubble position [relative to g-forces] into pulse outputs for the X and Y axis.

The pulse outputs from the Memsic 2125 are set to a 50% duty cycle at 0 g. The duty cycle changes in proportion to acceleration and can be directly measured by the BASIC Stamp. Figure 2 shows the duty cycle output from the Memsic 2125 and the formula for calculating g force.

Figure 2. Memsic 2125 Pulse Output



$$A(g) = ((T1 / T2) - 0.5) / 12.5\%$$

The T2 duration is calibrated to 10 milliseconds at 25° C (room temperature). Knowing this, we can convert the formula to the following BASIC Stamp routine:

```
Read_X_Force:
  PULSIN Xin, HiPulse, xRaw
  xRaw = xRaw */ Scale
  xGForce = ((xRaw / 10) - 500) * 8
  RETURN
```

The T1 duration (Memsic output) is captured by PULSIN in the variable *xRaw*. Since each BASIC Stamp module has its own speed and will return a different raw value for the pulse, the factor called *Scale* (set by the compiler based on the BASIC Stamp module installed) is used to convert the raw output to microseconds. This will allow the program to operate properly with any BASIC Stamp 2-series module. At this point the standard equation provided by Memsic can be applied, adjusting the values to account for the pulse-width in microseconds. Fortunately, one divided by divided by 0.125 (12.5%) is eight, hence the final multiplication. The result is a signed value representing g-force in milli-g's (1/1000th g).

Experiments

Experiment 1: Dual-Axis Tilt Measurement

This experiment reads both axis values and displays the results in the DEBUG window. Calculations for g-force measurement and conversion to tilt were taken directly from Memsic documentation. Since the BASIC Stamp does not have an Arcsine function, it must be derived. Code for Arccosine and Arcsine are provided courtesy Tracy Allen, Ph.D.

```
' =====
'
' File..... MEMSIC2125-Dual.BS2
' Purpose... Memsic 2125 Accelerometer Dual-Axis Demo
' Author.... (C) 2003-2004 Parallax, Inc -- All Rights Reserved
' E-mail.... support@parallax.com
' Started...
' Updated... 07 SEP 2004
'
'   {$STAMP BS2}
'   {$PBASIC 2.5}
'
' =====

' -----[ Program Description ]-----
'
' Read the pulse outputs from a Memsic 2125 accelerometer and converts to
' G-force and tilt angle.
'
' g = ((t1 / 10 ms) - 0.5) / 12.5%
'
' Tilt = ARCSIN(g)
'
' Refer to Memsic documentation (AN-00MX-007.PDF) for details on g-to-tilt
' conversion and considerations.
'
' www.memsic.com

' -----[ Revision History ]-----

' -----[ I/O Definitions ]-----

Xin          PIN      8          ' X input from Memsic 2125
Yin          PIN      9          ' Y input from Memsic 2125

' -----[ Constants ]-----

' Set scale factor for PULSIN

#SELECT $STAMP
#CASE BS2, BS2E
  Scale      CON      $200      ' 2.0 us per unit
#CASE BS2SX
  Scale      CON      $0CC      ' 0.8 us per unit
#CASE BS2P
```

```

    Scale      CON      $0C0      ' 0.75 us per unit
#CASE BS2PE
    Scale      CON      $1E1      ' 1.88 us per unit
#ENDSELECT

HiPulse      CON      1          ' measure high-going pulse
LoPulse      CON      0

DegSym       CON      176       ' degrees symbol

' -----[ Variables ]-----

xRaw         VAR      Word      ' pulse from Memsic 2125
xmG          VAR      Word      ' g force (1000ths)
xTilt        VAR      Word      ' tilt angle

yRaw         VAR      Word
ymG          VAR      Word
yTilt        VAR      Word

disp         VAR      Byte      ' displacement (0.0 - 0.99)
angle        VAR      Byte      ' tilt angle

' -----[ EEPROM Data ]-----

' -----[ Initialization ]-----

Setup:
  PAUSE 250          ' let DEBUG window open
  DEBUG "Memsic 2125 Accelerometer", CR,
    "-----"

' -----[ Program Code ]-----

Main:
  DO
    GOSUB Read_Tilt      ' reads G-force and Tilt

    ' display results

    DEBUG CRSRXY, 0, 3
    DEBUG "X Input... ",
      DEC (xRaw / 1000), ".", DEC3 xRaw, " ms",
      CLREOL, CR,
      "G Force... ", (xmG.BIT15 * 13 + " "),
      DEC (ABS xmG / 1000), ".", DEC3 (ABS xmG), " g",
      CLREOL, CR,
      "X Tilt.... ", (xTilt.BIT15 * 13 + " "),
      DEC ABS xTilt, DegSym, CLREOL

    DEBUG CRSRXY, 0, 7
    DEBUG "Y Input... ",
      DEC (yRaw / 1000), ".", DEC3 yRaw, " ms",
      CLREOL, CR,
      "G Force... ", (ymG.BIT15 * 13 + " "),
      DEC (ABS ymG / 1000), ".", DEC3 (ABS ymG), " g",

```

```

        CLREOL, CR,
        "Y Tilt.... ", (yTilt.BIT15 * 13 + " "),
        DEC ABS yTilt, DegSym, CLREOL

    PAUSE 200                                ' update about 5x/second
LOOP
END

' -----[ Subroutines ]-----

Read_G_Force:
    PULSIN Xin, HiPulse, xRaw                ' read pulse output
    xRaw = xRaw */ Scale                     ' convert to uSecs
    xmG = ((xRaw / 10) - 500) * 8           ' calc 1/1000 g
    PULSIN Yin, HiPulse, yRaw
    yRaw = yRaw */ Scale
    ymG = ((yRaw / 10) - 500) * 8
    RETURN

Read_Tilt:
    GOSUB Read_G_Force
    disp = ABS xmG / 10 MAX 99               ' x displacement
    GOSUB Arcsine
    xTilt = angle * (-2 * xmG.BIT15 + 1)    ' fix sign
    disp = ABS ymG / 10 MAX 99             ' y displacement
    GOSUB Arcsine
    yTilt = angle * (-2 * ymG.BIT15 + 1)    ' fix sign
    RETURN

' Trig routines courtesy Tracy Allen, PhD. (www.emesystems.com)

Arccosine:
    disp = disp */ 983 / 3                  ' normalize input to 127
    angle = 63 - (disp / 2)                 ' approximate angle
    DO                                      ' find angle
        IF (COS angle <= disp) THEN EXIT
        angle = angle + 1
    LOOP
    angle = angle */ 360                    ' convert brads to degrees
    RETURN

Arcsine:
    GOSUB Arccosine
    angle = 90 - angle
    RETURN

```

Experiment 2: Rotational Position Sensing

If the Memsic 2125 is tilted up on its edge (X axis), the X and Y outputs can be combined to measure rotational position. Output from this program is in Brads (binary radians, 0 to 255, the BASIC Stamp's unit of angular measurement) and degrees (0 to 359).

For this code to work, the Memsic 2125 PCB must be positioned such that the sensor is perpendicular to the ground.

```
' =====
'
' File..... MEMSIC2125-Rotation.BS2
' Purpose... Memsic 2125 Accelerometer Rotational Angle Measurement
' Author.... (C) 2003-2004 Parallax, Inc -- All Rights Reserved
' E-mail.... support@parallax.com
' Started...
' Updated... 07 SEP 2004
'
'   {$STAMP BS2}
'   {$PBASIC 2.5}
'
' =====

' -----[ Program Description ]-----
'
' Read the pulse outputs from a Memsic 2125 accelerometer and combine to
' calculation rotational position.
'
' Refer to Memsic documentation (AN-00MX-007.PDF) for details on angle
' conversion and considerations.
'
' www.memsic.com

' -----[ I/O Definitions ]-----

Xin          PIN      8          ' X input from Memsic 2125
Yin          PIN      9          ' Y input from Memsic 2125

' -----[ Constants ]-----

' Set scale factor for PULSIN

#SELECT $STAMP
#CASE BS2, BS2E
  Scale      CON      $200      ' 2.0 us per unit
#CASE BS2SX
  Scale      CON      $0CC      ' 0.8 us per unit
#CASE BS2P
  Scale      CON      $0C0      ' 0.75 us per unit
#CASE BS2PE
  Scale      CON      $1E1      ' 1.88 us per unit
#ENDSELECT

HiPulse      CON      1          ' measure high-going pulse
LoPulse      CON      0
```

```

DegSym          CON      176          ' degrees symbol

' -----[ Variables ]-----

pulse          VAR      Word          ' pulse input
xmG            VAR      Word          ' g force (1000ths)
ymG            VAR      Word
brads          VAR      Word          ' binary radians
degrees        VAR      Word

' -----[ Initialization ]-----

Setup:
  DEBUG "Memsic 2125 Rotation", CR,
    "-----"

' -----[ Program Code ]-----

Main:
  DO
    GOSUB Read_G_Force          ' read X and Y

    brads = (xmG / 8) ATN (ymG / 8)          ' calculate angle
    degrees = brads * / 360                ' convert to degrees

    DEBUG CRSRXY, 0, 3
    DEBUG "Axis  A(g)", CR,
      "X      ", (xmG.BIT15 * 13 + " "),
      DEC (ABS xmG / 1000), ".", DEC3 (ABS xmG), " g", CR,
      "Y      ", (ymG.BIT15 * 13 + " "),
      DEC (ABS ymG / 1000), ".", DEC3 (ABS ymG), " g", CR, CR,
      "Tilt = ", DEC3 brads, " Brads", CR,
      "      ", DEC3 degrees, " Degrees"

    PAUSE 200                          ' update about 5x/second
  LOOP
END

' -----[ Subroutines ]-----

Read_G_Force:
  PULSIN Xin, HiPulse, pulse          ' read pulse output
  pulse = pulse * / Scale              ' convert to uSecs
  xmG = ((pulse / 10) - 500) * 8      ' calc 1/1000 g
  PULSIN Yin, HiPulse, pulse
  pulse = pulse * / Scale
  ymG = ((pulse / 10) - 500) * 8
RETURN

```

Experiment 3: Motion Detector

This experiment uses the Memsic 2125 as a movement or vibration detector. The program starts by reading the initial state of the sensor and storing these readings as calibration values. By doing this, the starting position of the sensor is nullified. The main loop of the program reads the sensor and compares the current outputs to the calibration values. If the output from either axis is greater than its calibration value the motion timer is incremented. If both fall below the thresholds motion timer is cleared. If the motion timer exceeds its threshold, the alarm will be turned on and will stay on until the BASIC Stamp is reset.

You can adjust the sensitivity (to motion/vibration) of the program by changing the **XLimit** and **YLimit** constants, as well as the **SampleDelay** constant (should be 100 ms or greater). The **AlarmLevel** constant determines how long motion/vibration must be present before triggering the alarm.

```
' =====
'
' File..... MEMSIC2125-Motion.BS2
' Purpose... Detects continuous motion for given period
' Author.... Parallax (based on code by A. Chaturvedi of Memsic)
' E-mail.... support@parallax.com
' Started...
' Updated... 15 JAN 2003
'
'   {$STAMP BS2}
'   {$PBASIC 2.5}
'
' =====

' -----[ Program Description ]-----
'
' Monitors X and Y inputs from Memsic 2125 and will trigger alarm if
' continuous motion is detected beyond the threshold period.

' -----[ I/O Definitions ]-----

Xin           PIN      8           ' X pulse input
Yin           PIN      9           ' Y pulse input
ResetLED      PIN     10           ' reset LED
AlarmLED      PIN     11           ' alarm LED

' -----[ Constants ]-----

HiPulse       CON      1           ' measure high-going pulse
LoPulse       CON      0

SampleDelay   CON     500         ' 0.5 sec
AlarmLevel    CON      5           ' 5 x SampleDelay

XLimit        CON      5           ' x motion max
YLimit        CON      5           ' y motion max

' -----[ Variables ]-----
```



```

xCal          VAR      Word          ' x calibration value
yCal          VAR      Word          ' y calibration value
xMove        VAR      Word          ' x sample
yMove        VAR      Word          ' y sample
xDiff        VAR      Word          ' x axis difference
yDiff        VAR      Word          ' y axis difference

moTimer      VAR      Word          ' motion timer

' -----[ Initialization ]-----

Initialize:
  LOW AlarmLED          ' alarm off
  moTimer = 0          ' clear motion timer

Read_Cal_Values:
  PULSIN Xin, HiPulse, xCal          ' read calibration values
  PULSIN Yin, HiPulse, yCal
  xCal = xCal / 10          ' filter for noise & temp
  yCal = yCal / 10

  HIGH ResetLED          ' show reset complete
  PAUSE 1000
  LOW ResetLED

' -----[ Program Code ]-----

Main:
  DO
    GOSUB Get_Data          ' read inputs
    xDiff = ABS (xMove - xCal)          ' check for motion
    yDiff = ABS (yMove - yCal)

    IF (xDiff > XLimit) OR (yDiff > YLimit) THEN
      moTimer = moTimer + 1          ' update motion timer
      IF (moTimer > AlarmLevel) THEN Alarm_On
    ELSE
      moTimer = 0          ' clear motion timer
    ENDIF
  LOOP
END

' -----[ Subroutines ]-----

' Sample and filter inputs

Get_Data:
  PULSIN Xin, HiPulse, xMove          ' take first reading
  PULSIN Yin, HiPulse, yMove
  xMove = xMove / 10          ' filter for noise & temp
  yMove = yMove / 10
  PAUSE SampleDelay
  RETURN

' Blink Alarm LED
' -- will run until BASIC Stamp is reset

```

```
Alarm_On:
  DO
    TOGGLE AlarmLED          ' blink alarm LED
    PAUSE 250
  LOOP                       ' loop until reset
```

Application Idea

Using the tilt code from Experiment 1, you can create a 3D joystick by mounting the Memsic 2125 and a pushbutton in a small, spherical enclosure (like a tennis ball). With just three pins you can measure tilt of each axis and the status of the switch. This would make an interesting, intelligent "leash" for a Parallax BOE-Bot.

Using TOut

Since the Memsic 2125 is a thermal device, the temperature is available from the TOut pin and can be measured using an external analog to digital converter (i.e., LTC1298).

Details:

- Output calibrated to 1.25 volts @ 25.0° C
- Output change: 5 millivolts per degree C