

AS5163

12 bit Programmable Magnetic Angle Position Encoder

AS5163-DB-1.0 Demoboard

OPERATION MANUAL

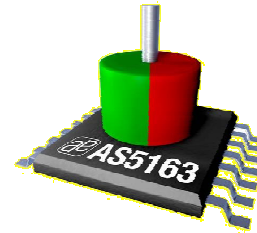
1 General Description

The AS5163 is a contactless magnetic angle position sensor for accurate angular measurement over a full turn of 360°. A sub range can be programmed to achieve the best resolution for the application. It is a system-on-chip, combining integrated Hall elements, analog front end, digital signal processing and best in class automotive protection features in a single device.

To measure the angle, only a simple two-pole magnet, rotating over the center of the chip, is required. The magnet may be placed above or below the IC.

The absolute angle measurement provides instant indication of the magnet's angular position with a resolution of $0.022^\circ = 16384$ positions per revolution. According to this resolution the adjustment of the application specific mechanical positions are possible. The angular output data is available over a 12 bit PWM signal or 12 bit ratiometric analog output.

The AS5163 operates at a supply voltage of 5 V and the supply and output pins are protected against overvoltage up to +27 V. In addition the supply pins are protected against reverse polarity up to -18 V.



2 The AS5163 Demoboard

The AS5163 demoboard is a complete rotary encoder system with built-in microcontroller and graphical LCD display. The board is externally supplied with a 9V battery for standalone operation.

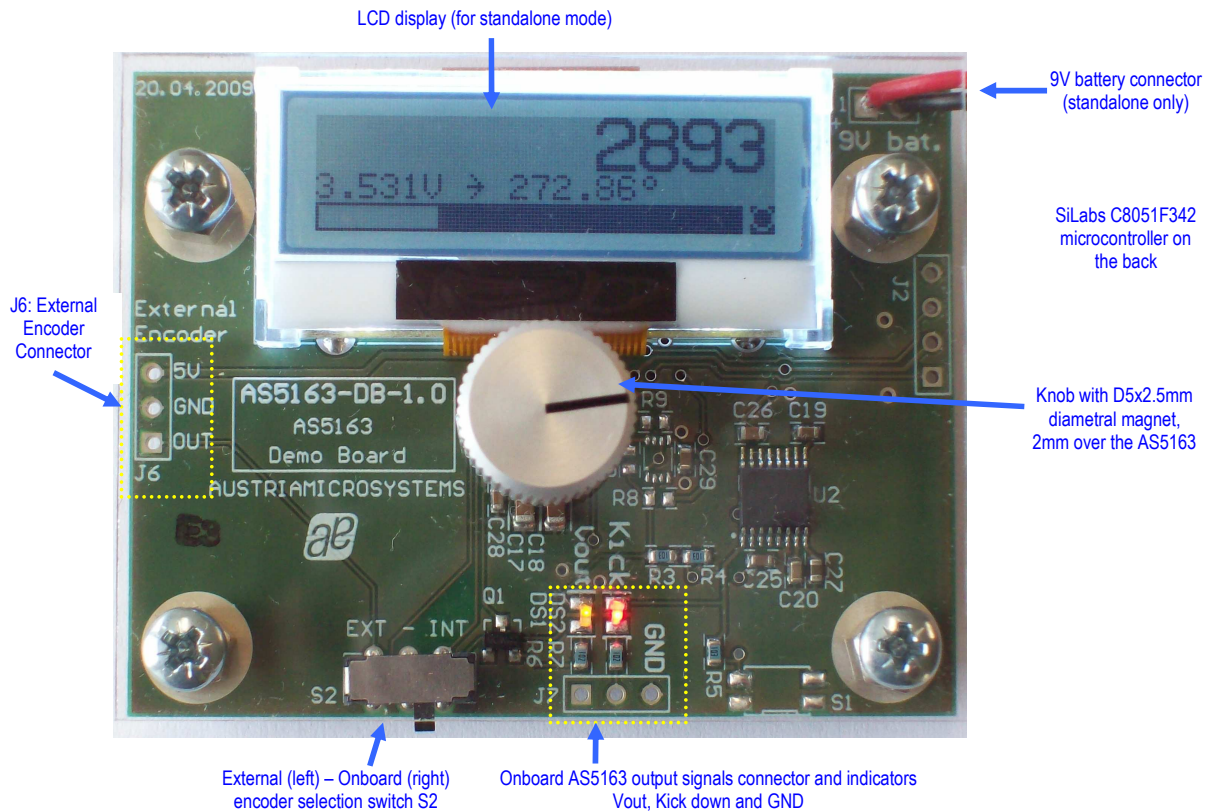


Figure 1: AS5163 Demoboard hardware with mounted magnet knob

Operating the AS5163 Demoboard

The demoboard can be used only

- **As standalone unit supplied by a 9V battery**

Connect a 9V battery to the battery connector on the top right side of the board. No other connections are required.

All AS5163 devices mounted on this demoboards, are pre-programmed parts with following settings:

- 360deg full range operation
- 0.5V to 4.5V analog output
- Kick down not activated

2.1 Graphic LCD display

The LCD display shows the realtime angle position of the magnet, the output voltage and the corresponding 12 bit value (related to the output voltage of 0.5V-4.5V).

Turning the knob counter-clockwise will increase the angle value until 359.9°, then 0°.

If the magnet is too far away from the encoder, "Error: Magnet is missing!!" will be displayed.



Figure 2: LCD display

2.2 Vout LED

The Vout LED is connected to the output of the AS5163. The output is analogue and proportional to the angle of the magnet.

Viewing the output signal on the LED results in brightness, that is proportional to the angle of the magnet. When the angle of the magnet is at 0° (~0.5V), the LED is almost dark. Turning the knob counter-clockwise towards higher angles increases the brightness of the LED.

2.3 Kick LED

The kick down is not activated in this version of demoboard, hence the Kick LED is always ON.

2.4 Encoder selection switch

The switch S2 selects the encoder which communicates with the microcontroller.

1. Right position (default): Onboard AS5163
2. Left Position: External AS5163 connected on J6
The signals of the interface (OUT) and the power supply (5V, GND) of an external device can be connected directly to J6. In this configuration, this data is displayed on the LCD.

An AS5163 can be attached to J6 and evaluated. See figure 3.

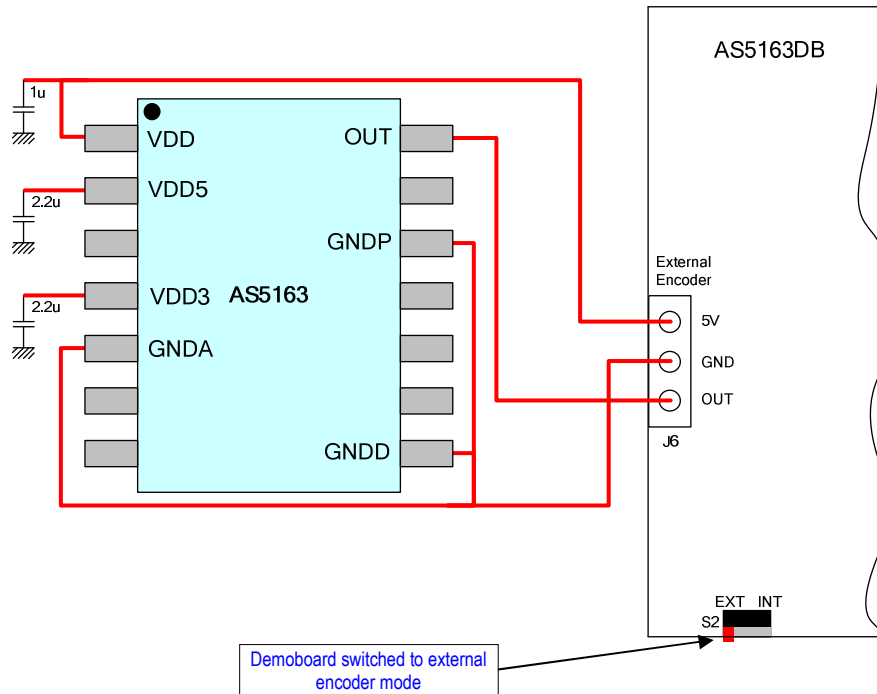


Figure 3: external AS5163 connection to the demoboard

2.5 AS5163 Demoboard Schematic and Blockdiagram

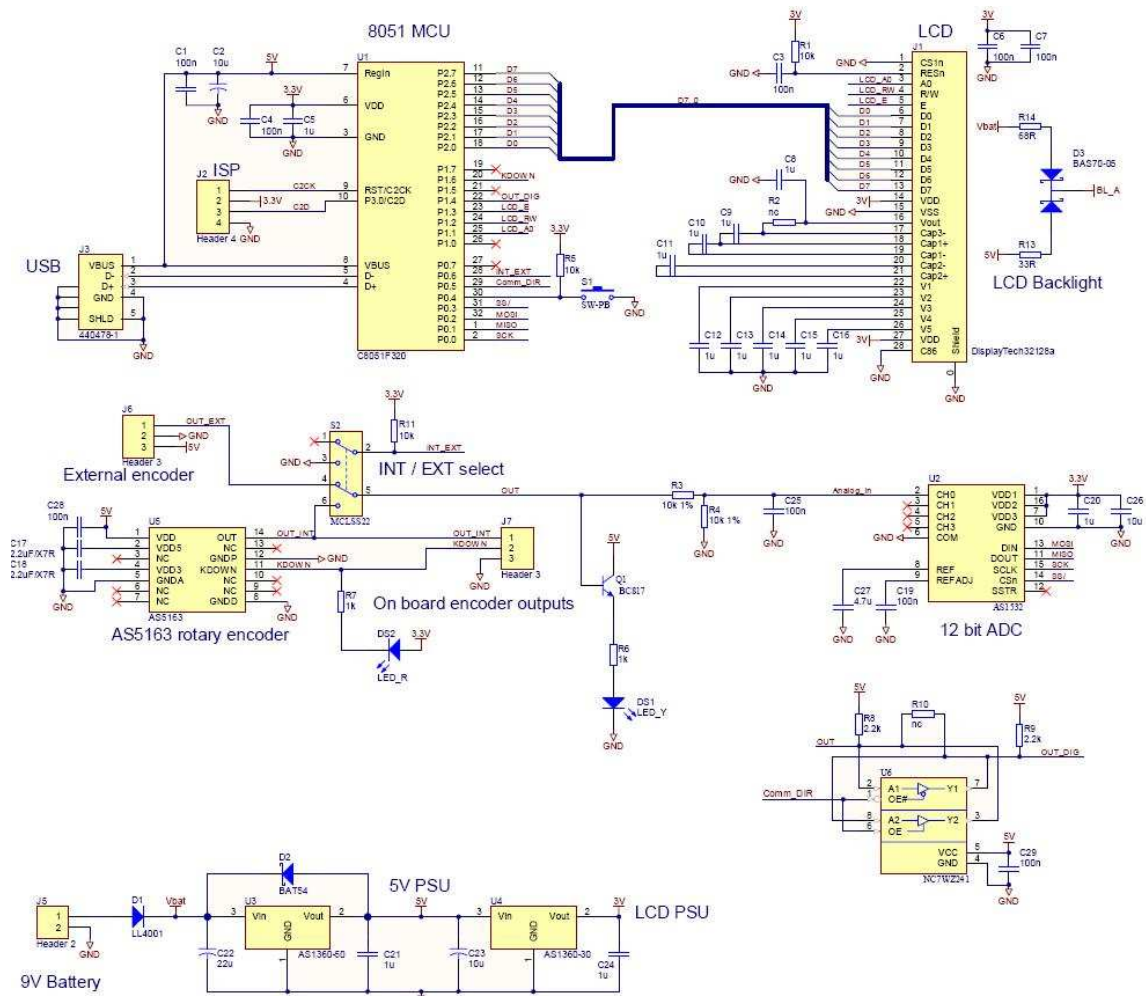


Figure 4: AS5163 Demoboard schematic

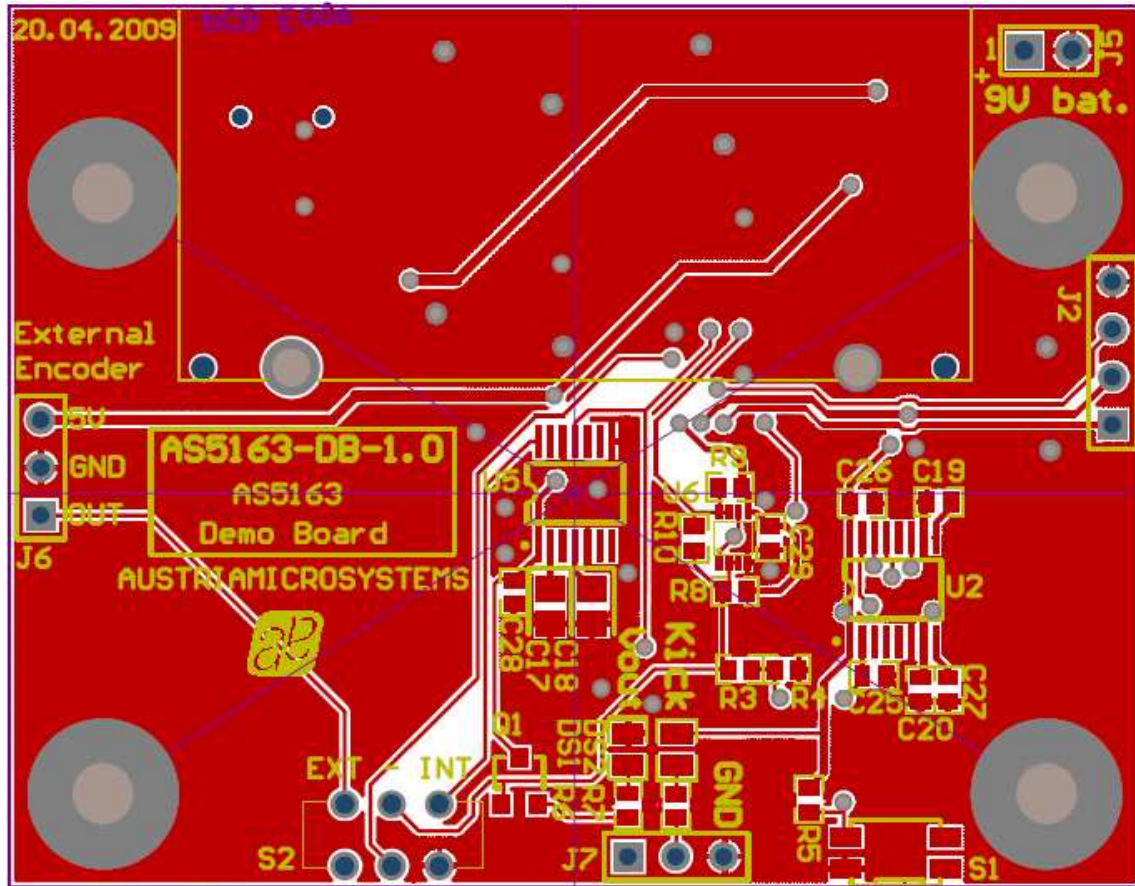


Figure 5: AS5163 Demoboard PCB Layout

Revision History

Revision	Date	Description
1.0	June 2009	First version
1.1	April 2010	Change in General Description

Copyrights

Copyright © 1997-2009, austriamicrosystems AG, Schloss Premstaetten, 8141 Unterpremstaetten, Austria-Europe. Trademarks Registered ®. All rights reserved. The material herein may not be reproduced, adapted, merged, translated, stored, or used without the prior written consent of the copyright owner. All products and companies mentioned are trademarks or registered trademarks of their respective companies.

Disclaimer

Devices sold by austriamicrosystems AG are covered by the warranty and patent indemnification provisions appearing in its Term of Sale. austriamicrosystems AG makes no warranty, express, statutory, implied, or by description regarding the information set forth herein or regarding the freedom of the described devices from patent infringement. austriamicrosystems AG reserves the right to change specifications and prices at any time and without notice. Therefore, prior to designing this product into a system, it is necessary to check with austriamicrosystems AG for current information. This product is intended for use in normal commercial applications. Applications requiring extended temperature range, unusual environmental requirements, or high reliability applications, such as military, medical life-support or lifesustaining equipment are specifically not recommended without additional processing by austriamicrosystems AG for each application. The information furnished here by austriamicrosystems AG is believed to be correct and accurate. However, austriamicrosystems AG shall not be liable to recipient or any third party for any damages, including but not limited to personal injury, property damage, loss of profits, loss of use, interruption of business or indirect, special, incidental or consequential damages, of any kind, in connection with or arising out of the furnishing, performance or use of the technical data herein. No obligation or liability to recipient or any third party shall arise or flow out of austriamicrosystems AG rendering of technical or other services.

Contact Information

Headquarters

austriamicrosystems AG
 A-8141 Schloss Premstaetten, Austria
 Tel: +43 (0) 3136 500 0
 Fax: +43 (0) 3136 525 01

For Sales Offices, Distributors and Representatives, please visit:

<http://www.austriamicrosystems.com>