



CY3280-SLM Universal CapSense™ Linear Slider Module Kit Quick Start

Doc. # 001-51790 Rev. *A

Cypress Semiconductor
198 Champion Court
San Jose, CA 95134-1709
Phone (USA): 800.858.1810
Phone (Intl): 408.943.2600
<http://www.cypress.com>

[+] Feedback

1. Kit Contents

Each CY3280-SLM Universal CapSense™ Linear Slider Module Kit contains:

- CY3280-SLM Universal CapSense Module Board
- CY3280-SLM Universal CapSense Module Board CD/DVD
- CY3280-SLM Quick Start
- 3 mm Acrylic Overlay with adhesive
- 1.5 mm Acrylic Overlay with adhesive

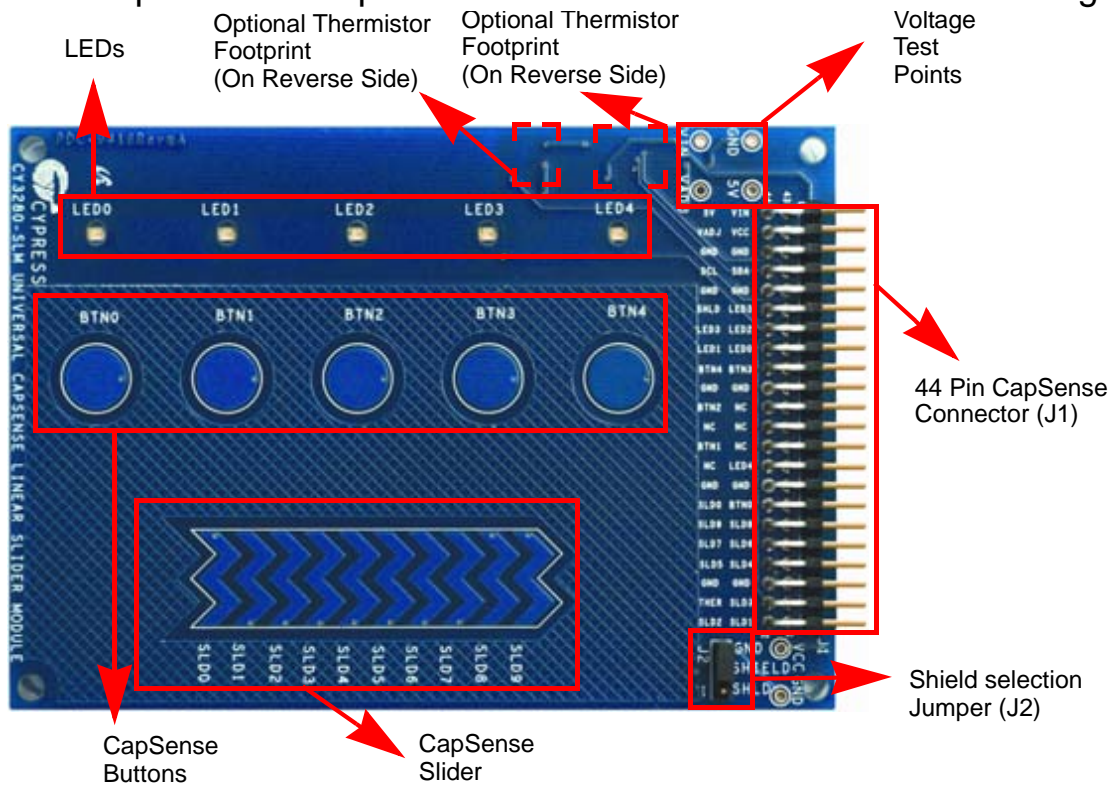
Universal CapSense Module boards are available for purchase separately, or as part of combination kits. Do visit www.cypress.com/shop for more information.

Prerequisites:

- Universal CapSense Controller Board
- PSoC MiniProg
- I2CUSB Bridge
- USB Mini-B Cable

2. Module Hardware

This module is comprised of components and sensors detailed in the following figure.



The module consists of five CapSense buttons, one linear slider (with ten sensors), and five LEDs. These are interfaced to the CapSense controller board via 44 pin receptacle connector (J1). A three pin jumper (J2) is provided for selection between shield electrode and ground. The board also incorporates an optional I2C EEPROM and thermistor that are not populated by default.

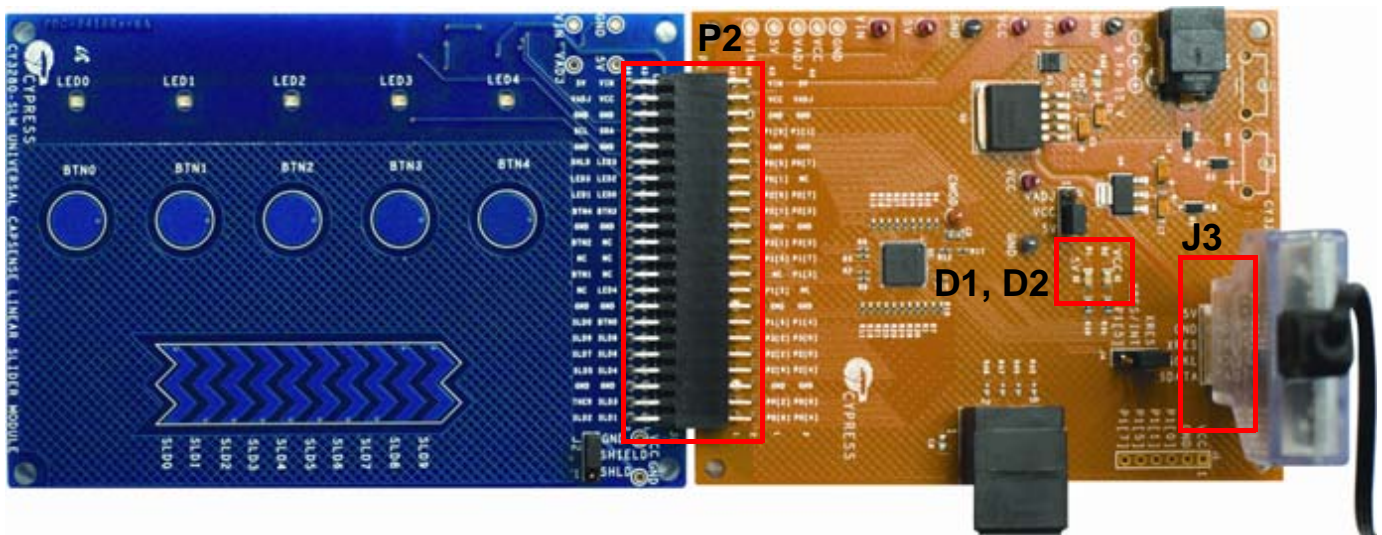
3. Getting Started

The CY3280-SLM board can be used with any of the UCC (Universal CapSense controller) boards. The example firmware is available on the CD/DVD. Insert the CY3280-SLM Kit CD/DVD into the CD/DVD drive of your PC, and follow the instructions on the screen to complete the installation.

4. Setup the Board

This section demonstrates the setup of CY3280-SLM with CY3280-20x34 Universal CapSense Controller. Similar procedure is used for all UCC boards.

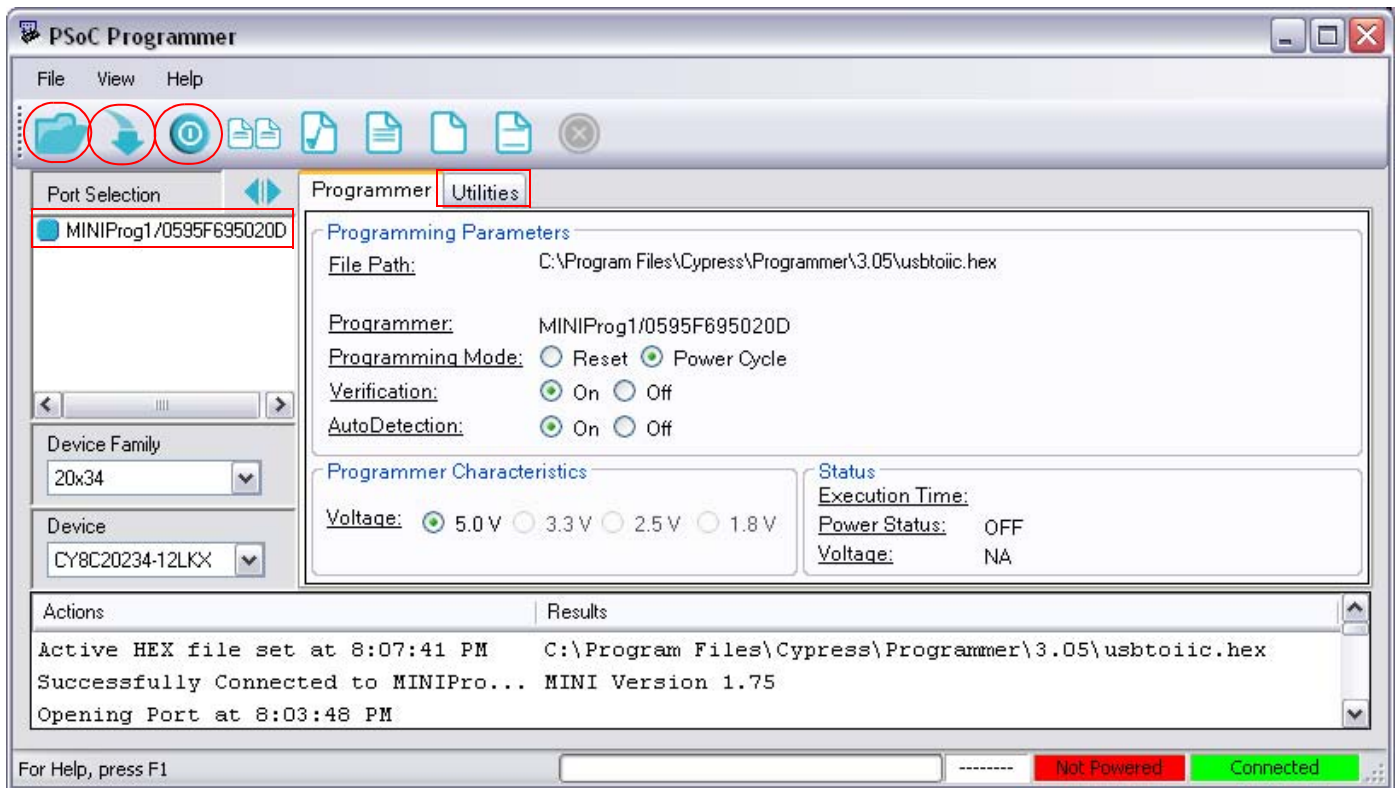
- Connect the CY3280-SLM board to the CY3280-20x34 Universal CapSense Controller board's P2 receptacle connector.



- In CY3280-20x34 UCC board place shunts on pins 2 and 3 of J1 and pins 1 and 2 of J4.
- In CY3280-SLM board place shunts on pins 2 and 3 of J2.
- Connect your computer to the CY3280-20x34 Universal CapSense Controller board's ISSP connector (J3) using a PSoC MiniProg and a USB cable.
- Open **PSoC Programmer** by going to **Windows Start > All Programs > Cypress > PSoC Programming 3.05 > PSoC Programmer**.
- Select **MiniProg 1** from **Port Selection** view in the **Programmer** window.
- Message *Successfully Connected to MINIProg... MINI Version 1.75* appears in the **Actions** pane.

Note: If MiniProg Version is older than 1.75, go to **Utilities** and click on **Update Firmware** icon.

- Confirm that the Programming Parameters are as shown in the figure on Page 4.
- Click **File Load**, navigate to, and open the *CY3280_20x34_PD_Project1.hex* file on CD/DVD at: *\Firmware\HexFiles*
- Click the **Program** icon. After the programming is complete **Programming Succeeded** appears in the Actions pane.
- Click **Toggle Device Power** button. The Power LEDs D1, D2 on the CY3280-20x34 UCC board lights up. Corresponding LEDs on other UCC board's lights up.



5. Test the Board

- Touch the linear slider on the CY3280-SLM module board with your finger. The corresponding LEDs on the CY3280-SLM module board lights up.
- Touch a button with your finger. The corresponding LED on the CY3280-SLM module board lights up. Multiple buttons can be touched at the same time. The linear slider and buttons can also be used at the same time.
- For a more in-depth look at this sample project, including instructions on displaying the computed slider position in real-time, do see readme file on CD/DVD at: *Firmware\20x34_CSA\PSoC Designer\PD project1\Readme.pdf*

6. Design Support and Resources

A wealth of information about PSoC[®] Designer, and CapSense[™] Best Practices is available on the www.cypress.com web site, and more is frequently added. For knowledge base articles, customer forums, and online application support, visit www.cypress.com/go/support.

©2009 Cypress Semiconductor Corporation. CapSense[™] and Programmable System-on-Chip[™] are trademarks, and PSoC[®] is a registered trademark of Cypress Semiconductor Corp. All other trademarks or registered trademarks referenced herein are property of the respective corporations.



Cypress Semiconductor Corporation
198 Champion Ct., San Jose, CA 95134 USA
www.cypress.com



If you have questions, call
Cypress Customer Support
+1 (800) 541-4736 Ext. 8 (in the USA),
+1 (408) 943-2600 Ext. 8 (International),
or visit www.cypress.com/go/support
Doc. # 001-51790 Rev. *A

[+] Feedback