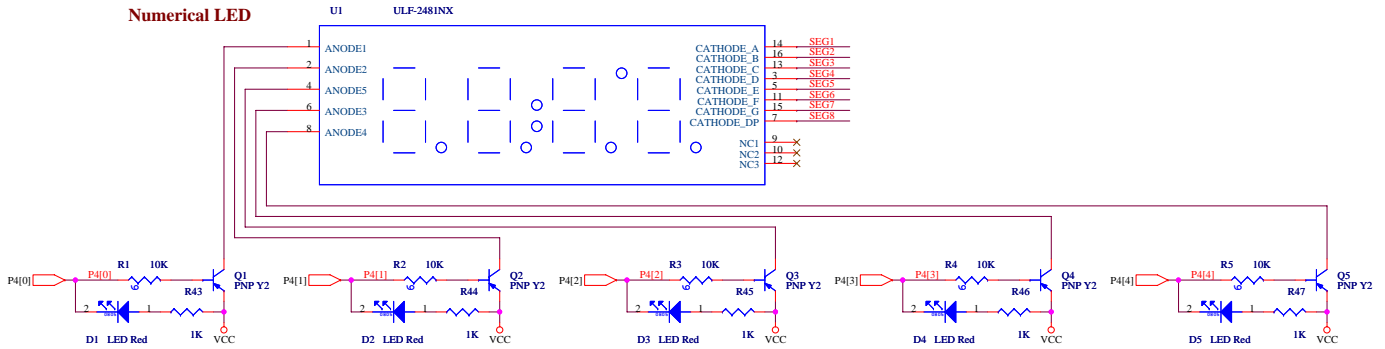
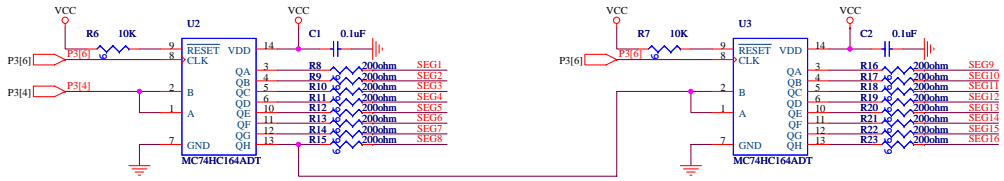


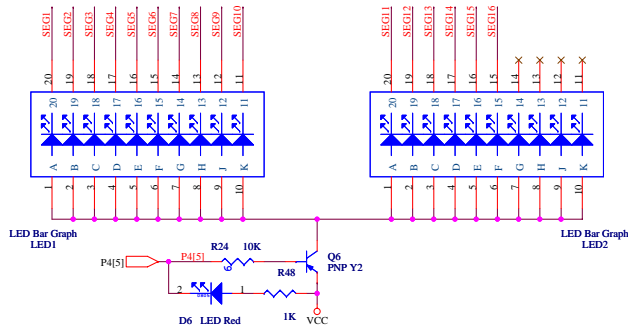
Numerical LED



74HLS164 module



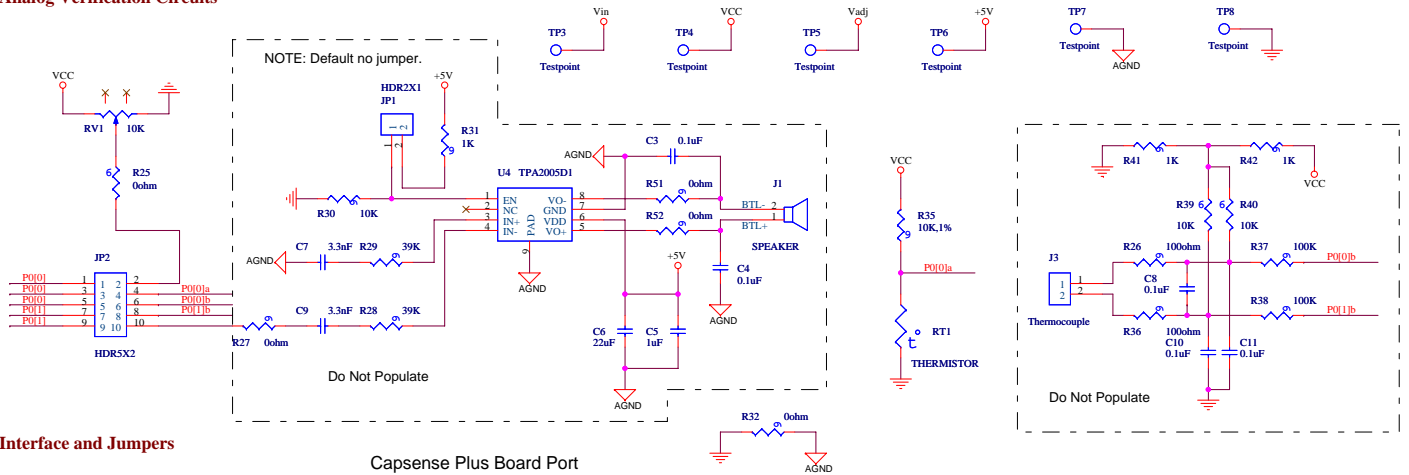
LED Bar Graph



PCB: PDCR-9514
PCA: 121R-51400

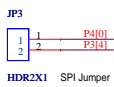
Cypress Semiconductor		
Title		
CY3280-CPM1		
Size	Document Number	Rev
B	REF-14925	3.0
Date: Wednesday, January 07, 2009		Sheet 1 of 1

Analog Verification Circuits

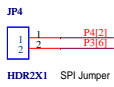


Interface and Jumpers

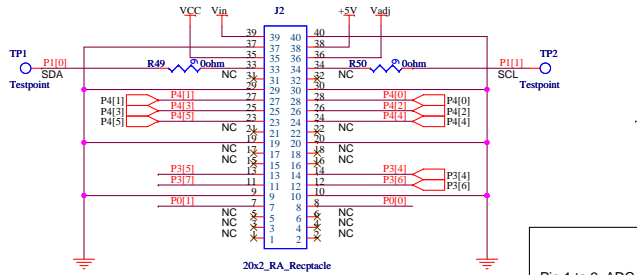
NOTE: Default no jumper.



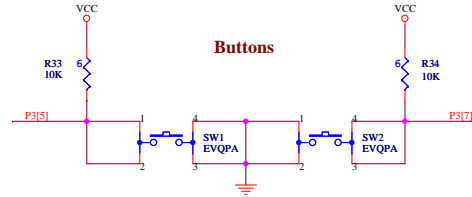
NOTE: Default no jumper.



Capsense Plus Board Port



Buttons



JP2 Settings

- Pin 1 to 2: ADC Verification.
- Pin 3 to 4: Thermistance Verification.
- Pin 5 to 6 & Pin 7 to 8: Thermocouple Verification.
- Pin 9 to 10: DAC Verification.

PCB: PDCR-9514

PCA: 121R-51400

Cypress Semiconductor

Title		CY3280-CPM1	
Size	Document Number	REF-14925	
B			
Date:	Monday, February 16, 2009	Sheet	1 of 1
Rev	3.0		