

551012876 Universal Op Amp Evaluation Boards (SOP and MSOP)

National Semiconductor
Application Note 1612
Mike Stout
July 2007



Overview

The 551012876 Universal Evaluation Board is designed to aid in the evaluation and testing of National Semiconductor's low voltage/ low power and some precision operational amplifiers. These boards will accommodate op amps that are assembled in 8-pin SOP and MSOP and 10-pin MSOP.

This board is designed to evaluate one package at a time. Many different circuits can be made such as inverting, non-inverting, and differential-IN-differential-OUT amplifiers and low-pass, high-pass, band-pass, band-reject, or notch second-order filters. The amplifiers can be powered with single or dual supplies. These circuits can be configured without any modifications to the board; all that is necessary is to select the correct resistors and capacitors. The other optional components can be left open or shorted depending on the configuration desired.

This universal evaluation board is designed as a two-layer board; the top side is designed for op amps in 8-pin SOP and 8-pin MSOP as shown in *Figure 1*.

The bottom side of this board is designed for op amps in the 10-pin MSOP as shown in *Figure 2*. The board has been manufactured with vias connecting the equivalent pins of the top and bottom amplifiers. For example, Pin 1 of IC₁ on the top side is connected to Pin 1 of IC₁ on the bottom side. Similarly all other equivalent pins of the top and bottom amplifiers are connected. The 10-pin MSOP on the bottom side has connections for enabling and disabling the op amps. This PCB setup allows for an efficient use of one board to test amplifiers of different package types while keeping the same components on the board; just make sure that only one package is soldered to the same pads.

Circuit performance of this evaluation board will be comparable to final production designs. Use this evaluation board as a guide for general layout and a tool to aid in device testing and characterization.

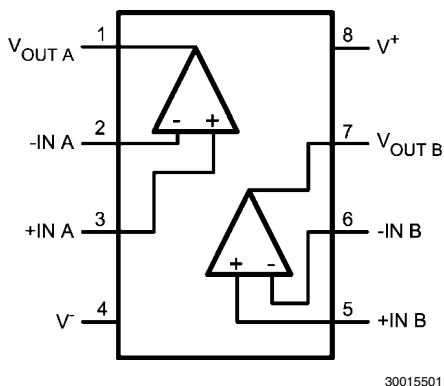


FIGURE 1. Connection Diagram for 8-Pin SOP and MSOP

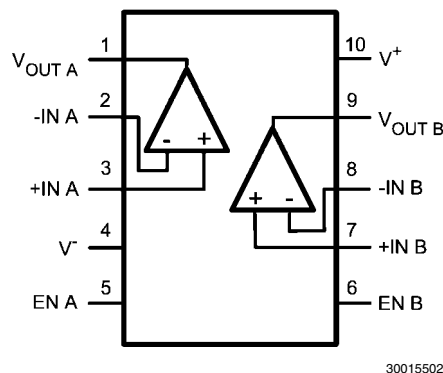


FIGURE 2. Connection Diagram for 10-Pin MSOP

Hardware Setup

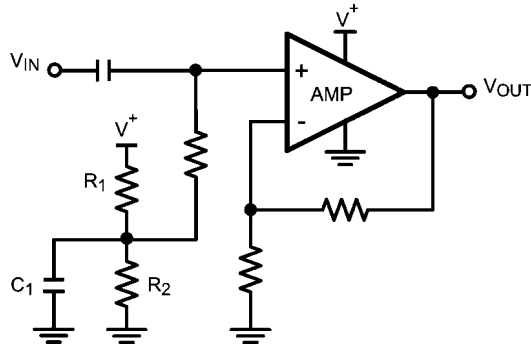
COMPONENT NOTATION

The pins of the footprints for the 8-Pin SOP and MSOP on the top side are connected and are also connected to the equivalent pins for the footprint of the 10-Pin MSOP on the bottom side. Each of these packages contains two amplifiers, which will be referred to as Amp A and Amp B. The subscript of the PCB component refers to the specific amplifier; for example, R_{4A} is used for Amp A and R_{4B} for Amp B. In this document, components will be referred to, as an example, C₃. If using Amp A this refers to component C_{3A}, if using Amp B this refers to component C_{3B}.

In some circuits, a resistor will be installed where the PCB is labeled for a capacitor or a capacitor will be installed where a resistor is labeled. For example, CR₆ indicates that a capacitor should be in the R₆ position. R_{C5} means that a resistor will be installed in the C₅ position.

POWER

Power is applied to the points labeled J4 for V-, J6 for V+, and J7 for GND. If a single supply is used, then V- should be connected to GND. A virtual ground, halfway between the positive supply voltage and ground, is the reference point for the input and output voltages. The output voltage swings above and below this virtual ground. Single-supply operation requires the generation of this virtual ground, usually at a voltage equal to V+/2. The circuit in Figure 3 can be used to generate V+/2; R₁ and R₂ should be of equal values. This junction along with capacitor C₁ will form a low-pass filter used to eliminate conducted noise or transients on the positive supply rail.



30015507

FIGURE 3. Single Supply Virtual Ground

OP AMP

Solder a dual op amp package to either the top IC₁ or the bottom IC₁ position. The package outline, showing pin 1, is on each side of the PCB

BYPASSING

Install the following capacitors:

C_{6A}, C_{9A}: 0.1 μF

C_{7A}, C_{8A}: 1 μF

SHUTDOWN

To use the shutdown feature of the amplifier in the MSOP-10 package, install a resistor at R₁₅ and an optional capacitor at C₁₁. The shutdown voltage is applied at J3 or J5 depending on the amplifier being used.

INPUT AND OUTPUT

SMA connectors are used for the input and output of signals. They are located on the edges of the PCB.

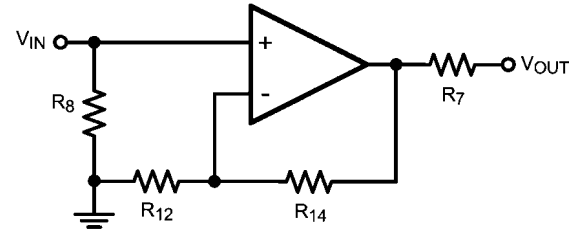
Circuit Configurations

NON-INVERTING AMPLIFIER

- C₃ Short
- R₄ Short
- R₅ Short
- R₈ Input Termination
- R₇ Output series resistance (used for matching transmission lines or isolation)
- R₁₄ Gain Resistor
- R₁₂ Gain Resistor

Where

$$\frac{V_{OUT}}{V_{IN}} = 1 + \frac{R_{14}}{R_{12}}$$



C₃, R₄, R₅ = 0 (SHORT)

30015509

FIGURE 4. Non-Inverting Amplifier

INVERTING AMPLIFIER

- C₃ Short
- R₉ Short
- R₁₃ Short
- R₈ Input Termination
- R₇ Output series resistance (used for matching transmission lines or isolation)
- R₁₄ Gain Resistor
- R₁₁ Gain Resistor

Where

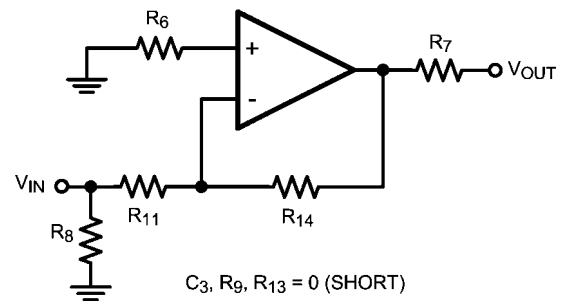
$$\frac{V_{OUT}}{V_{IN}} = - \frac{R_{14}}{R_{11}}$$

Input Impedance: Set R_T to the desired input impedance. Calculate R₈ where

$$R_8 = \frac{R_{11} \times R_T}{R_{11} - R_T}$$

To cancel the input bias current set R₆ to the value calculated with the following formula:

$$R_6 = \frac{R_{11} \times R_{14}}{R_{11} - R_{14}}$$



C₃, R₉, R₁₃ = 0 (SHORT)

30015513

FIGURE 5. Inverting Amplifier

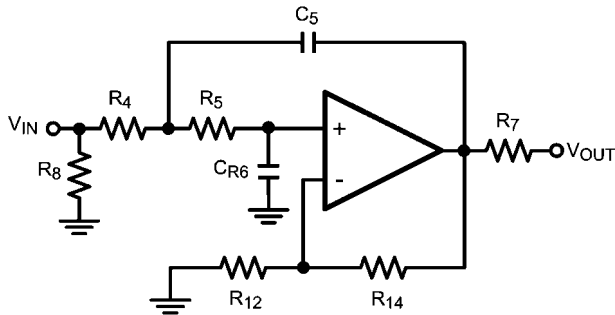
ACTIVE FILTER APPLICATIONS

Both Sallen-Key and Multiple Feedback filters can be built on this PCB. To design a filter, use the WEBENCH® tool at www.national.com. Performance at high frequencies is limited to the gain bandwidth product of the amplifier, but within this frequency range, these active filters can achieve very good accuracy, if low-tolerance resistors and capacitor are used.

SALLEN-KEY LOW-PASS FILTER

The following are the instructions for configuring a Sallen-Key low-pass filter.

- C₃ Short
 - R₁₃ Short
 - R₇ Output series resistance (used for matching transmission lines or isolation)
 - R₈ Input Termination
- Set the following as determined using WEBENCH:
 R₄, R₅, C_{R6}, R₁₄, R₁₂



C₃, R₁₃ = 0 (SHORT)

30015514

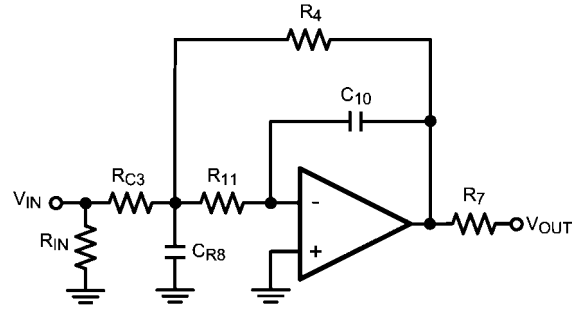
FIGURE 6. Sallen-Key Low-Pass Filter

MULTIPLE FEEDBACK LOW-PASS FILTER

The following are the instructions for configuring a Multiple Feedback low-pass filter.

- R₆ Short
 - R₁₃ Short
 - R₉ Short
 - C₅ Short
 - R₇ Output series resistance (used for matching transmission lines or isolation)
- Set the following as determined using WEBENCH:
 R_{C3}, C_{R8}, R₄, R₁₁, C₁₀

Note: If needed, an input termination resistor will need to be soldered on to the SMA connector between the signal pin and the ground pin.



R₆, R₁₃, R₉, C₅ = 0 (SHORT)

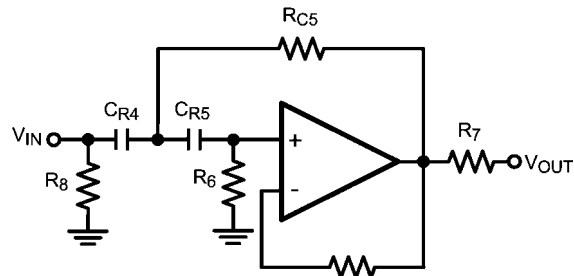
30015515

FIGURE 7. Multiple Feedback Low-Pass Filter

SALLEN-KEY HIGH-PASS FILTER

The following are the instructions for configuring a Sallen-Key high-pass filter.

- C₃ Short
 - R₁₃ Short
 - R₁₄ Short
 - R₇ Output series resistance (used for matching transmission lines or isolation)
 - R₈ Input Termination
- Set as determined using WEBENCH:
 C_{R4}, C_{R5}, R_{C5}, R₆



C₃, R₁₃, R₁₄ = 0 (SHORT)

R₁₄ = 0

30015516

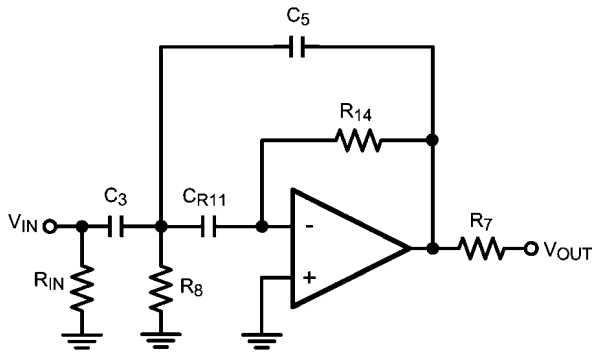
FIGURE 8. Sallen-Key High-Pass Filter

MULTIPLE FEEDBACK HIGH-PASS FILTER

The following are the instructions for configuring a Multiple Feedback high-pass filter.

- R₉ Short
 - R₄ Short
 - R₇ Output series resistance (used for matching transmission lines or isolation)
- Set the following as determined using WEBENCH:
 C₃, R₈, C₅, C_{R11}, R₁₄

Note: If needed, an input termination resistor will need to be soldered on to the SMA connector between the signal pin and the ground pin.



R₉, R₄ = 0 (SHORT)

30015517

FIGURE 9. Multiple Feedback High-Pass Filter

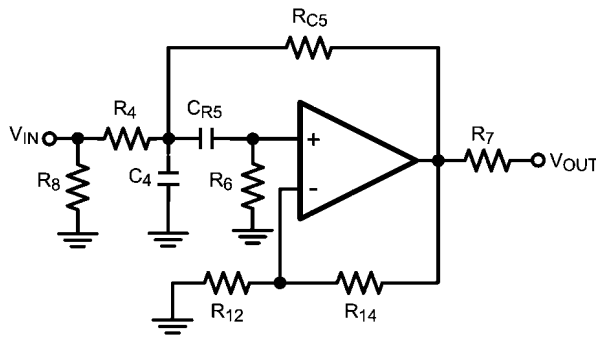
SALLEN-KEY BAND-PASS FILTER

The following are the instructions for configuring a band-pass filter.

- C₃ Short
- R₁₃ Short
- R₇ Output series resistance (used for matching transmission lines or isolation)
- R₈ Input Termination

Set as determined using WEBENCH:

R₄, C₄, C_{R5}, R₆, R_{C5}, R₁₄, R₁₂



C₃, R₁₃ = 0 (SHORT)

30015518

FIGURE 10. Sallen-Key Band-Pass Filter

MULTIPLE FEEDBACK BAND-PASS FILTER

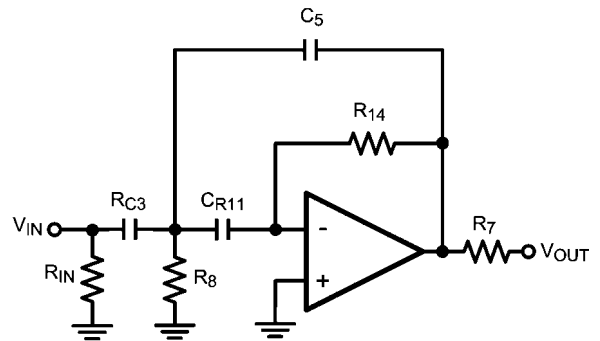
The following are the instructions for configuring a Multiple Feedback high-pass filter.

- R₆ Short
- R₁₃ Short
- R₉ Short
- R₄ Short
- R₇ Output series resistance (used for matching transmission lines or isolation)

Set the following as determined using WEBENCH:

R_{C3}, R₈, C₅, C_{R11}, R₁₄

Note: If needed, an input termination resistor will need to be soldered on to the SMA connector between the signal pin and the ground pin.



R₆, R₁₃, R₉, R₄ = 0 (SHORT)

30015519

FIGURE 11. Multiple Feedback Band-Pass Filter

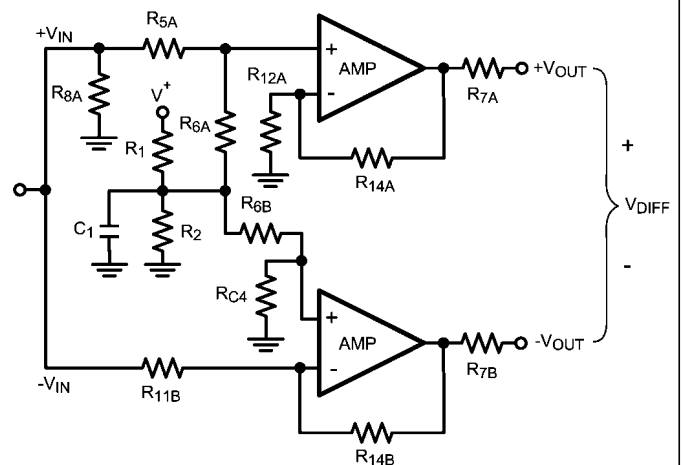
Applications Using Two Amplifiers

TWO-AMPLIFIER FILTERS

Filters using two amplifiers can be built by connecting the output of Amp A to the input of Amp B.

SINGLE ENDED TO DIFFERENTIAL CONVERSION

The circuit in *Figure 12* will convert a single ended signal to a differential signal. This is done by using the combination of an inverting amplifier and a non-inverting amplifier. Each amplifier generates output signals of equal magnitude but of opposite polarity. This topology is useful in applications where the signal source is single-ended, but the ADC requires a differential input. The board will need to be modified by connecting Input A to Input B with a jumper wire.



C_{3A}, R_{4A}, R_{5B}, R_{9B}, C_{3B} = 0 (SHORT)

30015520

FIGURE 12. Single Ended to Differential Conversion

DIFFERENTIAL INPUT, DIFFERENTIAL OUTPUT, NON-INVERTING

Combining two non-inverting amplifiers with a common feedback network, as shown in *Figure 13*, forms a non-inverting amplifier with a differential input and a differential output. Through the inherent cancellation of the two op amp common-mode error signals this configuration fully exploits the noise reduction benefits of CMRR. In addition the output voltage swing is doubled and depending on the op amp used, the bandwidth and slew rate may also be increased, while maintaining the original gain bandwidth specification.

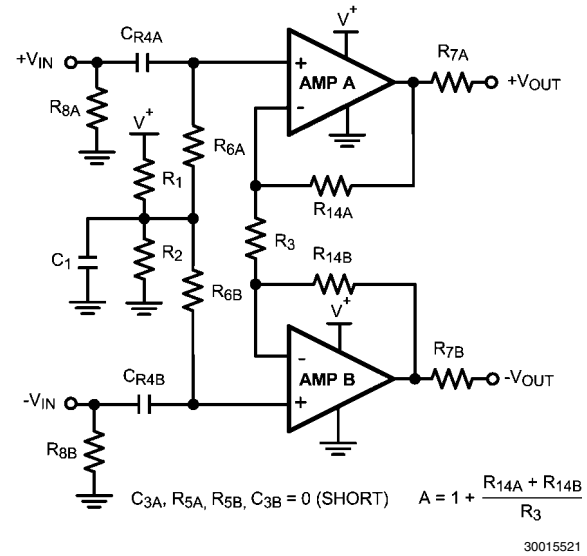
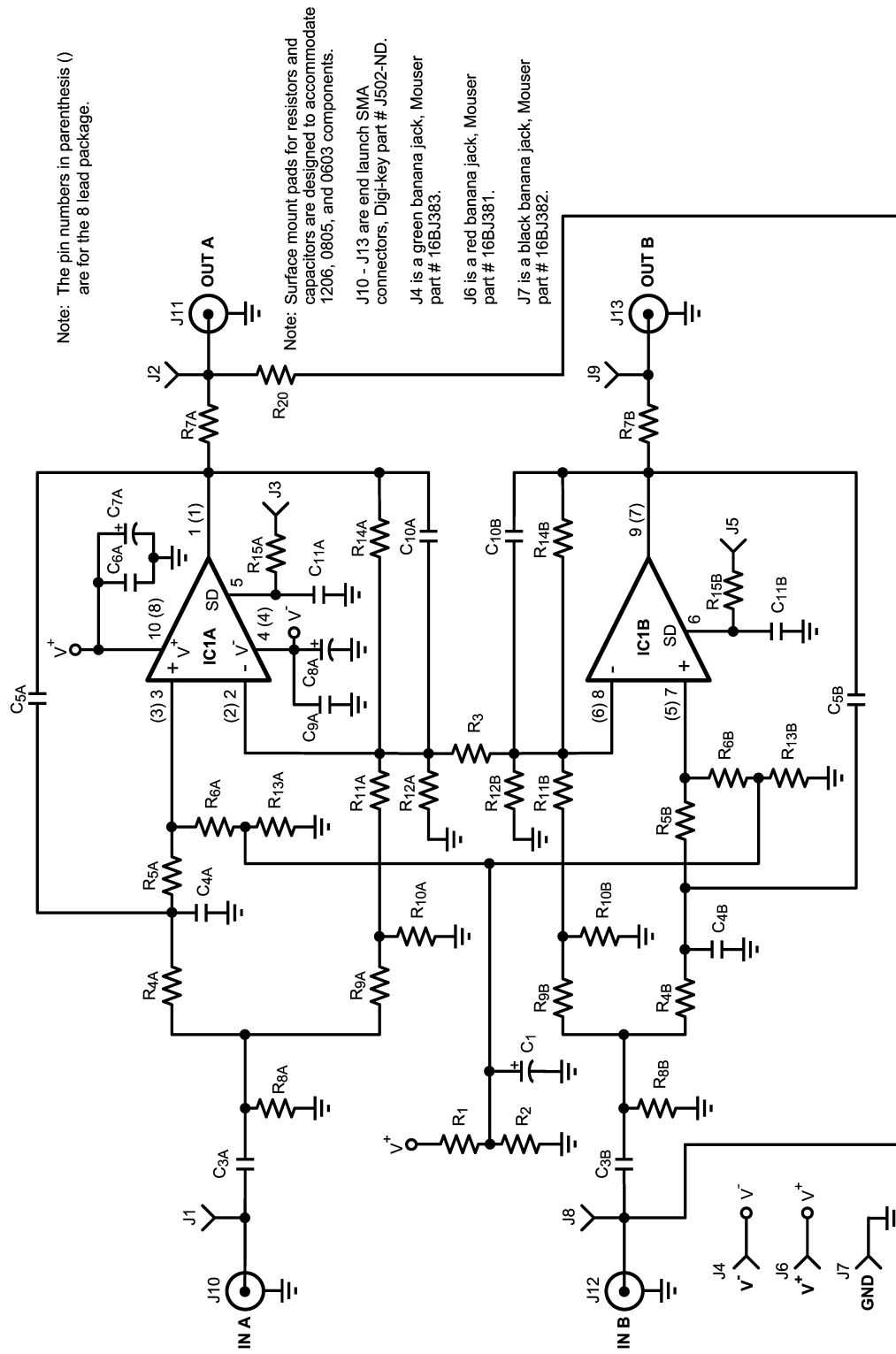


FIGURE 13. Differential Input, Differential Output, Non-Inverting



Note: The pin numbers in parenthesis () are for the 8 lead package.

Note: Surface mount pads for resistors and capacitors are designed to accommodate 1206, 0805, and 0603 components.

J10 - J13 are end launch SMA connectors, Digi-key part # J502-ND.

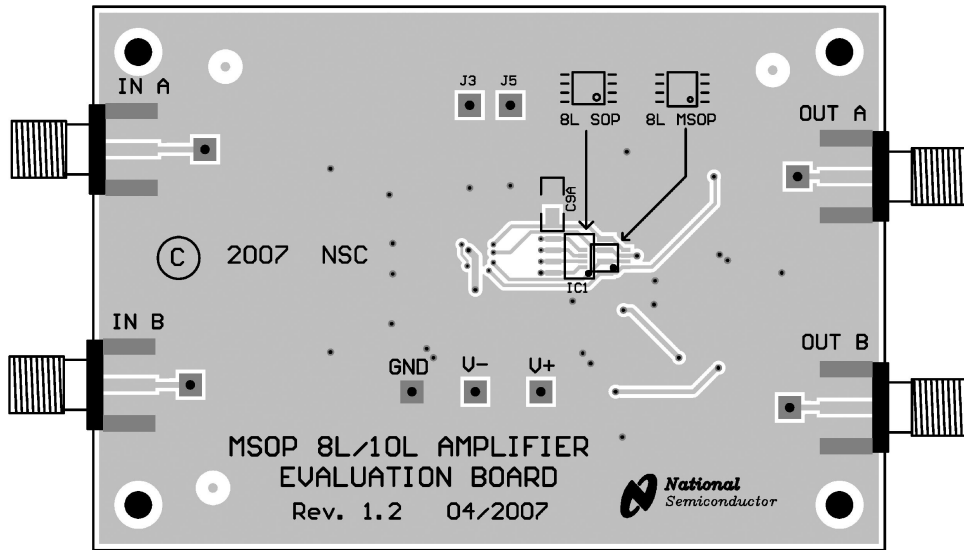
J4 is a green banana jack, Mouser part # 16BJ383.

J6 is a red banana jack, Mouser part # 16BJ381.

J7 is a black banana jack, Mouser part # 16BJ382.

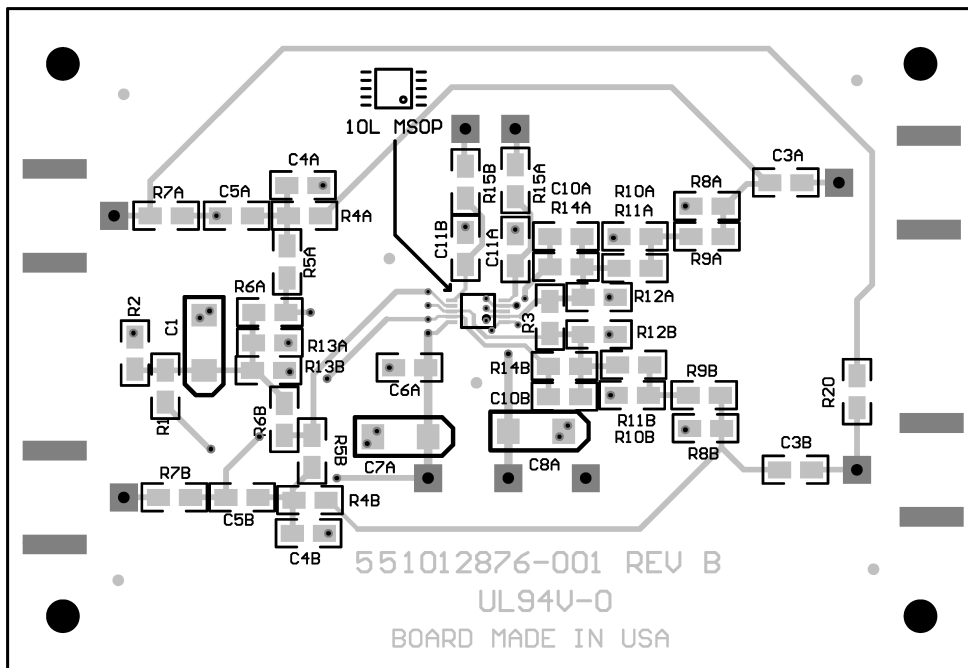
FIGURE 14. 551012876 Schematic

30015503



30015504

FIGURE 15. 551012876 Top Layout



30015505

FIGURE 16. 551012876 Bottom Layout

Notes

THE CONTENTS OF THIS DOCUMENT ARE PROVIDED IN CONNECTION WITH NATIONAL SEMICONDUCTOR CORPORATION ("NATIONAL") PRODUCTS. NATIONAL MAKES NO REPRESENTATIONS OR WARRANTIES WITH RESPECT TO THE ACCURACY OR COMPLETENESS OF THE CONTENTS OF THIS PUBLICATION AND RESERVES THE RIGHT TO MAKE CHANGES TO SPECIFICATIONS AND PRODUCT DESCRIPTIONS AT ANY TIME WITHOUT NOTICE. NO LICENSE, WHETHER EXPRESS, IMPLIED, ARISING BY ESTOPPEL OR OTHERWISE, TO ANY INTELLECTUAL PROPERTY RIGHTS IS GRANTED BY THIS DOCUMENT.

TESTING AND OTHER QUALITY CONTROLS ARE USED TO THE EXTENT NATIONAL DEEMS NECESSARY TO SUPPORT NATIONAL'S PRODUCT WARRANTY. EXCEPT WHERE MANDATED BY GOVERNMENT REQUIREMENTS, TESTING OF ALL PARAMETERS OF EACH PRODUCT IS NOT NECESSARILY PERFORMED. NATIONAL ASSUMES NO LIABILITY FOR APPLICATIONS ASSISTANCE OR BUYER PRODUCT DESIGN. BUYERS ARE RESPONSIBLE FOR THEIR PRODUCTS AND APPLICATIONS USING NATIONAL COMPONENTS. PRIOR TO USING OR DISTRIBUTING ANY PRODUCTS THAT INCLUDE NATIONAL COMPONENTS, BUYERS SHOULD PROVIDE ADEQUATE DESIGN, TESTING AND OPERATING SAFEGUARDS.

EXCEPT AS PROVIDED IN NATIONAL'S TERMS AND CONDITIONS OF SALE FOR SUCH PRODUCTS, NATIONAL ASSUMES NO LIABILITY WHATSOEVER, AND NATIONAL DISCLAIMS ANY EXPRESS OR IMPLIED WARRANTY RELATING TO THE SALE AND/OR USE OF NATIONAL PRODUCTS INCLUDING LIABILITY OR WARRANTIES RELATING TO FITNESS FOR A PARTICULAR PURPOSE, MERCHANTABILITY, OR INFRINGEMENT OF ANY PATENT, COPYRIGHT OR OTHER INTELLECTUAL PROPERTY RIGHT.

LIFE SUPPORT POLICY

NATIONAL'S PRODUCTS ARE NOT AUTHORIZED FOR USE AS CRITICAL COMPONENTS IN LIFE SUPPORT DEVICES OR SYSTEMS WITHOUT THE EXPRESS PRIOR WRITTEN APPROVAL OF THE CHIEF EXECUTIVE OFFICER AND GENERAL COUNSEL OF NATIONAL SEMICONDUCTOR CORPORATION. As used herein:

Life support devices or systems are devices which (a) are intended for surgical implant into the body, or (b) support or sustain life and whose failure to perform when properly used in accordance with instructions for use provided in the labeling can be reasonably expected to result in a significant injury to the user. A critical component is any component in a life support device or system whose failure to perform can be reasonably expected to cause the failure of the life support device or system or to affect its safety or effectiveness.

National Semiconductor and the National Semiconductor logo are registered trademarks of National Semiconductor Corporation. All other brand or product names may be trademarks or registered trademarks of their respective holders.

Copyright© 2007 National Semiconductor Corporation

For the most current product information visit us at www.national.com



National Semiconductor Americas Customer Support Center
 Email: new.feedback@nsc.com
 Tel: 1-800-272-9959

National Semiconductor Europe Customer Support Center
 Fax: +49 (0) 180-530-85-86
 Email: europe.support@nsc.com
 Deutsch Tel: +49 (0) 69 9508 6208
 English Tel: +49 (0) 870 24 0 2171
 Français Tel: +33 (0) 1 41 91 8790

National Semiconductor Asia Pacific Customer Support Center
 Email: ap.support@nsc.com

National Semiconductor Japan Customer Support Center
 Fax: 81-3-5639-7507
 Email: jpn.feedback@nsc.com
 Tel: 81-3-5639-7560