



# STEVAL-ISQ010V1

## High-side current-sense amplifier demonstration board based on the TSC102

Data brief

### Features

- Independent supply and input common-mode voltages
- Wide common-mode operating range: 2.8 V to 30 V
- Wide common-mode survival range: -16 V to 60 V (reverse battery and load-dump conditions)
- Low current consumption:  $I_{CC}$  max = 450  $\mu$ A
- Internally fixed gain: 20 V/V
- Integrated fully-accessible operational amplifier for tailor-made signal conditioning
- RoHS compliant



### Description

The STEVAL-ISQ010V1 demonstration board is specifically designed for the TSC102 device.

The TSC102 measures a very small voltage drop on a high-side shunt resistor and, using an internally fixed gain, amplifies the difference into a ground-referenced output voltage. The amplification gain is internally fixed. The device is housed in a tiny TSSOP8 package.

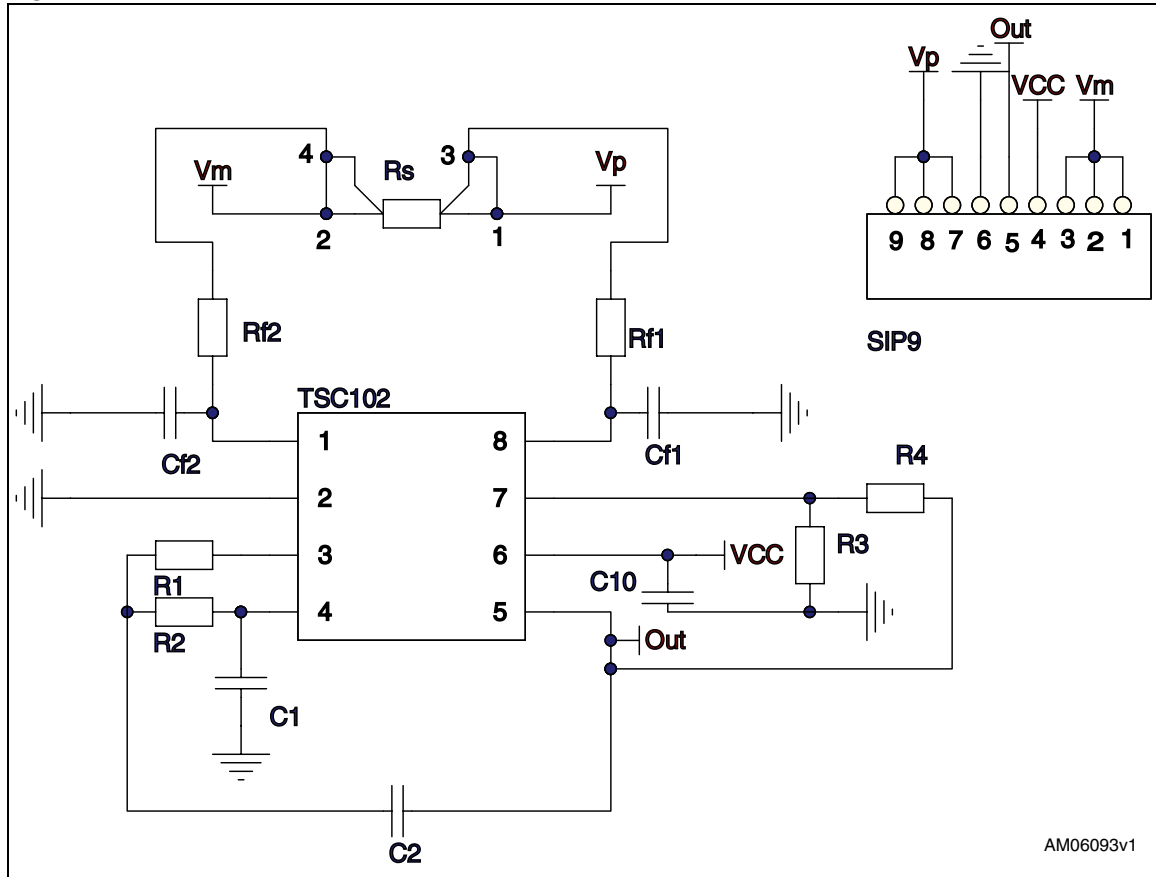
Input common-mode and power supply voltages are independent. The common-mode voltage can range from 2.8 V to 30 V during operation. Under absolute maximum rating conditions, the  $V_p$  and  $V_m$  pins can sustain as much as 60 V to handle events like load-dump conditions, and as low as -16 V to deal with reverse battery conditions.

The supply voltage can range from 3.5 V to 5.5 V, therefore the TSC102 can be supplied by the same voltage regulator used for digital circuits.

Current consumption is less than 450  $\mu$ A over the temperature range, and low input bias current is less than 7  $\mu$ A in standard conditions.

# 1 Schematic diagram

Figure 1. STEVAL-ISQ010V1 circuit schematic



## 2 Revision history

**Table 1. Document revision history**

Date	Revision	Changes
08-Mar-2010	1	Initial release.

**Please Read Carefully:**

Information in this document is provided solely in connection with ST products. STMicroelectronics NV and its subsidiaries ("ST") reserve the right to make changes, corrections, modifications or improvements, to this document, and the products and services described herein at any time, without notice.

All ST products are sold pursuant to ST's terms and conditions of sale.

Purchasers are solely responsible for the choice, selection and use of the ST products and services described herein, and ST assumes no liability whatsoever relating to the choice, selection or use of the ST products and services described herein.

No license, express or implied, by estoppel or otherwise, to any intellectual property rights is granted under this document. If any part of this document refers to any third party products or services it shall not be deemed a license grant by ST for the use of such third party products or services, or any intellectual property contained therein or considered as a warranty covering the use in any manner whatsoever of such third party products or services or any intellectual property contained therein.

**UNLESS OTHERWISE SET FORTH IN ST'S TERMS AND CONDITIONS OF SALE ST DISCLAIMS ANY EXPRESS OR IMPLIED WARRANTY WITH RESPECT TO THE USE AND/OR SALE OF ST PRODUCTS INCLUDING WITHOUT LIMITATION IMPLIED WARRANTIES OF MERCHANTABILITY, FITNESS FOR A PARTICULAR PURPOSE (AND THEIR EQUIVALENTS UNDER THE LAWS OF ANY JURISDICTION), OR INFRINGEMENT OF ANY PATENT, COPYRIGHT OR OTHER INTELLECTUAL PROPERTY RIGHT.**

**UNLESS EXPRESSLY APPROVED IN WRITING BY AN AUTHORIZED ST REPRESENTATIVE, ST PRODUCTS ARE NOT RECOMMENDED, AUTHORIZED OR WARRANTED FOR USE IN MILITARY, AIR CRAFT, SPACE, LIFE SAVING, OR LIFE SUSTAINING APPLICATIONS, NOR IN PRODUCTS OR SYSTEMS WHERE FAILURE OR MALFUNCTION MAY RESULT IN PERSONAL INJURY, DEATH, OR SEVERE PROPERTY OR ENVIRONMENTAL DAMAGE. ST PRODUCTS WHICH ARE NOT SPECIFIED AS "AUTOMOTIVE GRADE" MAY ONLY BE USED IN AUTOMOTIVE APPLICATIONS AT USER'S OWN RISK.**

Resale of ST products with provisions different from the statements and/or technical features set forth in this document shall immediately void any warranty granted by ST for the ST product or service described herein and shall not create or extend in any manner whatsoever, any liability of ST.

ST and the ST logo are trademarks or registered trademarks of ST in various countries.

Information in this document supersedes and replaces all information previously supplied.

The ST logo is a registered trademark of STMicroelectronics. All other names are the property of their respective owners.

© 2010 STMicroelectronics - All rights reserved

STMicroelectronics group of companies

Australia - Belgium - Brazil - Canada - China - Czech Republic - Finland - France - Germany - Hong Kong - India - Israel - Italy - Japan - Malaysia - Malta - Morocco - Philippines - Singapore - Spain - Sweden - Switzerland - United Kingdom - United States of America

[www.st.com](http://www.st.com)