



AD8332-EVALZ

GENERAL DESCRIPTION

The AD8332-EVALZ is a platform for the test and evaluation of the [AD8332](#) variable gain amplifier (VGA). The board is shipped assembled and tested, and users only need to connect the signal and VGAIN sources to a single 5 V power supply. Figure 1 is a photograph of the component side of the board, and Figure 2 is the schematic.

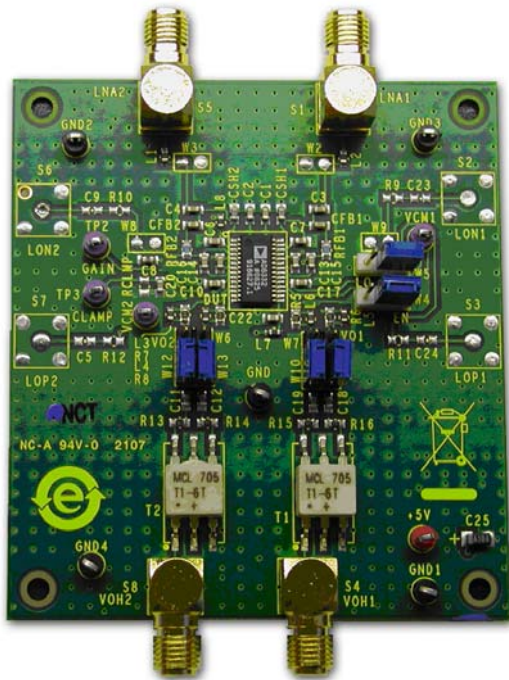


Figure 1. AD8332-EVALZ Photo of Component Side

USER-SUPPLIED OPTIONAL COMPONENTS

The board is built and tested using the components shown in black in Figure 2. Provisions are made for optional components (shown in gray) that can be installed for testing at the user's discretion. The default LNA input impedance is 50 Ω to match various signal generators and network analyzers. Input impedances up to 6 kΩ are realized by changing values of RFB_x and CSH_x. Consult the [AD8332](#) data sheet for more details on this circuit feature.

For reference, Table 1 lists the common input impedance values and corresponding adjustments. The board is designed for 0603-size, surface-mount components.

Table 1. LNA External Component Values for Common Source Impedances

R _{IN} (Ω)	RFB _x (Ω, Std 1% Value)	CSH _x (pF)
50	274	22
75	412	12
100	562	8
200	1.13 k	1.2
500	3.01 k	None
6 k	∞	None

SMA connectors, S2, S3, S6, and S7, are provided for access to the LNA outputs or the VGA inputs. If the LNA is used alone, 0.1 μF coupling capacitors can be installed at locations C5, C9, C23, and C24. Resistors of 68 Ω to 100 Ω can be required if the load capacitances, as seen by the LNA outputs, are larger than approximately 10 pF.

A resistor can be inserted at RCLMP if output clamping is desired. The peak-to-peak clamping level is adjusted by installing one of the standard 1% resistor values listed in the [AD8332](#) data sheet.

A high frequency differential probe connected to the 2-pin headers VO_x is the preferred method to observe a waveform at the VGA output. A typical setup is shown in Figure 3. Single-ended loads can be connected directly via the board edge SMA connectors. Note that the [AD8332](#) output amplifier is buffered with 237 Ω resistors; therefore, be sure to compensate for attenuation if low impedances are connected to the output SMAs.

MEASUREMENT SETUP

The basic board connections for measuring bandwidth are shown in Figure 3. A 5 V, 100 mA (minimum) power supply is required, and a low noise voltage reference supply is required for VGAIN.

Rev. D

Evaluation boards are only intended for device evaluation and not for production purposes. Evaluation boards are supplied "as is" and without warranties of any kind, express, implied, or statutory including, but not limited to, any implied warranty of merchantability or fitness for a particular purpose. No license is granted by implication or otherwise under any patents or other intellectual property by application or use of evaluation boards. Information furnished by Analog Devices is believed to be accurate and reliable. However, no responsibility is assumed by Analog Devices for its use, nor for any infringements of patents or other rights of third parties that may result from its use. Analog Devices reserves the right to change devices or specifications at any time without notice. Trademarks and registered trademarks are the property of their respective owners. Evaluation boards are not authorized to be used in life support devices or systems.

TABLE OF CONTENTS

General Description	1	Evaluation Board PCB Layers.....	5
User-Supplied Optional Components	1	Ordering Information.....	6
Measurement Setup.....	1	Parts List.....	6
Revision History	2	Ordering Guide	6
Evaluation Board Schematic	3	ESD Caution.....	6
Board Layout and Parts List.....	4		

REVISION HISTORY

11/07—Rev. C to Rev. D

Changes to Figure 1.....	1
Changes to Figure 2.....	3
Changes to Figure 3.....	4
Changes to Figure 4 and Figure 9.....	5
Changes to Table 2 and Ordering Guide.....	6

5/06—Rev. B to Rev. C

Updated Format.....	Universal
Changes to General Description and User-Supplied Optional Components Section	1
Inserted Figure 1.....	1
Changes to Figure 2.....	3
Changes to Figure 3.....	4
Changes to Figure 4 through Figure 9	5
Changes to Table 2.....	6

11/04—Rev. A to Rev. B

Changes to User Supplied Optional Components Section	1
Changes to Measurement Setup Section	1
Changes to Figure 1.....	1
Changes to Figure 2 to Figure 5.....	3
Changes to Figure 6 and Figure 7.....	4
Changes to Figure 8.....	5
Changes to Table 2.....	6

7/03—Rev. 0 to Rev. A

Changes to Figure 1.....	1
Changes to Figure 2.....	3
Changes to Figure 3.....	4
Changes to Table 2.....	6

3/03—Revision 0: Initial Version

EVALUATION BOARD SCHEMATIC

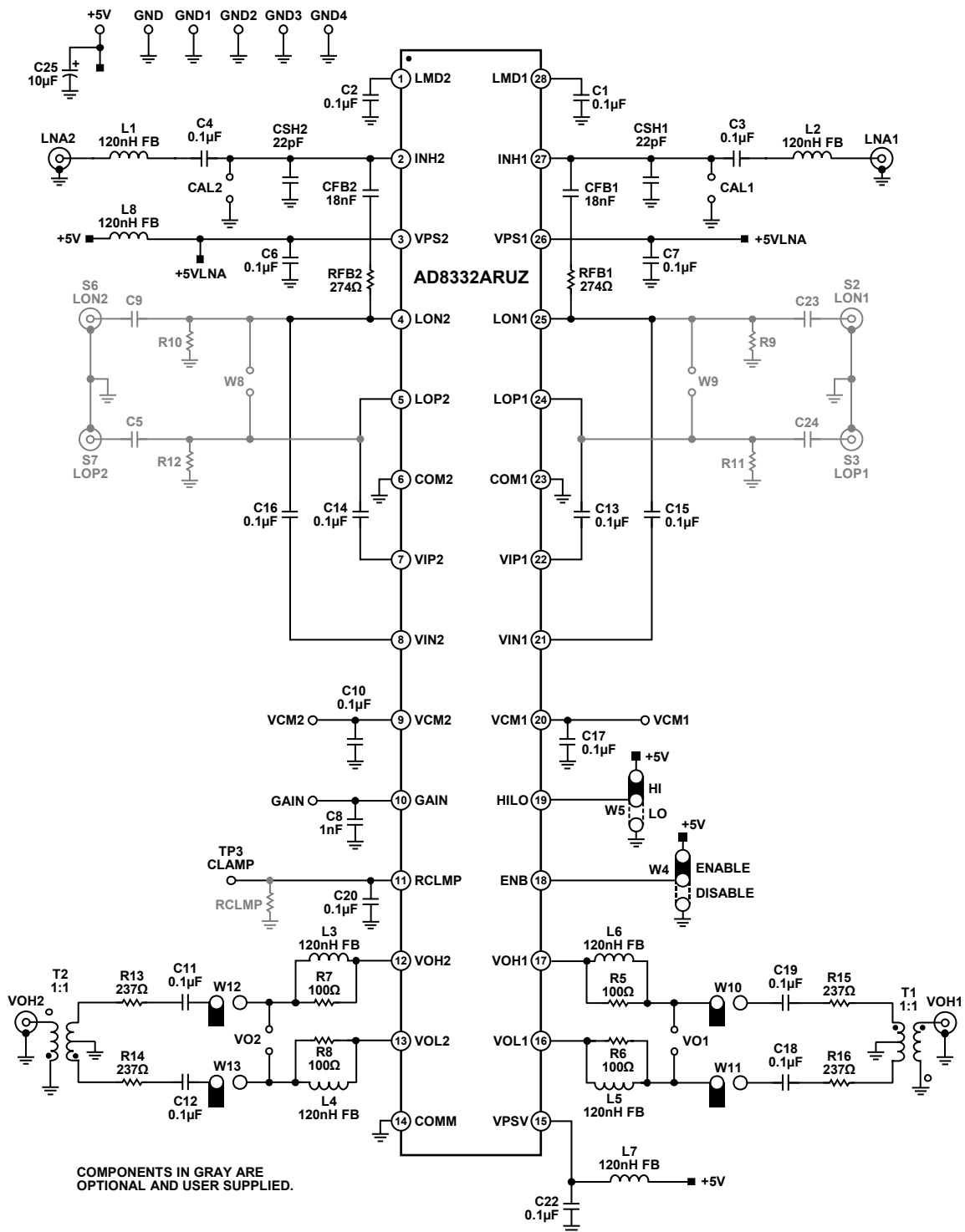


Figure 2. AD8332-EVALZ Schematic

03835-002

AD8332-EVALZ

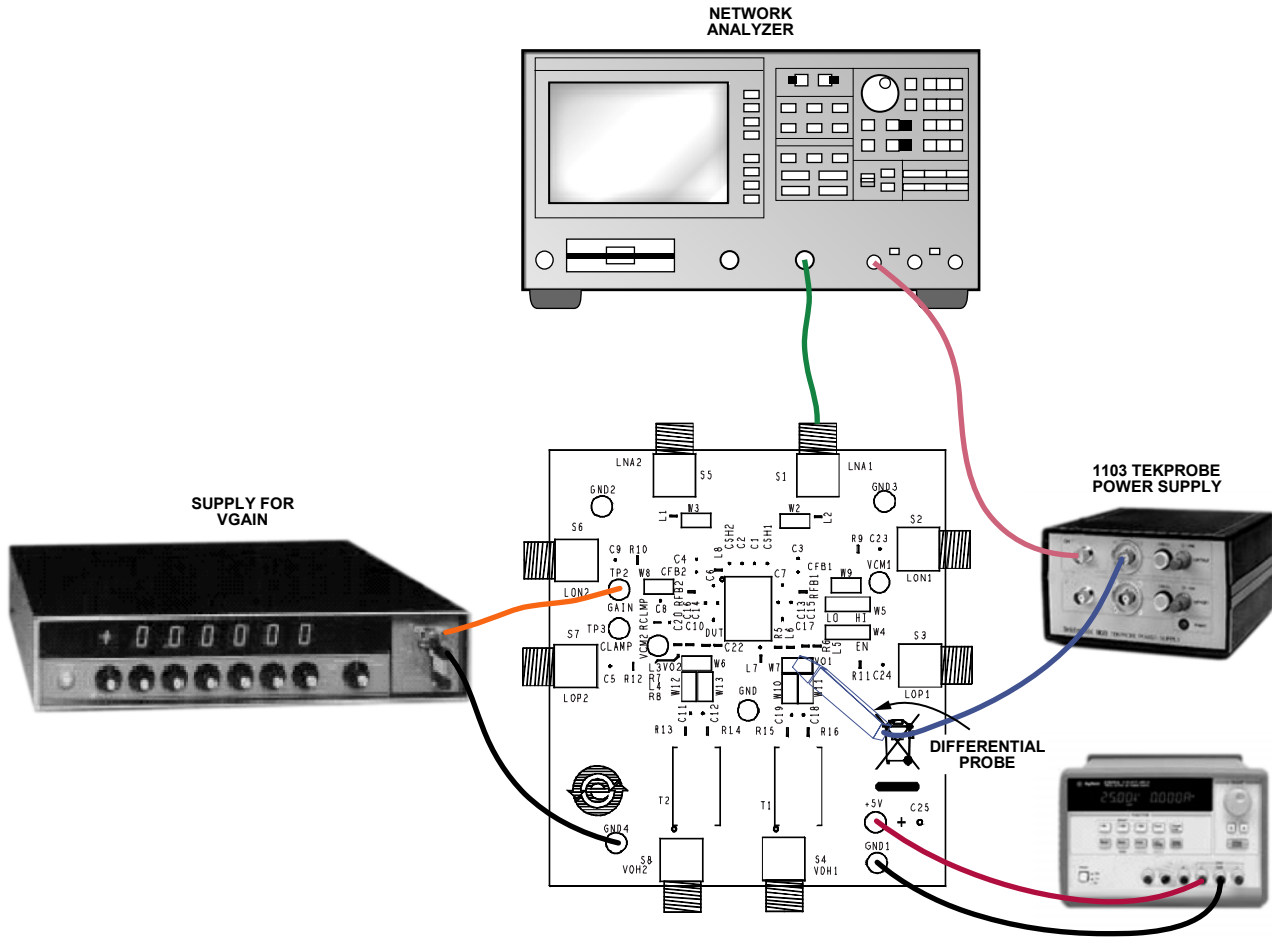


Figure 3. Typical Board Test Connections

BOARD LAYOUT AND PARTS LIST

The evaluation board circuitry uses four conductor layers. The two inner layers are power and ground planes, and all interconnecting circuitry is located on the outer layers. Figure 5, Figure 6, Figure 7, and Figure 8 illustrate the copper patterns.

EVALUATION BOARD PCB LAYERS

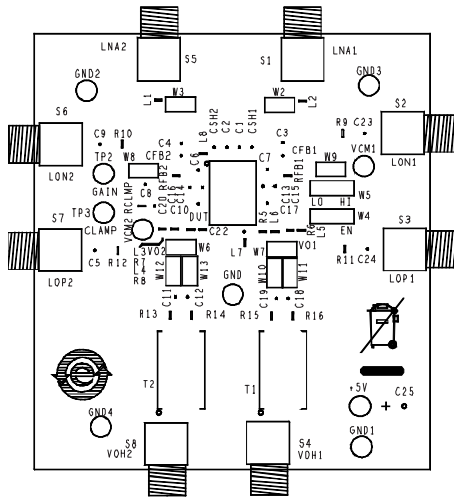


Figure 4. AD8332-EVALZ Assembly

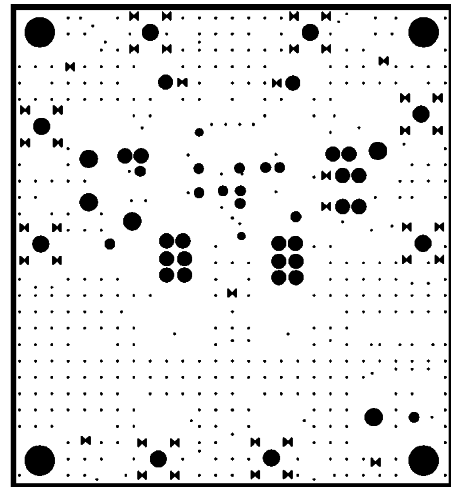


Figure 7. Ground Plane

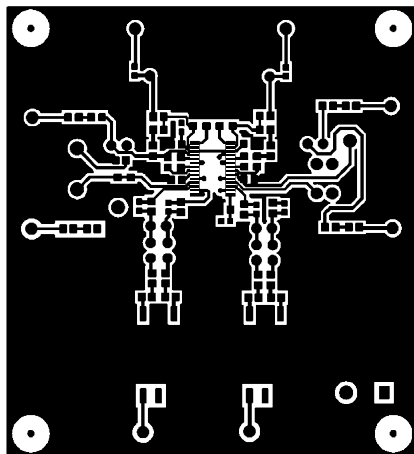


Figure 5. Primary Side Copper

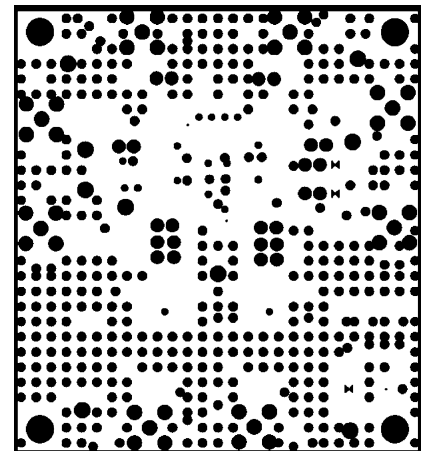


Figure 8. Power Plane

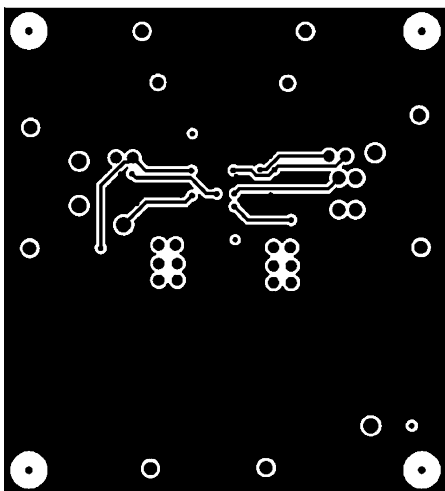


Figure 6. Secondary Side Copper

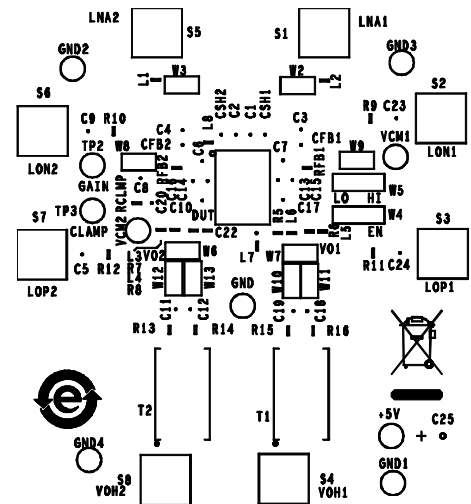


Figure 9. Component Side Silkscreen

AD8332-EVALZ

ORDERING INFORMATION

PARTS LIST

Table 2.

Qty.	Name	Description	Reference Designation	Mfg.	Mfg. Part Number
8	Inductor	Ferrite Bead, 120 nH, 0603	L1, L2, L3, L4, L5, L6, L7, L8	Murata	BLM18BA750SN1D
2	Resistor	SM, 274 Ω, 1%, 1/10 W, 0603	RFB1, RFB2	Panasonic	ERJ-3EKF2740V
4	Resistor	SM, 237 Ω, 1%, 1/10 W, 0603	R13, R14, R15, R16	Panasonic	ERJ-3EKF2370V
4	Resistor	SM, 100 Ω, 1%, 1/16 W, 0603	R5, R6, R7, R8	Panasonic	ERJ-3EKF1
2	Capacitor	SM, 18 nF, 10%, 50 V, 0603	CFB1, CFB2	Panasonic	ECJ-1VB1E183K
18	Capacitor	SM, 0.1 μF, 10%, 0603	C1, C2, C3, C4, C6, C7, C10, C11, C12, C13, C14, C15, C16, C17, C18, C19, C20, C22	Panasonic	C0603C104K4RAC
1	Capacitor	SM, 1 nF, 50 V, 0603	C8	Panasonic	ECJ-1VB2A102K
2	Capacitor	SM, 22 pF, 50 V, 0603	CSH1, CSH2	Panasonic	ECJ-1VC1H220J
1	Capacitor	SM, 10 μF	C25	Nichicon	F931A106MAA
2	Transformer	RF	T1, T2	Mini-Circuits	T1-6T
6	Header	2-Pin	VO1, VO2, W10, W11, W12, W13	Molex	22-10-2021
2	Header	3-Pin	W4, W5	Molex	22-10-2031
4	Connector	SMA, PC Mount, Right Angle	LNA1, LNA2, VOH1, VOH2	Amphenol	901-143-6RFX
4	Test Point	Violet	VCM1, VCM2, GAIN, CLAMP	Components Corp	TP104-01-07
1	Test Point	Red	+5V	Components Corp	TP104-01-02
5	Test Point	Black	GND, GND1, GND2, GND3, GND4	Components Corp	TP104-01-00

ORDERING GUIDE

Model	Description
AD8332-EVALZ ¹	Evaluation Board

¹ Z = RoHS Compliant Part.

ESD CAUTION



ESD (electrostatic discharge) sensitive device.

Charged devices and circuit boards can discharge without detection. Although this product features patented or proprietary protection circuitry, damage may occur on devices subjected to high energy ESD. Therefore, proper ESD precautions should be taken to avoid performance degradation or loss of functionality.

NOTES

AD8332-EVALZ

NOTES