

# LP38511TS-1.8 Evaluation Board

National Semiconductor  
Application Note 1675  
Don Jones  
November 5, 2007



## Introduction

This board is designed to enable the evaluation of the LP38511TS-1.8 Voltage Regulator. Each board is assembled and tested in the factory. This evaluation board has the TO-263 5-lead package mounted.

## General Description

The LP38511 is a linear regulator capable of supplying up to 800 mA of output current, and incorporates Enable and ERROR flag features.

The device has been designed to work with 10  $\mu\text{F}$  ceramic input and output capacitors. Footprints areas for  $C_{\text{IN}}$  and  $C_{\text{OUT}}$  will allow for a variety of sizes.

## Operation

The input voltage, applied between  $V_{\text{IN}}$  and GND, should be at least 2.25V, and no higher than 5.5V.

Loads can be connected to  $V_{\text{OUT}}$  with reference to GND.

Test points are provided on the board to allow monitoring of  $V_{\text{OUT}}$ ,  $V_{\text{IN}}$ , Enable, and ERROR signals during operation

If the application does not require the Enable function, the EN pin should be connected to directly to the adjacent  $V_{\text{IN}}$  pin.

## Enable Operation

The Enable On threshold is typically 1.2V, and typically has 200mV of hysteresis. The voltage signal should rise and fall cleanly, and promptly, through these thresholds.

The Enable pin (EN) has no internal pull-up or pull-down to establish a default condition and, as a result, this pin must be terminated either actively or passively.

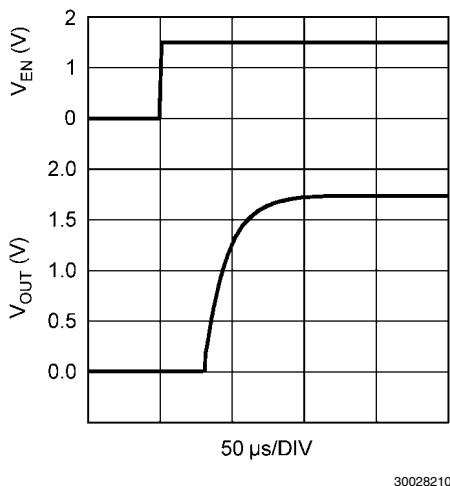


FIGURE 1.  $V_{\text{OUT}}$  vs.  $V_{\text{EN}}$

If the Enable pin is driven from a single ended device (such as the collector of a discrete transistor) a pull-up resistor to  $V_{\text{IN}}$ , or a pull-down resistor to ground, will be required for proper operation. A 1 k $\Omega$  to 100 k $\Omega$  resistor can be used as

the pull-up or pull-down resistor to establish default condition for the EN pin. The resistor value selected should be appropriate to swamp out any leakage in the external single ended device, as well as any stray capacitance.

If the Enable pin is driven from a source that actively pulls high and low (such as a CMOS rail to rail comparator output), the pull-up, or pull-down, resistor is not required.

If the application does not require the Enable function, the EN pin should be connected to directly to the adjacent  $V_{\text{IN}}$  pin.

The status of the Enable pin also affects the behavior of the ERROR Flag. While the Enable pin is high the regulator control loop will be active and the ERROR Flag will report the status of the output voltage. When the Enable pin is taken low the regulator control loop is shutdown, the output is turned off, and the internal logic will immediately force the ERROR Flag pin low.

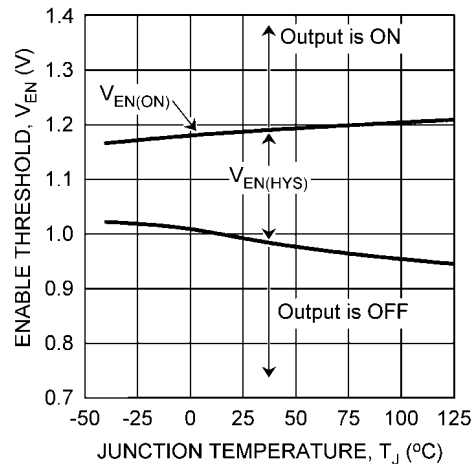


FIGURE 2. Enable Threshold

## ERROR Flag

When the LP38511 Enable pin is high, the ERROR Flag pin will produce a logic low signal when the output drops by more than 10% (typical) from the nominal output voltage. The drop in output voltage may be due to low input voltage, current limiting, or thermal limiting. This flag has a built in hysteresis. The output voltage will need to rise to within 5% of the nominal output voltage for the ERROR Flag to return to a logic high state. It should also be noted that when the Enable pin is pulled low, the ERROR Flag pin is forced to be low as well.

The internal ERROR flag comparator has an open drain output stage. Hence, the ERROR pin requires an external pull-up resistor. The value of the pull-up resistor should be in the range of 2 k $\Omega$  to 100 k $\Omega$ , and should be connected to the LP38511 output voltage pin. The ERROR Flag pin should not be pulled-up to any voltage source higher than  $V_{\text{IN}}$  as current flow through an internal parasitic diode may cause unexpected behavior. When the input voltage is less than typically 1.25V the status of the ERROR flag output will not be reliable.

The  $\overline{\text{ERROR}}$  Flag pin must be connected to ground if this function is not used.

The timing diagram in *Figure 4* shows the relationship between the  $\overline{\text{ERROR}}$  flag and the output voltage when the pull-up resistor is connected to the output voltage pin.

The timing diagram in *Figure 5* shows the relationship between the  $\overline{\text{ERROR}}$  flag and the output voltage when the pull-up resistor is connected to the input voltage pin.

### Power Dissipation

The TO-263 package alone has a junction to ambient thermal resistance ( $\theta_{JA}$ ) rating of  $60^{\circ}\text{C}/\text{W}$ . When mounted on the LP38511TS evaluation board the  $\theta_{JA}$  rating is approximately  $30^{\circ}\text{C}/\text{W}$ .

Although there is only approximately 0.28 square inches of copper area immediately under the tab, the top copper surface area is extended to additional copper area on the bottom of the board by nine thermal vias.

With the  $30^{\circ}\text{C}/\text{W}$  thermal rating the LP38511TS evaluation board will deliver the rated 3A output current if  $V_{IN} = 2.5\text{V}$ ,  $V_{OUT} = 1.8\text{V}$ , and  $T_A \leq 25^{\circ}\text{C}$ .

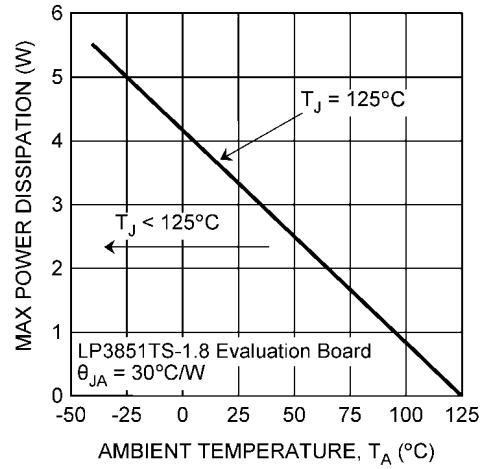


FIGURE 3. Maximum Power Dissipation vs. Ambient Temperature

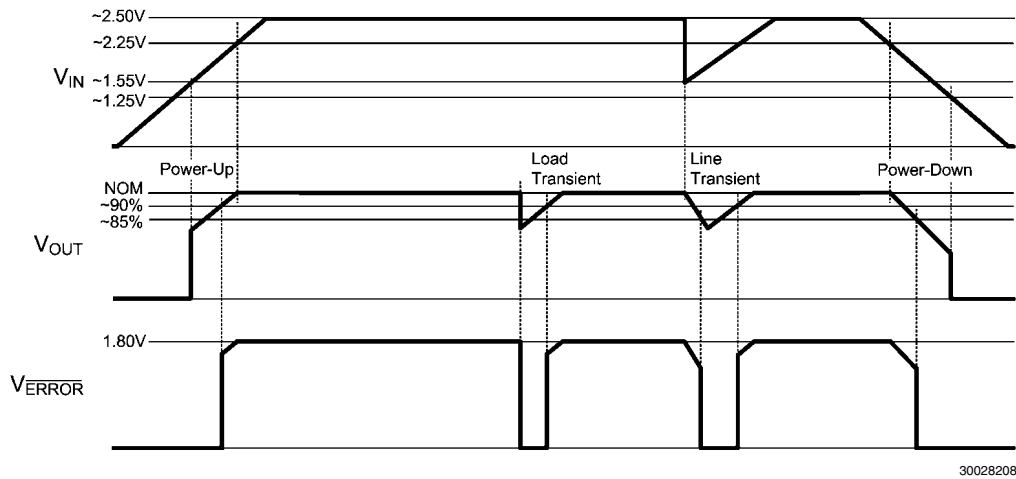


FIGURE 4.  $\overline{\text{ERROR}}$  Flag when Pull-Up is from  $V_{OUT}$

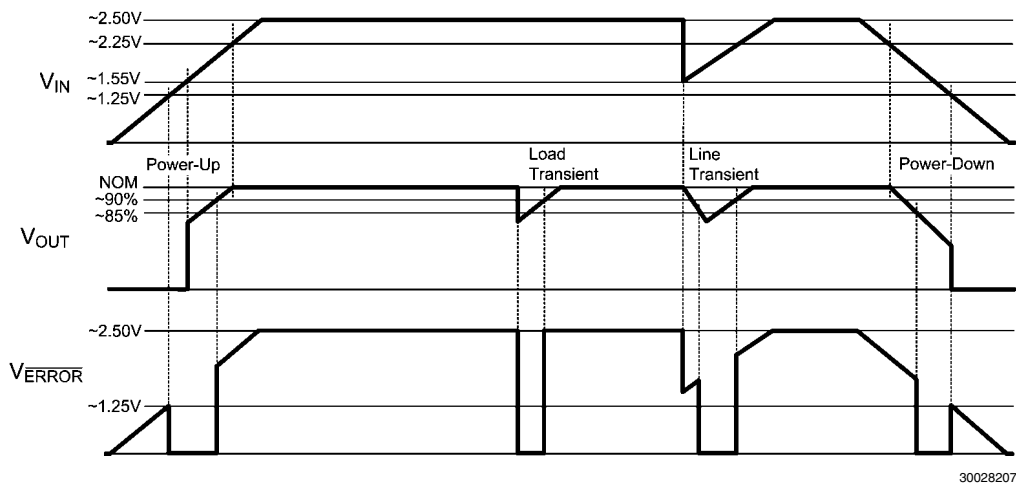
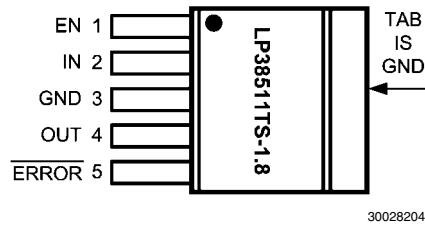
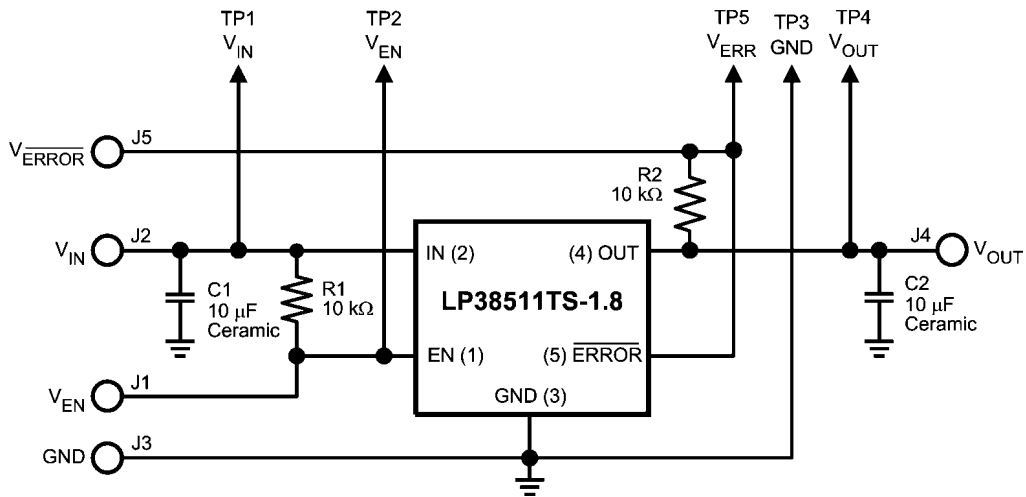


FIGURE 5.  $\overline{\text{ERROR}}$  Flag when Pull-Up is from  $V_{IN}$

## Connection Diagram

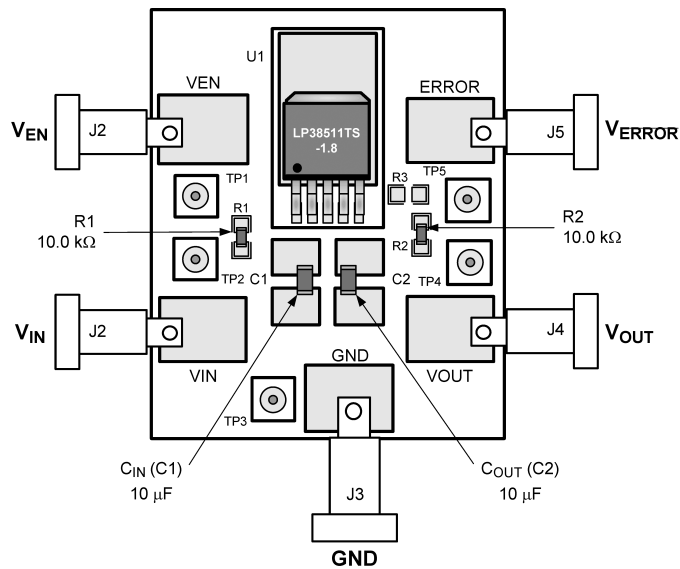


## Schematic Diagram



Evaluation Board Schematic

## PCB Layout



Evaluation Board Component and Pin Layout

## Bill of Materials

ID	Name	Description	Manufacturer	Part Number
U1	U1	LP38511TS-1.8 NOPB	National Semiconductor Corporation	LP38511TS-1.8 NOPB
C1	C <sub>IN</sub>	10 $\mu$ F, 10%, MLCC, 10V, X7R, 1210	AVX	1210ZC106KAT2A
C2	C <sub>OUT</sub>	10 $\mu$ F, 10%, MLCC, 10V, X7R, 1210	AXV	1210ZC106KAT2A
J1	V <sub>EN</sub>	Banana Jack : Insulated Solder Terminal ; White	Johnson Components	108-0901-001
J2	V <sub>IN</sub>	Banana Jack : Insulated Solder Terminal ; Red		108-0902-001
J3	GND	Banana Jack : Insulated Solder Terminal ; Black		108-0903-001
J4	V <sub>OUT</sub>	Banana Jack : Insulated Solder Terminal ; Orange		108-0906-001
J5	V <sub>ERR</sub>	Banana Jack : Insulated Solder Terminal ; Blue		108-0910-001
R1	—	Resistor: 10 k $\Omega$ $\pm$ 1%; 0805	Vishay Dale	CRCW 0805 1002 F
R2	—	Resistor: 10 k $\Omega$ $\pm$ 1%; 0805	Vishay Dale	CRCW 0805 1002 F
R3	—	Not Installed	N/A	N/A
TP1	TP <sub>EN</sub>	Turret Terminal : Mounting Hole Diameter = 0.062"	Keystone	1593-2
TP2	TP <sub>IN</sub>			
TP3	TP <sub>GND</sub>			
TP4	TP <sub>OUT</sub>			
TP5	TP <sub>BIAS</sub>			

# Notes

AN-1675

# Notes

For more National Semiconductor product information and proven design tools, visit the following Web sites at:

Products		Design Support	
Amplifiers	<a href="http://www.national.com/amplifiers">www.national.com/amplifiers</a>	WEBENCH	<a href="http://www.national.com/webench">www.national.com/webench</a>
Audio	<a href="http://www.national.com/audio">www.national.com/audio</a>	Analog University	<a href="http://www.national.com/AU">www.national.com/AU</a>
Clock Conditioners	<a href="http://www.national.com/timing">www.national.com/timing</a>	App Notes	<a href="http://www.national.com/appnotes">www.national.com/appnotes</a>
Data Converters	<a href="http://www.national.com/adc">www.national.com/adc</a>	Distributors	<a href="http://www.national.com/contacts">www.national.com/contacts</a>
Displays	<a href="http://www.national.com/displays">www.national.com/displays</a>	Green Compliance	<a href="http://www.national.com/quality/green">www.national.com/quality/green</a>
Ethernet	<a href="http://www.national.com/ethernet">www.national.com/ethernet</a>	Packaging	<a href="http://www.national.com/packaging">www.national.com/packaging</a>
Interface	<a href="http://www.national.com/interface">www.national.com/interface</a>	Quality and Reliability	<a href="http://www.national.com/quality">www.national.com/quality</a>
LVDS	<a href="http://www.national.com/lvds">www.national.com/lvds</a>	Reference Designs	<a href="http://www.national.com/refdesigns">www.national.com/refdesigns</a>
Power Management	<a href="http://www.national.com/power">www.national.com/power</a>	Feedback	<a href="http://www.national.com/feedback">www.national.com/feedback</a>
Switching Regulators	<a href="http://www.national.com/switchers">www.national.com/switchers</a>		
LDOs	<a href="http://www.national.com/ldo">www.national.com/ldo</a>		
LED Lighting	<a href="http://www.national.com/led">www.national.com/led</a>		
PowerWise	<a href="http://www.national.com/powerwise">www.national.com/powerwise</a>		
Serial Digital Interface (SDI)	<a href="http://www.national.com/sdi">www.national.com/sdi</a>		
Temperature Sensors	<a href="http://www.national.com/tempsensors">www.national.com/tempsensors</a>		
Wireless (PLL/VCO)	<a href="http://www.national.com/wireless">www.national.com/wireless</a>		

THE CONTENTS OF THIS DOCUMENT ARE PROVIDED IN CONNECTION WITH NATIONAL SEMICONDUCTOR CORPORATION ("NATIONAL") PRODUCTS. NATIONAL MAKES NO REPRESENTATIONS OR WARRANTIES WITH RESPECT TO THE ACCURACY OR COMPLETENESS OF THE CONTENTS OF THIS PUBLICATION AND RESERVES THE RIGHT TO MAKE CHANGES TO SPECIFICATIONS AND PRODUCT DESCRIPTIONS AT ANY TIME WITHOUT NOTICE. NO LICENSE, WHETHER EXPRESS, IMPLIED, ARISING BY ESTOPPEL OR OTHERWISE, TO ANY INTELLECTUAL PROPERTY RIGHTS IS GRANTED BY THIS DOCUMENT.

TESTING AND OTHER QUALITY CONTROLS ARE USED TO THE EXTENT NATIONAL DEEMS NECESSARY TO SUPPORT NATIONAL'S PRODUCT WARRANTY. EXCEPT WHERE MANDATED BY GOVERNMENT REQUIREMENTS, TESTING OF ALL PARAMETERS OF EACH PRODUCT IS NOT NECESSARILY PERFORMED. NATIONAL ASSUMES NO LIABILITY FOR APPLICATIONS ASSISTANCE OR BUYER PRODUCT DESIGN. BUYERS ARE RESPONSIBLE FOR THEIR PRODUCTS AND APPLICATIONS USING NATIONAL COMPONENTS. PRIOR TO USING OR DISTRIBUTING ANY PRODUCTS THAT INCLUDE NATIONAL COMPONENTS, BUYERS SHOULD PROVIDE ADEQUATE DESIGN, TESTING AND OPERATING SAFEGUARDS.

EXCEPT AS PROVIDED IN NATIONAL'S TERMS AND CONDITIONS OF SALE FOR SUCH PRODUCTS, NATIONAL ASSUMES NO LIABILITY WHATSOEVER, AND NATIONAL DISCLAIMS ANY EXPRESS OR IMPLIED WARRANTY RELATING TO THE SALE AND/OR USE OF NATIONAL PRODUCTS INCLUDING LIABILITY OR WARRANTIES RELATING TO FITNESS FOR A PARTICULAR PURPOSE, MERCHANTABILITY, OR INFRINGEMENT OF ANY PATENT, COPYRIGHT OR OTHER INTELLECTUAL PROPERTY RIGHT.

## LIFE SUPPORT POLICY

**NATIONAL'S PRODUCTS ARE NOT AUTHORIZED FOR USE AS CRITICAL COMPONENTS IN LIFE SUPPORT DEVICES OR SYSTEMS WITHOUT THE EXPRESS PRIOR WRITTEN APPROVAL OF THE CHIEF EXECUTIVE OFFICER AND GENERAL COUNSEL OF NATIONAL SEMICONDUCTOR CORPORATION.** As used herein:

Life support devices or systems are devices which (a) are intended for surgical implant into the body, or (b) support or sustain life and whose failure to perform when properly used in accordance with instructions for use provided in the labeling can be reasonably expected to result in a significant injury to the user. A critical component is any component in a life support device or system whose failure to perform can be reasonably expected to cause the failure of the life support device or system or to affect its safety or effectiveness.

National Semiconductor and the National Semiconductor logo are registered trademarks of National Semiconductor Corporation. All other brand or product names may be trademarks or registered trademarks of their respective holders.

Copyright© 2007 National Semiconductor Corporation

For the most current product information visit us at [www.national.com](http://www.national.com)



**National Semiconductor Americas Customer Support Center**  
 Email: [new.feedback@nsc.com](mailto:new.feedback@nsc.com)  
 Tel: 1-800-272-9959

**National Semiconductor Europe Customer Support Center**  
 Fax: +49 (0) 180-530-85-86  
 Email: [europe.support@nsc.com](mailto:europe.support@nsc.com)  
 Deutsch Tel: +49 (0) 69 9508 6208  
 English Tel: +49 (0) 870 24 0 2171  
 Français Tel: +33 (0) 1 41 91 8790

**National Semiconductor Asia Pacific Customer Support Center**  
 Email: [ap.support@nsc.com](mailto:ap.support@nsc.com)

**National Semiconductor Japan Customer Support Center**  
 Fax: 81-3-5639-7507  
 Email: [jpn.feedback@nsc.com](mailto:jpn.feedback@nsc.com)  
 Tel: 81-3-5639-7560