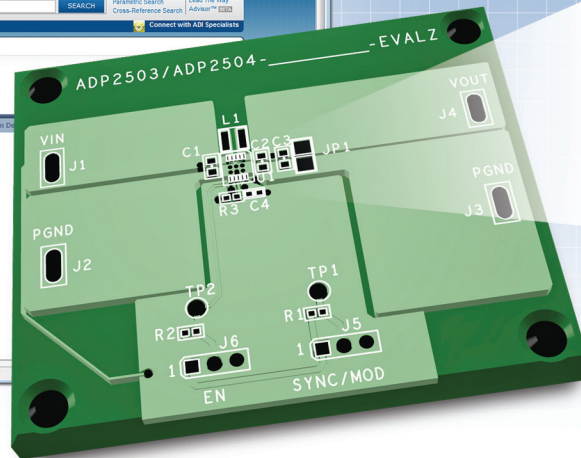


Power Management RedyKit

A Complete Power Development Kit in One Convenient Package



Features

- Two fully assembled and tested evaluation boards per kit
- Full set of IC voltage options in each kit
- 3 samples of each IC voltage option packed in separate antistatic bags
- Kit allows the user to quickly evaluate all IC voltage options
- Only need to order one kit per product family

RedyKit Availability and Voltage Options

Part Number	Board Voltage Options
ADP121UJZ-REDYKIT	2.8 V, 3.3 V, all voltages in kit
ADP122UJZ-REDYKIT	2.5 V, 3.3 V, all voltages in kit
ADP124CPZ-REDYKIT	1.8 V, 3.3 V, all voltages in kit
ADP124RHZ-REDYKIT	2.8 V, 3.3 V, all voltages in kit
ADP130UJZ-REDYKIT	1.2 V, 1.8 V, all voltages in kit
ADP150UJZ-REDYKIT	1.8 V, 3.3 V, all voltages in kit
ADP151CPZ-REDYKIT	2.8 V, 3.0 V, all voltages in kit
ADP151UJZ-REDYKIT	1.8 V, 3.3 V, all voltages in kit
ADP160UJZ-REDYKIT	1.8 V, 3.3 V, all voltages in kit
ADP162UJZ-REDYKIT	3.3 V, 4.2 V, all voltages in kit
ADP2108UJZ-REDYKIT	1.2 V, 3.3 V, all voltages in kit
ADP2140CPZ-REDYKIT*	3.3 V + 1.8 V, 1.5 V + 2.8 V, all voltages in kit
ADP2503CPZ-REDYKIT	3.3 V, 5.0 V, all voltages in kit
ADP2504CPZ-REDYKIT	2.8 V, 5.0 V, all voltages in kit

*ADP2140CPZ-REDYKIT is buck/LDO, and voltage is buck, then LDO voltage.

Description

Analog Devices' power RedyKit™ simplifies product evaluation by providing two assembled and tested evaluation boards, plus a full set of product options, for example, multiple voltage options for an IC regulator.

In the example of a low dropout (LDO) regulator, a traditional evaluation board offers the user a single voltage output, say 3.3 V, that is trimmed to high accuracy by the manufacturer or set by two precision resistors in the case of an adjustable version. If the user wants a 2.5 V output from the evaluation board, a different IC may have to be ordered from the manufacturer, which incurs one or more days delay before evaluation—very inconvenient.

To make the process simpler for the customer, Analog Devices has chosen to offer a complete product evaluation kit, the RedyKit, which includes two evaluation boards, plus all the standard options in a product family. The kit allows the user to evaluate all the options with one easy to order kit. All the IC options come sorted and stored in the kit with the Analog Devices part number clearly printed on each antistatic zip-top bag. To order these kits, contact your local sales office. Data sheets and schematics can be found on the respective product Web pages. The URL will be included in the kit.

For additional information, go to the Analog Devices website at www.analog.com/power.

About ADI

Innovation, performance, and excellence are the cultural pillars on which Analog Devices has built one of the longest standing, highest growth companies within the technology sector. Acknowledged industry-wide as the world leader in data conversion and signal conditioning technology, ADI has applied this same innovative spirit into its growing portfolio of high performance power management ICs. Analog Devices is proud to serve over 60,000 customers worldwide, representing virtually all types of electronic equipment.

**Analog Devices, Inc.
Worldwide Headquarters**

Analog Devices, Inc.
Three Technology Way
P.O. Box 9106
Norwood, MA 02062-9106
U.S.A.
Tel: 781.329.4700
(800.262.5643,
U.S.A. only)
Fax: 781.461.3113

**Analog Devices, Inc.
Europe Headquarters**

Analog Devices, Inc.
Wilhelm-Wagenfeld-Str. 6
80807 Munich
Germany
Tel: 49.89.76903.0
Fax: 49.89.76903.157

**Analog Devices, Inc.
Japan Headquarters**

Analog Devices, KK
New Pier Takeshiba
South Tower Building
1-16-1 Kaigan, Minato-ku,
Tokyo, 105-6891
Japan
Tel: 813.5402.8200
Fax: 813.5402.1064

**Analog Devices, Inc.
Southeast Asia
Headquarters**

Analog Devices
22/F One Corporate Avenue
222 Hu Bin Road
Shanghai, 200021
China
Tel: 86.21.2320.8000
Fax: 86.21.2320.8222