



STEVAL-ILL017V1

Offline constant current LED driver based on the VIPer17

Data Brief

Features

- Input voltage 220 VAC +/- 20%
- 800 V avalanche rugged power section
- Provides 500 mA constant current for LED
- High precision constant current with +/- 5% tolerance (1 sense resistor and 2 resistor bridges with +/- 1% precision)
- Overtemperature protection
- LED open-circuit protection
- LED short-circuit protection
- PWM operation with frequency jittering for low EMI
- Operating frequency:
 - 60 kHz for L type
 - 115 kHz for H type
- Standby power < 50 mW at 265 VAC
- Adjustable and accurate overvoltage protection
- On-board soft-start
- Safe auto-restart after a fault condition

Applications

- Adapters for PDAs, camcorders, electric shavers, cellular phones, videogames
- Auxiliary power supply for LCD/PDP TVs, monitors, audio systems, computers, industrial applications
- SMPS for set-top boxes, DVD players/ recorders, white goods

Description

The STEVAL-ILL017V1 demonstration board is a 2 W non-isolated offline constant current LED driver based on the VIPer17. The board operates with an input ranging from 176 V to 264 VAC and provides 500 mA of constant current from a 7



STEVAL-ILL017V1

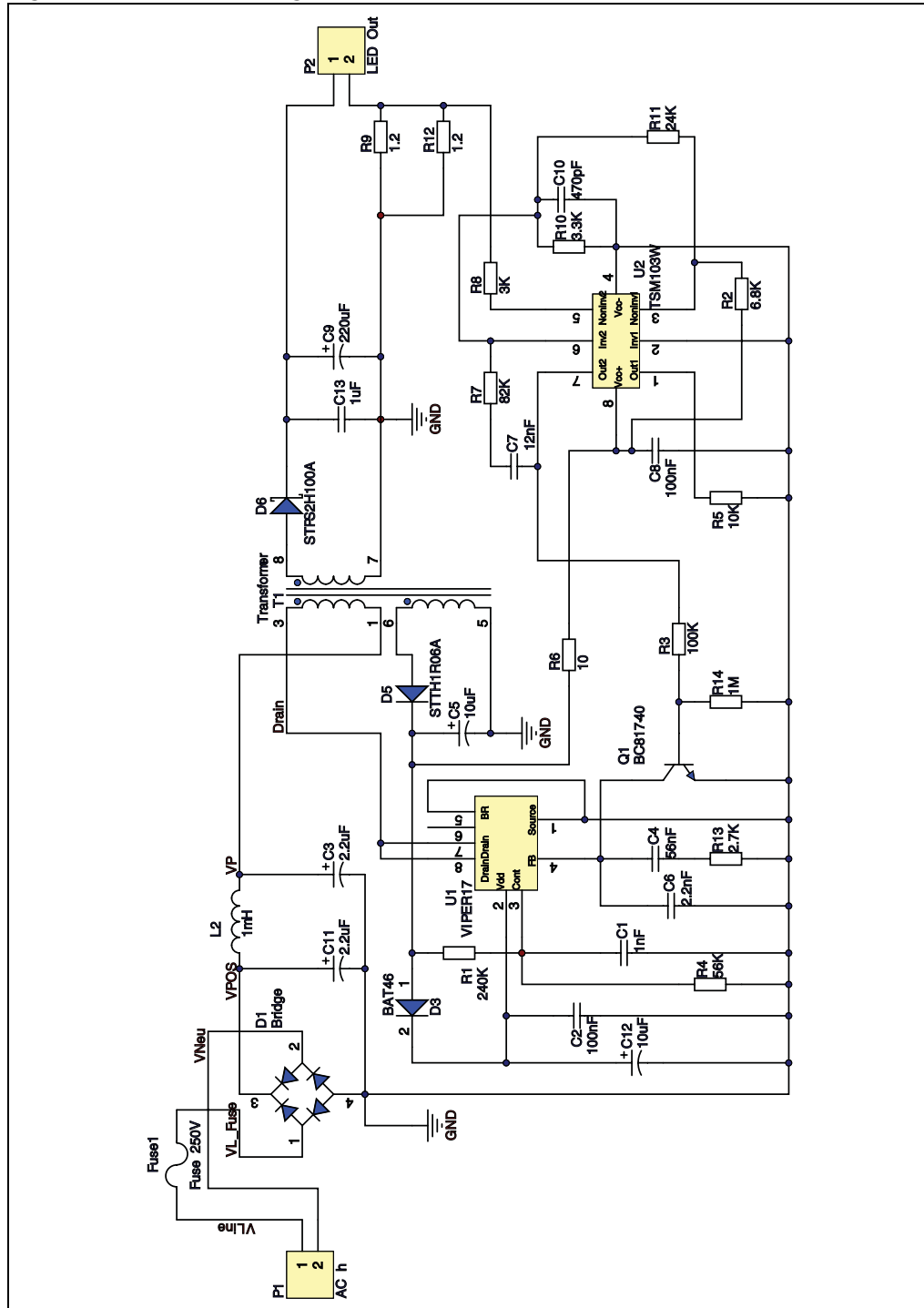
VDC source, suitable for illuminating two LEDs in series.

The VIPer17 device is an offline converter with an 800 V rugged power section, a PWM control, overcurrent protection, overvoltage and overload protection, hysteretic thermal protection, soft-start and safe auto-restart after the removal of a fault condition. The brown-out protection function is embedded into the high voltage start-up.

Burst mode operation and the very low consumption of the device combine to meet standby energy saving regulations. Advanced frequency jittering reduces EMI filter cost.

1 Circuit schematic

Figure 1. Schematic diagram



2 Revision history

Table 1. Document revision history

Date	Revision	Changes
01-Sep-2008	1	Initial release.

Please Read Carefully:

Information in this document is provided solely in connection with ST products. STMicroelectronics NV and its subsidiaries ("ST") reserve the right to make changes, corrections, modifications or improvements, to this document, and the products and services described herein at any time, without notice.

All ST products are sold pursuant to ST's terms and conditions of sale.

Purchasers are solely responsible for the choice, selection and use of the ST products and services described herein, and ST assumes no liability whatsoever relating to the choice, selection or use of the ST products and services described herein.

No license, express or implied, by estoppel or otherwise, to any intellectual property rights is granted under this document. If any part of this document refers to any third party products or services it shall not be deemed a license grant by ST for the use of such third party products or services, or any intellectual property contained therein or considered as a warranty covering the use in any manner whatsoever of such third party products or services or any intellectual property contained therein.

UNLESS OTHERWISE SET FORTH IN ST'S TERMS AND CONDITIONS OF SALE ST DISCLAIMS ANY EXPRESS OR IMPLIED WARRANTY WITH RESPECT TO THE USE AND/OR SALE OF ST PRODUCTS INCLUDING WITHOUT LIMITATION IMPLIED WARRANTIES OF MERCHANTABILITY, FITNESS FOR A PARTICULAR PURPOSE (AND THEIR EQUIVALENTS UNDER THE LAWS OF ANY JURISDICTION), OR INFRINGEMENT OF ANY PATENT, COPYRIGHT OR OTHER INTELLECTUAL PROPERTY RIGHT.

UNLESS EXPRESSLY APPROVED IN WRITING BY AN AUTHORIZED ST REPRESENTATIVE, ST PRODUCTS ARE NOT RECOMMENDED, AUTHORIZED OR WARRANTED FOR USE IN MILITARY, AIR CRAFT, SPACE, LIFE SAVING, OR LIFE SUSTAINING APPLICATIONS, NOR IN PRODUCTS OR SYSTEMS WHERE FAILURE OR MALFUNCTION MAY RESULT IN PERSONAL INJURY, DEATH, OR SEVERE PROPERTY OR ENVIRONMENTAL DAMAGE. ST PRODUCTS WHICH ARE NOT SPECIFIED AS "AUTOMOTIVE GRADE" MAY ONLY BE USED IN AUTOMOTIVE APPLICATIONS AT USER'S OWN RISK.

Resale of ST products with provisions different from the statements and/or technical features set forth in this document shall immediately void any warranty granted by ST for the ST product or service described herein and shall not create or extend in any manner whatsoever, any liability of ST.

ST and the ST logo are trademarks or registered trademarks of ST in various countries.

Information in this document supersedes and replaces all information previously supplied.

The ST logo is a registered trademark of STMicroelectronics. All other names are the property of their respective owners.

© 2008 STMicroelectronics - All rights reserved

STMicroelectronics group of companies

Australia - Belgium - Brazil - Canada - China - Czech Republic - Finland - France - Germany - Hong Kong - India - Israel - Italy - Japan - Malaysia - Malta - Morocco - Singapore - Spain - Sweden - Switzerland - United Kingdom - United States of America

www.st.com