

LM2793 Evaluation Board

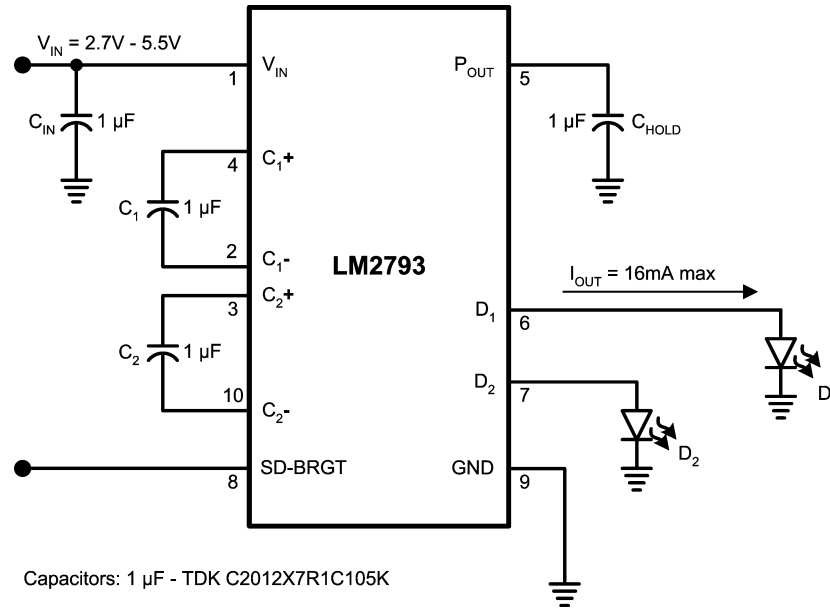
National Semiconductor
Application Note 1278
Karl Schlosstein
March 2004



The LM2793 Evaluation Board may be used to test and evaluate a typical LM2793 application circuit. The layout includes extra large pads for all capacitors and White LEDs (D₁, D₂) to simplify the changing of external components and accommodate different case sizes. The layout of the board is recommended as a guide for end-use board design.

This Board has been pre-configured to deliver 16mA to both constant current outputs when SD-BRGT is connected to V_{IN}. Alternatively, LED Current can be adjusted by applying an analog voltage or Pulse-Width Modulated signal to the SD-BRGT pin. For more detail on the LM2793 features and specifications, please refer to the LM2793 Datasheet.

Evaluation Board Schematic



Components

I.C.

Part #	Package Mark I.D.	Package	Dimensions	Current Option
LM2793	L2793	LLP10 (LDA10A)	(L x W x H) 3.0mm x 3.0mm x 0.8mm	16mA

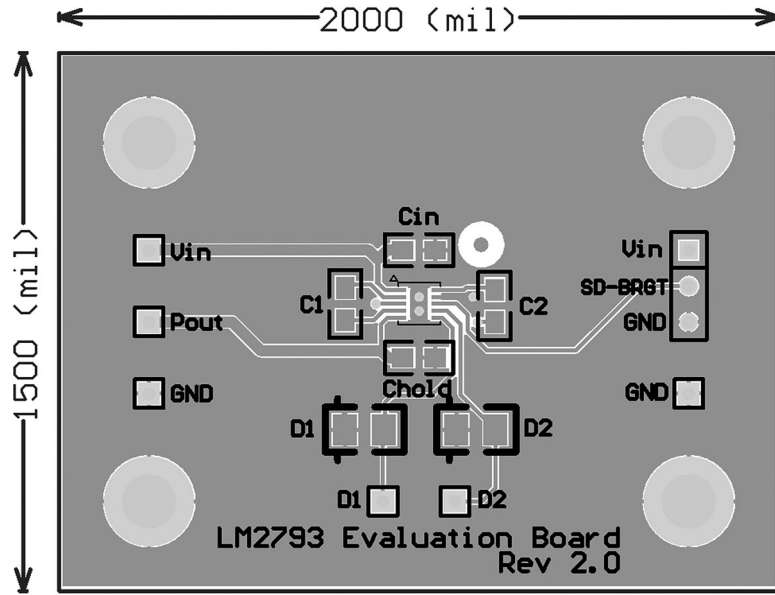
CAPACITORS

Capacitor Symbol	Value	Case Size U.S. (Metric)	Height	Temperature Characteristic	Mfr.	Part #
C _{IN}	1.0µF, 10V	0805 (2012)	1.25mm	X7R	TDK	C2012X7R1A105K
C ₁	1.0µF, 10V	0805 (2012)	1.25mm	X7R	TDK	C2012X7R1A105K
C ₂	1.0µF, 10V	0805 (2012)	1.25mm	X7R	TDK	C2012X7R1A105K
C _{HOLD}	1.0µF, 10V	0805 (2012)	1.25mm	X7R	TDK	C2012X7R1A105K

MISCELLANEOUS

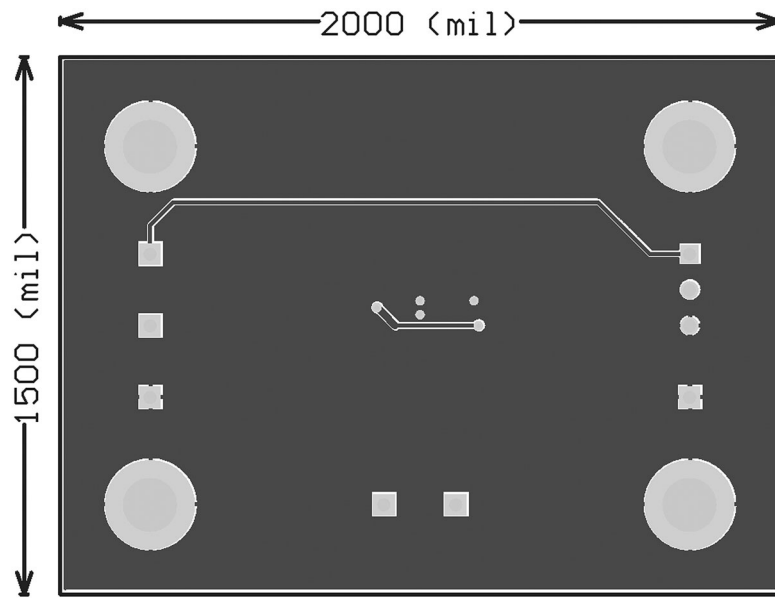
LED Symbol	LED Forward Voltage	Case Size	Height	Temperature Range	Mfr.	Part #
D ₁ , D ₂	3.6V	2.1mm x 1.3mm	1.2mm	-40°C to +100°C	OSRAM	LW M67C

Board Layers



Top Layer, Top View

20067502



Bottom Layer, Top View (unmirrored)

20067503

Notes

LIFE SUPPORT POLICY

NATIONAL'S PRODUCTS ARE NOT AUTHORIZED FOR USE AS CRITICAL COMPONENTS IN LIFE SUPPORT DEVICES OR SYSTEMS WITHOUT THE EXPRESS WRITTEN APPROVAL OF THE PRESIDENT AND GENERAL COUNSEL OF NATIONAL SEMICONDUCTOR CORPORATION. As used herein:

1. Life support devices or systems are devices or systems which, (a) are intended for surgical implant into the body, or (b) support or sustain life, and whose failure to perform when properly used in accordance with instructions for use provided in the labeling, can be reasonably expected to result in a significant injury to the user.
2. A critical component is any component of a life support device or system whose failure to perform can be reasonably expected to cause the failure of the life support device or system, or to affect its safety or effectiveness.

BANNED SUBSTANCE COMPLIANCE

National Semiconductor certifies that the products and packing materials meet the provisions of the Customer Products Stewardship Specification (CSP-9-111C2) and the Banned Substances and Materials of Interest Specification (CSP-9-111S2) and contain no "Banned Substances" as defined in CSP-9-111S2.



National Semiconductor
Americas Customer
Support Center
Email: new.feedback@nsc.com
Tel: 1-800-272-9959

www.national.com

National Semiconductor
Europe Customer Support Center
Fax: +49 (0) 180-530 85 86
Email: europe.support@nsc.com
Deutsch Tel: +49 (0) 69 9508 6208
English Tel: +44 (0) 870 24 0 2171
Français Tel: +33 (0) 1 41 91 8790

National Semiconductor
Asia Pacific Customer
Support Center
Email: ap.support@nsc.com

National Semiconductor
Japan Customer Support Center
Fax: 81-3-5639-7507
Email: jpn.feedback@nsc.com
Tel: 81-3-5639-7560