

# Test Procedure for MC34063 Buck Regulator (Leaded) Demonstration Board

ON Semiconductor



11/11/2003

**Table 1: Required Equipment**

Three Black Test Leads	Three Red Test Leads	100mA load (or 33 ohm, 1W resistor)
12 VDC Power Supply	MC34063 Buck Regulator	Digital Multimeter
Four Alligator Clips		

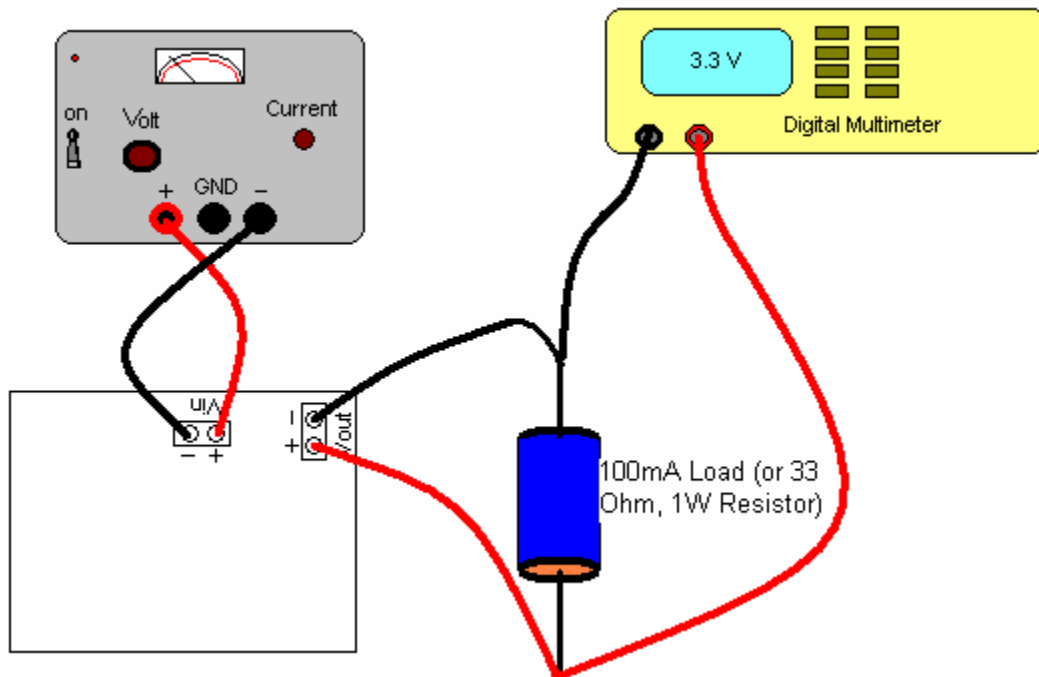


Figure 1: Test Procedure for MC34063

1. Attach 100mA load (or 33 ohm, 1W resistor) to connector P502.
2. Attach 12 VDC source to connector P501 – observe polarity.
3. Turn on 12 VDC source.
4. Measure DC output voltage at connector P502.
5. DC voltage should be 3.3 V +/- 0.15 V.
6. Remove load.
7. Measure DC output voltage at connector P502.
8. DC voltage should be 3.3 V +/- 0.15 V.
9. Remove 12 VDC source and disconnect load – test complete.