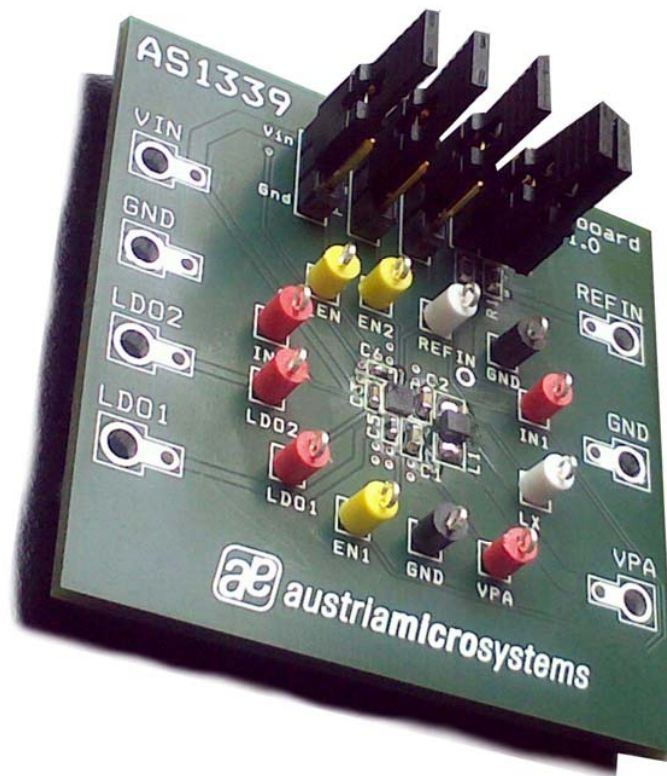


AS1339

Evaluation Board Application Note



General Description

Board Description

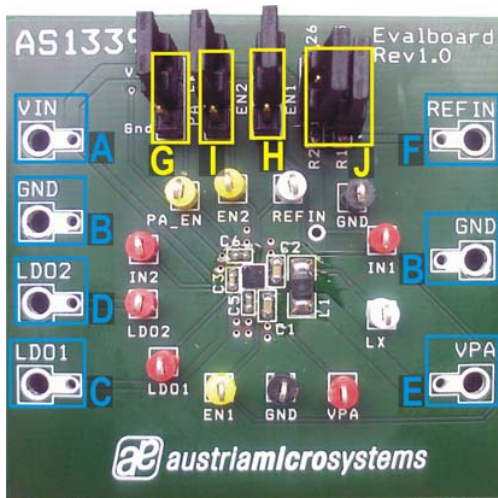


Figure 1: Board Description - Connector

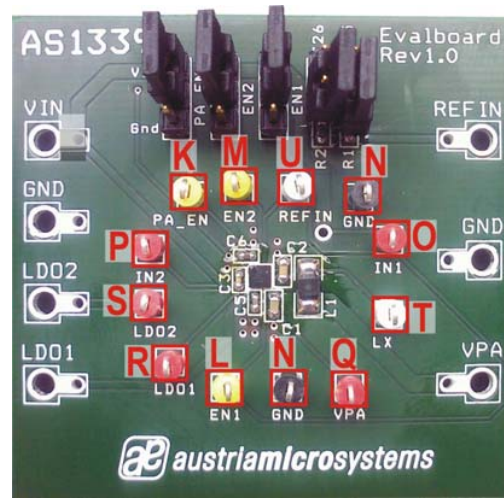


Figure 2: Board Description – Measurement Points











Connector Description

Label	Name	Description	Info
A	VIN	Input Voltage	Input voltage ranging from 2.7V to 5.5V
B	GND	Ground	
C	LDO1	LDO1 Output Connector	Output voltage: 2.85V
D	LDO2	LDO2 Output Connector	
E	VPA	Step-Down Output Connector	Output voltage ranging from 0.8V to 3.75V
F	REFIN	DAC Controlled Input	Reference voltage for step-down converter

Measurement Points Description

Label	Name	Description	Info
K	PA_EN	Enable for Step-Down	Measurement Points
L	EN1	Enable for LDO1	
M	EN2	Enable for LDO2	
N	GND	Ground.	
O	IN1	Power Input for the Step-Down	
P	IN2	Power Input for the LDO's	
Q	VPA	Output of the Step-Down	
R	LDO1	Output of the LDO1	
S	LDO2	Output of the LDO2	
T	LX	External Inductor	
U	REFIN	Reference Input	

Jumper Description

Label	Name	Description	Info
G	PA_EN	Enable Jumper Step-Down	 ON = The Step-Down of the AS1339 is on.  OFF = The Step-Down of the AS1339 is off.
H	EN1	Enable Jumper LDO1	 ON = The LDO1 of the AS1339 is on.  OFF = The LDO1 of the AS1339 is off.
I	EN2	Enable Jumper LDO2	 ON = The LDO2 of the AS1339 is on.  OFF = The LDO2 of the AS1339 is off.
J	R2, R1	Voltage Divider	 R2 and R1 are set; The Output Voltage of the Step-Down is regulated to 1.8V.
		Pull - up	 R2 is open, R1 is set; The Output Voltage of the Step-Down is regulated to 3.75V or is in Bypass Mode.
		Pull - down	 R2 is set, R1 is open; The Output Voltage of the Step-Down is regulated to maximum 0.8V.
		Connector F (REFIN)	 R2 and R1 are open; The Output Voltage of the Step-Down can be set via an external source on Connector "F" (REFIN). Allowed Voltage Range on REFIN: GND to VIN

Note:

- For all current measurements remove both jumper "J" (R1 and R2).
- Due to the tolerances of the external resistances R1 and R2, the stated output voltages of the Step-Down converter are not guaranteed.

Operational sequence

This evaluation board comes with the AS1339.

1. Drive the IC on the evaluation board only with the recommended settings and values as described in the datasheet.
2. Connect a 2.7V to 5.5V power supply (VIN "A" and GND "B").
3. Perform measurements at the measurement points "K" to "U".

If there are questions do not hesitate to contact us. See contact information at the end of the application note.

Layout of evaluation board

Board schematics and layout

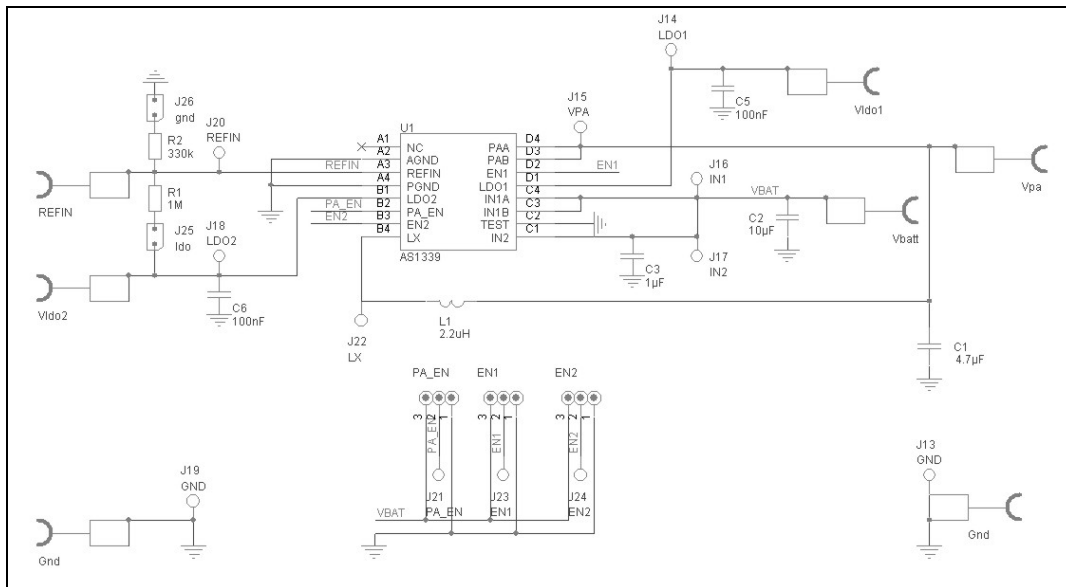


Figure 3: Schematics

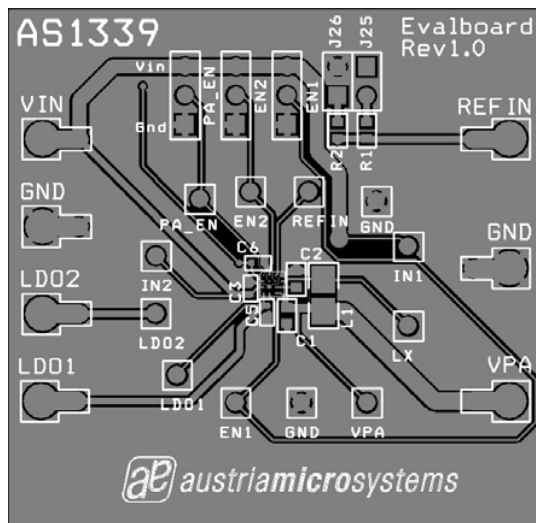


Figure 4: Top view

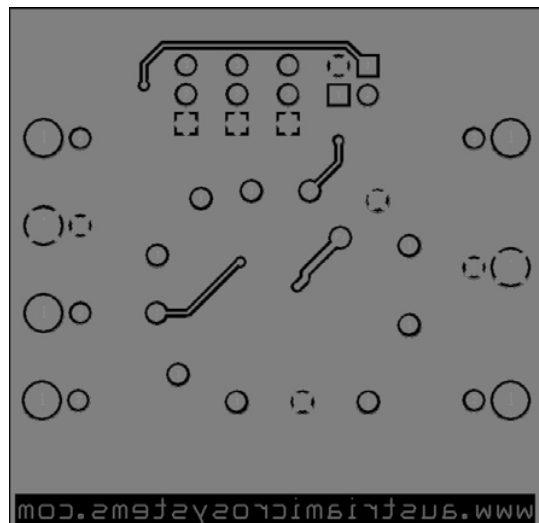


Figure 5: Bottom view

Assembly List

Label	Info	Type	Manufacturer
C1	4.7µF, 6.3V, 0603, X5R	GRM188R60J475KE19D	Murata
C2	10µF, 6.3V, 0603, X5R	GRM188R60J106ME47D	
C3	1µF, 10V, 0402, X5R	GRM155R61A105KE15	
C5, C6	100nF, 10V, 0402, X5R	GRM155R61A104KA01B	
L1	2.2µH, 0.98A, 120mΩ, 2.2x2.0x1.4mm	EPL2014-222MLC	Coilcraft
R1	1MΩ, 0603		
R2	330kΩ, 0603		

Copyright

Copyright © 1997-2009, austriamicrosystems AG, Schloss Premstaetten, 8141 Unterpremstaetten, Austria-Europe. Trademarks Registered ®. All rights reserved. The material herein may not be reproduced, adapted, merged, translated, stored, or used without the prior written consent of the copyright owner.

All products and companies mentioned are trademarks or registered trademarks of their respective companies.

Disclaimer

Devices sold by austriamicrosystems AG are covered by the warranty and patent indemnification provisions appearing in its Term of Sale. austriamicrosystems AG makes no warranty, express, statutory, implied, or by description regarding the information set forth herein or regarding the freedom of the described devices from patent infringement. Austriamicrosystems AG reserves the right to change specifications and prices at any time and without notice. Therefore, prior to designing this product into a system, it is necessary to check with austriamicrosystems AG for current information.

This product is intended for use in normal commercial applications. Applications requiring extended temperature range, unusual environmental requirements, or high reliability applications, such as military, medical life-support or lifesustaining equipment are specifically not recommended without additional processing by austriamicrosystems AG for each application. For shipments of less than 100 parts the manufacturing flow might show deviations from the standard production flow, such as test flow or test location.

The information furnished here by austriamicrosystems AG is believed to be correct and accurate. However, austriamicrosystems AG shall not be liable to recipient or any third party for any damages, including but not limited to personal injury, property damage, loss of profits, loss of use, interruption of business or indirect, special, incidental or consequential damages, of any kind, in connection with or arising out of the furnishing, performance or use of the technical data herein. No obligation or liability to recipient or any third party shall arise or flow out of austriamicrosystems AG rendering of technical or other services.



Contact Information

Headquarters

austriamicrosystems AG
A-8141 Schloss Premstätten, Austria
T. +43 (0) 3136 500 0
F. +43 (0) 3136 5692

For Sales Offices, Distributors and Representatives, please visit:
<http://www.austriamicrosystems.com/contact-us>