

LM3670 Evaluation Board

National Semiconductor
Application Note 1348
Netnarin Joy Taylor
October 9, 2008



Introduction

The LM3670 evaluation board is a working demonstration of a step down DC-DC converter. This application note contains information about the evaluation board. For further information on buck converter topology, device electrical characteristics, and component selection please refer to the datasheet.

General Description

The LM3670 converts high input voltages to lower output voltages with high efficiency through an inductor based switching topology. Automatic intelligent switching between PWM low-

noise and PFM low-current mode offers improved system control. LM3670 is available in both fixed output voltage options (1.2V, 1.5V, 1.6V, 1.8V, 1.875V, 2.5V, 3.3V) and adjustable voltage options range from 0.7V to 2.5V. The LM3670 is available in a SOT23-5 package.

Operating Conditions

- V_{IN} range: $2.5V \leq V_{IN} \leq 5.5V$
- Recommended load current: $0\text{ mA} \leq I_{OUT} \leq 350\text{ mA}$
- Ambient temperature (T_A) range: $-40C$ to $+85C$
- Junction temperature (T_J) range: $-40C$ to $+125C$

Typical Application

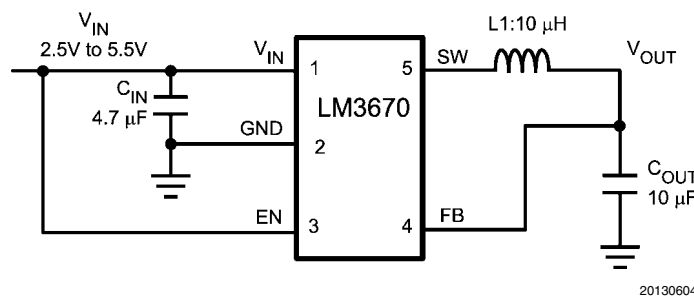


FIGURE 1. Fixed Output Voltage--Typical Application Circuit

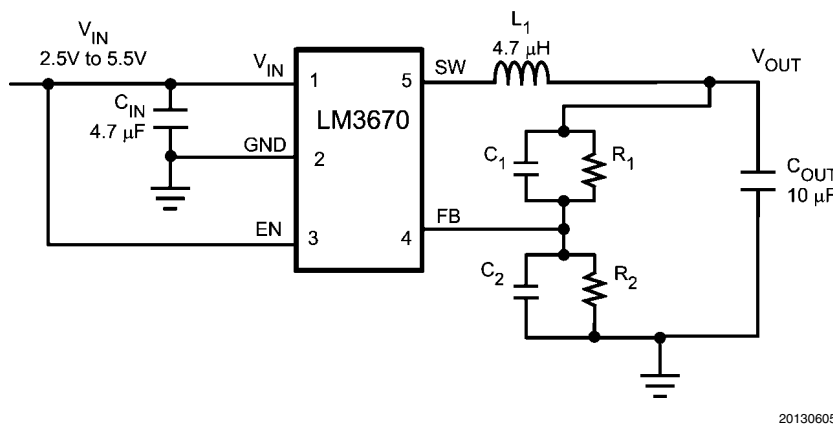


FIGURE 2. Adjustable Output Voltage—Typical Application Circuit

Output Voltage Selection for LM3670MF-ADJ

The output voltage of the adjustable parts can be programmed through the resistor network connected from V_{OUT} to V_{FB} to GND. The resistor from V_{FB} to GND (R_2) should be at least 100k Ω to keep the current sunk through this network well below 15 μ A quiescent current level (PFM mode with no switching) but large enough that it is not susceptible to noise. If R_2 is 200k Ω , and given the V_{FB} is 0.5V, then the current through the resistor feedback network will be 2.5 μ A ($I_{FB} = 0.5V/R_2$). The output voltage formula is:

$$V_{OUT} = V_{FB} \left(\frac{R_1}{R_2} + 1 \right)$$

V_{OUT} : output voltage (V)

V_{FB} : feedback voltage (0.5V typical)

R_1 : feedback resistor from V_{OUT} to V_{FB} (Ω)

R_2 : feedback resistor from V_{FB} to GND (Ω)

For the fixed output voltage parts the feedback resistors are internal and R_1 is 0 Ω .

The bypass capacitors C_1 and C_2 (labeled C_4 and C_5 on Evaluation Board) in parallel with the feedback resistors are chosen for increased stability. Below are the formulas for C_1 and C_2 .

$$C_1 = \frac{1}{2 * \pi * R_1 * 10 \text{ kHz}}$$

$$C_2 = \frac{1}{2 * \pi * R_2 * 10 \text{ kHz}}$$

TABLE 1. Adjustable LM3670 Configurations for Various V_{OUT}

V_{OUT} (V)	R_1 (k Ω)	R_2 (k Ω)	C_1 (pF)	C_2 (pF)	L (μ H)	C_{IN} (μ F)	C_{OUT} (μ F)
0.7	80.6	200	200	150	4.7	4.7	10
0.8	120	200	130	none	4.7	4.7	10
0.9	160	200	100	none	4.7	4.7	10
1.0	200	200	82	none	4.7	4.7	10
1.1	240	200	68	none	4.7	4.7	10
1.2	280	200	56	none	4.7	4.7	10
1.24	300	200	56	none	4.7	4.7	10
1.24	221	150	75	120	4.7	4.7	10
1.5	402	200	39	none	10	4.7	10
1.6	442	200	39	none	10	4.7	10
1.7	487	200	33	none	10	4.7	10
1.875	549	200	30	none	10	4.7	14.7 (10 4.7)
2.5	806	200	22	82	10	4.7	22

Powering the LM3670 for Bench Measurements

When powering the LM3670 with a bench power supply, it is recommended to place a 100 μ F tantalum capacitor across the V_{IN} and GND supply terminals of the bench power supply. This capacitor will reduce the input spike caused by the power

supply and long power cables. The combination of the power supply and inductance within the power cables produce a large voltage spike that may damage the device. In addition, consideration must also be looked at the enable pin of the device. The enable should never be taken high, until minimum guaranteed operating voltage of 2.7V is reached. The enable pin should also never exceed the input voltage.

Connection Diagram and Package Mark Information

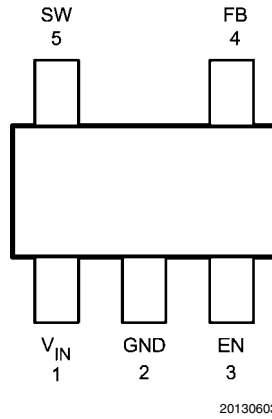
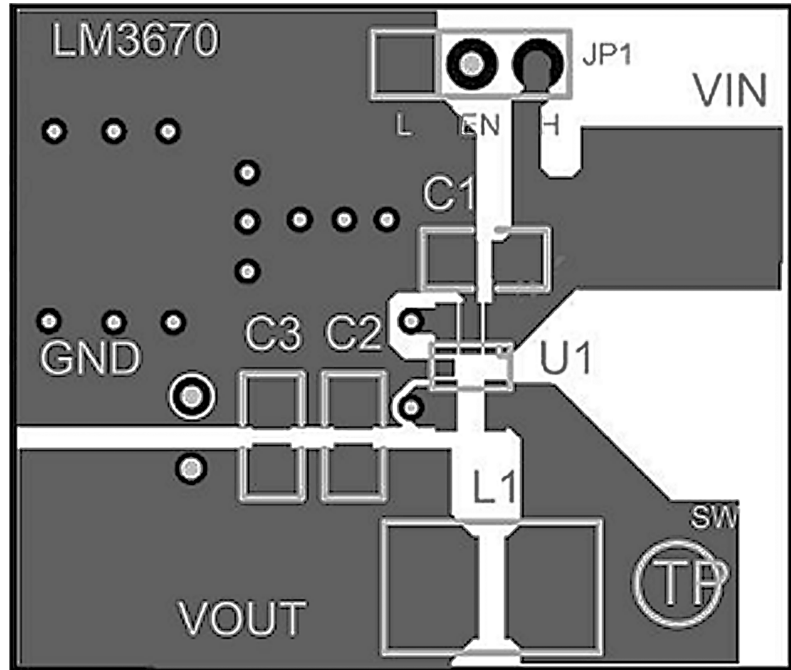


FIGURE 3. SOT23-5 Package-Top View

Pin Descriptions

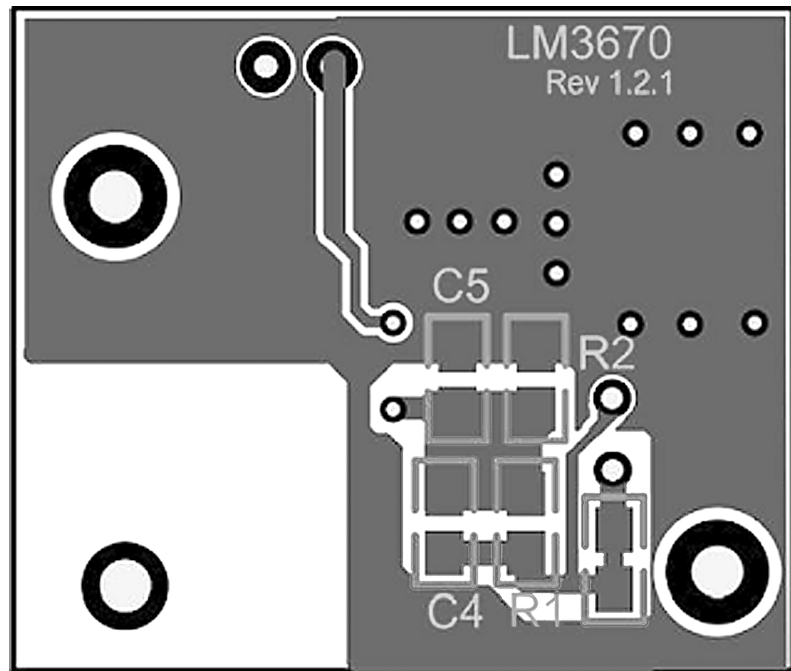
Pin #	Name	Description
1	V_{IN}	Power supply input. Connect to the input filter capacitor
2	GND	Ground pin
3	EN	Enable input
4	FB	Feedback analog input. Connect to the output filter capacitor
5	SW	Switching node connection to the internal PFET switch and NFET synchronous rectifier. Connect to an inductor with a saturation current rating that exceeds the 750 mA max. Switch Peak Current Limit Specification.

Evaluation Board Layout



20130608

FIGURE 4. Top Layer



20130609

FIGURE 5. Bottom Layer

BOM For Common Configurations

	Manufacture	Manufacture #	Description
LM3670 - 1.8V & 3.3V FIXED			
C1 (input C)	Taiyo Yuden	LMK316BJ475ML	4.7 μ F,10V,20%,1206
C3 (output C)	TDK	3216X5R0J106M	10 μ F,6.3V,20%,1206
C2 (aux output C)			
L1 (inductor)	Coilcraft	DO1608C-103	10 μ H inductor, 1.1A sat
R1 (V_{OUT} to V_{FB})	Vishay	CRCW08050R00F	0 Ω , 0805
C4 (V_{OUT} to V_{FB})			
R2 (V_{FB} to GND)			
C5 (V_{FB} to GND)			
LM3670 - 1.2V ADJUSTABLE			
C1 (input C)	Taiyo Yuden	LMK316BJ475ML	4.7 μ F,10V,20%,1206
C3 (output C)	TDK	3216X5R0J106M	10 μ F,6.3V,20%,1206
C2 (aux output C)			
L1 (inductor)	Coilcraft	DO1608C-472	4.7 μ H inductor, 1.5A sat
R1 (V_{OUT} to V_{FB})	Vishay	CRCW08052803F	280 k Ω , 0805, 1%
C4 (V_{OUT} to V_{FB})	Vishay	VJ0805Y560KXXA	56 pF, 0805, 10%
R2 (V_{FB} to GND)	Vishay	CRCW08052003F	200 k Ω , 0805, 1%
C5 (V_{FB} to GND)			
LM3670 - 1.5V ADJUSTABLE			
C1 (input C)	Taiyo Yuden	LMK316BJ475ML	4.7 μ F,10V,20%,1206
C3 (output C)	TDK	3216X5R0J106M	10 μ F,6.3V,20%,1206
C2 (aux output C)			
L1 (inductor)	Coilcraft	DO1608C-103	10 μ H inductor, 1.1A sat
R1 (V_{OUT} to V_{FB})	Vishay	CRCW08054023F	402 k Ω , 0805, 1%
C4 (V_{OUT} to V_{FB})	Vishay	VJ0805A390KXAA	39 pF, 0805, 10%
R2 (V_{FB} to GND)	Vishay	CRCW08052003F	200 k Ω , 0805, 1%
C5 (V_{FB} to GND)			
LM3670 - 2.5V ADJUSTABLE			
C1 (input C)	Taiyo Yuden	LMK316BJ475ML	4.7 μ F,10V,20%,0805
C3 (output C)	Taiyo Yuden	JMK316BJ226ML	22 μ F,6.3V,20%, 1206
C2 (aux output C)			
L1 (inductor)	Coilcraft	DO1608C-103	10 μ H inductor, 1.1A sat
R1 (V_{OUT} to V_{FB})	Vishay	CRCW08058063F	806 k Ω , 0805, 1%
C4 (V_{OUT} to V_{FB})	Vishay	VJ0805A220KXAA	22 pF, 0805, 10%
R2 (V_{FB} to GND)	Vishay	CRCW08052003F	200 k Ω , 0805, 1%
C5 (V_{FB} to GND)	Vishay	VJ0805A820KXAA	82 pF, 0805, 10%
COMMON TO ALL			
V_{IN} banana jack - red	Johnson Components	108-0902-001	connector, insulated banana jack (red)
V_{OUT} banana jack - yellow	Johnson Components	108-0907-001	connector, insulated banana jack (yellow)
GND banana jack - black	Johnson Components	108-0903-001	connector, insulated banana jack (black)

Notes

For more National Semiconductor product information and proven design tools, visit the following Web sites at:

Products		Design Support	
Amplifiers	www.national.com/amplifiers	WEBENCH	www.national.com/webench
Audio	www.national.com/audio	Analog University	www.national.com/AU
Clock Conditioners	www.national.com/timing	App Notes	www.national.com/appnotes
Data Converters	www.national.com/adc	Distributors	www.national.com/contacts
Displays	www.national.com/displays	Green Compliance	www.national.com/quality/green
Ethernet	www.national.com/ethernet	Packaging	www.national.com/packaging
Interface	www.national.com/interface	Quality and Reliability	www.national.com/quality
LVDS	www.national.com/lvds	Reference Designs	www.national.com/refdesigns
Power Management	www.national.com/power	Feedback	www.national.com/feedback
Switching Regulators	www.national.com/switchers		
LDOs	www.national.com/lido		
LED Lighting	www.national.com/led		
PowerWise	www.national.com/powerwise		
Serial Digital Interface (SDI)	www.national.com/sdi		
Temperature Sensors	www.national.com/tempsensors		
Wireless (PLL/VCO)	www.national.com/wireless		

THE CONTENTS OF THIS DOCUMENT ARE PROVIDED IN CONNECTION WITH NATIONAL SEMICONDUCTOR CORPORATION ("NATIONAL") PRODUCTS. NATIONAL MAKES NO REPRESENTATIONS OR WARRANTIES WITH RESPECT TO THE ACCURACY OR COMPLETENESS OF THE CONTENTS OF THIS PUBLICATION AND RESERVES THE RIGHT TO MAKE CHANGES TO SPECIFICATIONS AND PRODUCT DESCRIPTIONS AT ANY TIME WITHOUT NOTICE. NO LICENSE, WHETHER EXPRESS, IMPLIED, ARISING BY ESTOPPEL OR OTHERWISE, TO ANY INTELLECTUAL PROPERTY RIGHTS IS GRANTED BY THIS DOCUMENT.

TESTING AND OTHER QUALITY CONTROLS ARE USED TO THE EXTENT NATIONAL DEEMS NECESSARY TO SUPPORT NATIONAL'S PRODUCT WARRANTY. EXCEPT WHERE MANDATED BY GOVERNMENT REQUIREMENTS, TESTING OF ALL PARAMETERS OF EACH PRODUCT IS NOT NECESSARILY PERFORMED. NATIONAL ASSUMES NO LIABILITY FOR APPLICATIONS ASSISTANCE OR BUYER PRODUCT DESIGN. BUYERS ARE RESPONSIBLE FOR THEIR PRODUCTS AND APPLICATIONS USING NATIONAL COMPONENTS. PRIOR TO USING OR DISTRIBUTING ANY PRODUCTS THAT INCLUDE NATIONAL COMPONENTS, BUYERS SHOULD PROVIDE ADEQUATE DESIGN, TESTING AND OPERATING SAFEGUARDS.

EXCEPT AS PROVIDED IN NATIONAL'S TERMS AND CONDITIONS OF SALE FOR SUCH PRODUCTS, NATIONAL ASSUMES NO LIABILITY WHATSOEVER, AND NATIONAL DISCLAIMS ANY EXPRESS OR IMPLIED WARRANTY RELATING TO THE SALE AND/OR USE OF NATIONAL PRODUCTS INCLUDING LIABILITY OR WARRANTIES RELATING TO FITNESS FOR A PARTICULAR PURPOSE, MERCHANTABILITY, OR INFRINGEMENT OF ANY PATENT, COPYRIGHT OR OTHER INTELLECTUAL PROPERTY RIGHT.

LIFE SUPPORT POLICY

NATIONAL'S PRODUCTS ARE NOT AUTHORIZED FOR USE AS CRITICAL COMPONENTS IN LIFE SUPPORT DEVICES OR SYSTEMS WITHOUT THE EXPRESS PRIOR WRITTEN APPROVAL OF THE CHIEF EXECUTIVE OFFICER AND GENERAL COUNSEL OF NATIONAL SEMICONDUCTOR CORPORATION. As used herein:

Life support devices or systems are devices which (a) are intended for surgical implant into the body, or (b) support or sustain life and whose failure to perform when properly used in accordance with instructions for use provided in the labeling can be reasonably expected to result in a significant injury to the user. A critical component is any component in a life support device or system whose failure to perform can be reasonably expected to cause the failure of the life support device or system or to affect its safety or effectiveness.

National Semiconductor and the National Semiconductor logo are registered trademarks of National Semiconductor Corporation. All other brand or product names may be trademarks or registered trademarks of their respective holders.

Copyright© 2008 National Semiconductor Corporation

For the most current product information visit us at www.national.com



National Semiconductor Americas Technical Support Center
Email: support@nsc.com
Tel: 1-800-272-9959

National Semiconductor Europe Technical Support Center
Email: europe.support@nsc.com
German Tel: +49 (0) 180 5010 771
English Tel: +44 (0) 870 850 4288

National Semiconductor Asia Pacific Technical Support Center
Email: ap.support@nsc.com

National Semiconductor Japan Technical Support Center
Email: jpn.feedback@nsc.com