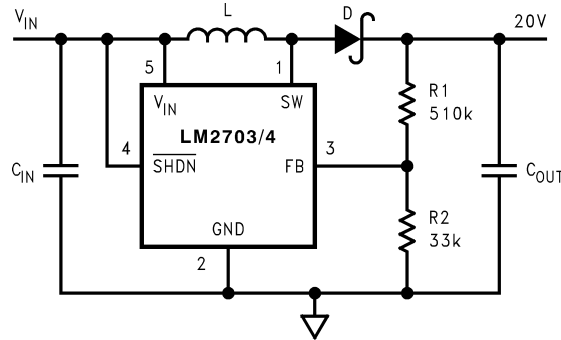


LM2703/LM2704 Evaluation Board

National Semiconductor
Application Note 1277
March 2003



LM2703/4 Evaluation Board



20067401

Bill of Materials

Components	LM2703	LM2704
L	10 μ H, DT1608C-103, Coilcraft	10 μ H, DO1608C-103, Coilcraft
C _{IN}	4.7 μ F, 10V Ceramic LMK316BJ475ML, Taiyo-Yuden	4.7 μ F, 10V Ceramic LMK316BJ475ML, Taiyo-Yuden
C _{OUT}	1 μ F, 25V Ceramic GMK316BJ105L, Taiyo-Yuden	4.7 μ F, 25V Ceramic MK325BJ475MN, Taiyo-Yuden
D	MBRM130LT3, ON Semi	MBRM130LT3, ON Semi

LIFE SUPPORT POLICY

NATIONAL'S PRODUCTS ARE NOT AUTHORIZED FOR USE AS CRITICAL COMPONENTS IN LIFE SUPPORT DEVICES OR SYSTEMS WITHOUT THE EXPRESS WRITTEN APPROVAL OF THE PRESIDENT AND GENERAL COUNSEL OF NATIONAL SEMICONDUCTOR CORPORATION. As used herein:

1. Life support devices or systems are devices or systems which, (a) are intended for surgical implant into the body, or (b) support or sustain life, and whose failure to perform when properly used in accordance with instructions for use provided in the labeling, can be reasonably expected to result in a significant injury to the user.
2. A critical component is any component of a life support device or system whose failure to perform can be reasonably expected to cause the failure of the life support device or system, or to affect its safety or effectiveness.

**National Semiconductor
Americas Customer
Support Center**
Email: new.feedback@nsc.com
Tel: 1-800-272-9959

www.national.com

**National Semiconductor
Europe Customer Support Center**
Fax: +49 (0) 180-530 85 86
Email: europe.support@nsc.com
Deutsch Tel: +49 (0) 69 9508 6208
English Tel: +44 (0) 870 24 0 2171
Français Tel: +33 (0) 1 41 91 8790

**National Semiconductor
Asia Pacific Customer
Support Center**
Fax: +65-6250 4466
Email: ap.support@nsc.com
Tel: +65-6254 4466

**National Semiconductor
Japan Customer Support Center**
Fax: 81-3-5639-7507
Email: jpn.feedback@nsc.com
Tel: 81-3-5639-7560