

# LM2853 Evaluation Board

National Semiconductor  
Application Note 1513  
Jeff Kissinger  
October 2006



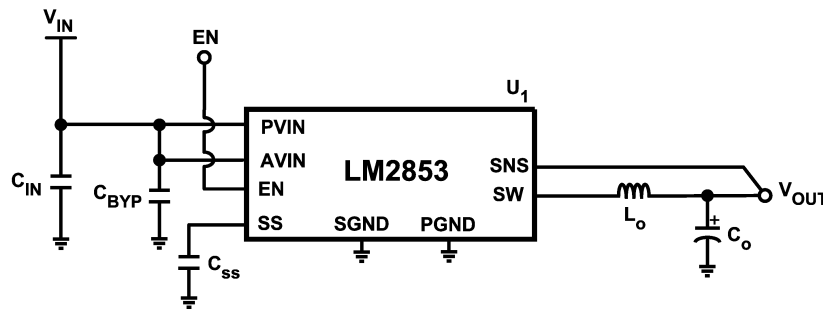
## Introduction

The LM2853 synchronous SIMPLE SWITCHER® buck regulator is a synchronous switching regulator capable of delivering up to 3A of current into a load. The LM2853 represents the ultimate in ease of use, as internal type-3 compensation minimizes the necessary external components and eases the selection of those components. The LM2853 is capable of accepting an input voltage between 3.0V and 5.5V and delivering an output voltage that is factory programmable from 0.8V to 3.3V in 100mV increments. The nominal switching frequency of the LM2853 is 550 kHz.

The LM2853 Evaluation Board was designed to accommodate three standard output voltage options (1.2V/1.8V/3.3V)

using the same layout and external components. Just five external components are included on the board, and the entire 3A power supply occupies a minimum amount of space (1.2" by 0.82") on a two layer PCB without sacrificing efficiency or performance. The input voltage can be varied over the entire operating range of the LM2853 (3.0V to 5.5V) for testing purposes. Also, the board is designed to be stable with all standard LM2853 voltage options, so if another voltage option needs to be tested, the LM2853 IC can be removed and replaced with the desired option.

## Schematic

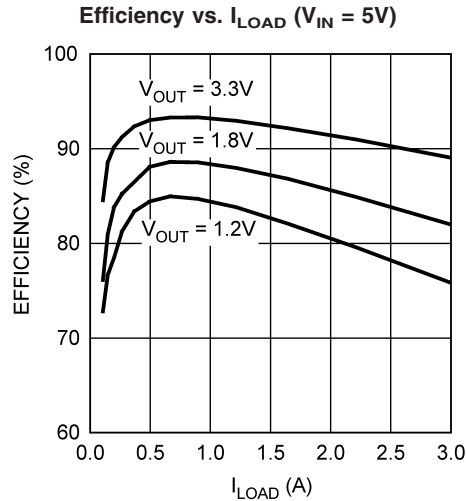


20201803

## Bill Of Material

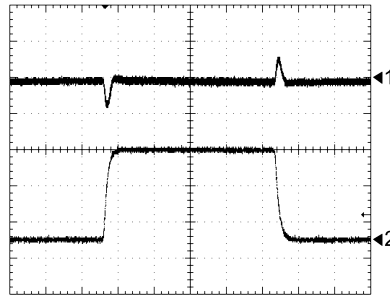
ID	Part Number	Type	Size	Parameters	QTY	Vendor
U1	LM2853MH-x.x/NOPB	3A Buck	ETSSOP-14	x.xV	1	NSC
C <sub>IN</sub>	GRM31CR60J476ME19	Capacitor	1206	47 $\mu$ F	1	Murata
C <sub>BYP</sub>	GRM21BR71C105KA01	Capacitor	0805	1 $\mu$ F	1	Murata
C <sub>SS</sub>	VJ0805Y222KXXA	Capacitor	0603	2.2 nF	1	Vishay-Vitramon
L <sub>O</sub>	DO3316P-472	Inductor	DO3316P	4.7 $\mu$ H	1	Coilcraft
C <sub>O</sub>	TPSD227X06R0050	Capacitor	D Case	220 $\mu$ F (50 m $\Omega$ )	1	Vishay-Sprague

## Performance



20201802

### 0.5A to 3A Load Step Response ( $V_{IN} = 5V$ , $V_{OUT} = 1.8V$ )



20201805

Horizontal Resolution: 200  $\mu$ s/Div.  
 Trace 1:  $V_{OUT}$  (100 mV/Div.)  
 Trace 2:  $I_{LOAD}$  (1 A /Div.)

## Component Selection

### $C_{IN}$ and $C_{BYP}$

The necessary RMS current rating of the input capacitor can be estimated by the following equation:

$$I_{RMS} = I_{LOAD} \sqrt{D(1-D)}$$

where the variable D refers to the duty cycle, and can be approximated by:

$$D = \frac{V_{OUT}}{V_{IN}}$$

From this equation, it follows that the maximum  $I_{RMS}$  will occur at a full 3A load current with the system operating at 50% duty cycle. Under this condition, the maximum  $I_{RMS}$  is given by:

$$I_{RMS} = 3A \sqrt{0.5 \times 0.5} = 1.5A$$

Ceramic capacitors feature a very large  $I_{RMS}$  rating in a small footprint, making a ceramic capacitor ideal for this application. A 47  $\mu$ F ceramic capacitor from Murata with a 4.9A  $I_{RMS}$  rating provides the necessary input capacitance for the evaluation board. For improved load regulation and transient performance, an extra 1  $\mu$ F ceramic capacitor is placed near to the AVIN pin from  $V_{IN}$  to GND. This small capacitor helps to filter high frequency noise pulses on the supply, and prevent those pulses from disturbing the analog control circuitry of the chip.

### $C_{SS}$

The soft-start capacitor has been chosen to provide a soft-start time of roughly 3 ms. Using the internal soft-start resistance of 450 k $\Omega$  and the external soft-start capacitor value of 2.2 nF, the approximate soft-start time can be calculated as follows:

$$T_{SS} = 3 \times C_{SS} \times R_{SS} = 3 \times 2.2 \text{ nF} \times 450 \text{ k}\Omega = 2.97 \text{ ms} \approx 3 \text{ ms}$$

A 3 ms soft-start time will allow the LM2853 to start up gracefully without triggering over-current protection, regardless of the operating conditions.

## Component Selection (Continued)

### $L_O$ and $C_O$

The selection of the output filter components  $L_O$  and  $C_O$ , are intrinsically linked, as both of these parameters affect the stability of the system, and various characteristics of the output voltage. First, a 4.7  $\mu\text{H}$  inductor is chosen to allow stable operation over the entire input voltage range (as per the datasheet recommendations) from 3.0V to 5.5V. The size of the inductor also directly affects the amplitude of the inductor current ripple. This amplitude can be calculated from the following equation:

$$\Delta I_L = \frac{D \times (V_{IN} - V_{OUT})}{f_{SW} \times L_O}$$

From this, it follows that the maximum inductor current ripple using standard operating conditions of the LM2853 and a 4.7  $\mu\text{H}$  inductor will occur at  $V_{IN} = 5.5\text{V}$ , and  $V_{OUT} = 2.5\text{V}$ . Under these conditions the inductor current ripple is given as:

$$\Delta I_L = \left( \frac{2.5\text{V}}{5.5\text{V}} \right) \frac{(5.5\text{V} - 2.5\text{V})}{550 \text{ kHz} \times 4.7 \mu\text{H}} = 0.528\text{A}$$

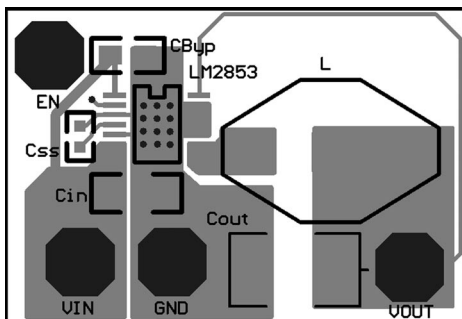
This means an inductor must be selected with a saturation current higher than 3.264A to ensure that the inductor will never saturate during normal operating conditions. A Coilcraft DO3316P, 4.7  $\mu\text{H}$  inductor provides the necessary current handling capabilities ( $I_{SAT} = 5.4\text{A}$ ) in a relatively small footprint.

The ESR of the output capacitor affects both the ripple voltage at the output and the overall stability of the loop. In order to keep the output voltage ripple manageable under all operating conditions, an ESR value of 50 m $\Omega$  is selected. As per the datasheet recommendations, a capacitance of 220  $\mu\text{F}$  will guarantee stability regardless of  $V_{IN}$  and  $V_{OUT}$  when coupled with 4.7  $\mu\text{H}$  inductor and 50 m $\Omega$  ESR. An AVX low-ESR 6.3V tantalum capacitor provides the necessary ESR and capacitance to stabilize the loop and control the output voltage ripple, with suitable voltage derating for up to a 3.3V output.

## PCB Layout

The PCB layout of the LM2853 demo board was designed to occupy as little board space as possible, while still following sound layout guidelines and techniques. The input capacitor,  $C_{IN}$  is placed as close as possible to the PVIN pins and the PGND pins, to minimize stray resistance and inductance between  $C_{IN}$  and the LM2853. Likewise, the AVIN bypass capacitor is placed as close as possible to the AVIN and SGND pins. PGND and SGND are connected to each other and the ground plane at a single point, the exposed pad of the LM2853. Also, in order to help conduct heat to the ground plane and away from the LM2853, an array of vias is used to connect the exposed pad to the ground plane, instead of a single via. Finally, the sense pin trace is intentionally routed away from the SW node to minimize any EMI pickup.

Top Layer (not to scale)



20201804

Bottom Layer (not to scale)



20201801

## Notes

THE CONTENTS OF THIS DOCUMENT ARE PROVIDED IN CONNECTION WITH NATIONAL SEMICONDUCTOR CORPORATION ("NATIONAL") PRODUCTS. NATIONAL MAKES NO REPRESENTATIONS OR WARRANTIES WITH RESPECT TO THE ACCURACY OR COMPLETENESS OF THE CONTENTS OF THIS PUBLICATION AND RESERVES THE RIGHT TO MAKE CHANGES TO SPECIFICATIONS AND PRODUCT DESCRIPTIONS AT ANY TIME WITHOUT NOTICE. NO LICENSE, WHETHER EXPRESS, IMPLIED, ARISING BY ESTOPPEL OR OTHERWISE, TO ANY INTELLECTUAL PROPERTY RIGHTS IS GRANTED BY THIS DOCUMENT.

TESTING AND OTHER QUALITY CONTROLS ARE USED TO THE EXTENT NATIONAL DEEMS NECESSARY TO SUPPORT NATIONAL'S PRODUCT WARRANTY. EXCEPT WHERE MANDATED BY GOVERNMENT REQUIREMENTS, TESTING OF ALL PARAMETERS OF EACH PRODUCT IS NOT NECESSARILY PERFORMED. NATIONAL ASSUMES NO LIABILITY FOR APPLICATIONS ASSISTANCE OR BUYER PRODUCT DESIGN. BUYERS ARE RESPONSIBLE FOR THEIR PRODUCTS AND APPLICATIONS USING NATIONAL COMPONENTS. PRIOR TO USING OR DISTRIBUTING ANY PRODUCTS THAT INCLUDE NATIONAL COMPONENTS, BUYERS SHOULD PROVIDE ADEQUATE DESIGN, TESTING AND OPERATING SAFEGUARDS.

EXCEPT AS PROVIDED IN NATIONAL'S TERMS AND CONDITIONS OF SALE FOR SUCH PRODUCTS, NATIONAL ASSUMES NO LIABILITY WHATSOEVER, AND NATIONAL DISCLAIMS ANY EXPRESS OR IMPLIED WARRANTY RELATING TO THE SALE AND/OR USE OF NATIONAL PRODUCTS INCLUDING LIABILITY OR WARRANTIES RELATING TO FITNESS FOR A PARTICULAR PURPOSE, MERCHANTABILITY, OR INFRINGEMENT OF ANY PATENT, COPYRIGHT OR OTHER INTELLECTUAL PROPERTY RIGHT.

### LIFE SUPPORT POLICY

**NATIONAL'S PRODUCTS ARE NOT AUTHORIZED FOR USE AS CRITICAL COMPONENTS IN LIFE SUPPORT DEVICES OR SYSTEMS WITHOUT THE EXPRESS PRIOR WRITTEN APPROVAL OF THE CHIEF EXECUTIVE OFFICER AND GENERAL COUNSEL OF NATIONAL SEMICONDUCTOR CORPORATION.** As used herein:

Life support devices or systems are devices which (a) are intended for surgical implant into the body, or (b) support or sustain life and whose failure to perform when properly used in accordance with instructions for use provided in the labeling can be reasonably expected to result in a significant injury to the user. A critical component is any component in a life support device or system whose failure to perform can be reasonably expected to cause the failure of the life support device or system or to affect its safety or effectiveness.

National Semiconductor and the National Semiconductor logo are trademarks or registered trademarks of National Semiconductor Corporation. All other brand or product names may be trademarks or registered trademarks of their respective holders.

Copyright © 2006 National Semiconductor Corporation.

For the most current product information visit us at [www.national.com](http://www.national.com).



**National Semiconductor**  
Americas Customer  
Support Center  
Email: [new.feedback@nsc.com](mailto:new.feedback@nsc.com)  
Tel: 1-800-272-9959

[www.national.com](http://www.national.com)

**National Semiconductor**  
Europe Customer Support Center  
Fax: +49 (0) 180-530 85 86  
Email: [europa.support@nsc.com](mailto:europa.support@nsc.com)  
Deutsch Tel: +49 (0) 69 9508 6208  
English Tel: +44 (0) 870 24 0 2171  
Français Tel: +33 (0) 1 41 91 8790

**National Semiconductor**  
Asia Pacific Customer  
Support Center  
Email: [ap.support@nsc.com](mailto:ap.support@nsc.com)

**National Semiconductor**  
Japan Customer Support Center  
Fax: 81-3-5639-7507  
Email: [jpn.feedback@nsc.com](mailto:jpn.feedback@nsc.com)  
Tel: 81-3-5639-7560