

LMZ12003 3A Demo Board SIMPLE SWITCHER® Power Module Quick Start Guide

National Semiconductor
Application Note 2031
Alan Martin
October 12, 2010



Description

The LMZ12003 SIMPLE SWITCHER power module is a complete, easy to use step-down DC-DC solution capable of driving up to 3A load. The LMZ12003 is available in an innovative, easy to use package that enhances thermal performance and allows for hand or machine soldering.

The LMZ12003 demo board can accept an input voltage rail between 4.5V and 20V and deliver an adjustable and highly accurate output voltage as low as 0.8V. The LMZ12003 only requires three external resistors and four external capacitors to complete the power solution. The LMZ12003 is a reliable and robust solution with the following protection features: thermal shutdown, input under-voltage lockout, output over-voltage protection, short-circuit protection, output current limit, and allows startup into a pre-biased output. A single resistor adjusts switching frequency up to 1 MHz.

Packaging Highlights

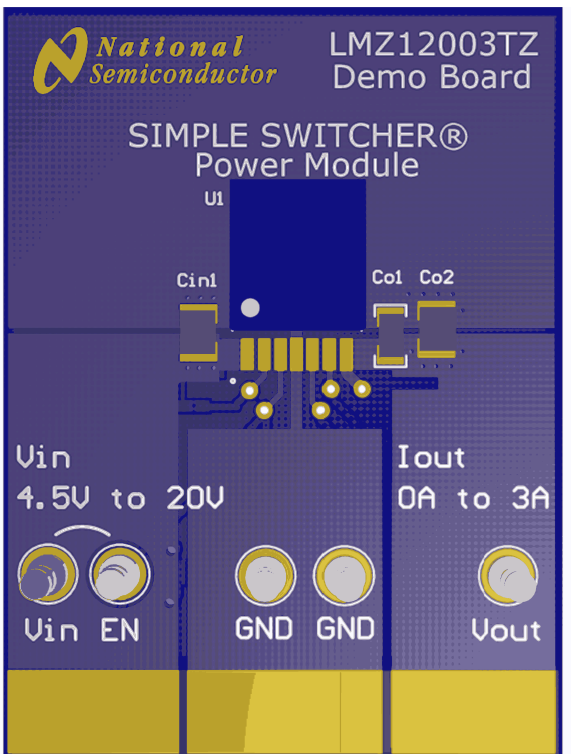
- 7 lead module package (Similar to TO-263)
- Single exposed die attach pad for enhanced thermal performance
- 10.2 x 13.8 x 4.6 mm module package
- High power density
- 1.7" x 2.3" reduced size demo board form factor

Demo Board Features

- Power input voltage range 4.5V-20V
- UVLO programmed at 4.5V
- Adjustable output voltage range 0.8V to 6V
- Up to 3A output current
- Integrated shielded inductor in module
- Efficiency up to 92%
- All ceramic capacitor design
- No loop compensation required
- Starts into pre-biased loads
- Short circuit protection
- Thermal Shutdown
- Only 9 external passives plus module
- 2 layer low cost assembly

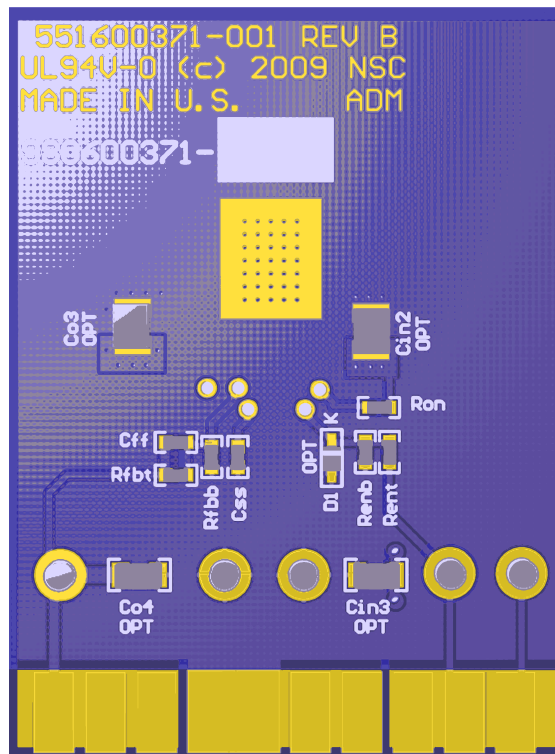
Typical Applications

- Point of load conversions from 5V and 12V input rails
- Space constrained applications
- Industrial controls
- Telecom
- Networking equipment



Front View

30114301



Back View

30114302

Absolute Maximum Module Ratings

VIN, RON to GND	-0.3V to 25V
EN, FB, SS to GND	-0.3V to 7V

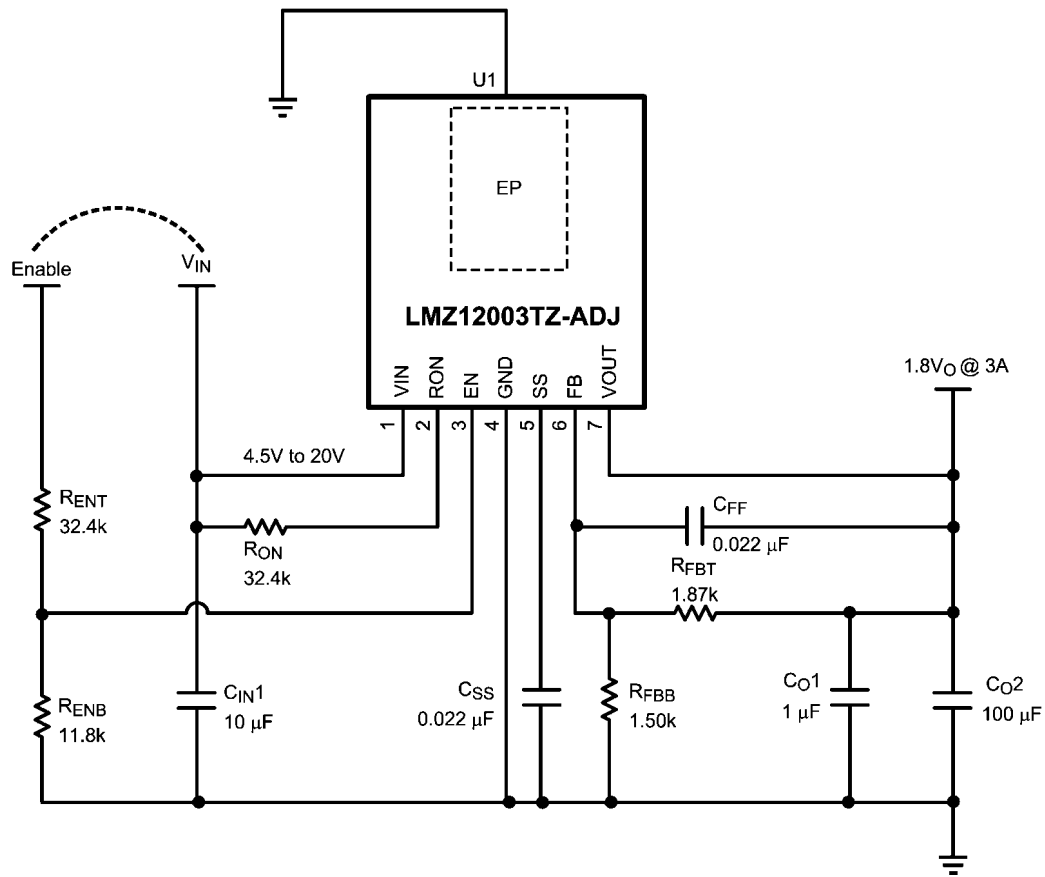
Module Operating Ratings

VIN	4.5V to 20V
EN (Input on pin 3 module pin)	0V to 6.5V
Junction Temperature Range (Tj)	- 40C to +125C

Demo Board Operating Ratings

VIN	4.5V to 20V
VOUT (Default setting)	1.8V
IOUT	0A to 3A
EN (Input on demo board post)	0V to 20V
UVLO setting on ENable input	4.5V
Soft-start time	2.2 mSec
Operating Temperature Range (Tj)	- 40C to +70C (at full 3A load)

Demo Board Schematic



30114303

Demo Board Bill of Materials

Ref Des	Description	Case	Manufacturer Part Number
Ron	32.4 kohm 1% resistor	603	
Rent	32.4 kohm 1% resistor	603	
Renb	11.8 kohm 1% resistor	603	
Rfbt	1.87 kohm 1% resistor	603	
Rfbb	1.50 kohm 1% resistor	603	
Cff	0.022 uF 50V X7R ceramic capacitor	603	
Css	0.022 uF 50V X7R ceramic capacitor	603	
Cin	10 uF 50V X5R ceramic capacitor	1210	UMK325BJ106M M-T
Cout1	1.0 uF 50V X7R ceramic capacitor	1206	UMK316B7105KL -T
Cout2	100 uF 6.3V X5R ceramic capacitor	1210	JMK325BJ107M M-T
U1	LMZ12003 SIMPLE SWITCHER Power Module	TO-PMOD	LMZ12003TZ-ADJ

Alternate resistor values for alternative output voltages			
VOUT	RFBT	RFBB	RON
6	2.49k	383 ohm	124k
5	5.62k	1.07k	100k
3.3	3.32k	1.07k	61.9k
2.5	2.26k	1.07k	47.5k
1.8	1.87k	1.50k	32.4k
1.5	1.00k	1.13k	28.0k
1.2	4.22k	8.45k	22.6k
0.8	0.0K	39.2k	24.9k

Demo Board Hookup

VOUT Connect the load to VOUT and one of the GND posts. The module can source up to a 3A load current.

Connect Vin to a positive voltage in the 4.5 to 20V range. Connect the negative terminal of the source supply to one of the posts labeled GND.

The Enable input post is configured for direct connection to the Vin post. With the chosen resistor values this results in an under voltage lockout level of 4.5V input. The top enable resistor is RENT (aka REN1) and the bottom enable resistor is RENB (aka REN2).

If the Enable post is disconnected, the module will be disabled and about 20 uA of supply current will flow from Vin to ground while in the disabled mode. With the enable input connected to Vin via the resistor divider there will be about 1.5 mA of no-

load quiescent current into the Vin input. Additional current flows into the enable divider string.

Demo Board Passive Components

Soft-start capacitor The soft-start capacitor controls the rise time of the output voltage when power is first applied and following the clearing of a fault mode.

Feedback divider Regulator output voltage is programmed through the selection of the two resistors. RFBT (aka RFB1) and RFB (aka RFB2) A feed forward capacitor (CFF) is located in parallel with the upper feedback divider resistor. This capacitor improves the step response to abrupt changes in load current. Refer to the table above when modifying the board for a different output voltage. Resistor values shown will minimize error in output voltage setting.

RON Resistor: The primary function of the RON resistor is to set the On-Time interval of the internal control section switch-

ing cycle. The secondary function of the RON resistor is to create a nearly constant operating frequency over the input operating voltage range. If the output voltage of the regulator is changed by adjusting the feedback divider then it is generally required that the RON resistor value also be changed in order to maintain the same operating frequency.

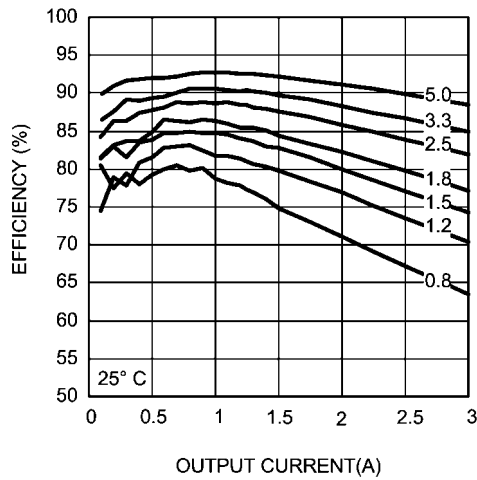
Cout A parallel connection of a 1uF 50V and a 100uF 6.3V multilayer ceramic are used for the output capacitor. Loca-

tions are provided on the PCB assembly for experimenting with additional output capacitors..

CinA 10 uF 50V multilayer ceramic is connected as the input filter. Locations are provided on the PCB assembly for experimenting with additional input capacitors.

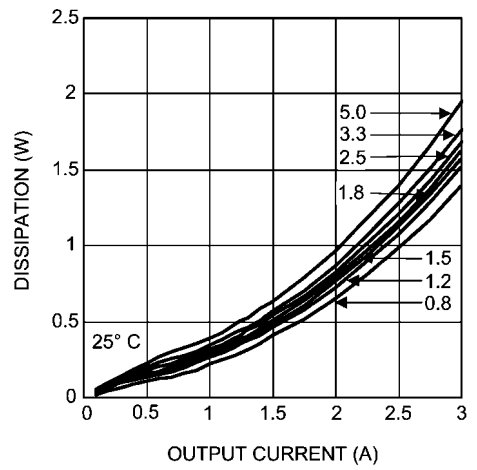
Performance Characteristics

Efficiency, 12 V Input @ 25°C



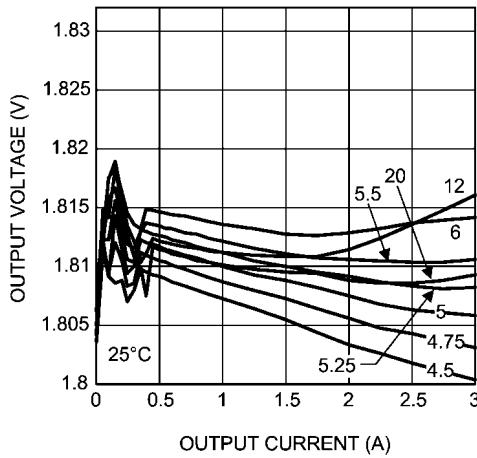
30114304

Dissipation, 12 V Input @ 25°C



30114305

Line and Load Regulation @ 25°C



30114306

Notes

AN-2031

Notes

For more National Semiconductor product information and proven design tools, visit the following Web sites at:
www.national.com

Products		Design Support	
Amplifiers	www.national.com/amplifiers	WEBENCH® Tools	www.national.com/webench
Audio	www.national.com/audio	App Notes	www.national.com/appnotes
Clock and Timing	www.national.com/timing	Reference Designs	www.national.com/refdesigns
Data Converters	www.national.com/adc	Samples	www.national.com/samples
Interface	www.national.com/interface	Eval Boards	www.national.com/evalboards
LVDS	www.national.com/lvds	Packaging	www.national.com/packaging
Power Management	www.national.com/power	Green Compliance	www.national.com/quality/green
Switching Regulators	www.national.com/switchers	Distributors	www.national.com/contacts
LDOs	www.national.com/lido	Quality and Reliability	www.national.com/quality
LED Lighting	www.national.com/led	Feedback/Support	www.national.com/feedback
Voltage References	www.national.com/vref	Design Made Easy	www.national.com/easy
PowerWise® Solutions	www.national.com/powerwise	Applications & Markets	www.national.com/solutions
Serial Digital Interface (SDI)	www.national.com/sdi	Mil/Aero	www.national.com/milaero
Temperature Sensors	www.national.com/tempensors	SolarMagic™	www.national.com/solarmagic
PLL/VCO	www.national.com/wireless	PowerWise® Design University	www.national.com/training

THE CONTENTS OF THIS DOCUMENT ARE PROVIDED IN CONNECTION WITH NATIONAL SEMICONDUCTOR CORPORATION ("NATIONAL") PRODUCTS. NATIONAL MAKES NO REPRESENTATIONS OR WARRANTIES WITH RESPECT TO THE ACCURACY OR COMPLETENESS OF THE CONTENTS OF THIS PUBLICATION AND RESERVES THE RIGHT TO MAKE CHANGES TO SPECIFICATIONS AND PRODUCT DESCRIPTIONS AT ANY TIME WITHOUT NOTICE. NO LICENSE, WHETHER EXPRESS, IMPLIED, ARISING BY ESTOPPEL OR OTHERWISE, TO ANY INTELLECTUAL PROPERTY RIGHTS IS GRANTED BY THIS DOCUMENT.

TESTING AND OTHER QUALITY CONTROLS ARE USED TO THE EXTENT NATIONAL DEEMS NECESSARY TO SUPPORT NATIONAL'S PRODUCT WARRANTY. EXCEPT WHERE MANDATED BY GOVERNMENT REQUIREMENTS, TESTING OF ALL PARAMETERS OF EACH PRODUCT IS NOT NECESSARILY PERFORMED. NATIONAL ASSUMES NO LIABILITY FOR APPLICATIONS ASSISTANCE OR BUYER PRODUCT DESIGN. BUYERS ARE RESPONSIBLE FOR THEIR PRODUCTS AND APPLICATIONS USING NATIONAL COMPONENTS. PRIOR TO USING OR DISTRIBUTING ANY PRODUCTS THAT INCLUDE NATIONAL COMPONENTS, BUYERS SHOULD PROVIDE ADEQUATE DESIGN, TESTING AND OPERATING SAFEGUARDS.

EXCEPT AS PROVIDED IN NATIONAL'S TERMS AND CONDITIONS OF SALE FOR SUCH PRODUCTS, NATIONAL ASSUMES NO LIABILITY WHATSOEVER, AND NATIONAL DISCLAIMS ANY EXPRESS OR IMPLIED WARRANTY RELATING TO THE SALE AND/OR USE OF NATIONAL PRODUCTS INCLUDING LIABILITY OR WARRANTIES RELATING TO FITNESS FOR A PARTICULAR PURPOSE, MERCHANTABILITY, OR INFRINGEMENT OF ANY PATENT, COPYRIGHT OR OTHER INTELLECTUAL PROPERTY RIGHT.

LIFE SUPPORT POLICY

NATIONAL'S PRODUCTS ARE NOT AUTHORIZED FOR USE AS CRITICAL COMPONENTS IN LIFE SUPPORT DEVICES OR SYSTEMS WITHOUT THE EXPRESS PRIOR WRITTEN APPROVAL OF THE CHIEF EXECUTIVE OFFICER AND GENERAL COUNSEL OF NATIONAL SEMICONDUCTOR CORPORATION. As used herein:

Life support devices or systems are devices which (a) are intended for surgical implant into the body, or (b) support or sustain life and whose failure to perform when properly used in accordance with instructions for use provided in the labeling can be reasonably expected to result in a significant injury to the user. A critical component is any component in a life support device or system whose failure to perform can be reasonably expected to cause the failure of the life support device or system or to affect its safety or effectiveness.

National Semiconductor and the National Semiconductor logo are registered trademarks of National Semiconductor Corporation. All other brand or product names may be trademarks or registered trademarks of their respective holders.

Copyright© 2010 National Semiconductor Corporation

For the most current product information visit us at www.national.com



National Semiconductor Americas Technical Support Center
 Email: support@nsc.com
 Tel: 1-800-272-9959

National Semiconductor Europe Technical Support Center
 Email: europe.support@nsc.com

National Semiconductor Asia Pacific Technical Support Center
 Email: ap.support@nsc.com

National Semiconductor Japan Technical Support Center
 Email: jpn.feedback@nsc.com