



STEVAL-ISA010V1

Ultra wide range dual output back converter demonstration board based on the VIPER16

Data brief

Features

- Input voltage V_{in} : 85 - 500 VAC (f: 45 - 66 Hz)
- Output voltages:
 - $V1 = 12\text{ V} \pm 10\%$
 - $V2 = 5\text{ V} \pm 4\%$
- Output current: 150 mA total (5 V and 12 V output) output current for full input voltage range
- Standby: 96 mW at 230 VAC
- Short-circuit protection
- PCB type and size:
 - FR4, single side 70 μm
 - dim.: 27 x 45 mm
- Isolation: non isolated - N connected to output GND
- EMI: In accordance with EN55022 - class B
- EMC: surge - IEC 61000-4-5 - 2 kV
- EMC: burst - IEC 61000-4-4 - 8 kV
- RoHS compliant

Description

This demonstration board based on VIPER16 is designed as an example of a simple non-isolated auxiliary power supply for a range of input voltages from 85 VAC to 500 VAC.

There is an ever-increasing demand for small power supplies capable of working without voltage range limitations, even at nominal levels of 400 VAC and 415 VAC, respectively. The real voltage level can reach 500 VAC (415 V + 20%).

The major markets for this type of SMPS are home appliances and metering.

The VIPER16 device includes an 800 V rugged power switch, a PWM controller, programmable overcurrent, overvoltage, overload, a hysteretic thermal protection, soft-start and safe auto-restart



after any fault condition removal. Burst mode operation at light load combined with the very low consumption of the device helps to meet standby energy-saving regulations.

The significant benefit of this new chip derives from the jitter of the switching frequency and the possibility to supply the chip directly from the DC HV bus, so auxiliary supply is not mandatory.

The VIPER16 is suitable for flyback or buck topologies and thanks to an internal self-supply circuit it does not require an auxiliary supply.

1 Circuit schematic and PCB layout

Figure 1. Schematic diagram

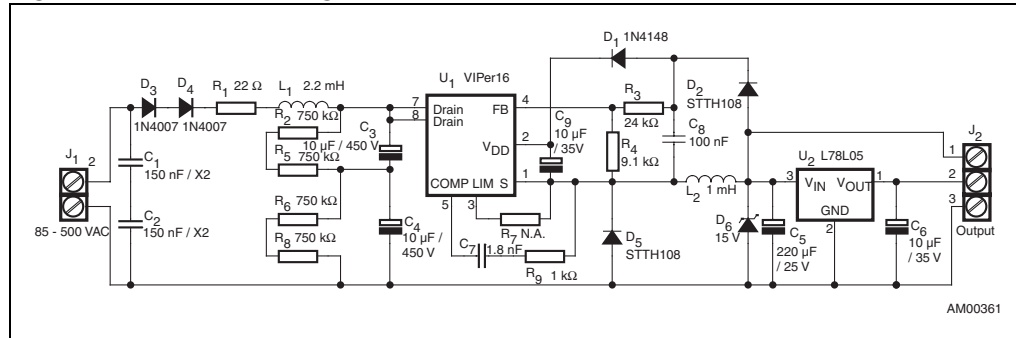
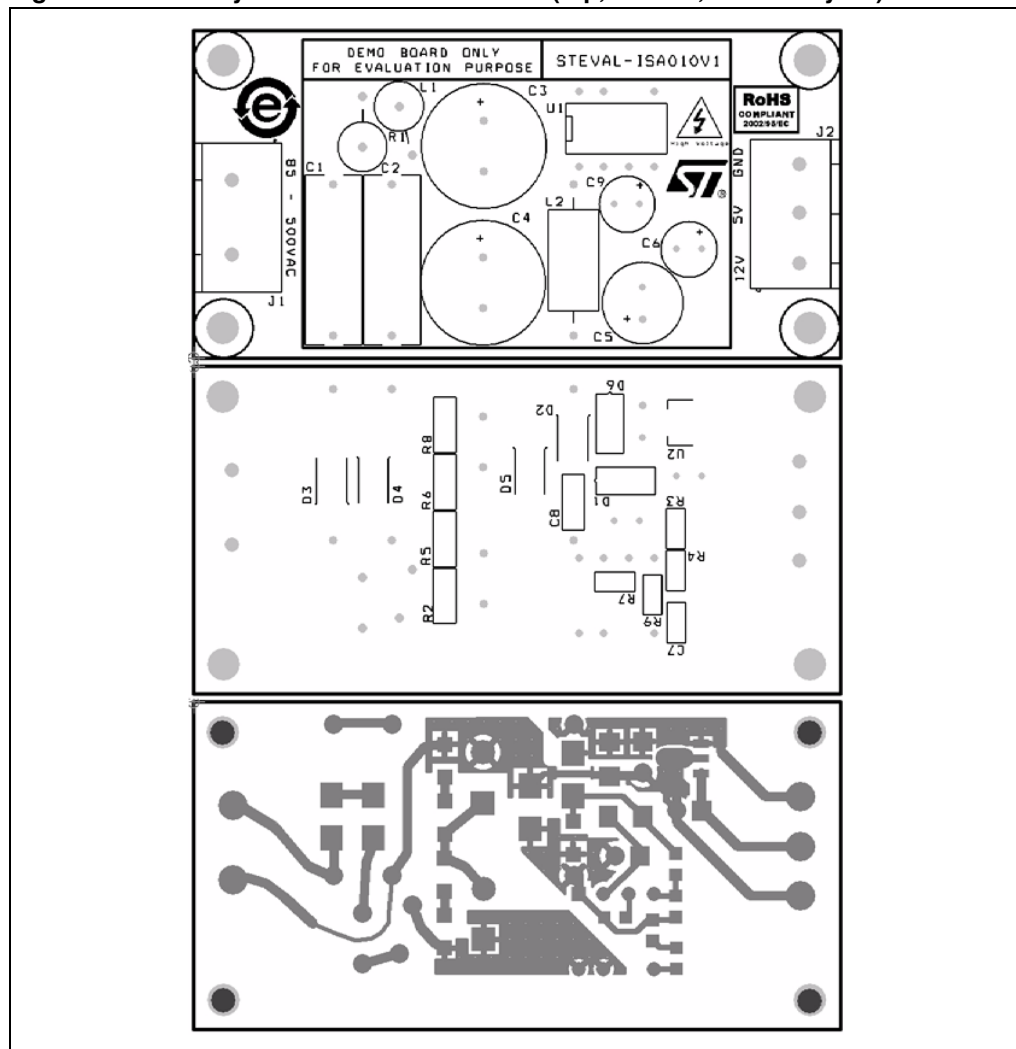


Figure 2. PCB layout of the buck converter (top, bottom, bottom layout)



2 Revision history

Table 1. Document revision history

Date	Revision	Changes
06-May-2009	1	Initial release.

Please Read Carefully:

Information in this document is provided solely in connection with ST products. STMicroelectronics NV and its subsidiaries ("ST") reserve the right to make changes, corrections, modifications or improvements, to this document, and the products and services described herein at any time, without notice.

All ST products are sold pursuant to ST's terms and conditions of sale.

Purchasers are solely responsible for the choice, selection and use of the ST products and services described herein, and ST assumes no liability whatsoever relating to the choice, selection or use of the ST products and services described herein.

No license, express or implied, by estoppel or otherwise, to any intellectual property rights is granted under this document. If any part of this document refers to any third party products or services it shall not be deemed a license grant by ST for the use of such third party products or services, or any intellectual property contained therein or considered as a warranty covering the use in any manner whatsoever of such third party products or services or any intellectual property contained therein.

UNLESS OTHERWISE SET FORTH IN ST'S TERMS AND CONDITIONS OF SALE ST DISCLAIMS ANY EXPRESS OR IMPLIED WARRANTY WITH RESPECT TO THE USE AND/OR SALE OF ST PRODUCTS INCLUDING WITHOUT LIMITATION IMPLIED WARRANTIES OF MERCHANTABILITY, FITNESS FOR A PARTICULAR PURPOSE (AND THEIR EQUIVALENTS UNDER THE LAWS OF ANY JURISDICTION), OR INFRINGEMENT OF ANY PATENT, COPYRIGHT OR OTHER INTELLECTUAL PROPERTY RIGHT.

UNLESS EXPRESSLY APPROVED IN WRITING BY AN AUTHORIZED ST REPRESENTATIVE, ST PRODUCTS ARE NOT RECOMMENDED, AUTHORIZED OR WARRANTED FOR USE IN MILITARY, AIR CRAFT, SPACE, LIFE SAVING, OR LIFE SUSTAINING APPLICATIONS, NOR IN PRODUCTS OR SYSTEMS WHERE FAILURE OR MALFUNCTION MAY RESULT IN PERSONAL INJURY, DEATH, OR SEVERE PROPERTY OR ENVIRONMENTAL DAMAGE. ST PRODUCTS WHICH ARE NOT SPECIFIED AS "AUTOMOTIVE GRADE" MAY ONLY BE USED IN AUTOMOTIVE APPLICATIONS AT USER'S OWN RISK.

Resale of ST products with provisions different from the statements and/or technical features set forth in this document shall immediately void any warranty granted by ST for the ST product or service described herein and shall not create or extend in any manner whatsoever, any liability of ST.

ST and the ST logo are trademarks or registered trademarks of ST in various countries.

Information in this document supersedes and replaces all information previously supplied.

The ST logo is a registered trademark of STMicroelectronics. All other names are the property of their respective owners.

© 2009 STMicroelectronics - All rights reserved

STMicroelectronics group of companies

Australia - Belgium - Brazil - Canada - China - Czech Republic - Finland - France - Germany - Hong Kong - India - Israel - Italy - Japan - Malaysia - Malta - Morocco - Philippines - Singapore - Spain - Sweden - Switzerland - United Kingdom - United States of America

www.st.com