



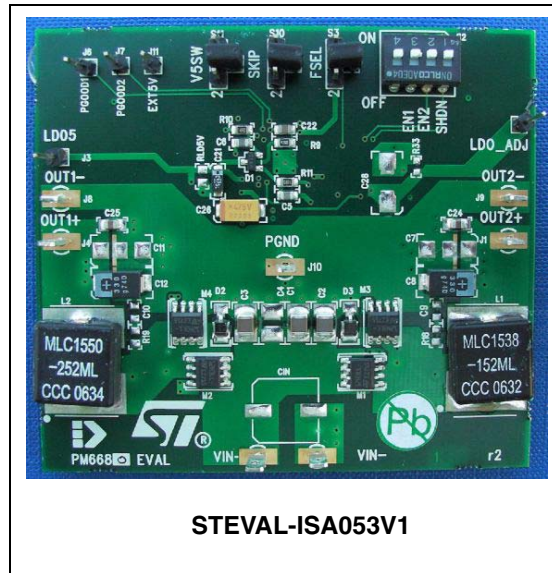
STEVAL-ISA053V1

Demonstration board for the PM6680 dual step-down controller with adjustable output voltage for notebook power system

Data Brief

Features

- Constant on-time control allows very fast load transients
- 6 V to 28 V input voltage range
- 5 V auxiliary output voltage
- Accurate current limit with sense resistor
- Adjustable switching outputs
- Lossless current sensing
- Negative current limit
- Soft-start internally fixed at 2.8 ms
- Soft-end for output discharge
- 200 kHz / 300 kHz, 300 kHz / 400 kHz, 400 kHz / 500 kHz (5 V / 3 V selectable switching frequency)
- Selectable pulse skip and no-audible skip modes at light loads
- Independent Power Good signals

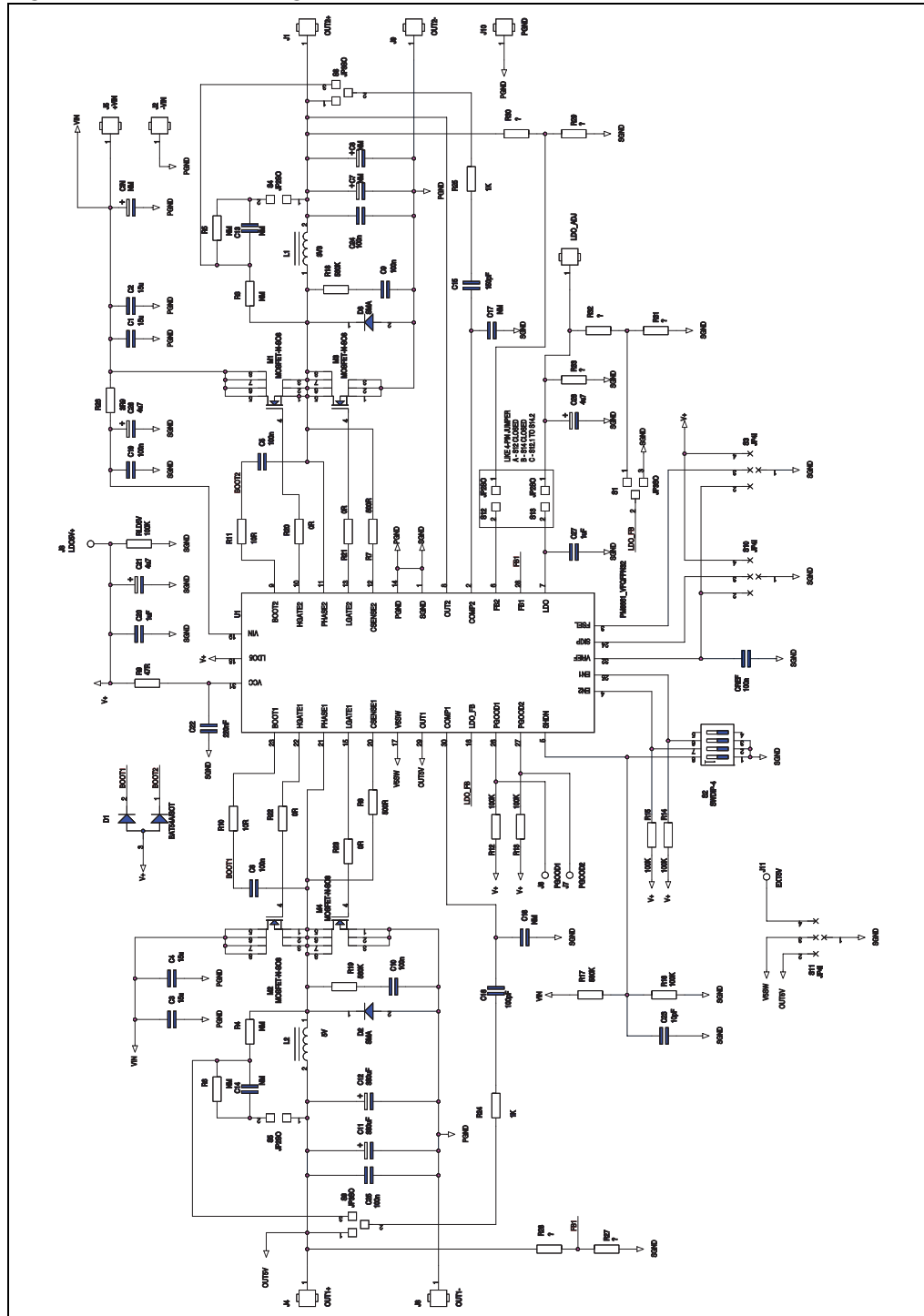


Description

The PM6680 is a dual step-down controller with adjustable output voltages for notebook computer power systems. The STEVAL-ISA053V1 demonstration board is designed to test the performance of the PM6680 by employing a typical application circuit which allows testing of all PM6680 device functions. The board features two switching sections, with (typically) 1.5 V and 1.05 V outputs, from a 6 V to 28 V input battery voltage. The operating switching frequency of the two switching sections is 200 kHz / 300 kHz, respectively. Each switching section delivers more than 5 A of output current. Moreover, an internal linear regulator can provide 5 V @ 100 mA peak current.

1 Circuit schematic

Figure 1. Schematic diagram



2 Revision history

Table 1. Document revision history

Date	Revision	Changes
29-Sep-2008	1	Initial release.

Please Read Carefully:

Information in this document is provided solely in connection with ST products. STMicroelectronics NV and its subsidiaries ("ST") reserve the right to make changes, corrections, modifications or improvements, to this document, and the products and services described herein at any time, without notice.

All ST products are sold pursuant to ST's terms and conditions of sale.

Purchasers are solely responsible for the choice, selection and use of the ST products and services described herein, and ST assumes no liability whatsoever relating to the choice, selection or use of the ST products and services described herein.

No license, express or implied, by estoppel or otherwise, to any intellectual property rights is granted under this document. If any part of this document refers to any third party products or services it shall not be deemed a license grant by ST for the use of such third party products or services, or any intellectual property contained therein or considered as a warranty covering the use in any manner whatsoever of such third party products or services or any intellectual property contained therein.

UNLESS OTHERWISE SET FORTH IN ST'S TERMS AND CONDITIONS OF SALE ST DISCLAIMS ANY EXPRESS OR IMPLIED WARRANTY WITH RESPECT TO THE USE AND/OR SALE OF ST PRODUCTS INCLUDING WITHOUT LIMITATION IMPLIED WARRANTIES OF MERCHANTABILITY, FITNESS FOR A PARTICULAR PURPOSE (AND THEIR EQUIVALENTS UNDER THE LAWS OF ANY JURISDICTION), OR INFRINGEMENT OF ANY PATENT, COPYRIGHT OR OTHER INTELLECTUAL PROPERTY RIGHT.

UNLESS EXPRESSLY APPROVED IN WRITING BY AN AUTHORIZED ST REPRESENTATIVE, ST PRODUCTS ARE NOT RECOMMENDED, AUTHORIZED OR WARRANTED FOR USE IN MILITARY, AIR CRAFT, SPACE, LIFE SAVING, OR LIFE SUSTAINING APPLICATIONS, NOR IN PRODUCTS OR SYSTEMS WHERE FAILURE OR MALFUNCTION MAY RESULT IN PERSONAL INJURY, DEATH, OR SEVERE PROPERTY OR ENVIRONMENTAL DAMAGE. ST PRODUCTS WHICH ARE NOT SPECIFIED AS "AUTOMOTIVE GRADE" MAY ONLY BE USED IN AUTOMOTIVE APPLICATIONS AT USER'S OWN RISK.

Resale of ST products with provisions different from the statements and/or technical features set forth in this document shall immediately void any warranty granted by ST for the ST product or service described herein and shall not create or extend in any manner whatsoever, any liability of ST.

ST and the ST logo are trademarks or registered trademarks of ST in various countries.

Information in this document supersedes and replaces all information previously supplied.

The ST logo is a registered trademark of STMicroelectronics. All other names are the property of their respective owners.

© 2008 STMicroelectronics - All rights reserved

STMicroelectronics group of companies

Australia - Belgium - Brazil - Canada - China - Czech Republic - Finland - France - Germany - Hong Kong - India - Israel - Italy - Japan - Malaysia - Malta - Morocco - Singapore - Spain - Sweden - Switzerland - United Kingdom - United States of America

www.st.com