

Si5315-EVB USER'S GUIDE

Description

The Si5315 Evaluation Board User's Guide provides for a complete and simple evaluation of the functions, features, and performance of the Si5315-EVB.

The Si5315 Synchronous Ethernet/Telecom jitter attenuating clock multiplier has a comprehensive feature set, including any-rate frequency synthesis, multiple clock inputs, multiple clock outputs, alarm and status outputs, hitless switching between input clocks, and programmable output clock signal format (LVPECL, LVDS, CML, CMOS). For more details, consult the Silicon Labs timing products website at: www.silabs.com/timing.

The Si5315-EVB has two differential clock input and

output ports that are AC terminated to 50 ohms and then AC coupled to the Si5315. The XA-XB reference is usually a 40 MHz crystal; however, there are provisions for an external XA-XB reference clock (either differential or single ended).

The evaluation board (EVB) can be powered using two different approaches: external power supplies or by USB. Jumper plugs are provided to select between these two options. Jumper plugs are used to strap the device pins for the various pin value options. Status outputs are available on a ribbon connector header. SMA connectors are used for the clock input, output, and XA-XB reference signals.

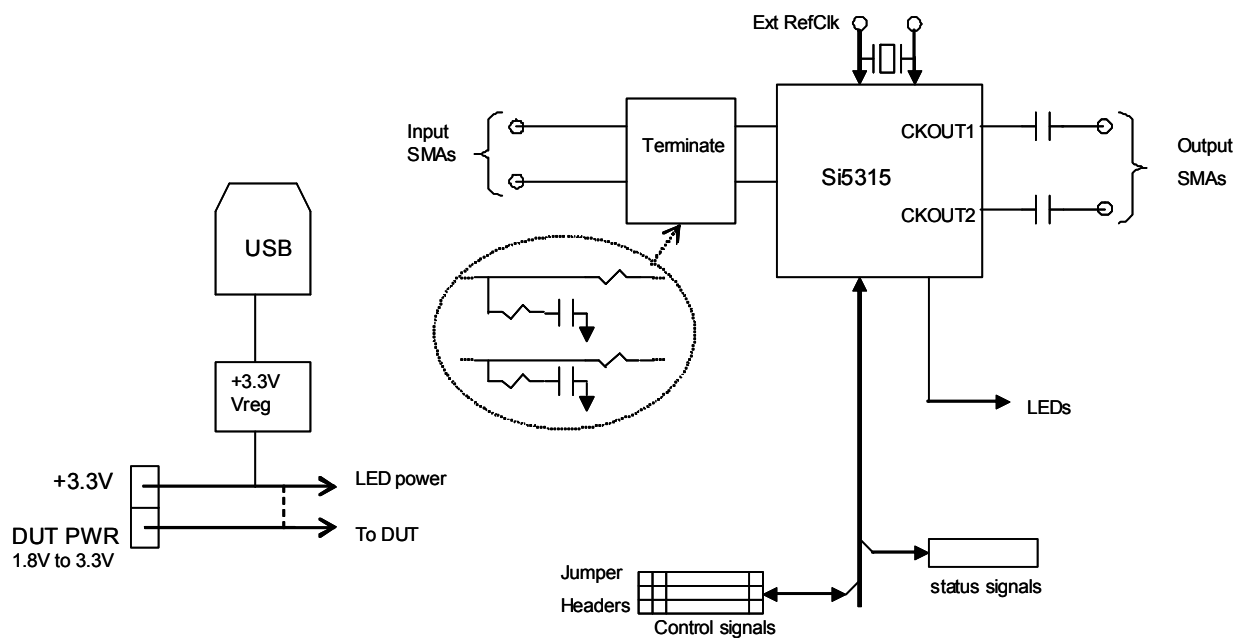
Features

The Si5315-EVB includes the following:

- CD with the Si5315 documentation and the Si5315-EVB User's Guide

- Evaluation board

Function Block Diagram

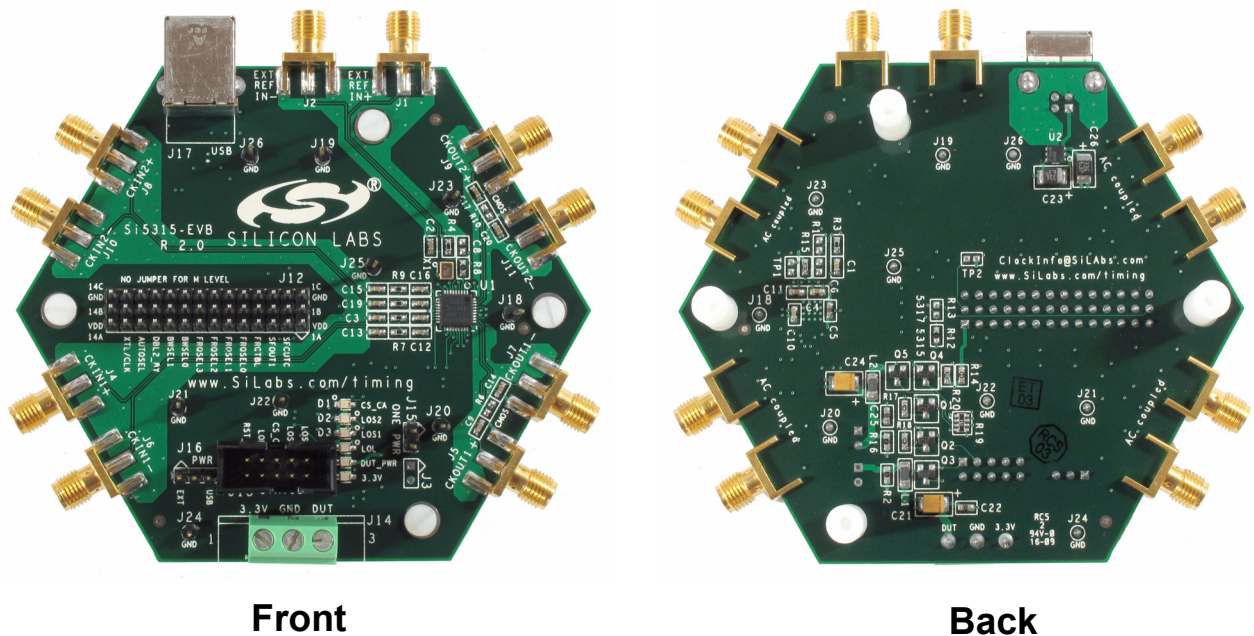


Si5315-EVB

1. Introduction

The Si5315 is a jitter-attenuating clock multiplier for Gb and 10G Synchronous Ethernet, SONET/SDH, and PDH (T1/E1) applications. The Si5315 accepts dual clock inputs ranging from 8 kHz to 644.53 MHz and generates two equal frequency-multiplied clock outputs ranging from 8 kHz to 644.53 MHz. The input clock frequency and clock multiplication ratio are selectable from a table of popular SyncE and T1/E1 rates. The Si5315 is based on Silicon Laboratories' 3rd-generation DSPLL[®] technology, which provides any-rate frequency synthesis and jitter attenuation in a highly integrated PLL solution that eliminates the need for external VCXO and loop filter components. The DSPLL loop bandwidth is user programmable, providing jitter performance optimization at the application level.

Refer to the Si5315 data sheet for technical details of the device.



Front

Back

Figure 1. Si5315 EVB

2. Si5315-EVB Input and Output Clocks

Refer to the schematics, diagrams, and tables while reading this section.

2.1. Input Clocks

The Si5315 has two differential clock inputs that are AC terminated and AC coupled before being presented to the Si5315. If the input clock frequencies are low (below 1 MHz), there are extra considerations that should be taken into account. The Si5315 has a maximum clock input rise time specification of 11 ns that must be met (see CKNtrf in the Si5315 data sheet). Also, if the input clock is LVCMOS, it might be advantageous to replace the input coupling capacitors (C7, C12, C16, and C18) with zero ohm resistors. Regardless of the input format, if the clock inputs are not roughly 50% duty cycle, it is highly recommended to avoid AC coupling. For input clocks that are far off of 50% duty cycle, the average value of the signal that passes through the coupling capacitor will be significantly off of the midpoint between the maximum and minimum value of the clock signal, resulting in a mismatch with the common mode input threshold voltage (see V_{ICM} in Table 2 of the Si5315 data sheet).

2.2. XA-XB Reference

To achieve very low jitter generation and for stability during holdover, the Si5315 requires a stable, low jitter reference at its XA-XB pins. To that end, the EVB is configured with a 40 MHz fundamental mode crystal connected between pins 6 and 7 of the Si5315. However, the Si5315-EVB is capable of using an external XA-XB reference oscillator, either differential or single ended. J1 and J2 are the SMA connectors with AC termination. AC coupling is also provided that needs to be installed at C6 and C8. Table 1 explains the changes of components that are needed to implement an external XA-XB reference oscillator.

Table 1. XA-XB Reference Mode of Operation

	Mode	
	Xtal	Ext Ref
Ext Ref In+	NC	J1
Ext Ref In-	NC	J2
C6, C8	NOPOP	install
R8	install	NOPOP
XTAL/CLOCK (J12 jumper, see Table 3.)	L	M
Notes: <ol style="list-style-type: none"> 1. Xtal is 40 MHz. 2. NC – no connect. 3. NOPOP – do not install. 		

2.3. Output Clocks

The clock outputs are AC coupled and are available on SMA's J5, J7, J9, and J11. For LVCMOS outputs, it might be desirable to replace the AC coupling capacitors (C9, C14, C17, and C 20) with zero ohm resistors. Also, if greater drive strength is desired for LVCMOS outputs, R6 and R10 can be installed.

2.4. Pin Configuration

J12 is the large jumper header in the center left of the board that implements the jumper plugs that configure the pins of the Si5315. Each pin can be strapped to be either H, M or L. H is achieved by installing a jumper plug between the appropriate middle row pin and its VDD row pin. L is achieved by installing a jumper plug between the appropriate middle row pin and its GND row pin. M is achieved by not installing a jumper plug.

2.5. Evaluation Board Power Options

The EVB can be powered from two possible sources: USB or external supplies. A 3.3 V supply is required to run the LEDs because of their large forward drop. The Si5315 power supply can be separated from the 3.3 V supply so that the Si5315 can be evaluated at voltages other than 3.3 V. It is important to note that when the USB supply is being used, the EVB uses the USB port only for power and that the resulting power supply is strictly 3.3 V.

Here are the instructions for the various possibilities:

2.5.1. Two External Power Supplies

1. Install a jumper between J16.1 and J16.2 (labeled EXT).
2. No USB connection.
3. If the Si5315 is not being operated at 3.3 V, two different supplies should be connected to J14. Connect the 3.3 V supply to J14.1 and J14.2 (labeled 3.3 V and GND). Connect the Si5315 power supply between J14.2 and J14.3 (labeled GND and DUT).
4. If the Si5315 is to be operated at 3.3 V, J15 (labeled ONE PWR) can be installed, requiring only one external supply. Connect 3.3 V power between J14.2 and J14.3 (labeled GND and DUT).

2.5.2. USB Power

1. With a USB cable, plug the EVB into a powered USB port.
2. Install a jumper between J16.2 and J16.3 (labeled USB).
3. Install a jumper at J15 (labeled ONE PWR).

2.5.3. USB 3.3 V Power, External Si5315 Power

1. Install a jumper between J16.2 and J16.3 (labeled USB).
2. No jumper at J15 (labeled ONE PWR).
3. Connect the Si5315 power supply between J14.2 and J14.3 (labeled GND and DUT).

3. Connectors and LEDs

3.1. LEDs

Table 2. LED Descriptions

LED	Color	Label	Significance
D1	Yellow	CS_CA	ON = clock input 2 selected, else clock 1
D2	Red	LOS2	ON = no valid clock input 2
D3	Red	LOS1	ON = no valid clock input 1
D4	Red	LOL	ON = Si5315 is not locked
D5	Green	DUT_PWR	ON = Si5315 power is present
D6	Green	3.3V	ON = 3.3V power is present

3.2. Connectors, Headers, and Jumpers

Refer to Figure 2 to locate the items described in this section.

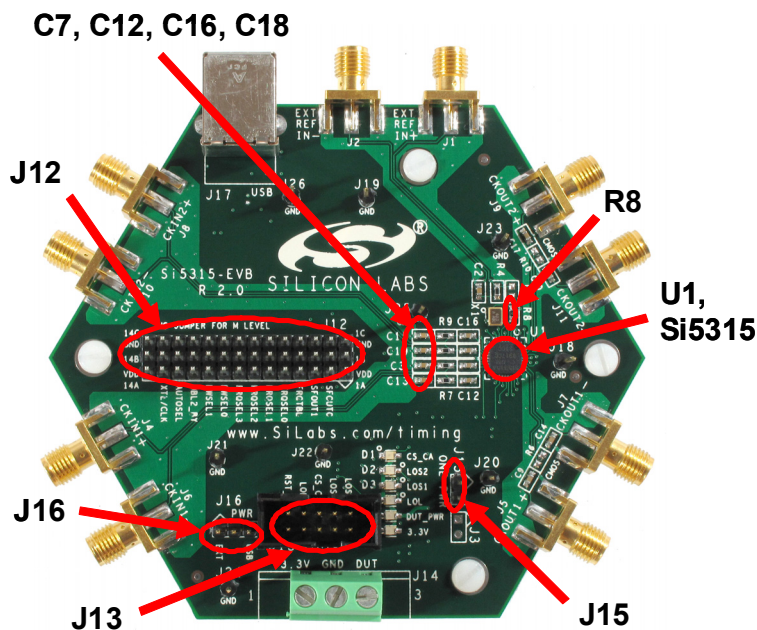


Figure 2. Connectors, Headers, and Jumper Locations

Table 3. Configuration Header, J12

J12	Pin
J12.1	Not used*
J12.2	SFOUT0
J12.3	SFOUT1
J12.4	FRQTBL
J12.5	FRQSEL0
J12.6	FRQSEL1
J12.7	FRQSEL2
J12.8	FRQSEL3
J12.9	BWSEL0
J12.10	BSWEL1
J12.11	DBL2_BY
J12.12	AUTOSEL
J12.13	XTAL/CLOCK
J12.14	Not used*

***Note:** Unused header pin locations should be left open.

Table 4. Status Indication Header, J13

J13	Signal
J13.1	LOS1
J13.3	LOS2
J13.5	CS_CA
J13.7	LOL
J13.9	RST_B

4. Schematics

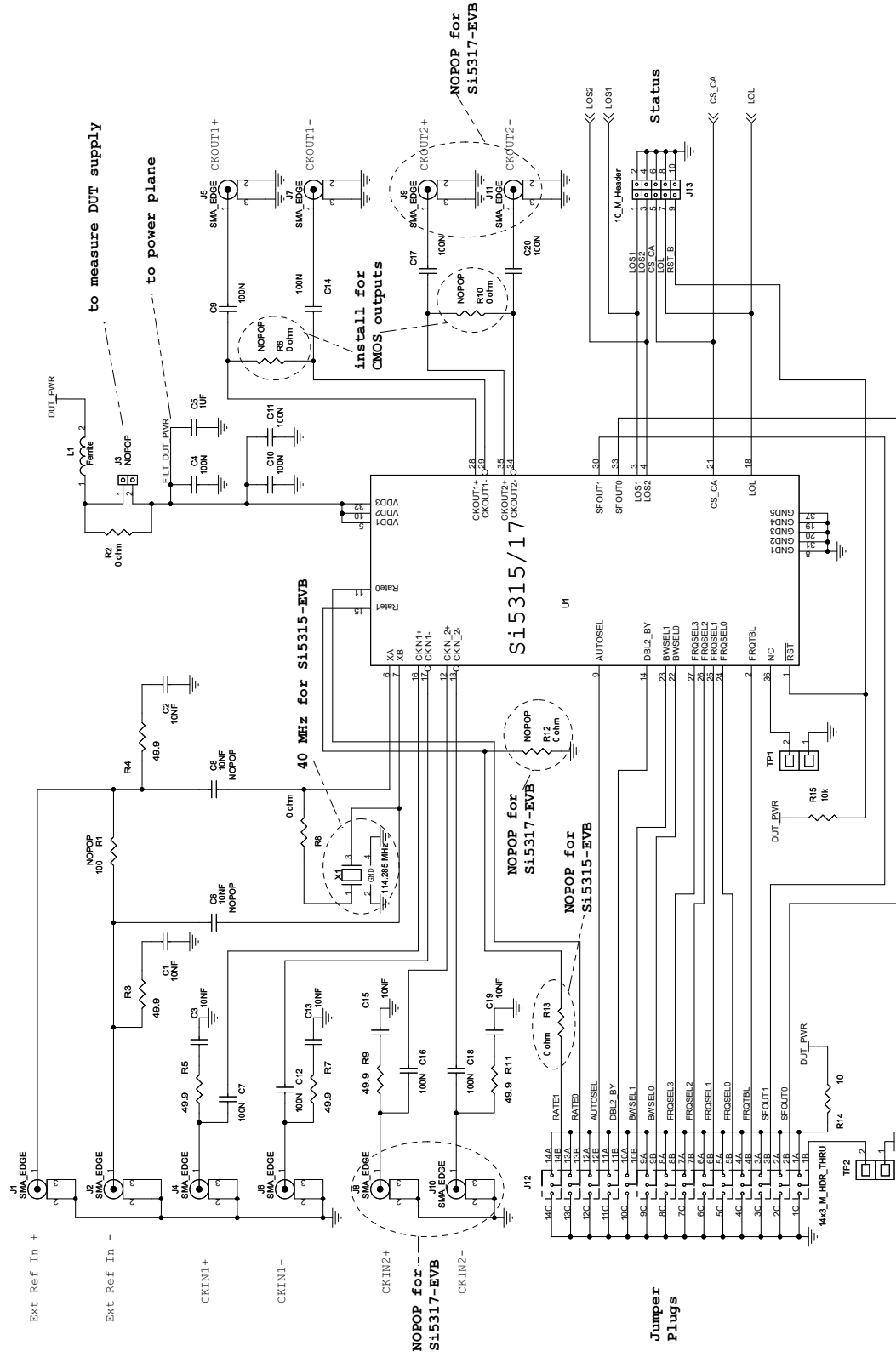


Figure 3. Si5315/17-EVB

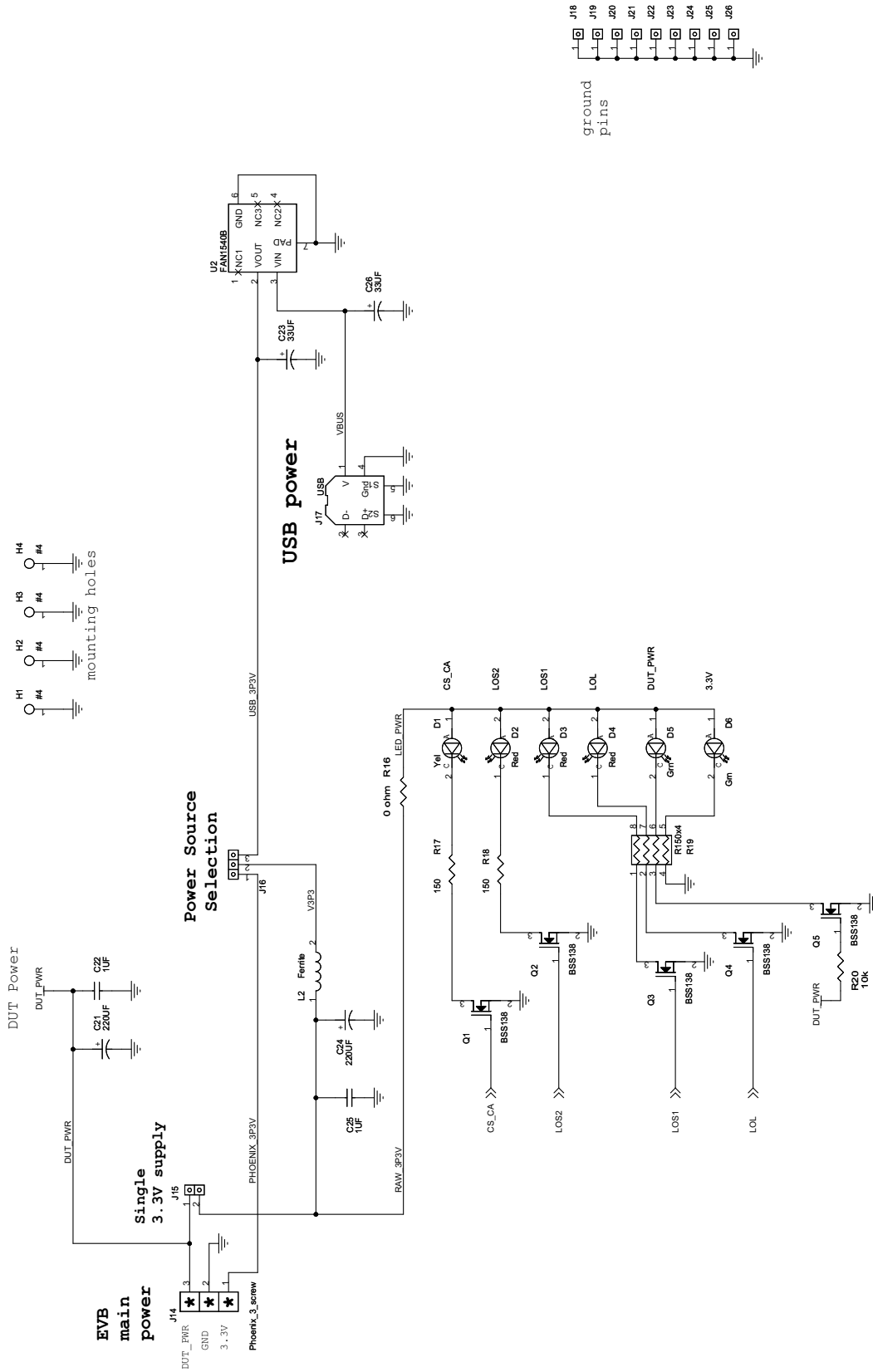


Figure 4. Power and LED

5. Bill of Materials

Table 5. Si5315-EVB Bill of Materials

Item	Qty	Reference	Part	Mfr	Manufacturer Part No.
1	6	C1,C2,C3,C13,C15,C19	10NF	Venkel	C0603X7R160-103KNE
2	11	C4,C7,C9,C10,C11,C12,C14, C16,C17,C18,C20	100N	Venkel	C0603X7R160-104KNE
3	3	C5,C22,C25	1UF	Venkel	C0603X7R6R3-105KNE
5	2	C21,C24	220UF	Kemet	T494B227M004AT
6	2	C23,C26	33UF	Venkel	TA006TCM336MBR
7	1	D1	Yel	Panasonic	LN1471YTR
8	3	D2,D3,D4	Red	Lumex	LN1271RAL
9	2	D5,D6	Grn	Panasonic	LN1371G
11	10	J1,J2,J4,J5,J6,J7, J8,J9,J10,J11	SMA_EDGE	Johnson	142-0701-801
13	1	J12	14x3_M_HDR_THRU	—	
14	1	J13	10_M_Header	3M	N2510-6002RB
15	1	J14	Phoenix_3_screw	Phoenix	MKDSN 1.5/3-5.08
16	1	J15	Jmpr_2pin		
17	1	J16	Jmpr_3pin		
18	1	J17	USB	FCI	61729-0010BLF
19	9	J18,J19,J20,J21, J22,J23,J24,J25,J26	Jmpr_1pin		
20	2	L1,L2	Ferrite	Venkel	FBC1206-471H
21	5	Q1,Q2,Q3,Q4,Q5	BSS138	On Semi	BSS138LT1G
23	4	R2,R8,R12,R16	0 ohm	Venkel	CR0603-16W-000T
24	6	R3,R4,R5,R7,R9,R11	49.9	Venkel	CR0603-16W-49R9FT
26	1	R14	10	Venkel	CR0603-16W-10R0FT
27	2	R15,R20	10k	Venkel	CR603-16W-1002FT
28	2	R17,R18	150	Venkel	CR0603-16W-1500FT
29	1	R19	R150x4	Panasonic	EXB-38V151JV
31	1	U1	Si5315	Silicon Labs	Si5315A-C-GM

Si5315-EVB

Table 5. Si5315-EVB Bill of Materials

Item	Qty	Reference	Part	Mfr	Manufacturer Part No.
32	1	U2	FAN1540B	Fairchild	FAN1540BPMX
33	1	X1	40 MHz	Abracon	ABM8-40.000 MHz-BZT
Not Populated					
4	2	C6,C8	10NF	Venkel	C0603X7R160-103KNE
12	1	J3	Jmpr_2pin		
22	1	R1	100	Venkel	CR0603-16W-1000FT
25	3	R6,R10,R13	0 ohm	Venkel	CR0603-16W-000T

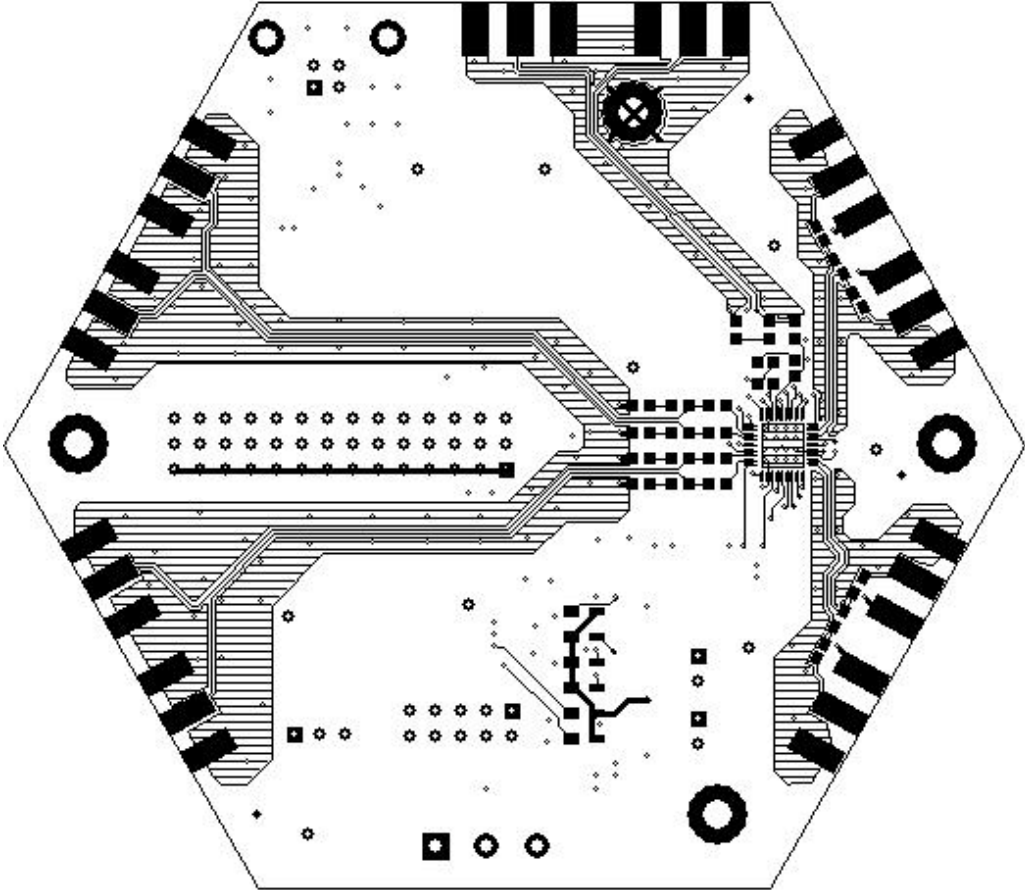


Figure 6. Layer 1

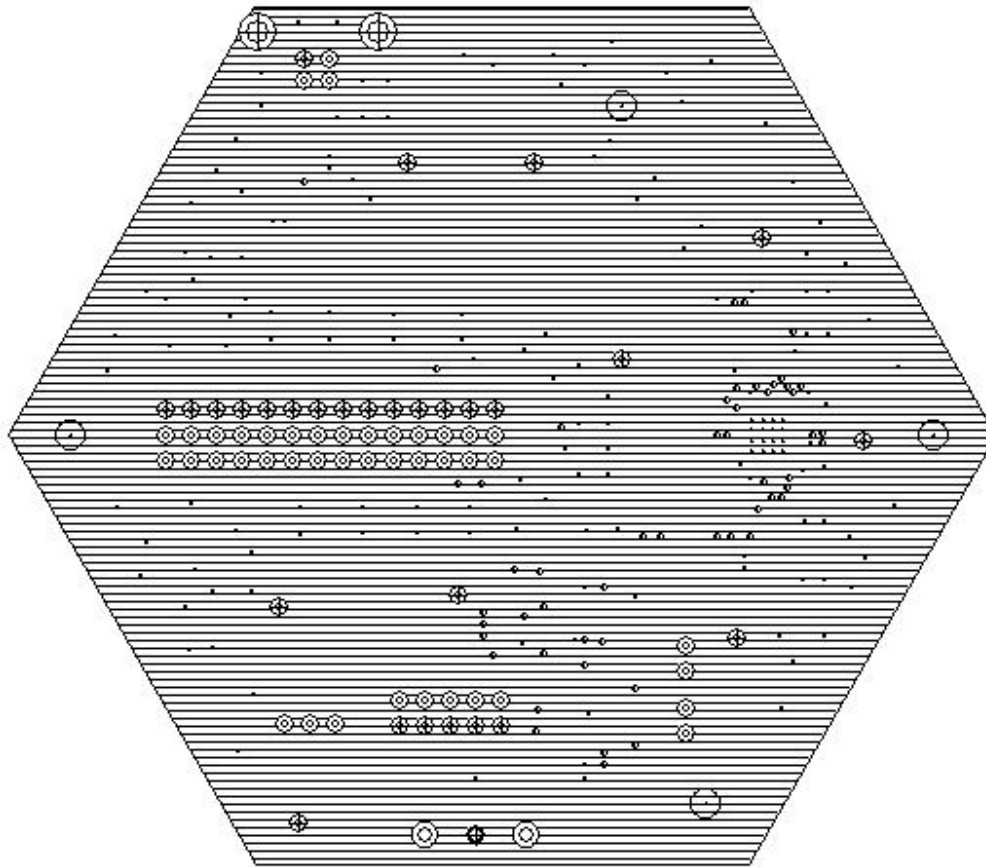


Figure 7. Layer 2—Ground Plane

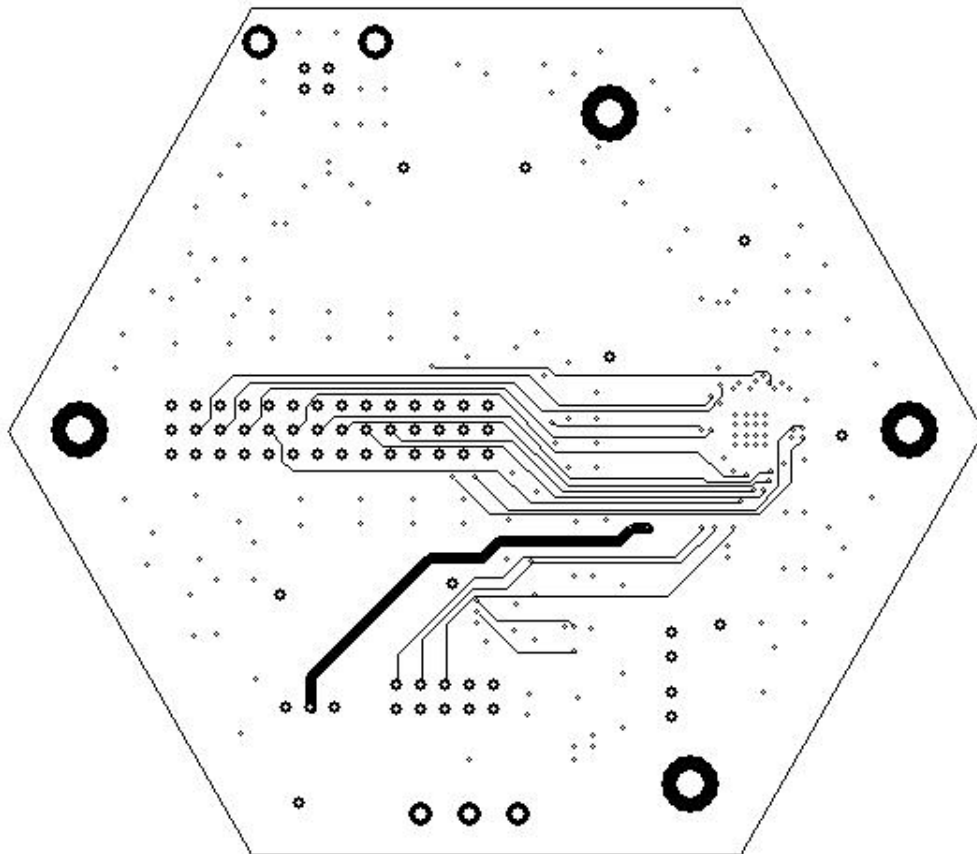


Figure 8. Layer 3

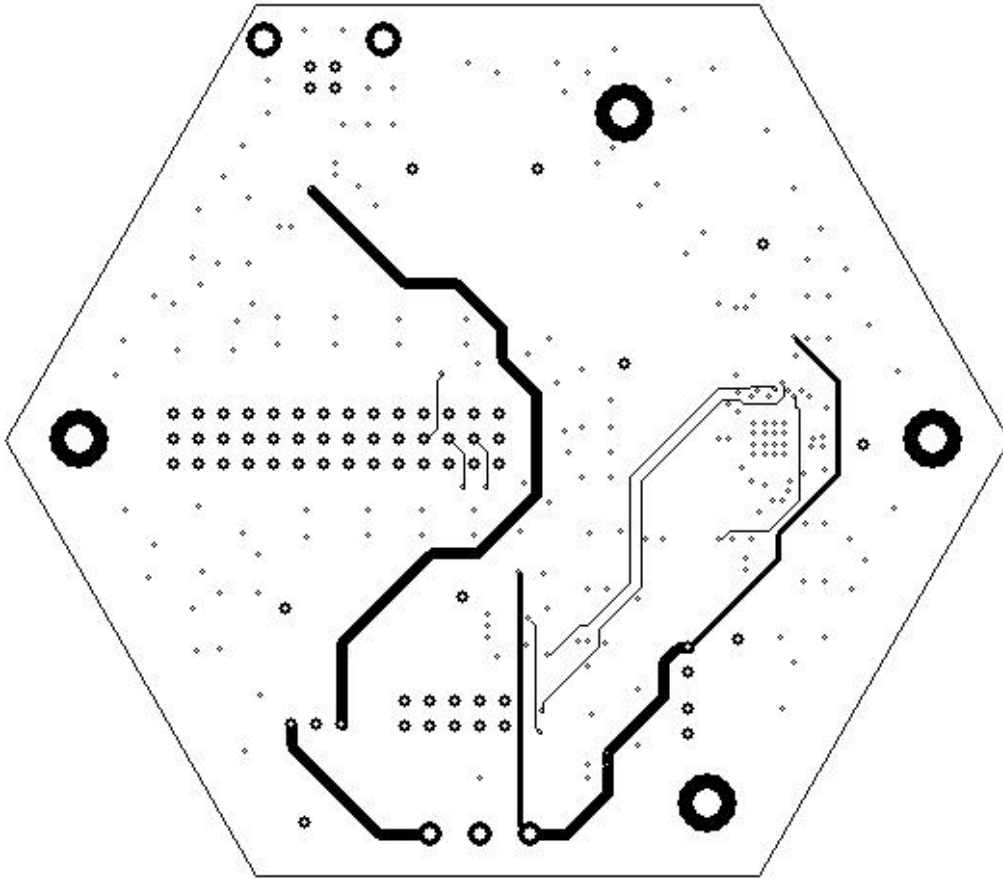


Figure 9. Layer 4

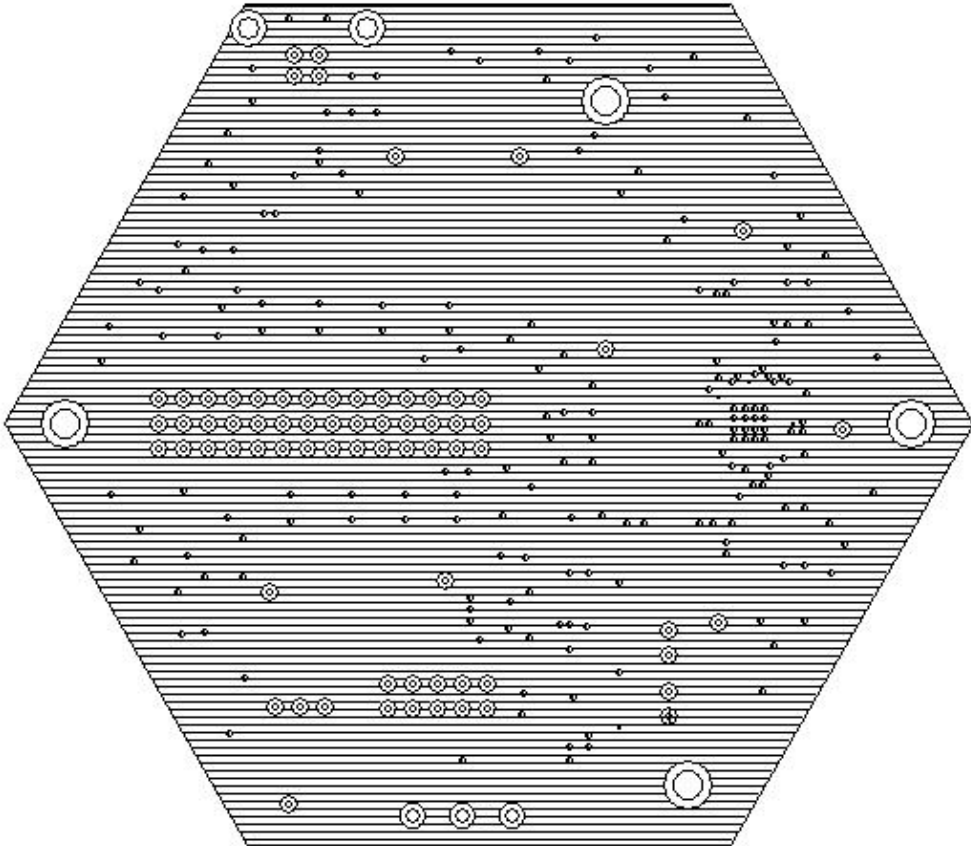


Figure 10. Layer 5, FILT_DUT_PWR

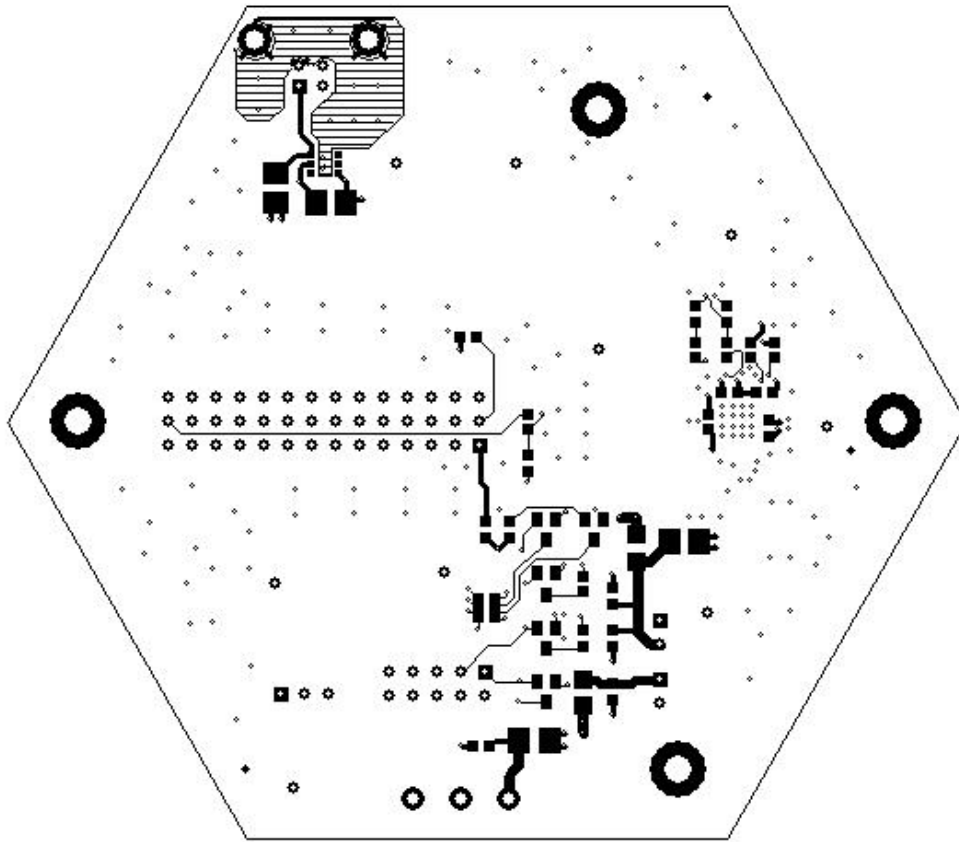


Figure 11. Layer 6, Bottom

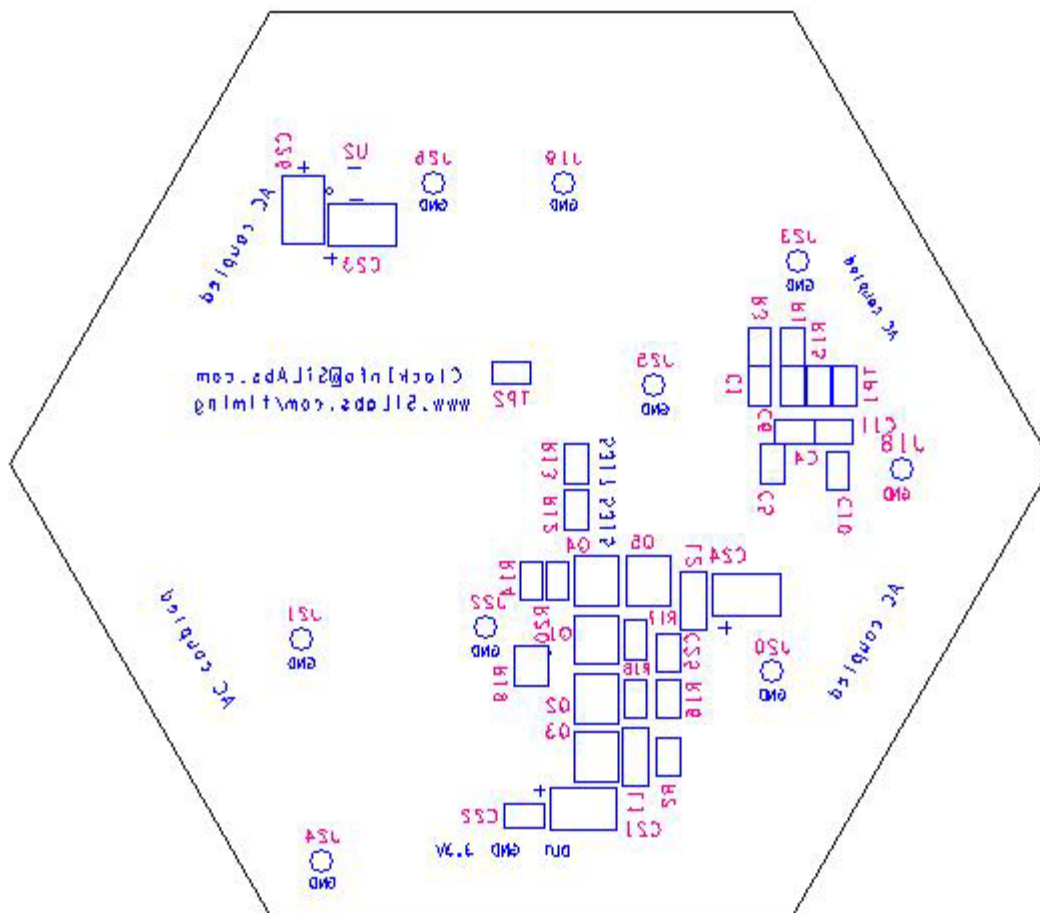


Figure 12. Bottom Silkscreen

7. Factory Default Configuration

Table 6. Factory Default Jumper Settings

J12	Pin	Jumper
J12.1	Not used	—
J12.2	SFOUT0	H
J12.3	SFOUT1	M
J12.4	FRQTBL	H
J12.5	FRQSEL0	L
J12.6	FRQSEL1	H
J12.7	FRQSEL2	M
J12.8	FRQSEL3	L
J12.9	BWSEL0	H
J12.10	BSWEL1	H
J12.11	DBL2_BY	L
J12.12	AUTOSEL	H
J12.13	XTAL/CLOCK	L
J12.14	Not used	—

The jumper settings in Table 6 result in the following:

SFOUT = LVPECL outputs

19.44 MHz input clocks

155.52 MHz output clocks

BW = 112 Hz

DBL2_BY = CKOUT2 enabled

AUTOSEL = automatic revertive clock selection

XTAL/CLOCK = 40 MHz crystal

Refer to Table 7 in the Si5315 Data Sheet for other frequency plans.

The factory configuration for the board is to use only USB power by using the following jumper configuration:

Jumper between J16.2 and J16.3 (labeled PWR, USB)

Jumper installed on J15 (labeled ONE POWER)

Si5315-EVB

NOTES:



DOCUMENT CHANGE LIST

Revision 0.1 to Revision 0.2

- Removed Si5315-EVB from Appendix of Si5315-EVB, Si5316-EVB, Si5319-EVB, Si532/23-EVB, Si5325/26-EVB with Si5315-EVB Appendix B User's Guide
- Revised Revision 0.2 as a stand-alone Si5315-EVB User's Guide

CONTACT INFORMATION

Silicon Laboratories Inc.
400 West Cesar Chavez
Austin, TX 78701
Tel: 1+(512) 416-8500
Fax: 1+(512) 416-9669
Toll Free: 1+(877) 444-3032

Please visit the Silicon Labs Technical Support web page:
<https://www.silabs.com/support/pages/contacttechnicalsupport.aspx>
and register to submit a technical support request.

The information in this document is believed to be accurate in all respects at the time of publication but is subject to change without notice. Silicon Laboratories assumes no responsibility for errors and omissions, and disclaims responsibility for any consequences resulting from the use of information included herein. Additionally, Silicon Laboratories assumes no responsibility for the functioning of undescribed features or parameters. Silicon Laboratories reserves the right to make changes without further notice. Silicon Laboratories makes no warranty, representation or guarantee regarding the suitability of its products for any particular purpose, nor does Silicon Laboratories assume any liability arising out of the application or use of any product or circuit, and specifically disclaims any and all liability, including without limitation consequential or incidental damages. Silicon Laboratories products are not designed, intended, or authorized for use in applications intended to support or sustain life, or for any other application in which the failure of the Silicon Laboratories product could create a situation where personal injury or death may occur. Should Buyer purchase or use Silicon Laboratories products for any such unintended or unauthorized application, Buyer shall indemnify and hold Silicon Laboratories harmless against all claims and damages.

Silicon Laboratories, Silicon Labs, and DSPLL are trademarks of Silicon Laboratories Inc.
Other products or brandnames mentioned herein are trademarks or registered trademarks of their respective holders.