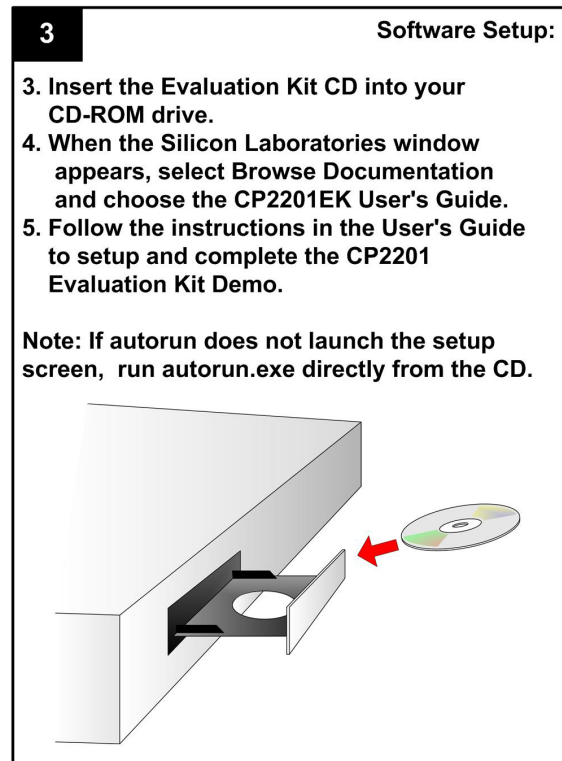
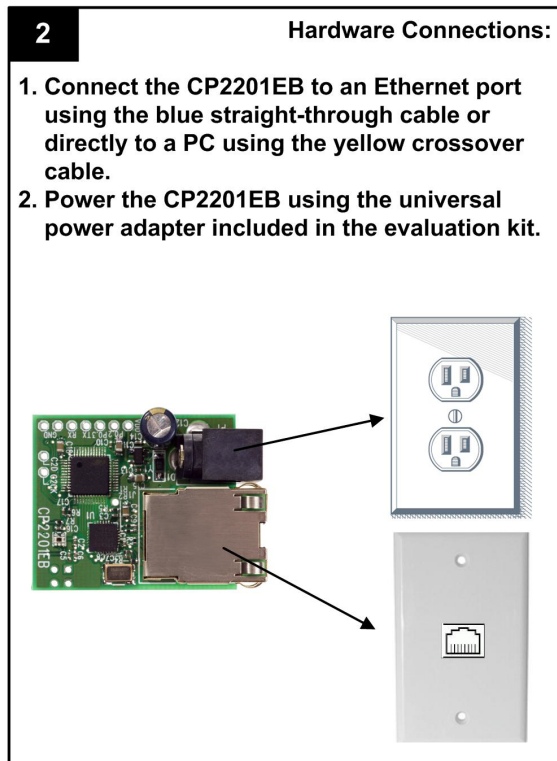
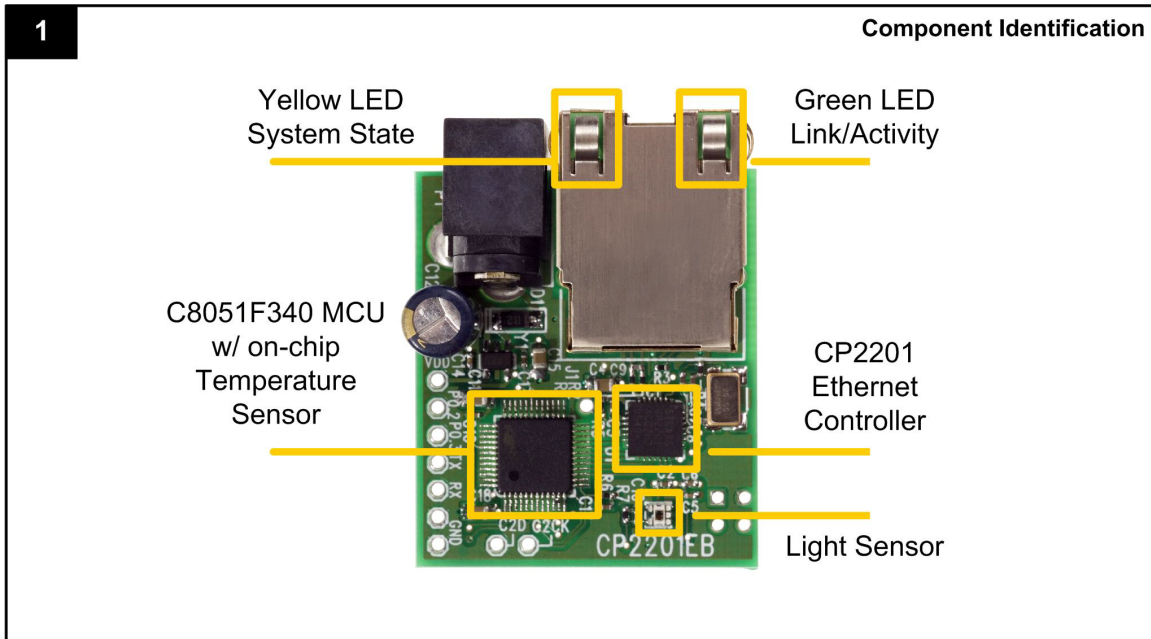


CP2201 EVALUATION KIT QUICK-START GUIDE



For the latest firmware and product updates, go to www.silabs.com/ethernet.