



L6470

Fully integrated microstepping motor driver with motion engine and SPI

Features

- Operating voltage: 8 - 45 V
- 7.0 A output peak current (3.0 A r.m.s.)
- Low R_{DSon} power MOSFETS
- Programmable speed profile and positioning
- Programmable power MOS slew-rate
- Up to 1/128 microstepping
- Sensorless stall detection
- SPI interface
- Low quiescent and standby currents
- Programmable non dissipative overcurrent protection on high and low-side
- Two levels overtemperature protection

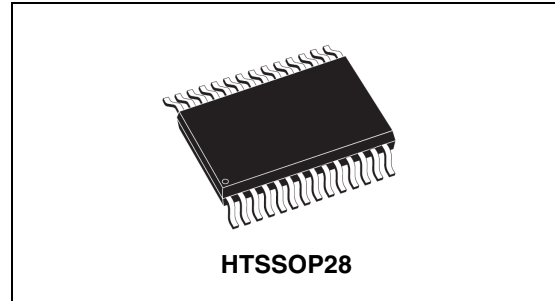
Applications

- Bipolar stepper motor

Description

The L6470, realized in analog mixed signal technology, is an advanced fully integrated solution suitable for driving two phase bipolar stepper motors with microstepping.

It integrates a dual low R_{DSon} DMOS full bridge with all of the power switches equipped with an



accurate on chip current sensing circuitry suitable for non dissipative current control and overcurrent protections. Thanks to a unique control system a true 1/128 steps resolution is achieved. The digital control core can generate user defined motion profiles with acceleration, deceleration, speed or target position easily programmed through a dedicated registers set. All commands and data registers, including those used to set analogue values (i.e. current control value, current protection trip point, dead time, PWM frequency etc.) are sent through a standard 5Mbit/s SPI.

A very rich set of protections (thermal, low bus voltage, overcurrent, motor stall) allows designing a fully protected application, as required by most demanding motor control applications.

Table 1. Device summary

Order codes	Package	Packing
L6470H	HTSSOP28	Tube
L6470HTR	HTSSOP28	Tape and reel

Contents

1	Block diagram	8
2	Electrical data	9
2.1	Absolute maximum ratings	9
2.2	Recommended operating conditions	10
3	Electrical characteristics	11
4	Pin connection	16
4.1	Pin list	16
5	Typical applications	18
6	Functional description	19
6.1	Device power-up	19
6.2	Logic I/O	19
6.3	Charge pump	19
6.4	Microstepping	20
6.5	Absolute position counter	21
6.6	Programmable speed profiles	21
6.6.1	Infinite acceleration/deceleration mode	21
6.7	Motor control commands	22
6.7.1	Constant speed commands	22
6.7.2	Positioning commands	22
6.7.3	Motion commands	23
6.7.4	Stop commands	23
6.7.5	Step-clock mode	24
6.8	Internal oscillator and oscillator driver	24
6.8.1	Internal oscillator	24
6.8.2	External clock source	24
6.9	Overcurrent detection	25
6.10	Undervoltage lock-out (UVLO)	26
6.11	Thermal warning and thermal shutdown	26

6.12	Reset and standby	26
6.13	External switch (SW pin)	27
6.14	Programmable DMOS slew-rate, dead-time and blanking-time	28
6.15	Integrated analog to digital converter	28
6.16	Internal voltage regulator	28
6.17	BUSY\SYNC pin	29
6.17.1	BUSY operation mode	29
6.17.2	SYNC operation mode	29
6.18	FLAG pin	29
7	Phase current control	30
7.1	PWM sinewave generators	30
7.2	Sensorless stall detection	31
7.3	Low speed optimization	31
7.4	BEMF compensation	32
7.5	Motor supply voltage compensation	32
7.6	Winding resistance thermal drift compensation	33
8	Serial interface	34
9	Programming manual	36
9.1	Registers and flags description	36
9.1.1	ABS_POS	37
9.1.2	EL_POS	37
9.1.3	MARK	38
9.1.4	SPEED	38
9.1.5	ACC	38
9.1.6	DEC	39
9.1.7	MAX_SPEED	39
9.1.8	MIN_SPEED	39
9.1.9	FS_SPD	40
9.1.10	KVAL_HOLD, KVAL_RUN, KVAL_ACC and KVAL_DEC	40
9.1.11	INT_SPEED	41
9.1.12	ST_SLP	41
9.1.13	FN_SLP_ACC	41
9.1.14	FN_SLP_DEC	42

9.1.15	K_THERM	42
9.1.16	ADC_OUT	42
9.1.17	OCD_TH	43
9.1.18	STALL_TH	43
9.1.19	STEP_MODE	43
9.1.20	ALARM_EN	45
9.1.21	CONFIG	45
9.1.22	STATUS	50
9.2	Application commands	52
9.2.1	Command management	53
9.2.2	Nop	53
9.2.3	SetParam (PARAM, VALUE)	54
9.2.4	GetParam (PARAM)	54
9.2.5	Run (DIR, SPD)	55
9.2.6	StepClock (DIR)	55
9.2.7	Move (DIR, N_STEP)	56
9.2.8	GoTo (ABS_POS)	56
9.2.9	GoTo_DIR (DIR, ABS_POS)	57
9.2.10	GoUntil (ACT, DIR, SPD)	57
9.2.11	ReleaseSW (ACT, DIR)	58
9.2.12	GoHome	58
9.2.13	GoMark	58
9.2.14	ResetPos	59
9.2.15	ResetDevice	59
9.2.16	SoftStop	59
9.2.17	HardStop	59
9.2.18	SoftHiZ	60
9.2.19	HardHiZ	60
9.2.20	GetStatus	60
10	Package mechanical data	61
11	Revision history	63

List of tables

Table 1.	Device summary	1
Table 2.	Absolute maximum ratings	9
Table 3.	Recommended operating conditions	10
Table 4.	Electrical characteristics	11
Table 5.	Pin description	16
Table 6.	Typical application values	18
Table 7.	CL values according to external oscillator frequency	25
Table 8.	Registers map	36
Table 9.	EL_POS register	37
Table 10.	MIN_SPEED register	39
Table 11.	Voltage amplitude regulation registers	41
Table 12.	Winding resistance thermal drift compensation coefficient	42
Table 13.	ADC_OUT value and motor supply voltage compensation feature	42
Table 14.	Overcurrent detection threshold	43
Table 15.	Stall detection threshold	43
Table 16.	STEP_MODE register	43
Table 17.	Step mode selection	44
Table 18.	SYNC output frequency	44
Table 19.	SYNC signal source	45
Table 20.	ALARM_EN register	45
Table 21.	CONFIG register	45
Table 22.	Oscillator management	46
Table 23.	External switch hard stop interrupt mode	46
Table 24.	Overcurrent event	47
Table 25.	Programmable power bridge output slew-rate values	47
Table 26.	Motor supply voltage compensation enable	47
Table 27.	PWM frequency: integer division factor	47
Table 28.	PWM frequency: multiplication factor	48
Table 29.	Available PWM frequencies [kHz]: 8 MHz oscillator frequency	48
Table 30.	Available PWM frequencies [kHz]: 16 MHz oscillator frequency	49
Table 31.	Available PWM frequencies [kHz]: 24 MHz oscillator frequency	49
Table 32.	Available PWM frequencies [kHz]: 32 MHz oscillator frequency	50
Table 33.	STATUS register	50
Table 34.	STATUS register DIR bit	51
Table 35.	STATUS register MOT_STATE bits	51
Table 36.	Application commands	52
Table 37.	Nop command structure	53
Table 38.	SetParam command structure	54
Table 39.	GetParam command structure	54
Table 40.	Run command structure	55
Table 41.	Stepclock command structure	55
Table 42.	Move command structure	56
Table 43.	GoTo command structure	56
Table 44.	GoTo_DIR command structure	57
Table 45.	GoUntil command structure	57
Table 46.	ReleaseSW command structure	58
Table 47.	GoHome command structure	58
Table 48.	GoMark command structure	58

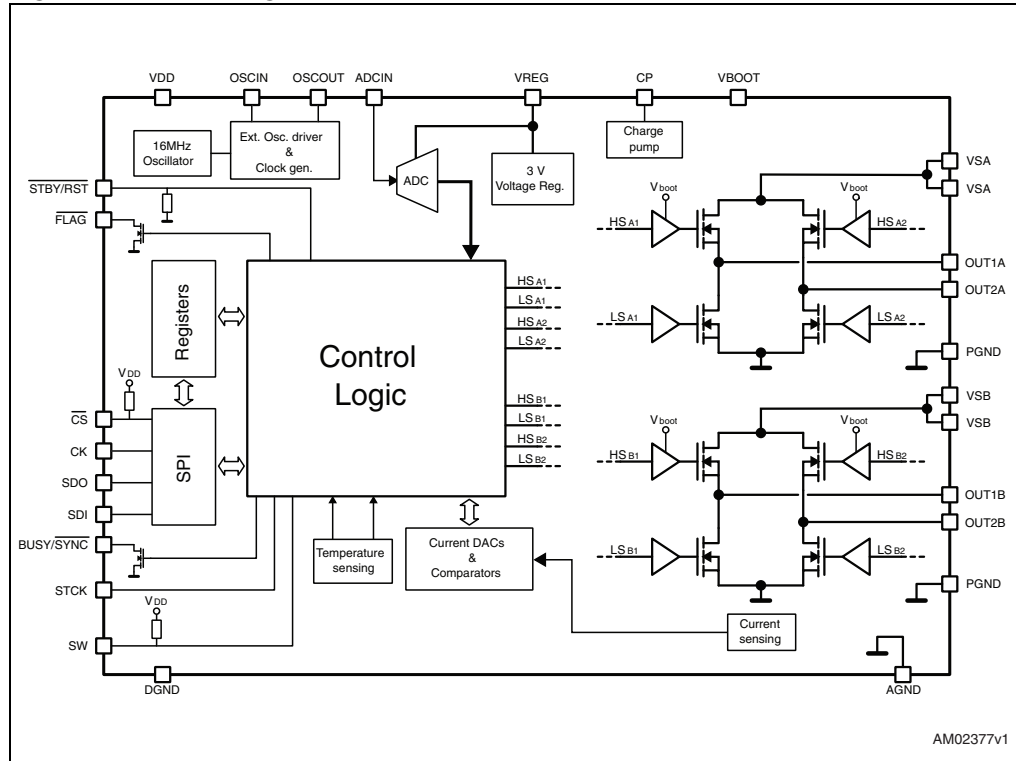
Table 49.	ResetPos command structure	59
Table 50.	ResetDevice command structure	59
Table 51.	SoftStop command structure	59
Table 52.	HardStop command structure	59
Table 53.	SoftHiZ command structure	60
Table 54.	HardHiZ command structure	60
Table 55.	GetStatus command structure	60
Table 56.	HTSSOP28 mechanical data	61
Table 57.	Document revision history	63

List of figures

Figure 1.	Block diagram	8
Figure 2.	Pin connection (top view)	16
Figure 3.	Bipolar stepper motor control application using L6470	18
Figure 4.	Charge pump circuitry	20
Figure 5.	Normal mode and microstepping (128 microsteps)	20
Figure 6.	Speed profile in infinite acceleration/deceleration mode	21
Figure 7.	Constant speed commands examples	22
Figure 8.	Positioning command examples	23
Figure 9.	Motion commands examples	23
Figure 10.	OSCIN and OSCOUT pins configurations	25
Figure 11.	External switch connection	27
Figure 12.	Internal 3 V linear regulator	28
Figure 13.	Current distortion and compensation	31
Figure 14.	BEMF compensation curve	32
Figure 15.	Motor supply voltage compensation circuit	33
Figure 16.	SPI timings diagram	34
Figure 17.	Daisy-chain configuration	35
Figure 18.	Command with three byte argument	53
Figure 19.	Command with three byte responset	53
Figure 20.	Command response aborted	53
Figure 21.	HTSSOP28 mechanical data	62

1 Block diagram

Figure 1. Block diagram



2 Electrical data

2.1 Absolute maximum ratings

Table 2. Absolute maximum ratings

Symbol	Parameter	Test condition	Value	Unit
V_{DD}	Logic interface supply voltage		5.5	V
V_S	Motor supply voltage	$V_{SA} = V_{SB} = V_S$	48	V
$V_{GND, diff}$	Differential voltage between AGND, PGND and DGND		± 0.3	V
V_{boot}	Bootstrap peak voltage		55	V
V_{REG}	Internal voltage regulator output pin and logic supply voltage		3.6	V
V_{ADCIN}	Integrated ADC input voltage range (ADCIN pin)		-0.3 to +3.6	V
V_{OSC}	OSCIN and OSCOUT pin voltage range		-0.3 to +3.6	V
V_{out_diff}	Differential voltage between V_{SA} , OUT1 _A , OUT2 _A , PGND and V_{SB} , OUT1 _B , OUT2 _B , PGND pins	$V_{SA} = V_{SB} = V_S$	48	V
V_{LOGIC}	Logic inputs voltage range		-0.3 to +5.5	V
$I_{out}^{(1)}$	R.m.s. output current		3	A
$I_{out_peak}^{(1)}$	Pulsed output current	$T_{PULSE} < 1 \text{ ms}$	7	A
T_{OP}	Operating junction temperature		150	°C
T_s	Storage temperature range		-55 to 150	°C
P_{tot}	Total power dissipation ($T_A = 25^\circ\text{C}$)	TBD	TBD	W
All pins	Maximum withstanding voltage range Test condition: CDF-AEC-Q100-002- "human body model" Acceptance criteria "normal performance" all pins vs. all pins		± 2000	V
	Maximum withstanding voltage range test condition: TBD - "charge device model" all pins vs. all pins		TBD	V

1. Maximum output current limit is related to metal connection and bonding characteristics. Actual limit must satisfy maximum thermal dissipation constraints.

2.2 Recommended operating conditions

Table 3. Recommended operating conditions

Symbol	Parameter	Test condition	Value			Unit
V_{DD}	Logic interface supply voltage	3.3 V logic outputs		3.3		V
		5 V logic outputs		5		
V_S	Motor supply voltage	$V_{SA} = V_{SB} = V_S$	8		45	V
V_{out_diff}	Differential voltage between V_{SA} , OUT1 _A , OUT2 _A , PGND and V_{SB} , OUT1 _B , OUT2 _B , PGND pins	$V_{SA} = V_{SB} = V_S$			45	V
$V_{REG,in}$	Logic supply voltage	V_{REG} voltage imposed by external source	3.2	3.3		V
V_{ADC}	Integrated ADC input voltage (ADCIN pin)		0		V_{REG}	V
T_j	Operating junction temperature		- 25		125	°C

3 Electrical characteristics

$V_{SA} = V_{SB} = 36\text{ V}$; $V_{DD} = 3.3\text{ V}$; internal 3 V regulator; $T_J = 25^\circ\text{C}$, unless otherwise specified.

Table 4. Electrical characteristics

Symbol	Parameter	Test condition	Min	Typ	Max	Unit
General						
V_{SthOn}	V_S UVLO turn on threshold		7.5	8.2	8.9	V
V_{SthOff}	V_S UVLO turn off threshold		6.6	7.2	7.8	V
$V_{SthHyst}$	V_S UVLO threshold hysteresis		0.7	1	1.3	V
I_q	Quiescent motor supply current	Internal oscillator selected; VREG = 3.3V ext; CP floating		0.5	0.65	mA
$T_{j(WRN)}$	Thermal warning temperature			130		$^\circ\text{C}$
$T_{j(SD)}$	Thermal shutdown temperature			160		$^\circ\text{C}$
Charge pump						
V_{pump}	Voltage swing for charge pump oscillator			10		V
$f_{pump,min}$	Minimum charge pump oscillator frequency ⁽¹⁾			660		kHz
$f_{pump,max}$	Maximum charge pump oscillator frequency ⁽¹⁾			800		kHz
I_{boot}	Average boot current	$f_{sw,A} = f_{sw,B} = 15.6\text{ kHz}$ POW_SR = '10'		1.1	1.4	mA
Output DMOS transistor						
$R_{DS(on)}$	High side switch ON resistance	$T_j = 25\text{ }^\circ\text{C}$, $I_{out} = 3\text{ A}$		0.37		Ω
		$T_j = 125\text{ }^\circ\text{C}$, ⁽²⁾ $I_{out} = 3\text{ A}$		0.51		
	Low side switch ON resistance	$T_j = 25\text{ }^\circ\text{C}$, $I_{out} = 3\text{ A}$		0.18		
		$T_j = 125\text{ }^\circ\text{C}$, ⁽²⁾ $I_{out} = 3\text{ A}$		0.23		
I_{DSS}	Leakage current	OUT = V_S			3.1	mA
		OUT = GND	-0.3			
t_r	Rise time ⁽³⁾	POW_SR = '00', $I_{out} = +1\text{ A}$		100		ns
		POW_SR = '00', $I_{out} = -1\text{ A}$		80		
		POW_SR = '11', $I_{out} = \pm 1\text{ A}$		100		
		POW_SR = '10', $I_{out} = \pm 1\text{ A}$		200		
		POW_SR = '01', $I_{out} = \pm 1\text{ A}$		300		

Table 4. Electrical characteristics (continued)

Symbol	Parameter	Test condition	Min	Typ	Max	Unit
t_f	Fall time ⁽³⁾	POW_SR = '00'; I _{out} = +1A		90		ns
		POW_SR = '00'; I _{out} = -1A		110		
		POW_SR = '11', I _{out} = ±1A		110		
		POW_SR = '10', I _{out} = ±1A		260		
		POW_SR = '01', I _{load} = ±1A		375		
SR _{out_r}	Output rising slew-rate	POW_SR = '00', I _{out} = +1A		285		V/μs
		POW_SR = '00', I _{out} = -1A		360		
		POW_SR = '11', I _{out} = ±1A		285		
		POW_SR = '10', I _{out} = ±1A		150		
		POW_SR = '01', I _{out} = ±1A		95		
SR _{out_f}	Output falling slew-rate	POW_SR = '00', I _{out} = +1A		320		V/μs
		POW_SR = '00', I _{out} = -1A		260		
		POW_SR = '11', I _{out} = ±1A		260		
		POW_SR = '10', I _{out} = ±1A		110		
		POW_SR = '01', I _{out} = ±1A		75		
Dead time and blanking						
t_{DT}	Dead time	POW_SR = '00'		250		ns
		POW_SR = '11', f _{OSC} = 16MHz		375		
		POW_SR = '10', f _{OSC} = 16MHz		625		
		POW_SR = '01', f _{OSC} = 16MHz		875		
t_{blank}	Blanking time	POW_SR = '00'		250		ns
		POW_SR = '11', f _{OSC} = 16MHz		375		
		POW_SR = '10', f _{OSC} = 16MHz		625		
		POW_SR = '01', f _{OSC} = 16MHz		875		
Source-drain diodes						
V _{SD,HS}	High side diode forward ON voltage	I _{out} = 1 A		1	1.1	V
V _{SD,LS}	Low side diode forward ON voltage	I _{out} = 1 A		1	1.1	V
t _{rrHS}	High side diode reverse recovery time	I _{out} = 1 A		30		ns
t _{rrLS}	Low side diode reverse recovery time	I _{out} = 1 A		100		ns

Table 4. Electrical characteristics (continued)

Symbol	Parameter	Test condition	Min	Typ	Max	Unit
Logic inputs and outputs						
V_{IL}	Low level logic input voltage				0.8	V
V_{IH}	High level logic input voltage		2			V
I_{IH}	High level logic input current ⁽⁴⁾	$V_{IN} = 5\text{ V}$			1	μA
I_{IL}	Low level logic input current ⁽⁵⁾	$V_{IN} = 0\text{ V}$	-1			μA
V_{OL}	Low level logic output voltage ⁽⁶⁾	$V_{DD} = 3.3\text{ V},$ $I_{OL} = 4\text{ mA}$			0.3	V
		$V_{DD} = 5\text{ V},$ $I_{OL} = 4\text{ mA}$			0.3	
V_{OH}	High level logic output voltage	$V_{DD} = 3.3\text{ V},$ $I_{OH} = 4\text{ mA}$	2.4			V
		$V_{DD} = 5\text{ V},$ $I_{OH} = 4\text{ mA}$	4.7			
R_{PU} R_{PD}	CS Pull-up and STBY pull-down resistors	$\overline{CS} = \text{GND};$ $\overline{STBY}/\overline{RST} = 5\text{ V}$	335	430	565	$\text{k}\Omega$
I_{logic}	Internal logic supply current	3.3 V V_{REG} externally supplied, internal oscillator		3.7	4.3	mA
$I_{logic,STBY}$	Standby mode internal logic supply current	3.3 V V_{REG} externally supplied		2	2.5	μA
f_{STCK}	Step clock input frequency				2	MHz
Internal oscillator and external oscillator driver						
$f_{osc,i}$	Internal oscillator frequency	$T_j = 25^\circ\text{C},$ $V_{REG} = 3.3\text{ V}$	-3%	16	+3%	MHz
$f_{osc,e}$	Programmable external oscillator frequency		8		32	MHz
$V_{OSCOOUTH}$	OSCOOUT clock source high level voltage	Internal oscillator 3.3 V V_{REG} externally supplied; $I_{OSCOOUT} = 4\text{ mA}$	2.4			V
$V_{OSCOOUTL}$	OSCOOUT clock source low level voltage	Internal oscillator 3.3 V V_{REG} externally supplied; $I_{OSCOOUT} = 4\text{ mA}$			0.3	V
$t_{rOSCOOUT}$ $t_{fOSCOOUT}$	OSCOOUT clock source rise and fall time	Internal oscillator		TBD		ns
t_{extosc}	Internal to external oscillator switching delay			TBD		ms
t_{intosc}	External to internal oscillator switching delay			TBD		μs
SPI						
$f_{CK,MAX}$	Maximum SPI clock frequency ⁽⁷⁾		5			MHz
t_{rCK} t_{fCK}	SPI clock rise and fall time ⁽⁵⁾			TBD		μs

Table 4. Electrical characteristics (continued)

Symbol	Parameter	Test condition	Min	Typ	Max	Unit
t_{hCK} t_{lCK}	SPI clock high and low time ⁽⁵⁾			TBD		ns
t_{setCS}	Chip select setup time ⁽⁵⁾			TBD		ns
t_{holCS}	Chip select hold time ⁽⁵⁾			TBD		ns
t_{disCS}	Deselect time ⁽⁵⁾			TBD		ns
t_{setSDI}	Data input setup time ⁽⁵⁾			TBD		ns
t_{hoSDI}	Data input hold time ⁽⁵⁾			TBD		ns
t_{enSDO}	Data output enable time ⁽⁵⁾			TBD		ns
t_{disSDO}	Data output disable time ⁽⁵⁾			TBD		ns
t_{vSDO}	Data output valid time ⁽⁵⁾			TBD		ns
t_{hoSDO}	Data output hold time ⁽⁵⁾			TBD		ns
Switch input (SW)						
R_{PUSW}	SW input pull-up resistance	SW = GND	60	85	110	k Ω
PWM modulators						
f_{PWM}	Programmable PWM frequency ⁽¹⁾	$f_{osc} = 16\text{MHz}$	2.8		62.5	kHz
		$f_{osc} = 32\text{MHz}$	5.6		125	
N_{PWM}	PWM resolution			8		bit
Overcurrent protection						
OCD_th _{MAX}	Maximum programmable overcurrent detection threshold	OCD_TH = '1111'		6		A
OCD_th _{MIN}	Minimum programmable overcurrent detection threshold	OCD_TH = '0000'		0.375		A
OCD_th _{RES}	Programmable overcurrent detection threshold resolution			0.375		A
$t_{OCD,Flag}$	OCD to Flag signal delay time	$di_{out}/dt = 350\text{A}/\mu\text{s}$, $R_{FLAG} = \text{TBD}$		650	1000	ns
$t_{OCD,SD}$	OCD to shut-down delay time	$di_{out}/dt = 350\text{A}/\mu\text{s}$ POW_SR = '10'		600		μs
V_{FLAG} , V_{BUSY}	Open drain low level output voltage	$I_{od} = 4\text{mA}$			0.3	V
Standby						
I_{qSTBY}	Quiescent motor supply current in standby conditions	$V_S = 8\text{V}$		26	34	μA
		$V_S = 36\text{V}$		30	36	
$t_{STBY,min}$	Minimum standby time			10		μs
$t_{logicwu}$	Logic power-on and wake-up time			38	45	μs

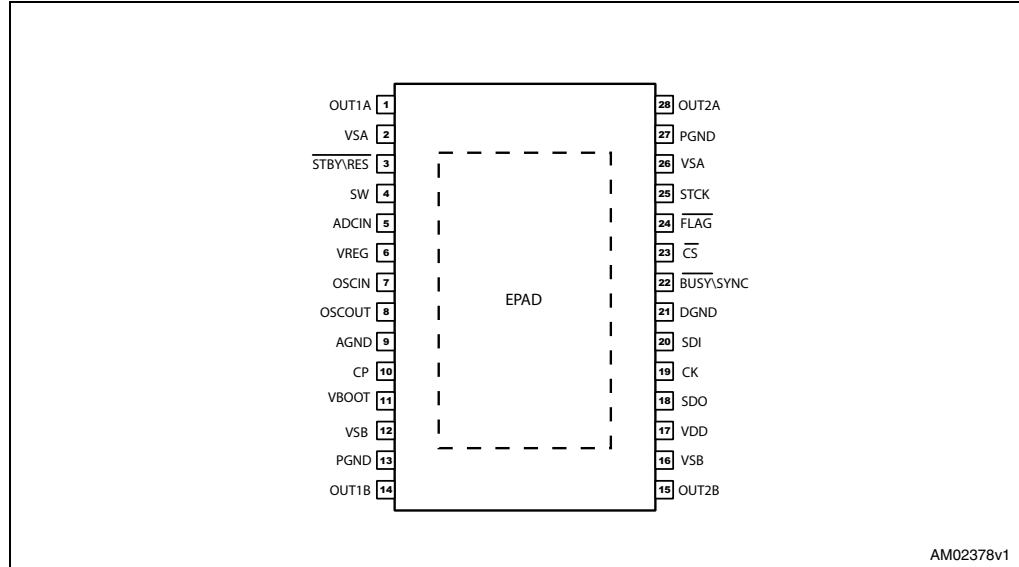
Table 4. Electrical characteristics (continued)

Symbol	Parameter	Test condition	Min	Typ	Max	Unit
t_{cpwu}	Charge pump power-on and wake-up time	Power bridges disabled, $C_p = 10nF$, $C_{boot} = 220nF$		650		μs
Internal voltage regulator						
V_{REG}	Voltage regulator output voltage		2.9	3	3.2	V
I_{REG}	Voltage regulator output current				40	mA
$V_{REG, drop}$	Voltage regulator output voltage drop	$I_{REG} = 40mA$		50		mV
$I_{REG, STBY}$	Voltage regulator standby output current				10	mA
Integrated analog to digital converter						
N_{ADC}	Analog to digital converter resolution			5		bit
$V_{ADC, ref}$	Analog to digital converter reference voltage			V_{REG}		V
f_s	Analog to digital converter sampling frequency			f_{PWM}		kHz

1. Accuracy depends on oscillator frequency accuracy.
2. Tested at 25°C in a restricted range and guaranteed by characterization.
3. Rise and fall time depends on motor supply voltage value. Refer to SR_{out} values in order to evaluate the actual rise and fall time.
4. Not valid for $\overline{STBY/RST}$ pin which have internal pull-down resistor.
5. Not valid for SW and CS pins which have internal pull-up resistor
6. \overline{FLAG} , \overline{BUSY} and \overline{SYNC} open drain outputs included.
7. See [Figure 16](#)– SPI timings diagram for details.

4 Pin connection

Figure 2. Pin connection (top view)



4.1 Pin list

Table 5. Pin description

N.	Name	Type	Function
17	VDD	Power	Logic outputs supply voltage (pull-up reference)
6	VREG	Power	Internal 3 V voltage regulator output and 3.3 V external logic supply
7	OSCIN	Analog input	Oscillator pin 1. To connect an external oscillator or clock source. If this pin is UNUSED, it should be connected to ground.
8	OSCOUT	Analog output	Oscillator pin 2. To connect an external oscillator. When the internal oscillator is used this pin can supply a 2/4/8/16 MHz. If this pin is UNUSED, it should be left floating.
10	CP	Output	Charge pump oscillator output
11	VBOOT	Supply voltage	Bootstrap voltage needed for driving the high side power DMOS of both bridges (A and B)
5	ADCIN	Analog input	Internal analog to digital converter input
2	VSA	Power supply	Full bridge A power supply pin. must be connected to V _{SB}
26			

Table 5. Pin description (continued)

N.	Name	Type	Function
12	VSB	Power supply	Full bridge B power supply pin. must be connected to V_{SA}
16			
27	PGND	Ground	Power ground pin
13			
1	OUT1A	Power output	Full bridge A output 1
28	OUT2A	Power output	Full bridge A output 2
14	OUT1B	Power output	Full bridge B output 1
15	OUT2B	Power output	Full bridge B output 2
9	AGND	Ground	Analog ground.
4	SW	Logical input	External switch input pin. If not used the pin should be connected to VDD.
21	DGND	Ground	Digital ground
22	$\overline{\text{BUSY}}\text{SYNC}$	Open drain output	By default this BUSY pin is forced low when the device is performing a command. Otherwise the pin can be configured to generate a synchronization signal.
18	SDO	Logic output	Data output pin for serial interface
20	SDI	Logic input	Data input pin for serial interface
19	CK	Logic input	Serial interface clock
23	$\overline{\text{CS}}$	Logic input	Chip Select input pin for serial interface
24	$\overline{\text{FLAG}}$	Open drain output	Status Flag pin. An internal open drain transistor can pull the pin to GND when a programmed alarm condition occurs (step loss, OCD, thermal pre-warning or shutdown, UVLO, wrong command, non performable command)
3	$\overline{\text{STBY}}\text{RST}$	Logic input	Standby and reset pin. LOW logic level reset the logic and puts the device in standby mode. If not used, should be connected to VDD
25	STCK	Logic input	Step clock input
EPAD	Exposed pad	Ground	Internally connected to PGND, AGND and DGND pins

6 Functional description

6.1 Device power-up

At power-up end, the device state is the following:

- Registers are set to default,
- Internal logic is driven by internal oscillator and a 2MHz clock is provided by OSCOUT pin,
- Bridges are disabled (High Z),
- UVLO bit in STATUS register is forced low (fail condition),
- FLAG output is forced low

During power-up the device is under reset (all logic IO disabled and power bridges in high impedance state) until the following conditions are satisfied:

- V_S is greater than V_{StHOn} ,
- V_{REG} is greater than V_{REGth} ,
- Internal oscillator is operative.

Any motion command makes the device exiting from High Z state (HardStop and SoftStop included).

6.2 Logic I/O

Pins \overline{CS} , CK, SDI, STCK, SW and $\overline{STBY}\overline{RST}$ are TTL/CMOS 3.3V-5V compatible logic inputs.

Pin SDO is a TTL/CMOS compatible logic output. VDD pin voltage sets the logic output pin voltage range; when it is connected to VREG or 3.3V external supply voltage, the output is 3.3V compatible. When VDD is connected to a 5V supply voltage, SDO is 5V compatible.

VDD is not internally connected to V_{REG} , an external connection is always needed.

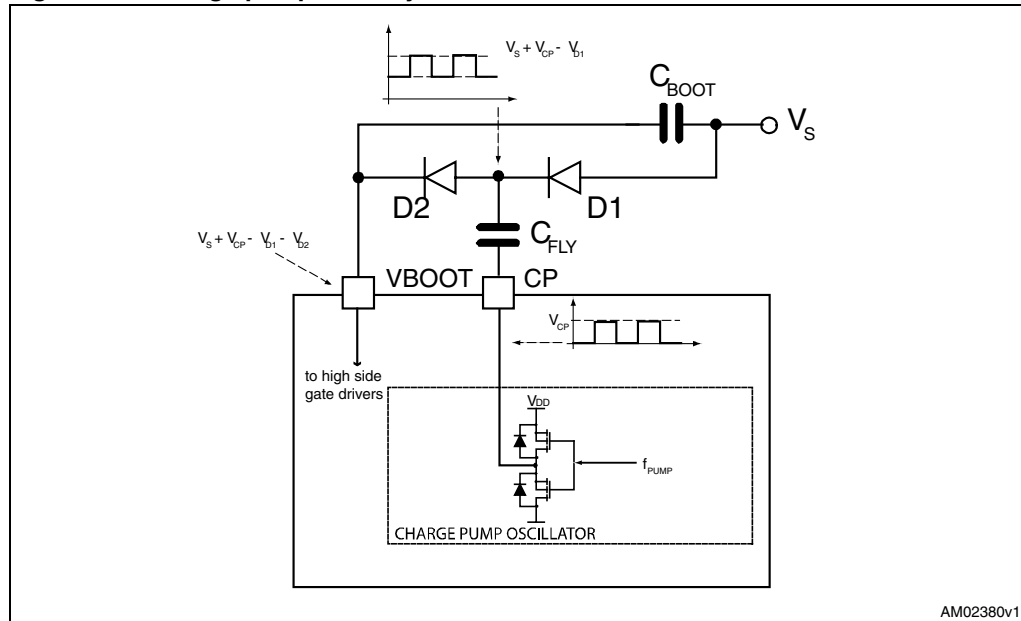
A 10 μ F capacitor should be connected to V_{DD} pin in order to obtain a proper operation.

Pins \overline{FLAG} and $\overline{BUSY}\overline{SYNC}$ are open drain outputs.

6.3 Charge pump

To ensure the correct driving of the high side integrated mosfets a voltage higher than the motor power supply voltage needs to be applied to the VBOOT pin. The high side gate driver supply voltage V_{boot} is obtained through an oscillator and a few external components realizing a charge pump (see [Figure 4](#)).

Figure 4. Charge pump circuitry

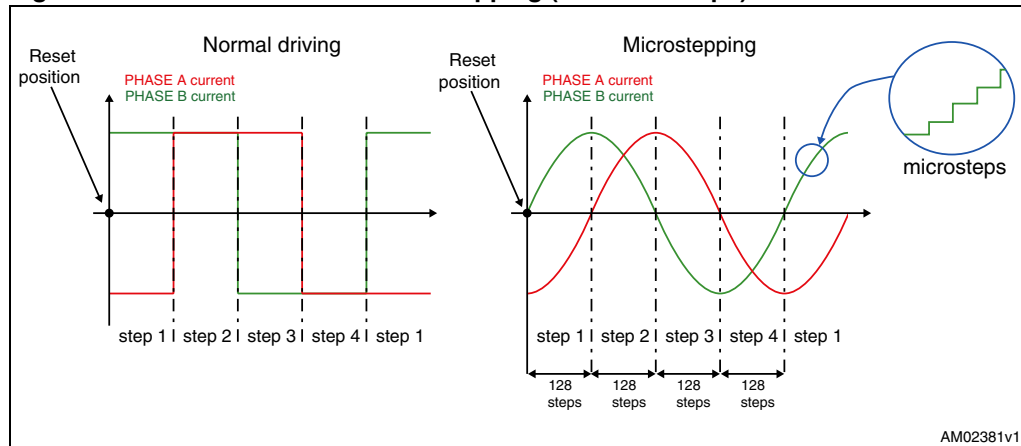


6.4 Microstepping

The driver is able to divide the single step into up to 128 microsteps. Stepping mode can be programmed by STEP_SEL parameter in STEP_MODE register (see [Table 17](#)).

Step mode can be only changed when motor is stopped. Every time the step mode is changed the electrical position (i.e. the point of microstepping sinewave that is generated) is reset to first microstep and the absolute position counter value (see [Section 6.5](#)) becomes meaningless.

Figure 5. Normal mode and microstepping (128 microsteps)



When motor speed is greater than a programmable full step speed threshold, the L6470 switches automatically to full-step mode; the driving mode returns to microstepping when motor speed decrease below the full step speed threshold. Full step speed threshold is set through the FS_SPD register (see [Section 9.1.9](#)).

6.5 Absolute position counter

An internal 22 bit register (ABS_POS) takes memory of motor motion according to the selected step mode; the stored value unit is equal to the selected step mode (full, half, quarter, etc.). The position range is from -2^{21} to $+2^{21}-1$ (μ)steps (see [Section 9.1.1](#)).

6.6 Programmable speed profiles

The user can easily program a customized speed profile defining independently acceleration, deceleration, maximum and minimum speed values by ACC, DEC, MAX_SPEED and MIN_SPEED registers respectively (see [Section 9.1.5](#), [9.1.6](#), [9.1.7](#) and [9.1.8](#)).

When a command is sent to the device, the integrated logic generates the microstep frequency profile that performs a motor motion compliant to speed profile boundaries.

All acceleration parameters are expressed in step/tick^2 and all speed parameters are expressed in step/tick ; the unit of measure does not depend on selected step mode. Acceleration and deceleration parameters range from 2^{-40} to $(2^{12}-2) \cdot 2^{-40}$ step/tick^2 (equivalent to 14.55 to 59590 step/s^2).

Minimum speed parameter ranges from 0 to $(2^{12}-1) \cdot 2^{-24}$ step/tick (equivalent to 0 to 976.3 step/s).

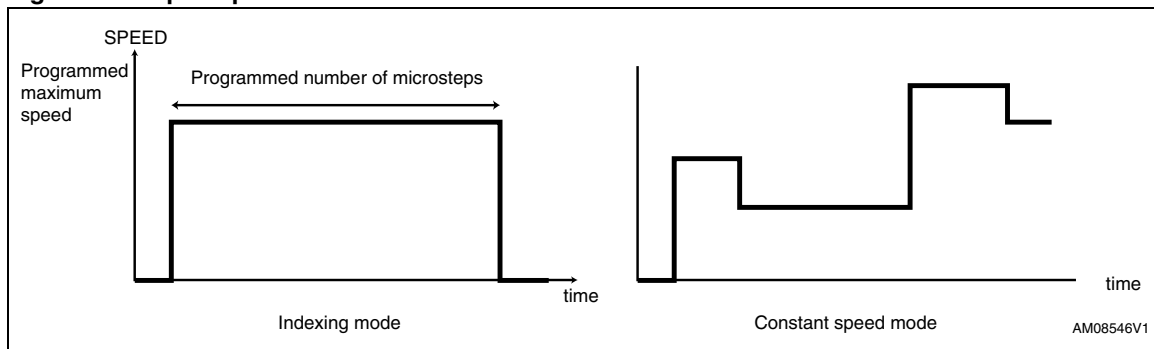
Maximum speed parameter ranges from 2^{-18} to $(2^{10}-1) \cdot 2^{-18}$ step/tick (equivalent to 15.25 to 15610 step/s).

6.6.1 Infinite acceleration/deceleration mode

When ACC register value is set to max (0xFF), system works in “infinite acceleration mode”: acceleration and deceleration phases are totally skipped as shown in [Figure 6](#).

It is not possible to skip the acceleration or deceleration phase independently.

Figure 6. Speed profile in infinite acceleration/deceleration mode



6.7 Motor control commands

The L6470 can accept different types of commands:

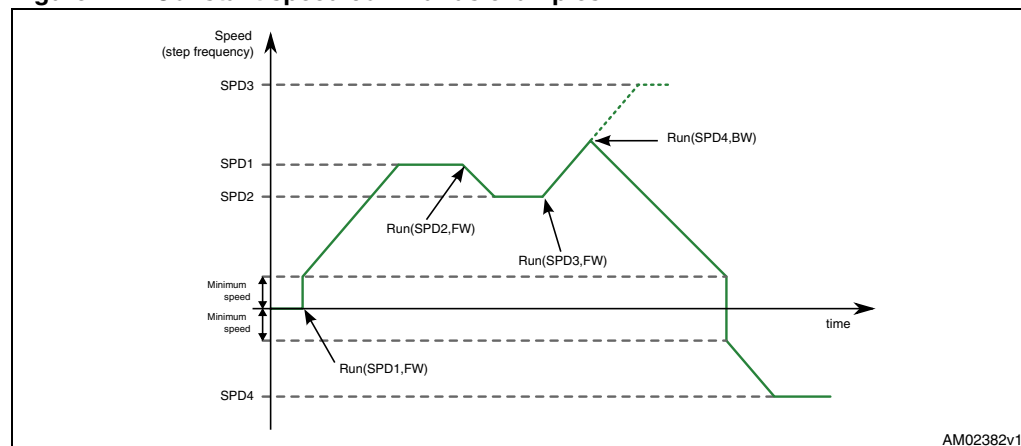
- constant speed commands (Run, GoUntil, ReleaseSW),
- absolute positioning commands (GoTo, GoTo_DIR, GoHome, GoMark),
- motion commands (Move),
- stop commands (SoftStop, HardStop, SoftHiz, HardHiz).

For detailed command descriptions refer to [Section 9.2 on page 52](#).

6.7.1 Constant speed commands

A constant speed command produces a motion in order to reach and maintain a user-defined target speed starting from the programmed minimum speed (set in MIN_SPEED register) and with the programmed acceleration/deceleration value (set in ACC and DEC registers). A new constant speed command can be requested anytime.

Figure 7. Constant speed commands examples

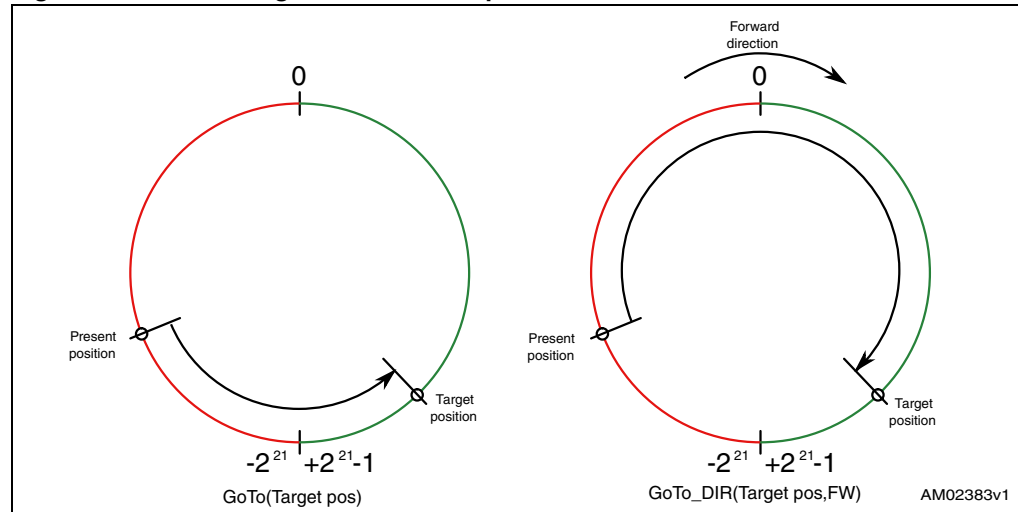


6.7.2 Positioning commands

An absolute positioning command produces a motion in order to reach a user-defined position that is sent to the device together with the command. The position can be reached performing the minimum path (minimum physical distance) or forcing a direction (see [Figure 8](#)).

Performed motor motion is compliant to programmed speed profile boundaries (acceleration, deceleration, minimum and maximum speed).

Note that with some speed profiles or positioning commands, the deceleration phase can start before the maximum speed is reached.

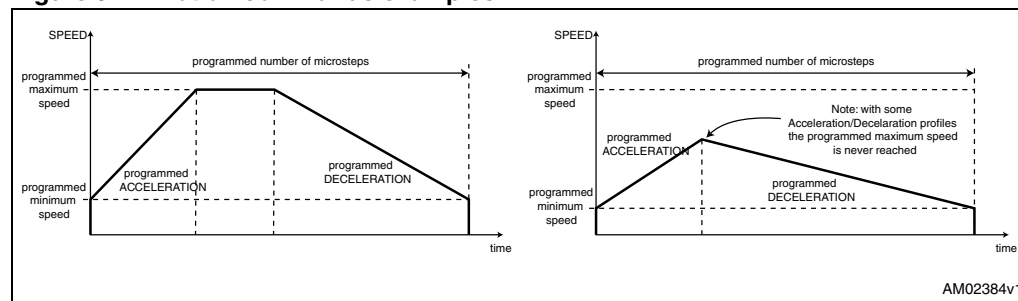
Figure 8. Positioning command examples

6.7.3 Motion commands

Motion commands produce a motion in order to perform a user-defined number of microsteps in a user-defined direction that are sent to the device together with the command (see [Figure 9](#)).

Performed motor motion is compliant to programmed speed profile boundaries (acceleration, deceleration, minimum and maximum speed).

Note that with some speed profiles or motion commands, the deceleration phase can start before the maximum speed is reached.

Figure 9. Motion commands examples

6.7.4 Stop commands

A stop command forces the motor to stop. Stop commands can be sent anytime.

SoftStop command causes the motor to decelerate with programmed deceleration value until MIN_SPEED value is reached and then stops the motor keeping the rotor position (a holding torque is applied).

HardStop command stops the motor instantly ignoring deceleration constrain and keeping the rotor position (a holding torque is applied).

SoftHiZ command causes the motor to decelerate with programmed deceleration value until MIN_SPEED value is reached and then forces the bridges in high impedance state (no holding torque is present).

HardHiZ command instantly forces the bridges in high impedance state (no holding torque is present).

6.7.5 Step-clock mode

In step clock mode the motor motion is defined by the step clock signal applied to STCK pin. At each step clock rising edge, the motor is moved of one microstep in the programmed direction and absolute position is consequently updated.

When the system is in step clock mode the SCK_MOD flag in STATUS register is raised, SPEED register is set to zero and motor status is considered stopped whatever the STCK signal frequency (MOT_STATUS parameter in STATUS register equal to "00").

6.8 Internal oscillator and oscillator driver

The control logic clock can be supplied by the internal 16 MHz oscillator, an external oscillator (crystal or ceramic resonator) or a direct clock signal.

These working modes can be selected by EXT_CLK and OSC_SEL parameters in the CONFIG register (see [Table 22](#)).

At power-up the device starts using the internal oscillator and provides a 2 MHz clock signal on the OSCOUT pin.

Attention: In any case, before changing clock source configuration, a hardware reset is mandatory.

6.8.1 Internal oscillator

In this mode the internal oscillator is activated and OSCIN is unused. If OSCOUT clock source is enabled, OSCOUT pin provides a 2, 4, 8 or 16 MHz clock signal (according to OSC_SEL value); otherwise it is unused (see [Figure 10](#)).

6.8.2 External clock source

Two types of external clock source can be selected: crystal/ceramic resonator or direct clock source. Four programmable clock frequencies are available for each external clock source: 8, 16, 24 and 32 MHz.

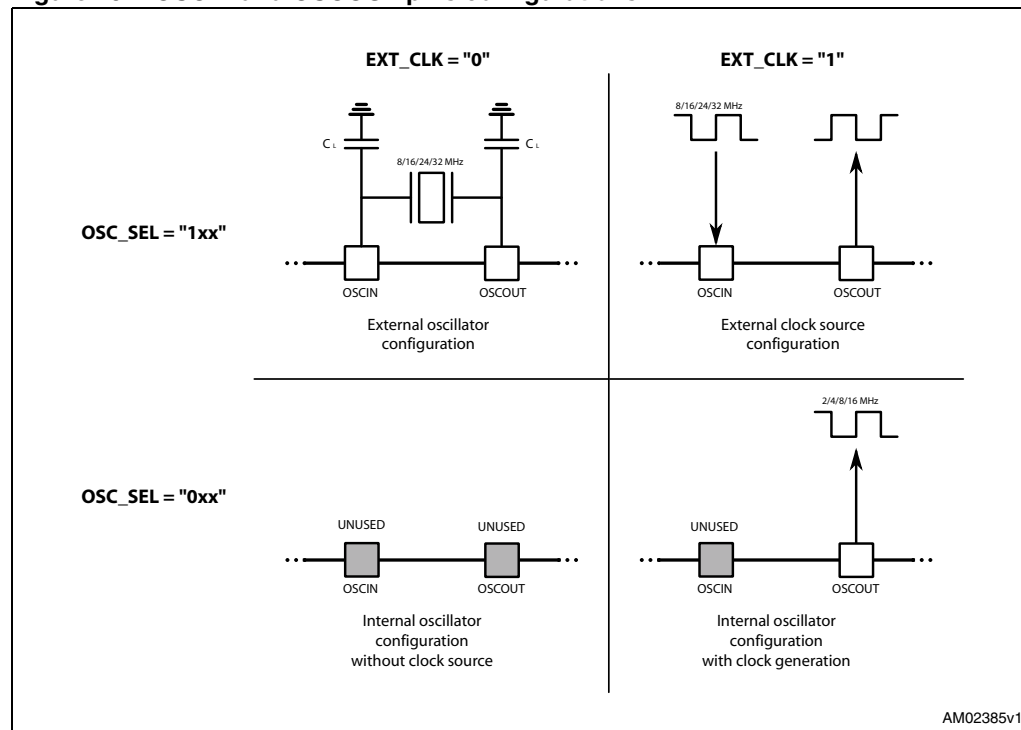
When an external crystal/resonator is selected, OSCIN and OSCOUT pins are used to drive the crystal/resonator (see [Figure 10](#)). Crystal/resonator and load capacitors (C_L) must be placed as close as possible to the pins. Refer to [Table 7](#) for the choice of the load capacitor value according to the external oscillator frequency.

Table 7. CL values according to external oscillator frequency

Crystal/resonator freq. ⁽¹⁾	C _L ⁽²⁾
8MHz	25pF (ESR _{max} = 80Ω)
16MHz	18pF (ESR _{max} = 50Ω)
24MHz	15pF (ESR _{max} = 40Ω)
32MHz	10pF (ESR _{max} = 40Ω)

1. First harmonic resonance frequency.
2. Lower ESR value allows driving greater load capacitors.

If a direct clock source is used, it must be connected to OSCIN pin and OSCOUT pin supplies the inverted OSCIN signal (see [Figure 10](#)).

Figure 10. OSCIN and OSCOUT pins configurations

Note: When OSCIN is UNUSED, it should be connected to ground.
When OSCOUT is UNUSED it should be left floating.

6.9 Overcurrent detection

When the current in any of the power MOSFETs exceeds a programmed overcurrent threshold, STATUS register OCD flag is forced low until the overcurrent event is expired and a GetStatus command is sent to the IC (see paragraphs [9.1.22](#) and [9.1.17](#)). Overcurrent event expires when all the power MOSFET currents fall below the programmed overcurrent threshold.

The overcurrent threshold can be programmed through the OCD_TH register in one of 16 available values ranging from 375 mA to 6 A with steps of 375 mA (see [Table 8](#), paragraph [9.1.17](#)).

It is possible to set if an overcurrent event causes or not the MOSFETs turn-off (bridges in high impedance status) acting on OC_SD bit in the CONFIG register (see paragraph [9.1.21](#)). The OCD flag in the STATUS register is raised anyway (see [Table 33](#), paragraph [9.1.22](#)).

6.10 Undervoltage lock-out (UVLO)

The L6470 provides a motor supply UVLO protection. When the motor supply voltage falls below the V_{SthOff} threshold voltage, STATUS register UVLO flag is forced low. When a GetStatus command is sent to the IC, and the undervoltage condition is expired, the UVLO flag is released (see paragraphs [9.1.22](#) and [9.2.20](#)). Undervoltage condition expires when the motor supply voltage goes over the V_{SthOn} threshold voltage. When the device is in undervoltage condition no motion command can be performed. UVLO flag is forced low by logic reset (power-up included) even if no UVLO condition is present.

6.11 Thermal warning and thermal shutdown

An internal sensor allows the L6470 to detect when the device internal temperature exceeds a thermal warning or an overtemperature threshold.

When the thermal warning threshold ($T_{j(WRN)}$) is reached the TH_WRN bit in the STATUS register is forced low (see paragraph [9.1.22](#)) until the temperature decrease below $T_{j(WRN)}$ and a GetStatus command is sent to the IC (see paragraphs [9.1.22](#) and [9.2.20](#)).

When the thermal shutdown threshold ($T_{j(OFF)}$) is reached the device goes in thermal shutdown condition: the TH_SD bit in the STATUS register is forced low, the power bridges are disabled bridges in high impedance state and the HiZ bit in the STATUS register is raised (see paragraph [9.1.22](#)).

Thermal shutdown condition only expires when the temperature goes below the thermal warning threshold ($T_{j(WRN)}$).

On exit from thermal shutdown condition the bridges are still disabled (HiZ flag high); whichever motion command makes the device exiting from High Z state (HardStop and SoftStop included).

6.12 Reset and standby

The device can be reset and put into standby mode through a dedicated pin. When $\overline{STBY\backslash RST}$ pin is driven low, the bridges are left open (High Z state), the internal charge pump is stopped, the SPI interface and control logic are disabled and the internal 3 V voltage regulator maximum output current is reduced to $I_{REG,STBY}$; as a result the L6470 heavily reduces the power consumption. At the same time the registers values are reset to default and all protection functions are disabled. $\overline{STBY\backslash RST}$ input has to be forced low at least for $t_{STBY,min}$ in order to ensure the complete switch to standby mode.

On exit from standby mode, as well as for IC power-up, a delay of up to $t_{logicwu}$ must be given before applying a new command to allow proper oscillator and logic startup and a delay of up to t_{cpwu} must be given to allow the charge pump startup.

On exit from standby mode the bridges are disabled (HiZ flag high) and whichever motion command makes the device exiting from High Z state (HardStop and SoftStop included).

Caution: It is not recommended to reset device when outputs are active. The device should be switched to high impedance state before being reset.

6.13 External switch (SW pin)

The SW pin sources a current towards an external switch in order to test whether it is CLOSED or OPEN: the SW input is internally pulled-up to V_{DD} and detects if the pin is open or connected to ground (see [Figure 11](#)).

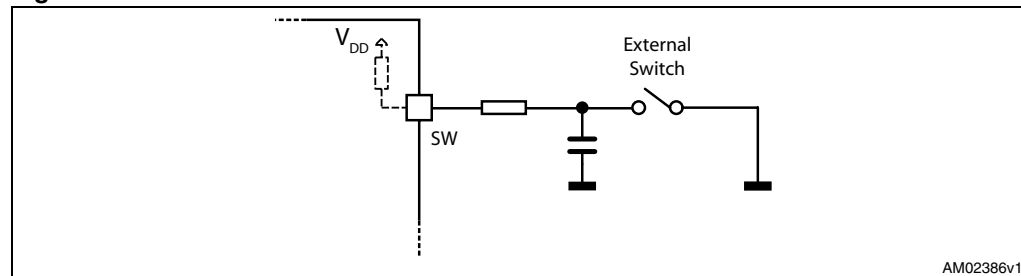
The SW_F bit of STATUS register indicates if the switch is open ('0') or closed ('1') (see paragraph [9.1.22](#)); the bit value is refreshed at every system clock cycle (125 ns). SW_EVN flag of STATUS register is raised when a switch turn-on event (SW input falling edge) is detected (see paragraph [9.1.22](#)). A GetStatus command releases the SW_EVN flag (see paragraph [9.2.20](#)).

By default a switch turn-on event causes a HardStop interrupt (SW_MODE bit of CONFIG register set to '0'). Otherwise (SW_MODE bit of CONFIG register set to '1'), switch input events do not cause interrupts and the switch status information are at user disposal (see [Table 33](#), paragraph [9.1.22](#)).

The switch input can be used by GoUntil and ReleaseSW commands as described in paragraph [9.2.10](#) and [7.3](#).

If the SW input is not used, it should be connected to VDD.

Figure 11. External switch connection



6.14 Programmable DMOS slew-rate, dead-time and blanking-time

Using the POW_SR parameter in the CONFIG register, it is possible to set the commutation speed of the power bridges output (see [Table 25](#), paragraph [9.1.21](#)).

6.15 Integrated analog to digital converter

The L6470 integrates a NADC bit ramp-compare analog to digital converter with a reference voltage equal to VREG. The analog to digital converter input is available through the ADCIN pin and the conversion result is available in the ADC_OUT register (see paragraph [9.1.16](#)).

Sampling frequency is equal to the programmed PWM frequency.

The ADC_OUT value can be used for motor supply voltage compensation or can be at user disposal.

6.16 Internal voltage regulator

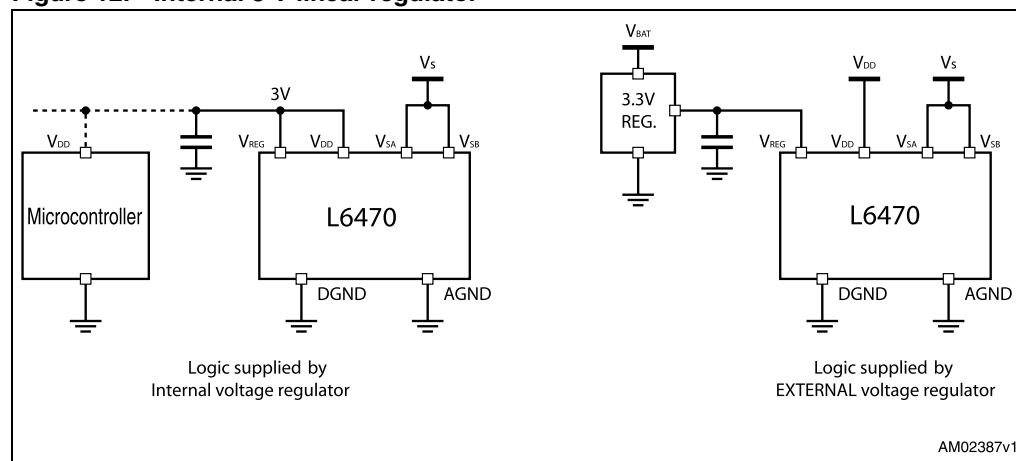
The L6470 integrates a voltage regulator which generates a 3 V voltage starting from motor power supply (VSA and VSB). In order to make the voltage regulator stable, at least 22 μF should be connected between VREG pin and ground (suggested value is 47 μF).

The internal voltage regulator can be used to supply the VDD pin in order to make the device digital output range 3.3 V compatible ([Figure 12](#)). A digital output range 5 V compatible can be obtained connecting VDD pin to an external 5 V voltage source. In both cases, a 10 μF capacitance should be connected to VDD pin in order to obtain a correct operation.

The internal voltage regulator is able to supply a current up to IREG,MAX, internal logic consumption included (Ilogic). When the device is in standby mode the maximum current that can be supplied is IREG, STBY, internal consumption included (Ilogic, STBY).

If an external 3.3 V regulated voltage is available, it can be applied to the VREG pin in order to supply all the internal logic and avoiding power dissipation of the internal 3 V voltage regulator ([Figure 12](#)). External voltage regulator should never sink current from VREG pin.

Figure 12. Internal 3 V linear regulator



6.17 BUSY\SYNC pin

This pin is an open drain output which can be used as busy or synchronization signal according to SYNC_EN bit value (STEP_MODE register).

6.17.1 BUSY operation mode

The pin works as busy signal when SYNC_EN bit is set low (default condition). In this mode the output is forced low while a constant speed, absolute positioning or motion command is under execution. The $\overline{\text{BUSY}}$ pin is released when command has been executed (target speed or target position reached). The STATUS register includes a BUSY flag that is the BUSY pin mirror (see paragraph 9.1.22).

In case of daisy-chain configuration, BUSY pins of different ICs can be hard-wired to save host controller GPIOs.

6.17.2 SYNC operation mode

The pin works as synchronization signal when SYNC_EN bit is set high. In this mode a step clock signal is provided on output according to SYNC_SEL and STEP_SEL parameters combination (see paragraph 9.1.19).

6.18 FLAG pin

By default an internal open drain transistor pulls the $\overline{\text{FLAG}}$ pin to ground when at least one of the following conditions occurs:

- Power-up or standby/reset exit,
- Stall detection on A bridge,
- Stall detection on B bridge,
- Overcurrent detection,
- Thermal warning,
- Thermal shutdown,
- UVLO,
- Switch turn-on event,
- Wrong command,
- Non performable command.

It is possible to mask one or more alarm conditions by programming the ALARM_EN register (see paragraph 9.1.20, Table 20). If the corresponding bit of ALARM_EN register is low, the alarm condition is masked and it does not cause a FLAG pin transition; all other actions imposed by alarm conditions are performed anyway. In case of daisy-chain configuration, $\overline{\text{FLAG}}$ pins of different ICs can be or-wired to save host controller GPIOs.

7 Phase current control

The L6470 controls the phase current applying a sinusoidal voltage to motor windings. Phase current amplitude is not directly controlled but depends on phase voltage amplitude, load torque, motor electrical characteristics and rotation speed. Sinewave amplitude is proportional to the motor supply voltage multiplied by a coefficient (K_{VAL}). K_{VAL} ranges from 0 to 100% and the sinewave amplitude can be obtained through the following formula:

Equation 1

$$V_{OUT} = V_S \cdot K_{VAL}$$

Different K_{VAL} values can be programmed for acceleration, deceleration and constant speed phases and when motor is stopped (HOLD phase) through $KVAL_ACC$, $KVAL_DEC$, $KVAL_RUN$ and $KVAL_HOLD$ registers (see paragraph 9.1.10). $KVAL$ value is calculated according following formula:

Equation 2

$$K_{VAL} = ((K_{VAL_X} + BEMF_COMP) \times VSCOMP \times K_THERM) \times \text{microstep}$$

Where K_{VAL_X} is the starting K_{VAL} value programmed for present motion phase ($KVAL_ACC$, $KVAL_DEC$, $KVAL_RUN$ or $KVAL_HOLD$), $BEMF_COMP$ is the BEMF compensation curve value, $VSCOMP$ and K_THERM are the motor supply voltage and winding resistance compensation factors and microstep is the current microstep value (fraction of target peak current).

L6470 offers various methods to guarantee a stable current value, allowing the compensation of:

- low speed optimization (see paragraph 7.3)
- back electromotive force value (see paragraph 7.4);
- motor supply voltage variation (see paragraph 7.5);
- windings resistance variation (see paragraph 7.6).

7.1 PWM sinewave generators

The two voltage sinewaves applied to stepper motor phases are generated by two PWM modulators.

The PWM frequency (f_{PWM}) is proportional to the oscillator frequency (f_{OSC}) and can be obtained through the following formula:

Equation 3

$$f_{PWM} = \frac{f_{OSC}}{512 \cdot N} \cdot m$$

'N' is the integer division factor and 'm' is the multiplication factor. 'N' and 'm' values can be programmed by F_PWM_INT and F_PWM_DEC parameters in CONFIG register (see Table 27 and Table 28, paragraph 9.1.21).

Available PWM frequencies are listed in paragraph 9.1.21 from Table 29 to Table 32.

7.2 Sensorless stall detection

Depending on motor speed and load angle characteristics, L6470 offers a motor stall condition detection using a programmable current comparator.

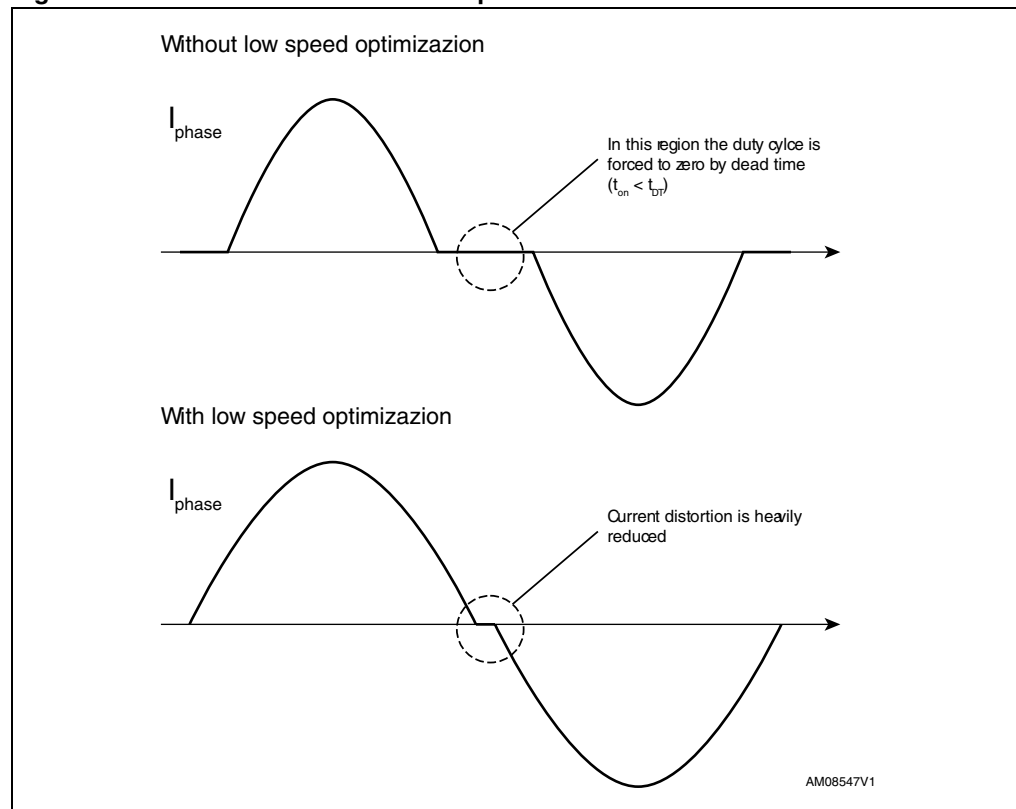
When a stall event occurs, the respective flag (STEP_LOSS_A or STEP_LOSS_B) is forced low until a GetStaus command or a system reset occurs (see paragraph 9.2.20).

7.3 Low speed optimization

When motor is driven at a very low speed using a small driving voltage, the resulting phase current can be distorted. As a consequence, the motor position is different from the ideal one (see Figure 13).

L6470 implements a low speed optimization in order to remove this effect.

Figure 13. Current distortion and compensation



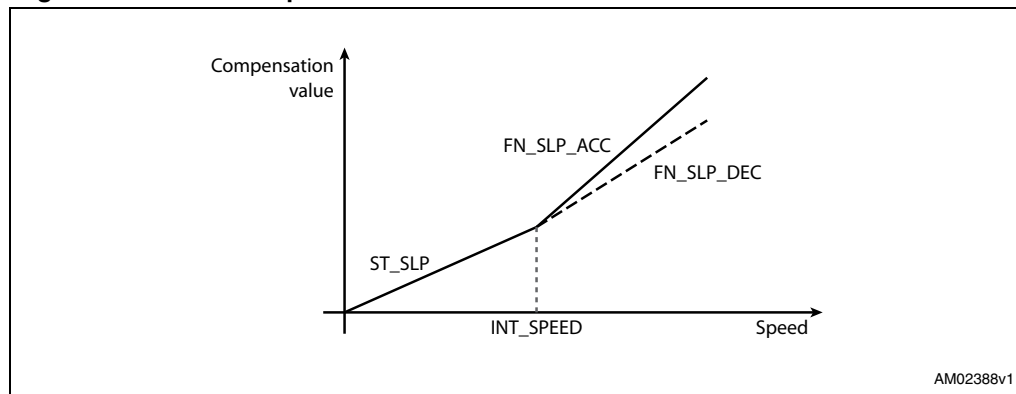
The optimization can be enabled setting high the LSPD_OPT bit in MIN_SPEED register (see paragraph 9.1.8) and is active into speed range from zero to MIN_SPEED. When low speed optimization is enabled, speed profile minimum speed is forced to zero.

7.4 BEMF compensation

Using the speed information, a compensation curve is added to the amplitude of the voltage waveform applied to the motor winding in order to compensate the BEMF variations during acceleration and deceleration (see [Figure 14](#)).

Compensation curve is approximated by a stacked line with a starting slope (ST_SLP) when speed is lower than a programmable threshold speed (INT_SPEED) and a fine slope (FN_SLP_ACC and FN_SLP_DEC) when speed is greater than the threshold speed (see paragraphs [9.1.11](#), [9.1.12](#), [9.1.13](#) and [9.1.14](#)).

Figure 14. BEMF compensation curve



To obtain different current values during acceleration and deceleration phase two different final slope values, and consequently two different compensation curves, can be programmed.

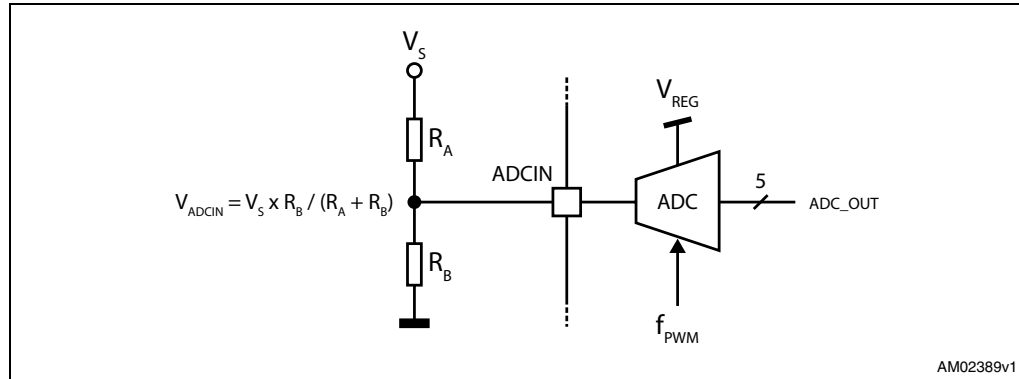
Acceleration compensation curve is applied when the motor runs. No BEMF compensation is applied when the motor is stopped.

7.5 Motor supply voltage compensation

The sinewave amplitude generated by the PWM modulators is directly proportional to the motor supply voltage (V_S). When the motor supply voltage is different from its nominal value, the motor phases are driven with an incorrect voltage. The L6470 can compensate motor supply voltage variations in order to avoid this effect.

The motor supply voltage should be connected to the integrated ADC input through a resistor divider in order to obtain $V_{REG}/2$ voltage at the ADCIN pin when V_S is at its nominal value (see [Figure 15](#)).

The ADC input is sampled at f_S frequency, which is equal to PWM frequency.

Figure 15. Motor supply voltage compensation circuit

Motor supply voltage compensation can be enabled setting high the EN_VSCOMP bit of the CONFIG register (see [Table 21](#), paragraph [9.1.21](#)). If EN_VSCOMP bit is low the compensation is disabled and the internal analog to digital converter is at user disposal; sampling rate is always equal to PWM frequency.

7.6 Winding resistance thermal drift compensation

The higher is the winding resistance the greater is the voltage to be applied in order to obtain the same phase current.

The L6470 integrates a register (K_THERM) which can be used to compensate phase resistance increment due by temperature rising.

The value in K_THERM register (see paragraph [9.1.15](#)) multiplies duty cycle value allowing to face higher phase resistance value.

The compensation algorithm and the eventual motor temperature measurement should be implemented by microcontroller firmware.

8 Serial interface

The integrated 8bit serial peripheral interface (SPI) is used for a synchronous serial communication between the host microprocessor (always master) and the L6470 (always slave).

The SPI uses chip select (\overline{CS}), serial clock (CK), serial data input (SDI) and serial data output (SDO) pins. When \overline{CS} is high the device is unselected and the SDO line is inactive (high-impedance).

The communication starts when \overline{CS} is forced low. The CK line is used for synchronization of data communication.

All commands and data bytes are shifted into the device through the SDI input, most significant bit first. The SDI is sampled on the rising edges of the CK.

All output data bytes are shifted out of the device through the SDO output, most significant bit first. The SDO is latched on the falling edges of the CK. When a return value from the device is not available, an all zero byte is sent.

After each byte transmission the \overline{CS} input must be raised and be kept high for at least t_{disCS} in order to allow the device to decode the received command and put into the shift register the return value.

All timing requirements are shown in [Figure 16](#) (see respective electrical characteristics section for values).

Multiple devices can be connected in daisy-chain configuration, as shown in [Figure 17](#).

Figure 16. SPI timings diagram

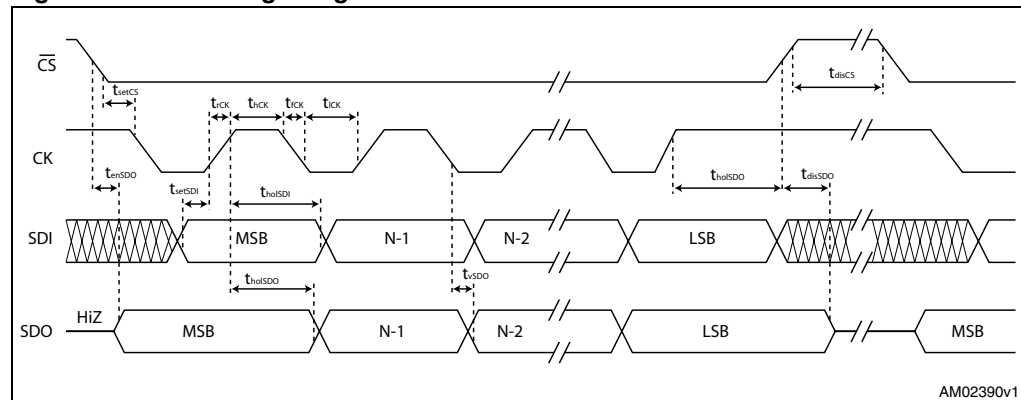
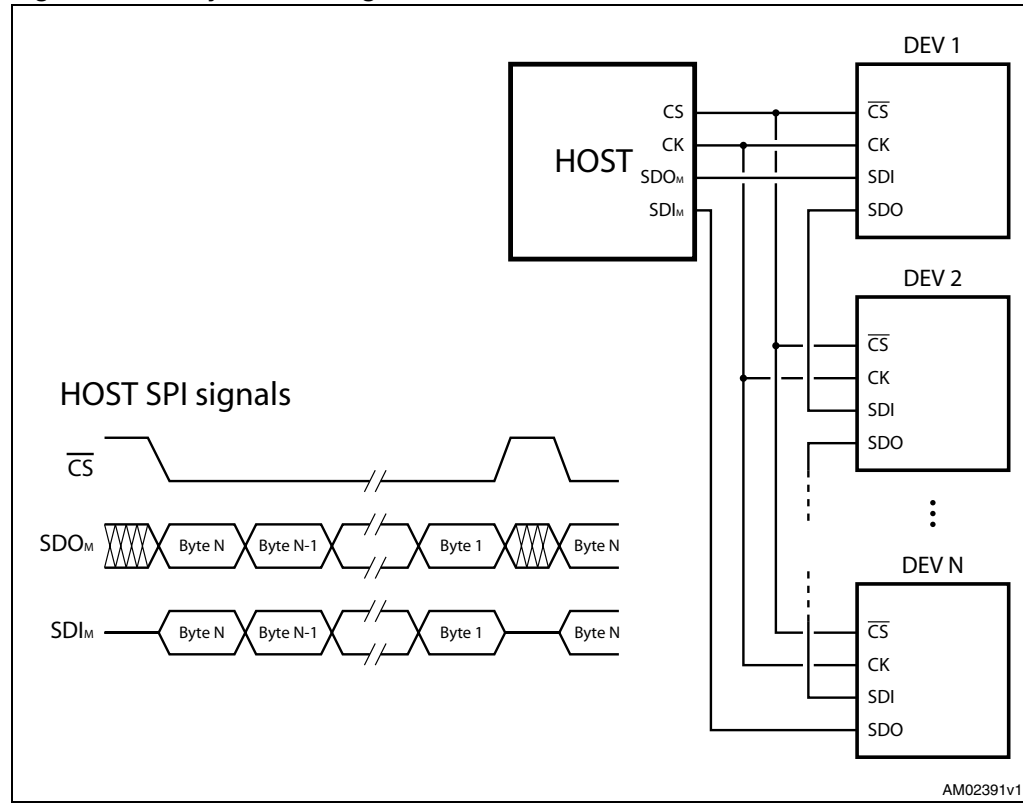


Figure 17. Daisy-chain configuration



9 Programming manual

9.1 Registers and flags description

Following a map of the user registers available (detailed description in respective paragraphs):

Table 8. Registers map

Address [Hex]	Register name	Register function	Len. [bit]	Reset Hex	Reset Value	Remarks (1)
h01	ABS_POS	Current position	22	000000	0	R, WS
h02	EL_POS	Electrical position	9	000	0	R, WS
h03	MARK	Mark position	22	000000	0	R, WR
h04	SPEED	Current speed	20	000000	0 step/tick (0 step/s)	R
h05	ACC	Acceleration	12	08A	125.5e-12 step/tick ² (2008 step/s ²)	R, WS
h06	DEC	Deceleration	12	08A	125.5e-12 step/tick ² (2008 step/s ²)	R, WS
h07	MAX_SPEED	Maximum speed	10	041	248e-6 step/tick (991.8 step/s)	R, WR
h08	MIN_SPEED	Minimum speed	13	000	0 step/tick (0 step/s)	R, WS
h15	FS_SPD	Full step speed	10	027	150.7e-6 step/tick (602.7 step/s)	R, WR
h09	KVAL_HOLD	Holding K _{VAL}	8	29	0.16-VS	R, WR
h0A	KVAL_RUN	Constant speed K _{VAL}	8	29	0.16-VS	R, WR
h0B	KVAL_ACC	Acceleration starting K _{VAL}	8	29	0.16-VS	R, WR
h0C	KVAL_DEC	Deceleration starting K _{VAL}	8	29	0.16-VS	R, WR
h0D	INT_SPD	Intersect speed	14	0408	61.5e-6 step/tick (246 step/s)	R, WH
h0E	ST_SLP	Start slope	8	19	0.038% s/step	R, WH
h0F	FN_SLP_ACC	Acceleration final slope	8	29	0.063% s/step	R, WH
h10	FN_SLP_DEC	Deceleration final slope	8	29	0.063% s/step	R, WH
h11	K_THERM	Thermal compensation factor	4	0	1.0	R, WR
h12	ADC_OUT	ADC output	5	XX ⁽²⁾		R
h13	OCD_TH	OCD threshold	4	8	3.38A	R, WR
h14	STALL_TH	STALL threshold	7	40	2.03A	R, WR
h16	STEP_MODE	Step mode	8	7	128 microsteps	R, WH
h17	ALARM_EN	Alarms enables	8	FF	All alarms enabled	R, WS

Table 8. Registers map (continued)

Address [Hex]	Register name	Register function	Len. [bit]	Reset Hex	Reset Value	Remarks (1)
h18	CONFIG	IC configuration	16	2E88	Internal oscillator, 2MHz OSCOUT clock, supply voltage compensation disabled, overcurrent shutdown enabled, slew-rate = 290 V/μs PWM frequency = 15.6kHz.	R, WH
h19	STATUS	Status	16	XXXX ⁽²⁾	High impedance state, UVLO/Reset flag set.	R
h1A	RESERVED	Reserved address				
h1B	RESERVED	Reserved address				

1. R: Readable, WH: writable only when outputs are in high impedance, WS: writable only when motor is stopped, WR: always writable.

2. According to startup conditions.

9.1.1 ABS_POS

The ABS_POS register contains the current motor absolute position in agreement to the selected step mode; the stored value unit is equal to the selected step mode (full, half, quarter, etc.). The value is in two's complement format and it ranges from -2^{21} to $+2^{21}-1$.

At power-on the register is initialized to "0" (HOME position).

Any attempt to write the register when the motor is running causes the command to be ignored and the NOTPERF_CMD flag to rise (see paragraph 9.1.22).

9.1.2 EL_POS

The EL_POS register contains the current electrical position of the motor. The two MSbits indicate the current step and the other bits indicate the current microstep (expressed in step/128) within the step.

Table 9. EL_POS register

Bit 8	Bit 7	Bit 6	Bit 5	Bit 4	Bit 3	Bit 2	Bit 1	Bit 0
STEP		MICROSTEP						

When the EL_POS register is written by the user the new electrical position is instantly imposed. When the EL_POS register is written its value must be masked in order to match with the step mode selected in STEP_MODE register in order to avoid a wrong microstep value generation (see paragraph 9.1.19); otherwise the resulting microstep sequence will be incorrect.

Any attempt to write the register when the motor is running causes the command to be ignored and the NOTPERF_CMD flag to rise (see paragraph 9.1.22).

9.1.3 MARK

The MARK register contains an absolute position called MARK in according to the selected step mode; the stored value unit is equal to the selected step mode (full, half, quarter, etc.). It is in two's complement format and it ranges from -2^{21} to $+2^{21}-1$.

9.1.4 SPEED

The SPEED register contains the current motor speed, expressed in step/tick (format unsigned fixed point 0.28).

In order to convert the SPEED value in step/s the following formula can be used:

Equation 4

$$[\text{step/s}] = \frac{\text{SPEED} \cdot 2^{-28}}{\text{tick}}$$

where SPEED is the integer number stored into the register and tick is 250 ns.

The available range is from 0 to 15625 step/s with a resolution of 0.015 step/s.

Note: The range effectively available to the user is limited by the MAX_SPEED parameter.

Any attempt to write the register causes the command to be ignored and the NOTPERF_CMD flag to rise (see paragraph 9.1.22).

9.1.5 ACC

The ACC register contains the speed profile acceleration expressed in step/tick² (format unsigned fixed point 0.40).

In order to convert ACC value in step/s² the following formula can be used:

Equation 5

$$[\text{step/s}^2] = \frac{\text{ACC} \cdot 2^{-40}}{\text{tick}^2}$$

where ACC is the integer number stored into the register and tick is 250 ns.

The available range is from 14.55 to 59590 step/s² with a resolution of 14.55 step/s².

When the ACC value is set to 0xFF the device works in infinite acceleration mode.

Any attempt to write to the register when the motor is running causes the command to be ignored and the NOTPERF_CMD flag to rise (see paragraph 9.1.22).

9.1.6 DEC

The DEC register contains the speed profile deceleration expressed in step/tick² (format unsigned fixed point 0.40).

In order to convert DEC value in step/s² the following formula can be used:

Equation 6

$$\left[\text{step/s}^2 \right] = \frac{\text{DEC} \cdot 2^{-40}}{\text{tick}^2}$$

where DEC is the integer number stored into the register and tick is 250 ns.

The available range is from 14.55 to 59590 step/s² with a resolution of 14.55 step/s².

When the device is working in infinite acceleration mode this value is ignored.

Any attempt to write the register when the motor is running causes the command to be ignored and the NOTPERF_CMD flag to rise (see paragraph [9.1.22](#)).

9.1.7 MAX_SPEED

The MAX_SPEED register contains the speed profile maximum speed expressed in step/tick (format unsigned fixed point 0.18).

In order to convert it in step/s the following formula can be used:

Equation 7

$$\left[\text{step/s} \right] = \frac{\text{MAX_SPEED} \cdot 2^{-18}}{\text{tick}}$$

where MAX_SPEED is the integer number stored into the register and tick is 250 ns.

The available range is from 15.25 to 15610 step/s with a resolution of 15.25 step/s.

9.1.8 MIN_SPEED

The MIN_SPEED register contains following parameters:

Table 10. MIN_SPEED register

Bit 12	Bit 11	Bit 10	Bit 9	Bit 8	Bit 7	Bit 6	Bit 5	Bit 4	Bit 3	Bit 2	Bit 1	Bit 0
LSPD_OPT	MIN_SPEED											

The MIN_SPEED parameter contains the speed profile minimum speed. Its value is expressed in step/tick and to convert it in step/s the following formula can be used:

$$\left[\text{step/s} \right] = \frac{\text{MIN_SPEED} \cdot 2^{-24}}{\text{tick}}$$

where MIN_SPEED is the integer number stored into the register and tick is the ramp 250 ns.

The available range is from 0 to 976.3 step/s with a resolution of 0.238 step/s.

When LSPD_OPT bit is set high, low speed optimization feature is enabled and MIN_SPEED value indicates the speed threshold below which the compensation works. In this case the minimum speed of speed profile is set to zero.

An attempt to write the register when the motor is running causes the NOTPERF_CMD flag to rise.

9.1.9 FS_SPD

The FS_SPD register contains the threshold speed. When the actual speed exceeds this value the step mode is automatically switched to Full Step two-phase on. Its value is expressed in step/tick (format unsigned fixed point 0.18) and to convert it in step/s the following formula can be used.

Equation 8

$$[\text{step/s}] = \frac{(\text{FS_SPD} + 0.5) \cdot 2^{-18}}{\text{tick}}$$

If FS_SPD value is set to hFF (max) the system always works in microstepping mode (SPEED must go beyond the threshold to switch to full step mode). Setting FS_SPD to zero has not the same effect as setting step mode to full step two phase on: zero FS_SPD value is equivalent to a speed threshold of about 7.63 step/s.

The available range is from 7.63 to 15625 step/s with a resolution of 15.25 step/s.

9.1.10 KVAL_HOLD, KVAL_RUN, KVAL_ACC and KVAL_DEC

The KVAL_HOLD register contains the K_{VAL} value that is assigned to the PWM modulators when the motor is stopped (compensations excluded).

The KVAL_RUN register contains the K_{VAL} value that is assigned to the PWM modulators when the motor is running at constant speed (compensations excluded).

The KVAL_ACC register contains the starting K_{VAL} value that can be assigned to the PWM modulators during acceleration (compensations excluded).

The KVAL_DEC register contains the starting K_{VAL} value that can be assigned to the PWM modulators during deceleration (compensations excluded).

The available range is from 0 to $0.996 \times V_S$ with a resolution of $0.004 \times V_S$ as shown in [Table 11](#).

Table 11. Voltage amplitude regulation registers

KVAL_X [7..0]								Output voltage
0	0	0	0	0	0	0	0	0
0	0	0	0	0	0	0	1	$V_S \times (1/256)$
⋮	⋮	⋮	⋮	⋮	⋮	⋮	⋮	⋮
1	1	1	1	1	1	1	0	$V_S \times (254/256)$
1	1	1	1	1	1	1	1	$V_S \times (255/256)$

9.1.11 INT_SPEED

The INT_SPEED register contains the speed value at which the BEMF compensation curve changes slope (see paragraph 7.4 for details). Its value is expressed in step/tick and to convert it in [step/s] the following formula can be used:

Equation 9

$$[\text{step/s}] = \frac{\text{INT_SPEED} \cdot 2^{-24}}{\text{tick}}$$

where INT_SPEED is the integer number stored into the register and tick is 250 ns.

The available range is from 0 to 3906 step/s with a resolution of 0.238 step/s.

Any attempt to write the register when the motor is running causes the command to be ignored and the NOTPERF_CMD flag to rise (see paragraph 9.1.22).

9.1.12 ST_SLP

The ST_SLP register contains the BEMF compensation curve slope that is used when the speed is lower than the intersect speed (see paragraph 7.4 for details). Its value is expressed in s/step and the available range is from 0 to 0.004 with a resolution of 0.000015.

When ST_SLP, FN_SLP_ACC and FN_SLP_DEC parameters are set to zero no BEMF compensation is performed.

Any attempt to write the register when the motor is running causes the command to be ignored and the NOTPERF_CMD flag to rise (see paragraph 9.1.22).

9.1.13 FN_SLP_ACC

The FN_SLP_ACC register contains the BEMF compensation curve slope that is used when the speed is greater than the intersect speed during acceleration (see paragraph 7.4 for details). Its value is expressed in s/step and the available range is from 0 to 0.004 with a resolution of 0.000015.

When ST_SLP, FN_SLP_ACC and FN_SLP_DEC parameters are set to zero no BEMF compensation is performed.

Any attempt to write the register when the motor is running causes the command to be ignored and the NOTPERF_CMD flag to rise (see paragraph 9.1.22).

9.1.14 FN_SLP_DEC

The FN_SLP_DEC register contains the BEMF compensation curve slope that is used when the speed is greater than the intersect speed during deceleration (see paragraph 7.4 for details). Its value is expressed in s/step and the available range is from 0 to 0.004 with a resolution of 0.000015.

When ST_SLP, FN_SLP_ACC and FN_SLP_DEC parameters are set to zero no BEMF compensation is performed.

Any attempt to write the register when the motor is running causes the command to be ignored and the NOTPERF_CMD flag to rise (see paragraph 9.1.22).

9.1.15 K_THERM

The K_THERM register contains the value used by the winding resistance thermal drift compensation system (see paragraph 7.6).

The available range is from 1 to 1.46875 with a resolution of 0.03125 as shown in Table 12.

Table 12. Winding resistance thermal drift compensation coefficient

K_THERM [3..0]				Compensation coeff.
0	0	0	0	1
0	0	0	1	1.03125
⋮	⋮	⋮	⋮	⋮
1	1	1	0	1.4375
1	1	1	1	1.46875

9.1.16 ADC_OUT

The ADC_OUT register contains the result of the analog to digital conversion of the ADCIN pin voltage; the result is available even if the supply voltage compensation is disabled.

Any attempt to write to the register causes the command to be ignored and the NOTPERF_CMD flag to rise (see paragraph 9.1.22).

Table 13. ADC_OUT value and motor supply voltage compensation feature

V _S	V _{ADCIN} /V _{REG}	ADC_OUT [4..0]					Compensation coefficient
Greater than V _{S,nom} + 50%	> 24/32	1	1	X	X	X	0.65625
V _{S,nom} + 50%	24/32	1	1	0	0	0	0.65625
⋮	⋮	⋮	⋮	⋮	⋮	⋮	⋮
V _{S,nom}	16/32	1	0	0	0	0	1
⋮	⋮	⋮	⋮	⋮	⋮	⋮	⋮
V _{S,nom} - 50%	8/32	0	1	0	0	0	1.968875
Lower than V _{S,nom} - 50%	< 8/32	0	0	X	X	X	1.968875

9.1.17 OCD_TH

The OCD_TH register contains the overcurrent threshold value (see paragraph 6.9 for details). The available range is from 375 mA to 6 A, steps of 375 mA as shown in Table 14.

Table 14. Overcurrent detection threshold

OCD_TH [3..0]				Overcurrent detection threshold
0	0	0	0	375 mA
0	0	0	1	750 mA
...
1	1	1	0	5.625 A
1	1	1	1	6 A

9.1.18 STALL_TH

The STALL_TH register contains the stall detection threshold value (see paragraph 7.2 for details). The available range is from 31.25 mA to 4 A with a resolution of 31.25 mA.

Table 15. Stall detection threshold

STALL_th [6..0]							Stall detection threshold
0	0	0	0	0	0	0	31.25 mA
0	0	0	0	0	0	1	62.5 mA
...
1	1	1	1	1	1	0	3.969 A
1	1	1	1	1	1	1	4 A

9.1.19 STEP_MODE

The STEP_MODE register has the following structure:

Table 16. STEP_MODE register

Bit 7	Bit 6	Bit 5	Bit 4	Bit 3	Bit 2	Bit 1	Bit 0
SYNC_EN	SYNC_SEL			0	STEP_SEL		

The STEP_SEL parameter selects one of eight possible stepping modes:

Table 17. Step mode selection

STEP_SEL[2..0]			Step mode
0	0	0	Full step
0	0	1	Half step
0	1	0	1/4 microstep
0	1	1	1/8 microstep
1	0	0	1/16 microstep
1	0	1	1/32 microstep
1	1	0	1/64 microstep
1	1	1	1/128 microstep

Every time the step mode is changed the electrical position (i.e. the point of microstepping sinewave that is generated) is reset to the first microstep.

Warning: Every time STEP_SEL is changed the value in ABS_POS register loses meaning and should be reset.

Any attempt to write the register when the motor is running causes the command to be ignored and the NOTPERF_CMD flag to rise (see paragraph 9.1.22).

When when SYNC_EN bit is set low $\overline{\text{BUSY}}/\text{SYNC}$ output is forced low during commands execution, otherwise, when SYNC_EN bit is set high, $\overline{\text{BUSY}}/\text{SYNC}$ output provides a clock signal according to SYNC_SEL parameter.

Table 18. SYNC output frequency

		STEP_SEL (f_{FS} is the full step frequency)							
		000	001	010	011	100	101	110	111
SYNC_SEL	000	$f_{FS}/2$	$f_{FS}/2$	$f_{FS}/2$	$f_{FS}/2$	$f_{FS}/2$	$f_{FS}/2$	$f_{FS}/2$	$f_{FS}/2$
	001	NA	f_{FS}	f_{FS}	f_{FS}	f_{FS}	f_{FS}	f_{FS}	f_{FS}
	010	NA	NA	$2 \cdot f_{FS}$	$2 \cdot f_{FS}$	$2 \cdot f_{FS}$	$2 \cdot f_{FS}$	$2 \cdot f_{FS}$	$2 \cdot f_{FS}$
	011	NA	NA	NA	$4 \cdot f_{FS}$	$4 \cdot f_{FS}$	$4 \cdot f_{FS}$	$4 \cdot f_{FS}$	$4 \cdot f_{FS}$
	100	NA	NA	NA	NA	$8 \cdot f_{FS}$	$8 \cdot f_{FS}$	$8 \cdot f_{FS}$	$8 \cdot f_{FS}$
	101	NA	NA	NA	NA	NA	$16 \cdot f_{FS}$	$16 \cdot f_{FS}$	$16 \cdot f_{FS}$
	110	NA	NA	NA	NA	NA	NA	$32 \cdot f_{FS}$	$32 \cdot f_{FS}$
	111	NA	NA	NA	NA	NA	NA	NA	$64 \cdot f_{FS}$

the synchronization signal is obtained starting from electrical position information (EL_POS register) according to following [Table 9](#):

Table 19. SYNC signal source

SYNC_SEL[2..0]			Source
0	0	0	EL_POS[7]
0	0	1	EL_POS[6]
0	1	0	EL_POS[5]
0	1	1	EL_POS[4]
1	0	0	EL_POS[3]
1	0	1	EL_POS[2]
1	1	0	EL_POS[1]
1	1	1	EL_POS[0]

9.1.20 ALARM_EN

The ALARM_EN register allows selecting which alarm signals are used to generate the FLAG output. If the respective bit of ALARM_EN register is set high, the alarm condition forces the FLAG pin output down.

Table 20. ALARM_EN register

ALARM_EN bit	Alarm condition
0 (LSB)	Overcurrent
1	Thermal shutdown
2	Thermal warning
3	Under-voltage
4	Stall detection (Bridge A)
5	Stall detection (Bridge B)
6	Switch turn-on event
7 (MSB)	Wrong or not performable command

9.1.21 CONFIG

The CONFIG register has the following structure:

Table 21. CONFIG register

Bit 15	Bit 14	Bit 13	Bit 12	Bit 11	Bit 10	Bit 9	Bit 8
F_PWM_INT			F_PWM_DEC			POW_SR	
Bit 7	Bit 6	Bit 5	Bit 4	Bit 3	Bit 2	Bit 1	Bit 0
OC_SD	RESERVED	EN_VSCOMP	SW_MODE	EXT_CLK	OSC_SEL		

The OSC_SEL and EXT_CLK bits set the system clock source:

Table 22. Oscillator management

EXT_CLK	OSC_SEL[2..0]			Clock source	OSCIN	OSCOUT
0	0	0	0	Internal Oscillator: 16MHz	Unused	Unused
0	0	0	1			
0	0	1	0			
0	0	1	1			
1	0	0	0	Internal Oscillator: 16MHz	Unused	Supplies a 2MHz clock
1	0	0	1	Internal Oscillator: 16MHz	Unused	Supplies a 4MHz clock
1	0	1	0	Internal oscillator: 16MHz	Unused	Supplies a 8MHz clock
1	0	1	1	Internal oscillator: 16MHz	Unused	Supplies a 16MHz clock
0	1	0	0	External crystal or resonator: 8MHz	Crystal/resonator driving	Crystal/resonator driving
0	1	0	1	External crystal or resonator: 16MHz	Crystal/resonator driving	Crystal/resonator driving
0	1	1	0	External crystal or resonator: 24MHz	Crystal/resonator driving	Crystal/resonator driving
0	1	1	1	External crystal or resonator: 32MHz	Crystal/resonator driving	Crystal/resonator driving
1	1	0	0	Ext clock source: 8MHz (Crystal/resonator driver disabled)	Clock source	Supplies inverted OSCIN signal
1	1	0	1	Ext clock source: 16MHz (Crystal/resonator driver disabled)	Clock source	Supplies inverted OSCIN signal
1	1	1	0	Ext clock source: 24MHz (Crystal/resonator driver disabled)	Clock source	Supplies inverted OSCIN signal
1	1	1	1	Ext clock source: 32MHz (Crystal/resonator driver disabled)	Clock source	Supplies inverted OSCIN signal

The SW_MODE bit sets the external switch to act as HardStop interrupt or not:

Table 23. External switch hard stop interrupt mode

SW_MODE	Switch mode
0	HardStop interrupt
1	User disposal

The OC_SD bit sets if an overcurrent event causes or not the bridges to turn-off; the OCD flag in status register is forced low anyway:

Table 24. Overcurrent event

OC_SD	Overcurrent event
1	Bridges shut down
0	Bridges do not shut down

The POW_SR bits set the slew rate value of power bridge output:

Table 25. Programmable power bridge output slew-rate values

POW_SR [1..0]		Output Slew-rate ⁽¹⁾ [V/μs]
0	0	180
0	1	180
1	0	290
1	1	530

1. See S_{Rout_r} and S_{Rout_f} parameters in the electrical characteristics [Table 4](#) for details.

The EN_VSCOMP bit sets if the motor supply voltage compensation is enabled or not.

Table 26. Motor supply voltage compensation enable

EN_VSCOMP	Motor supply voltage compensation
0	Disabled
1	Enabled

The F_PWM_INT bits set the integer division factor of PWM frequency generation.

Table 27. PWM frequency: integer division factor

F_PWM_INT [2..0]			Integer division factor
0	0	0	1
0	0	1	2
0	1	0	3
0	1	1	4
1	0	0	5
1	0	1	6
1	1	0	7
1	1	1	

The F_PWM_DEC bits set the multiplication factor of PWM frequency generation.

Table 28. PWM frequency: multiplication factor

F_PWM_DEC [2..0]			Multiplication factor
0	0	0	0.625
0	0	1	0.75
0	1	0	0.875
0	1	1	1
1	0	0	1.25
1	0	1	1.5
1	1	0	1.75
1	1	1	2

In the following tables all available PWM frequencies are listed according to oscillator frequency, F_PWM_INT and F_PWM_DEC values (CONFIG register OSC_SEL parameter has to be correctly programmed).

Table 29. Available PWM frequencies [kHz]: 8 MHz oscillator frequency

F_PWM_INT	F_PWM_DEC							
	000	001	010	011	100	101	110	111
000	9.8	11.7	13.7	15.6	19.5	23.4	27.3	31.3
001	4.9	5.9	6.8	7.8	9.8	11.7	13.7	15.6
010	3.3	3.9	4.6	5.2	6.5	7.8	9.1	10.4
011	2.4	2.9	3.4	3.9	4.9	5.9	6.8	7.8
100	2.0	2.3	2.7	3.1	3.9	4.7	5.5	6.3
101	1.6	2.0	2.3	2.6	3.3	3.9	4.6	5.2
110	1.4	1.7	2.0	2.2	2.8	3.3	3.9	4.5

Table 30. Available PWM frequencies [kHz]: 16 MHz oscillator frequency

F_PWM_INT	F_PWM_DEC							
	000	001	010	011	100	101	110	111
000	19.5	23.4	27.3	31.3	39.1	46.9	54.7	62.5
001	9.8	11.7	13.7	15.6	19.5	23.4	27.3	31.3
010	6.5	7.8	9.1	10.4	13.0	15.6	18.2	20.8
011	4.9	5.9	6.8	7.8	9.8	11.7	13.7	15.6
100	3.9	4.7	5.5	6.3	7.8	9.4	10.9	12.5
101	3.3	3.9	4.6	5.2	6.5	7.8	9.1	10.4
110	2.8	3.3	3.9	4.5	5.6	6.7	7.8	8.9

Table 31. Available PWM frequencies [kHz]: 24 MHz oscillator frequency

F_PWM_INT	F_PWM_DEC							
	000	001	010	011	100	101	110	111
000	29.3	35.2	41.0	46.9	58.6	70.3	82.0	93.8
001	14.6	17.6	20.5	23.4	29.3	35.2	41.0	46.9
010	9.8	11.7	13.7	15.6	19.5	23.4	27.3	31.3
011	7.3	8.8	10.3	11.7	14.6	17.6	20.5	23.4
100	5.9	7.0	8.2	9.4	11.7	14.1	16.4	18.8
101	4.9	5.9	6.8	7.8	9.8	11.7	13.7	15.6
110	4.2	5.0	5.9	6.7	8.4	10.0	11.7	13.4

Table 32. Available PWM frequencies [kHz]: 32 MHz oscillator frequency

F_PWM_INT	F_PWM_DEC							
	000	001	010	011	100	101	110	111
000	39.1	46.9	54.7	62.5	78.1	93.8	109.4	125.0
001	19.5	23.4	27.3	31.3	39.1	46.9	54.7	62.5
010	13.0	15.6	18.2	20.8	26.0	31.3	36.5	41.7
011	9.8	11.7	13.7	15.6	19.5	23.4	27.3	31.3
100	7.8	9.4	10.9	12.5	15.6	18.8	21.9	25.0
101	6.5	7.8	9.1	10.4	13.0	15.6	18.2	20.8
110	5.6	6.7	7.8	8.9	11.2	13.4	15.6	17.9

Any attempt to write the CONFIG register when the motor is running causes the command to be ignored and the NOTPERF_CMD flag to rise (see paragraph 9.1.22).

9.1.22 STATUS

Table 33. STATUS register

Bit 15	Bit 14	Bit 13	Bit 12	Bit 11	Bit 10	Bit 9	Bit 8
SCK_MOD	STEP_LOSS_B	STEP_LOSS_A	OCD	TH_SD	TH_WRN	UVLO	WRONG_CMD
Bit 7	Bit 6	Bit 5	Bit 4	Bit 3	Bit 2	Bit 1	Bit 0
NOTPERF_CMD	MOT_STATUS		DIR	SW_EVN	SW_F	BUSY	HiZ

When HiZ flag is high it indicates that the bridges are in high impedance state. Whichever motion command makes the device to exit from High Z state (HardStop and SoftStop included), unless error flags forcing a High Z state are active.

The UVLO flag is active low and is set by an under-voltage lock out or reset events (power-up included).

The TH_WRN, TH_SD, OCD flags are active low and indicate respectively thermal warning, thermal shutdown and over-current detection events.

STEP_LOSS_A and STEP_LOSS_B flags are forced low when a stall is detected on bridge A or bridge B respectively.

The NOTPERF_CMD and WRONG_CMD flags are active high and indicate respectively that the command received by SPI can't be performed or does not exist at all.

The SW_F report the SW input status (low for open and high for closed).

The SW_EVN flag is active high and indicates a switch turn-on event (SW input falling edge).

The UVLO, TH_WRN, TH_SD, OCD, STEP_LOSS_A, STEP_LOSS_B, NOTPERF_CMD, WRONG_CMD and SW_EVN flags are latched: when the respective conditions make them active (low or high) they remain in that state until a GetStatus command is sent to the IC.

The BUSY bit reflects the $\overline{\text{BUSY}}$ pin status. The BUSY flag is low when a constant speed, positioning or motion command is under execution and is released (high) after the command have been completed.

The SCK_MOD bit is an active high flag indicating that the device is working in step clock mode. In this case the step clock signal should be provided through STCK input pin. The DIR bit indicates the current motor direction:

Table 34. STATUS register DIR bit

DIR	Motor direction
1	Forward
0	Reverse

MOT_STATUS indicates the current motor status:

Table 35. STATUS register MOT_STATE bits

MOT_STATUS		Motor status
0	0	Stopped
0	1	Acceleration
1	0	Deceleration
1	1	Constant speed

Any attempt to write to the register causes the command to be ignored and the NOTPERF_CMD to rise (see paragraph [9.1.22](#)).

9.2 Application commands

The commands summary is given in the [Table 36](#).

Table 36. Application commands

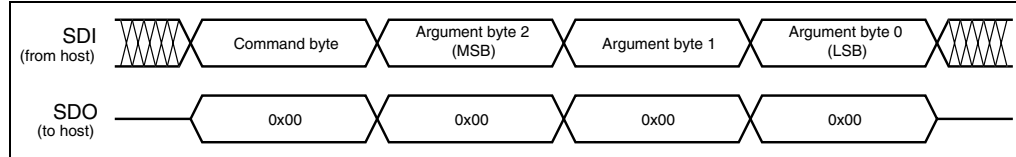
Command Mnemonic	Command binary code					Action
	[7..5]	[4]	[3]	[2..1]	[0]	
NOP	000	0	0	00	0	Nothing
SetParam(PARAM,VALUE)	000	[PARAM]				Writes VALUE in PARAM register
GetParam(PARAM)	001	[PARAM]				Returns the stored value in PARAM register
Run(DIR,SPD)	010	1	0	00	DIR	Sets the target speed and the motor direction
StepClock(DIR)	010	1	1	00	DIR	Put the device in step clock mode and impose DIR direction
Move(DIR,N_STEP)	010	0	0	00	DIR	Makes N_STEP (micro)steps in DIR direction (Not performable when motor is running)
GoTo(ABS_POS)	011	0	0	00	0	Brings motor in ABS_POS position (minimum path)
GoTo_DIR(DIR,ABS_POS)	011	0	1	00	DIR	Brings motor in ABS_POS position forcing DIR direction
GoUntil(ACT,DIR,SPD)	100	0	ACT	01	DIR	Perform a motion in DIR direction with speed SPD until SW is closed, the ACT action is executed then a SoftStop takes place
ReleaseSW(ACT, DIR)	100	1	ACT	01	DIR	Performs a motion in DIR direction at minimum speed until the SW is released (open), the ACT action is executed then a HardStop takes place
GoHome	011	1	0	00	0	Brings the motor in HOME position
GoMark	011	1	1	00	0	Brings the motor in MARK position
ResetPos	110	1	1	00	0	Resets the ABS_POS register (set HOME position)
ResetDevice	110	0	0	00	0	Device is reset to power-up conditions.
SoftStop	101	1	0	00	0	Stops motor with a deceleration phase
HardStop	101	1	1	00	0	Stops motor immediately
SoftHiZ	101	0	0	00	0	Puts the bridges in High Impedance status after a deceleration phase
HardHiZ	101	0	1	00	0	Puts the bridges in High Impedance status immediately
GetStatus	110	1	0	00	0	Returns the status register value
RESERVED	111	0	1	01	1	RESERVED COMMAND
RESERVED	111	1	1	00	0	RESERVED COMMAND

9.2.1 Command management

The host microcontroller can control motor motion and configure the L6470 through a complete set of commands.

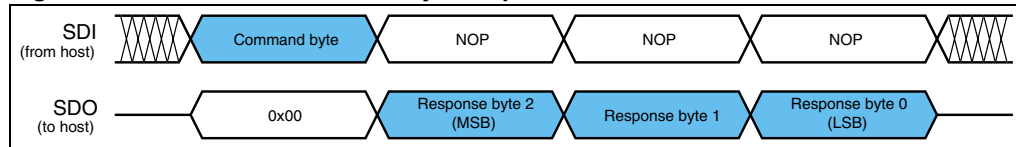
All commands are composed by a single byte. After the command byte, some bytes of arguments should be needed (see [Figure 18](#)). Argument length can vary from 1 to 3 bytes.

Figure 18. Command with three byte argument



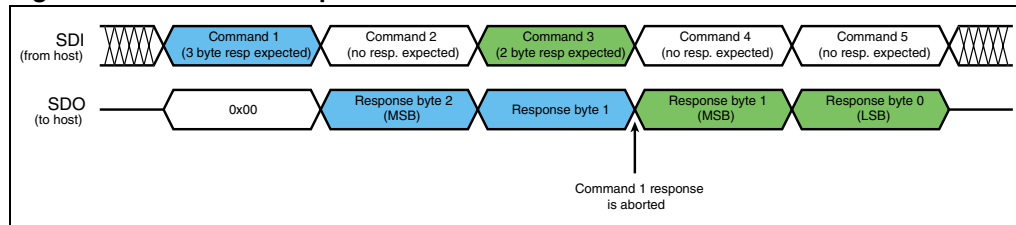
By default the device returns an all zeroes response for any received byte, the only exceptions are GetParam and GetStatus commands. When one of these commands is received the following response bytes represents the related register value (see [Figure 19](#)). Response length can vary from 1 to 3 bytes.

Figure 19. Command with three byte response



During response transmission, new commands can be sent. If a command requiring a response is sent before the previous response is completed, the response transmission is aborted and the new response is loaded into output communication buffer (see [Figure 20](#)).

Figure 20. Command response aborted



When a byte that does not correspond to a command is sent to the IC it is ignored and the WRONG_CMD flag in STATUS register is raised (see paragraph 9.1.22).

9.2.2 Nop

Table 37. Nop command structure

Bit 7	Bit 6	Bit 5	Bit 4	Bit 3	Bit 2	Bit 1	Bit 0	
0	0	0	0	0	0	0	0	From host

Nothing is performed.

9.2.3 SetParam (PARAM, VALUE)

Table 38. SetParam command structure

Bit 7	Bit 6	Bit 5	Bit 4	Bit 3	Bit 2	Bit 1	Bit 0	
0	0	0	PARAM					From host
Byte 2 (if needed)								
Byte 1 (if needed)								
Byte 0								

The SetParam command sets the PARAM register value equal to VALUE; PARAM is the respective register address listed in [Table 11](#).

Some registers cannot be written (see [Table 11](#)); any attempt to write one of those registers causes the command to be ignored and the WRONG_CMD flag to rise at the end of command byte as like as unknown command code is sent (see paragraph [9.1.22](#)).

Some registers can only be written in particular conditions (see [Table 11](#)); any attempt to write one of those registers when the conditions are not satisfied causes the command to be ignored and the NOTPERF_CMD flag to rise at the end of last argument byte (see paragraph [9.1.22](#)).

Any attempt to set an inexistent register (wrong address value) causes the command to be ignored and WRONG_CMD flag to rise at the end of command byte as like as unknown command code is sent.

9.2.4 GetParam (PARAM)

Table 39. GetParam command structure

Bit 7	Bit 6	Bit 5	Bit 4	Bit 3	Bit 2	Bit 1	Bit 0	
0	0	1	PARAM					from host
Byte 2 (if needed)							to host	
Byte 1 (if needed)							to host	
Byte 0							to host	

This command reads the current PARAM register value; PARAM is the respective register address listed in [Table 11](#). All registers can be read anytime.

Returned value is the register one at the moment of SetParam command decoding. If register values changes after this moment the response will not be accordingly updated.

Any attempt to read an inexistent register (wrong address value) causes the command to be ignored and WRONG_CMD flag to rise at the end of command byte as like as unknown command code is sent.

9.2.5 Run (DIR, SPD)

Table 40. Run command structure

Bit 7	Bit 6	Bit 5	Bit 4	Bit 3	Bit 2	Bit 1	Bit 0	
0	1	0	1	0	0	0	DIR	from host
X	X	X	X	SPD (Byte 2)				from host
SPD (Byte 1)								from host
SPD (Byte 0)								from host

The Run command produces a motion at SPD speed; the direction is selected by DIR bit: '1' forward or '0' reverse. The SPD value is expressed in step/tick (format unsigned fixed point 0.28) that is the same format that SPEED register (see paragraph 9.1.4).

Note: The SPD value should be lower than MAX_SPEED and greater than MIN_SPEED otherwise the Run command will be executed at MAX_SPEED or MIN_SPEED respectively.

This command can be given anytime and is immediately executed.

9.2.6 StepClock (DIR)

Table 41. Stepclock command structure

Bit 7	Bit 6	Bit 5	Bit 4	Bit 3	Bit 2	Bit 1	Bit 0	
0	1	0	1	1	0	0	DIR	from host

The StepClock command switches the device in step clock mode (see paragraph 6.7.5) and impose the forward (DIR = '1') or reverse (DIR = '0') direction.

When the device is in step clock mode the SCK_MOD flag in STATUS register is raised and the motor is always considered stopped (see paragraphs 6.7.5 and 9.1.22).

Device exits from step clock mode when a constant speed, absolute positioning or motion command is sent through SPI. Motion direction is imposed by the respective StepClock command argument and can be changed by a new StepClock command without exiting the step clock mode.

Events that cause bridges to be forced in high impedance state (overtemperature, overcurrent, etc.) do not cause the device to leave step clock mode.

This command can only be given when the motor is stopped. If a motion is in progress the motor should be stopped and then it is possible to send a StepClock command.

Any attempt to perform a StepClock command when the motor is running causes the command to be ignored and the NOTPERF_CMD flag to rise (see paragraph 9.1.22).

9.2.7 Move (DIR, N_STEP)

Table 42. Move command structure

Bit 7	Bit 6	Bit 5	Bit 4	Bit 3	Bit 2	Bit 1	Bit 0	
0	1	0	0	0	0	0	DIR	from host
X	X	N_STEP (Byte 2)						from host
N_STEP (Byte 1)								from host
N_STEP (Byte 0)								from host

The move command produces a motion of N_STEP microsteps; the direction is selected by DIR bit ('1' forward or '0' reverse).

The N_STEP value is always in agreement with the selected step mode; the parameter value unit is equal to the selected step mode (full, half, quarter, etc.).

This command can be only performed when the motor is stopped. If a motion is in progress the motor must be stopped and then it is possible to perform a Move command.

Any attempt to perform a Move command when the motor is running causes the command to be ignored and the NOTPERF_CMD flag to rise (see paragraph [9.1.22](#)).

9.2.8 GoTo (ABS_POS)

Table 43. GoTo command structure

Bit 7	Bit 6	Bit 5	Bit 4	Bit 3	Bit 2	Bit 1	Bit 0	
0	1	1	0	0	0	0	0	from host
X	X	ABS_POS (Byte 2)						from host
ABS_POS (Byte 1)								from host
ABS_POS (Byte 0)								from host

The GoTo command produces a motion to ABS_POS absolute position through the shortest path. The ABS_POS value is always in agreement with the selected step mode; the parameter value unit is equal to the selected step mode (full, half, quarter, etc.).

This command can be given when the outputs are in high impedance or the motor is stopped or running with constant speed.

Any attempt to perform a GoTo command when a previous command is under execution (BUSY low) causes the command to be ignored and the NOTPERF_CMD flag to rise (see paragraph [9.1.22](#)).

9.2.9 GoTo_DIR (DIR, ABS_POS)

Table 44. GoTo_DIR command structure

Bit 7	Bit 6	Bit 5	Bit 4	Bit 3	Bit 2	Bit 1	Bit 0	
0	1	1	0	1	0	0	DIR	from host
X	X	ABS_POS (Byte 2)						from host
ABS_POS (Byte 1)								from host
ABS_POS (Byte 0)								from host

The GoTo_DIR command produces a motion to ABS_POS absolute position imposing a forward (DIR = '1') or a reverse (DIR = '0') rotation. The ABS_POS value is always in agreement with the selected step mode; the parameter value unit is equal to the selected step mode (full, half, quarter, etc.).

This command can be given when the outputs are in high impedance or the motor is stopped or running with constant speed.

Any attempt to perform a GoTo_DIR command when a previous command is under execution (BUSY low) causes the command to be ignored and the NOTPERF_CMD flag to rise (see paragraph [9.1.22](#))

9.2.10 GoUntil (ACT, DIR, SPD)

Table 45. GoUntil command structure

Bit 7	Bit 6	Bit 5	Bit 4	Bit 3	Bit 2	Bit 1	Bit 0	
1	0	0	0	ACT	0	1	DIR	from host
X	X	X	X	SPD (Byte 2)				from host
SPD (Byte 1)								from host
SPD (Byte 0)								from host

The GoUntil command produces a motion at SPD speed imposing a forward (DIR = '1') or a reverse (DIR = '0') direction. When an external switch turn-on event occurs (see paragraph [6.13](#)), the ABS_POS register is reset (if ACT = '0') or the ABS_POS register value is copied into the MARK register (if ACT = '1'); then the system performs a SoftStop command.

The SPD value is expressed in step/tick (format unsigned fixed point 0.28) that is the same format that SPEED register (see paragraph [9.1.4](#)).

SPD value should be lower than MAX_SPEED and greater than MIN_SPEED, otherwise the target speed will be imposed at MAX_SPEED or MIN_SPEED respectively.

If SW_MODE bit of CONFIG register is set low, the external switch turn-on event causes a HardStop interrupt instead of the SoftStop command (see paragraphs [6.13](#) and [9.1.21](#)).

This command can be given anytime and is immediately executed.

9.2.11 ReleaseSW (ACT, DIR)

Table 46. ReleaseSW command structure

Bit 7	Bit 6	Bit 5	Bit 4	Bit 3	Bit 2	Bit 1	Bit 0	
1	0	0	1	ACT	0	1	DIR	from host

The ReleaseSW command produces a motion at minimum speed imposing a forward (DIR = '1') or reverse (DIR = '0') rotation. When SW is released (opened) the ABS_POS register is reset (ACT = '0') or the ABS_POS register value is copied in MARK register (ACT = '1'); then the system performs a HardStop command.

Note that to resetting the ABS_POS register is equivalent to setting the HOME position.

If minimum speed value is lesser than 5 step/s or low speed optimization is enabled, the motion is performed at 5 step/s.

9.2.12 GoHome

Table 47. GoHome command structure

Bit 7	Bit 6	Bit 5	Bit 4	Bit 3	Bit 2	Bit 1	Bit 0	
0	1	1	1	0	0	0	0	from host

The GoHome command produces a motion to the HOME position (zero position) via the shortest path.

Note that this command is equivalent to "GoTo(0...0)" command. If a motor direction is mandatory the GoTo_DIR command has to be used (see paragraph [9.2.9](#)).

This command can be given when the outputs are in high impedance or the motor is stopped or running with constant speed. Any attempt to perform a GoHome command when a previous command is under execution (BUSY low) causes the command to be ignored and the NOTPERF_CMD to rise (see paragraph [9.1.22](#)).

9.2.13 GoMark

Table 48. GoMark command structure

Bit 7	Bit 6	Bit 5	Bit 4	Bit 3	Bit 2	Bit 1	Bit 0	
0	1	1	1	1	0	0	0	from host

The GoMark command produces a motion to MARK position performing the minimum path.

Note that this command is equivalent to "GoTo (MARK)" command. If a motor direction is mandatory the GoTo_DIR command has to be used.

This command can be given when the outputs are in high impedance or the motor is stopped or running with constant speed.

Any attempt to perform a GoMark command when a previous command is under execution (BUSY low) causes the command to be ignored and the NOTPERF_CMD flag to rise (see paragraph 9.1.22)

9.2.14 ResetPos

Table 49. ResetPos command structure

Bit 7	Bit 6	Bit 5	Bit 4	Bit 3	Bit 2	Bit 1	Bit 0	
1	1	0	1	1	0	0	0	from host

The ResetPos command resets the ABS_POS register to zero. The zero position is also defined as HOME position (see paragraph 6.5).

9.2.15 ResetDevice

Table 50. ResetDevice command structure

Bit 7	Bit 6	Bit 5	Bit 4	Bit 3	Bit 2	Bit 1	Bit 0	
1	1	0	0	0	0	0	0	from host

The ResetDevice command resets the device to power-up conditions (see paragraph 6.1).

Note: At power-up the power bridges are disabled.

9.2.16 SoftStop

Table 51. SoftStop command structure

Bit 7	Bit 6	Bit 5	Bit 4	Bit 3	Bit 2	Bit 1	Bit 0	
1	0	1	1	0	0	0	0	from host

The SoftStop command causes an immediate deceleration to zero speed and a consequent motor stop; the deceleration value used is the one stored in DEC register (see paragraph 9.1.6).

When the motor is in high-impedance state, a SoftStop command forces the bridges to exit from high impedance state; no motion is performed.

9.2.17 HardStop

Table 52. HardStop command structure

Bit 7	Bit 6	Bit 5	Bit 4	Bit 3	Bit 2	Bit 1	Bit 0	
1	0	1	1	1	0	0	0	from host

The HardStop command causes an immediate motor stop with infinite deceleration.

When the motor is in high-impedance state, a HardStop command forces the bridges to exit from high impedance state; no motion is performed.

9.2.18 SoftHiZ

Table 53. SoftHiZ command structure

Bit 7	Bit 6	Bit 5	Bit 4	Bit 3	Bit 2	Bit 1	Bit 0	
1	0	1	0	0	0	0	0	from host

The SoftHiZ command disables the power bridges (high-impedance state) after a deceleration to zero; the deceleration value used is the one stored in DEC register (see paragraph 9.1.6). When bridges are disabled the HiZ flag is raised.

When the motor is stopped, a SoftHiZ command forces the bridges to enter in high-impedance state.

9.2.19 HardHiZ

Table 54. HardHiZ command structure

Bit 7	Bit 6	Bit 5	Bit 4	Bit 3	Bit 2	Bit 1	Bit 0	
1	0	1	0	1	0	0	0	from host

The HardHiZ command immediately disables the power bridges (high-impedance state) and raises the HiZ flag.

When the motor is stopped, a HardHiZ command forces the bridges to enter in high-impedance state.

9.2.20 GetStatus

Table 55. GetStatus command structure

Bit 7	Bit 6	Bit 5	Bit 4	Bit 3	Bit 2	Bit 1	Bit 0	
1	1	0	1	0	0	0	0	from host
STATUS MSByte								to host
STATUS LSByte								to host

The GetStatus command returns the Status register value.

GetStatus command resets the STATUS register warning flags. The command forces the system to exit from any error state. The GetStatus command DO NOT reset HiZ flag.

10 Package mechanical data

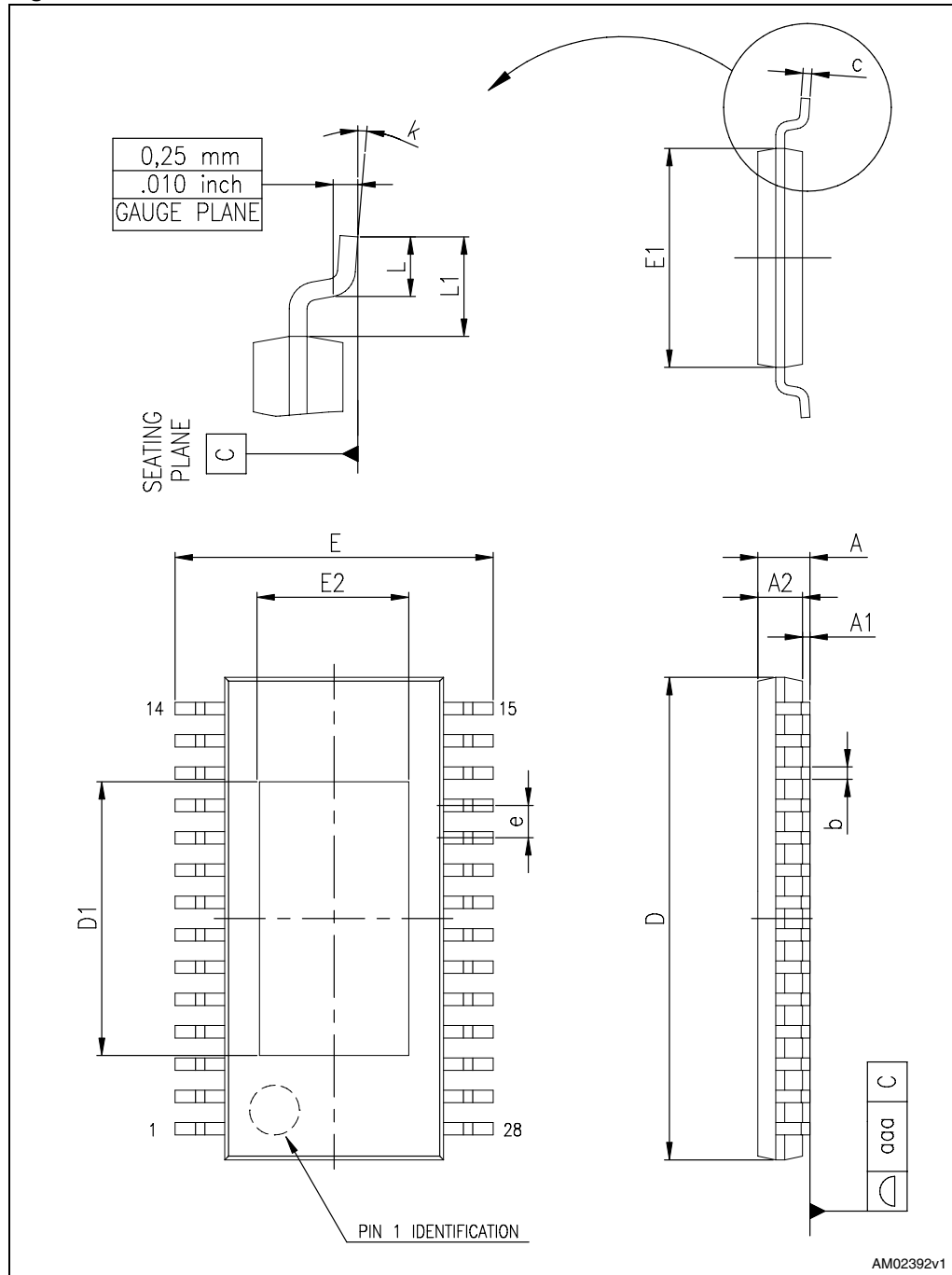
In order to meet environmental requirements, ST offers these devices in different grades of ECOPACK® packages, depending on their level of environmental compliance. ECOPACK® specifications, grade definitions and product status are available at: www.st.com. ECOPACK is an ST trademark.

Table 56. HTSSOP28 mechanical data

Dim	mm		
	Min	Typ	Max
A			1.2
A1			0.15
A2	0.8	1.0	1.05
b	0.19		0.3
c	0.09		0.2
D ⁽¹⁾	9.6	9.7	9.8
D1		5.5	
E	6.2	6.4	6.6
E1 ⁽²⁾	4.3	4.4	4.5
E2		2.8	
E		0.65	
L	0.45	0.6	0.75
L1		1.0	
K	0°		8°
Aaa		0.1	

1. Dimension "D" does not include mold flash, protrusions or gate burrs. Mold flash, protrusions or gate burrs shall not exceed 0.15 mm per side.
2. Dimension "E1" does not include interlead flash or protrusions. Interlead flash or protrusions shall not exceed 0.25 mm per side.

Figure 21. HTSSOP28 mechanical data



11 Revision history

Table 57. Document revision history

Date	Revision	Changes
06-Nov-2009	1	Initial release.
05-Nov-2010	2	Document status promoted from preliminary data to datasheet.

Please Read Carefully:

Information in this document is provided solely in connection with ST products. STMicroelectronics NV and its subsidiaries ("ST") reserve the right to make changes, corrections, modifications or improvements, to this document, and the products and services described herein at any time, without notice.

All ST products are sold pursuant to ST's terms and conditions of sale.

Purchasers are solely responsible for the choice, selection and use of the ST products and services described herein, and ST assumes no liability whatsoever relating to the choice, selection or use of the ST products and services described herein.

No license, express or implied, by estoppel or otherwise, to any intellectual property rights is granted under this document. If any part of this document refers to any third party products or services it shall not be deemed a license grant by ST for the use of such third party products or services, or any intellectual property contained therein or considered as a warranty covering the use in any manner whatsoever of such third party products or services or any intellectual property contained therein.

UNLESS OTHERWISE SET FORTH IN ST'S TERMS AND CONDITIONS OF SALE ST DISCLAIMS ANY EXPRESS OR IMPLIED WARRANTY WITH RESPECT TO THE USE AND/OR SALE OF ST PRODUCTS INCLUDING WITHOUT LIMITATION IMPLIED WARRANTIES OF MERCHANTABILITY, FITNESS FOR A PARTICULAR PURPOSE (AND THEIR EQUIVALENTS UNDER THE LAWS OF ANY JURISDICTION), OR INFRINGEMENT OF ANY PATENT, COPYRIGHT OR OTHER INTELLECTUAL PROPERTY RIGHT.

UNLESS EXPRESSLY APPROVED IN WRITING BY AN AUTHORIZED ST REPRESENTATIVE, ST PRODUCTS ARE NOT RECOMMENDED, AUTHORIZED OR WARRANTED FOR USE IN MILITARY, AIR CRAFT, SPACE, LIFE SAVING, OR LIFE SUSTAINING APPLICATIONS, NOR IN PRODUCTS OR SYSTEMS WHERE FAILURE OR MALFUNCTION MAY RESULT IN PERSONAL INJURY, DEATH, OR SEVERE PROPERTY OR ENVIRONMENTAL DAMAGE. ST PRODUCTS WHICH ARE NOT SPECIFIED AS "AUTOMOTIVE GRADE" MAY ONLY BE USED IN AUTOMOTIVE APPLICATIONS AT USER'S OWN RISK.

Resale of ST products with provisions different from the statements and/or technical features set forth in this document shall immediately void any warranty granted by ST for the ST product or service described herein and shall not create or extend in any manner whatsoever, any liability of ST.

ST and the ST logo are trademarks or registered trademarks of ST in various countries.

Information in this document supersedes and replaces all information previously supplied.

The ST logo is a registered trademark of STMicroelectronics. All other names are the property of their respective owners.

© 2010 STMicroelectronics - All rights reserved

STMicroelectronics group of companies

Australia - Belgium - Brazil - Canada - China - Czech Republic - Finland - France - Germany - Hong Kong - India - Israel - Italy - Japan - Malaysia - Malta - Morocco - Philippines - Singapore - Spain - Sweden - Switzerland - United Kingdom - United States of America

www.st.com