

Evaluation Board For CS424xx

Features

- Single-Ended Analog Inputs and Outputs
- CS8416 S/PDIF Receiver
- CS5361 converters supply ADCIN1 and ADCIN2 for CS424xx One Line Modes
- CS8406 S/PDIF Digital Audio Transmitter
- Header for optional external configuration of CS424xx and board
- Header for external DSP serial audio I/O
- 3.3 or 5.0 Volt Logic Interface supply
- Demonstrates recommended layout and grounding arrangements
- Microsoft Windows® compatible software interface to configure CS424xx and inter-board connections

Description

The CDB42428 demonstration board is an excellent means for evaluating the CS424xx family of highly integrated multi-channel CODECs. Evaluation requires an analog/digital signal source and analyzer, Windows® compatible computer, and power supplies.

System timing can be provided by an on-board oscillator or a master clock recovered from the S/PDIF input to the CS8416. RCA phono jacks are provided for the CS5361 analog inputs and CS424xx analog inputs and outputs. Digital data I/O is available via RCA phono jacks or optical connectors to the CS8416 and from the CS8406.

The Windows® software provides a graphical user interface to make configuration of the board easy. The software communicates through the computer's parallel port, and will configure the hardware to allow all features of the CS424xx to be evaluated. The evaluation board may also be configured to accept external timing and data signals for operation in a user application during system development.

ORDERING INFORMATION

CDB42428

Evaluation Board

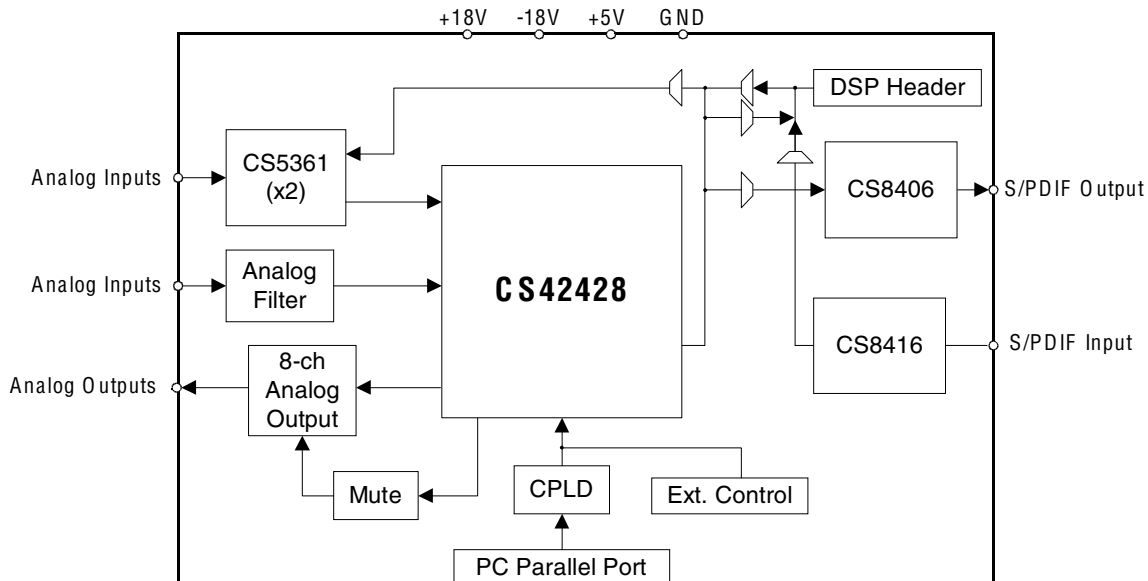


TABLE OF CONTENTS

1. SYSTEM OVERVIEW	4
1.1 CS424xx	4
1.2 CS8406	4
1.3 CS8416	4
1.4 CS5361	4
1.5 Crystal Oscillator	4
1.6 Analog Input	4
1.7 Analog Outputs	4
1.8 CPLD	6
1.9 DB-25 Computer Parallel Port	6
1.10 External Control Header	6
1.11 DSP Header	6
1.12 LED Function Indicator	6
1.13 Power	6
1.14 Grounding and Power Supply Decoupling	6
1.15 External Control Header Signals	7
1.16 DSP Header Signals	9
2. INITIAL BOARD SETUP	10
2.1 Power Supplies:	10
2.2 Installing the Software:	10
3. CDB425XX.EXE USER'S GUIDE	11
3.1 Main Window	11
3.2 CS42428 Window	11
3.3 Preset Scripts	11
3.4 Quick Start Preset - Analog In to Analog Out	11
3.5 Quick Start Preset - Analog In to Digital Out	11
3.6 Quick Start Guide - Digital In to Analog Out	12
3.7 Quick Start Preset - One-Line Mode (OLM)	13
4. MUTING SCHEME	14
5. SCHEMATICS AND LAYOUT	15
6. ADDENDUM	32

LIST OF FIGURES

Figure 1. Instrumentation Amplifier Configuration	5
Figure 2. Output Channel Mute Select	14
Figure 3. CS424xx	15
Figure 4. Clocks, Data, and DSP Header	16
Figure 5. SPDIF	17
Figure 6. CS5361 External ADC #1	18
Figure 7. CS5361 External ADC #2	19
Figure 8. CS424xx Analog Inputs	20
Figure 9. Analog Outputs A1 and B1	21
Figure 10. Analog Outputs A2 and B2	22
Figure 11. Analog Outputs A3 and B3	23
Figure 12. Analog Outputs A4 and B4	24
Figure 13. DB-25, Ext Ctrl Header, Reset	25
Figure 14. CPLD	26
Figure 15. Power	27
Figure 16. CS8416	28
Figure 17. Component Placement and Reference Designators	29

Figure 18. Top Layer.....	30
Figure 19. Bottom Layer.....	31

LIST OF TABLES

Table 1. System Connections	6
Table 2. Jumper Settings	7
Table 3. CS424xx External Control Header Signals	7
Table 4. CS424xx DSP Header Signals.....	9

1. SYSTEM OVERVIEW

The CDB42428 demonstration board is an excellent means for evaluating the CS42428/26/18/16 family of highly integrated CODECs. Analog and digital audio signal interfaces are provided, as well as a DB-25 computer parallel port interface for use with the supplied Windows® configuration software.

The CDB42428 schematic set has been partitioned into 14 pages as shown in Figures 3 through 16.

1.1 CS424xx

A complete description of each member of the CS42428/26/18/16 family is included in each respective product data sheet.

1.2 CS8406

The CS8406 S/PDIF transmitter on the demonstration board (see Figure 5) allows the performance of the CS424xx internal ADC's to be measured digitally. Either the CS424xx DAC port or the ADC port can be multiplexed to the CS8406. The CS8406 transmitter is configured to operate in slave mode only, and will receive the required clocks from the CS424xx. The data format for the CS8406 is selectable and must match that of its source. The CS8406 must be configured using the supplied software.

1.3 CS8416

The CS8416 S/PDIF receiver on the demonstration board (see Figure 5) allows the performance of the CS42428 internal DAC's to be evaluated through the use of a digital (S/PDIF) input source. The CS8416 receiver interfaces with the DSP header and can be configured to master the CS424xx DAC and ADC as well as the CS8406. The data format is selectable and must match that of the CS424xx. The CS8416 must be configured using the supplied software.

1.4 CS5361

There are two CS5361 A/D converters on the CS424xx demonstration board (see Figures 6 and 7). These converters supply the CS424xx ADCIN signals, and must operate in left-justified, 24-bit mode only. Their serial data outputs are used when supporting the CS424xx One Line Mode of operation.

RCA analog connectors supply the inputs to each CS5361 channel through a unity gain, AC-coupled, single-to-differential circuit. Each CS5361 input circuit is biased to $1/2 V_A$, and a $1V_{RMS}$ signal will drive the converter to full scale. The CS5361 converters are set to operate in slave mode and will receive their clocks from the CS424xx. The SCLK and LRCK signals can be provided from either the CS424xx DAC or ADC port, and must be selected using the configuration software.

1.5 Crystal Oscillator

Oscillator Y1 (see Figure 4) provides the System Clock (OMCK) for the CS424xx. The crystal oscillator on the board is mounted in pin sockets that allow it to be removed or replaced. The board is shipped with a 24.576 MHz crystal oscillator stuffed at Y1. Please refer to the CS424xx data sheet for details on OMCK operation.

The buffer on the output of the oscillator provides for signal level shifting to the proper VLS supply. This buffer can be removed if the oscillator is powered from the same VLS voltage source as the codec.

Oscillator Y2 provides the OMCK clock for the CS8416. Please refer to the CS8416 data sheet for details on automatic clock switching operation. This oscillator is not populated.

1.6 Analog Input

RCA phono connectors supply the CS424xx analog inputs through unity gain, AC-coupled single-to-differential circuits (see Figure 8). Each input circuit is biased to match the $2.7V_{DC}$ VQ, and a $1V_{RMS}$ differential signal will drive the CS424xx converter to full scale.

1.7 Analog Outputs

Each CS424xx analog output is routed through a differential to single-ended, unity-gain low pass filter, which is AC-coupled to an RCA phono jack (see Figures 9 through 12). The analog output filter on the CDB42428 has been designed to add flexibility when evaluating the CS424xx DAC outputs. The output filter was designed in a two stage format, with the first stage being an optional instrumentation amplifier, and the second stage a 2-pole butterworth low pass filter.

The 2-pole low pass filter provides an example of an inexpensive circuit with good distortion and dynamic range performance. It is designed to have the in-band impedance matched between the positive and negative legs. It also provides a balanced to single-ended conversion for standard un-balanced outputs. Evaluate this circuit by placing the FILT jumpers (three per output channel) to position 1 (selectable by J9, J10 & J11 for OUTA1, etc.).

The instrumentation amplifier is optionally inserted before the LPF by changing the FILT jumpers to position 2. The instrumentation amplifier incorporates a 5x gain (+14dB) which effectively lowers the noise contribution of the following 2-pole LPF. This improves the overall dynamic range of the system. The gain of this stage is determined from the following equation:

$$\text{Gain} = 1 + \frac{2(R)}{R_2}$$

The resistor designated by R_2 (see Figure 1) can be adjusted to change the gain of the instrumentation amp. The feedback resistors on the two sides of the instrumentation amp 'R' must be equal.

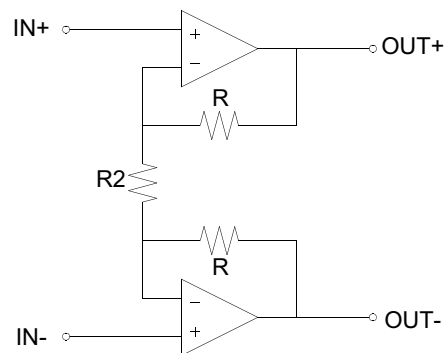


Figure 1. Instrumentation Amplifier Configuration

A resistor divider pad (parallel combination of $R_{59} // R_{56} // R_{80}$ and R_{93} for AOUTA1) has been placed after the low pass filter to bring the circuit back to unity gain (selectable with jumper J12 for AOUTA1).

In the resistor divider pad, three 3.01 k Ω , 1/4 W, 1210 size resistors are used in parallel to provide a combined resistance of 1 k Ω and a combined power handling of 3/4W. This is done to provide sufficient power handling capability to accommodate the high signal levels output from the instrumentation amplifier stage. When not using the instrumentation amplifier, these resistors may be reduced to a single 1k Ω , 1/10 W, 0805 size resistor (for muting attenuation purposes).

In certain places throughout the output circuit, 1/8W, 1206 size and 1/4W, 1210 size resistors are used. Similar to the parallel resistors in the resistor divider pad, these are used to provide sufficient power handling capability in order to accommodate the high signal levels output from the instrumentation amplifier stage. When not using the instrumentation amplifier, these resistors may all be replaced with 1/10W, 0805 size resistors.

The attenuation provided by the output mute transistor (Q2 for OUTA1) is determined by the resistor-divider formed between the collector-emitter on-resistance and the output resistor of the LPF. The greater the output resistor, the greater the attenuation will be for a given transistor. The trade off is that a high output impedance is not usually desirable, and may affect the voltage transfer to the next stage based upon its input impedance.

The same resistor that affects the transistor mute level also affects the HPF formed with the output DC-block capacitor (C71 for OUTA1). For LPF configuration 2, the values for the DC-block capacitor and output resistor pad were chosen to give uniform distortion performance across the audio bandwidth, particularly at low frequency. The HPF formed by this R-C pair must be such that the voltage across the aluminum electrolytic DC-block capacitor must be a minimum at 20 Hz. This keeps the distortion due to the electrolytic's dielectric absorption properties to a minimum. For a design utilizing only LPF configuration 1, there is no post-LPF resistor-divider pad, and a much smaller value capacitor can be used.

1.8 CPLD

The CPLD controls the on-board signal routing and configuration (see Figure 14). The CPLD interfaces with the computer software through the DB-25 parallel port header, or can communicate with an external processor via the External Control header.

1.9 DB-25 Computer Parallel Port

On-board clock and data routing and configuration logic, as well as the CS424xx part are configured using a computer with the supplied Windows®-based software. The software communicates via the DB-25 parallel port interface (see Figure 13) to a local CPLD that can configure all parts on the board.

1.10 External Control Header

A 26-pin dual-row header allows access to the control signals needed to configure the CS424xx. The external controller has access to the CS424xx I²C/SPI signals, master mute and reset, and the CS424xx interrupt signal is available (see Figure 13). All control header signals are buffered, and are referenced to VLC levels. See Table 3 for a complete description of External Control Header signals.

1.11 DSP Header

A 32-pin dual-row header provides access to the serial audio signals required to interface with a DSP (see Figure 4). Either the CS42428 (using the PLL recovered from the input ADC_LRCK or the OMCK oscillator), the CS8416 or the DSP header can be the master of the MCLK signal. The CS8416 can supply the DSP header with its recovered master clock (RMCK), or pass the local oscillator-sourced OMCK (of the CS8416).

The CS424xx ADC and DAC ports are individually selectable to be master or slave, and should source/receive their clocks to/from the DSP as required. All serial port timings must be synchronous to the CS424xx OMCK or RMCK - whichever is used to clock the codec. See the data sheet for a complete description of serial port modes of operation. All DSP header signals are buffered, and are referenced to VLS levels. DSP interface power VLS and ground are supplied to the header. See Table 4 for a complete description of DSP Header signals.

1.12 LED Function Indicator

D1 (see Figure 13) indicates that a master reset condition has occurred on the board. D4 (see Figure 14) is sourced from the CPLD and is currently unsupported.

1.13 Power

Power can easily be supplied to the evaluation board through three binding posts, all referenced to the single black binding post ground connector (see Figure 15).

Supply +18.0 VDC to the green binding post to provide the positive analog rail. Supply -18.0 VDC to the yellow binding post to provide the negative analog rail. +18 V and -18 V supply power to the op-amps and can be +/-12 to +/-18 volts (must be +/-18 V when filter 2 is selected).

Supply +5.0 VDC to the red binding post. This directly supplies the digital +5 V, is regulated down to provide the digital +3.3 V, and is filtered to supply VLC, and VA.

VLS and VD must be individually set with jumpers to either +3.3 V or +5 V.

1.14 Grounding and Power Supply Decoupling

The CS424xx requires careful attention to power supply and grounding arrangements to optimize performance. Figures 18 and 19 detail the routing and component placement for both top and bottom layers of the demonstration board. Power supply decoupling capacitors are located as close to the CS424xx as possible. Extensive use of ground plane fill in the demonstration board yields large reductions in radiated noise.

CONNECTOR	INPUT/OUTPUT	SIGNAL PRESENT
+5V	Input	+ 5VDC power
-18V	Input	-18 to -12 VDC negative supply for the op-amps
+18V	Input	+12 to +18 VDC positive supply for the op-amps
GND	Input	Ground connection from power supply
J39	Input	CS8416 digital audio interface input via coax

Table 1. System Connections

OPT4	Input	CS8416 digital audio interface input via optical
SPDIF TX - J2	Output	CS8406 digital audio interface output via coax
SPDIF TX - OPT2	Output	CS8406 digital audio interface output via optical
PC Port - J22	Input/Output	Parallel connection to computer for SPI / I ² C control port signals
EXTERNAL CONTROL HEADER - J17	Input/Output	I/O for SPI / I ² C control port signals - see signal descriptions below
DSP HEADER - J36	Input/Output	I/O for DSP serial port signals - see signal descriptions below
ANALOG IN LFT/RT	Input	RCA phono jacks for analog input signal to CS424xx internal ADCs
EXT A/D #1 LEFT/RIGHT	Input	RCA phono jacks for analog input signal to CS5361 ADC #1
EXT A/D #2 LEFT/RIGHT	Input	RCA phono jacks for analog input signal to CS5361 ADC #2
OUT_A1 to OUT_B4	Output	RCA phono jacks for channels A1 to B4 analog outputs

Table 1. System Connections

JUMPER / SWITCH	PURPOSE	POSITION	FUNCTION SELECTED
J37	Selects source of voltage for the VLS supplies	+3.3 V *+5 V	Voltage source is +3.3 V regulator Voltage source is +5 V binding post
J38	Selects source of voltage for the VD supply	+3.3 V *+5 V	Voltage source is +3.3 V regulator Voltage source is +5 V binding post
S2	Stand-Alone Mode Select	SAM0 SAM1	Stand-Alone Modes are for debug use and are presently unsupported
J9,J10,J11 J13,J15,J16 J18,J19,J20 J23,J25,J26 J28,J29,J30 J32,J34,J35 J39,J40,J41 J43,J45,J46	DAC Output Filter select - FILT	*1 2	Selects standard 2-pole LPF Selects instrumentation-amp/LPF/pad *Default Factory Settings

Table 2. Jumper Settings

1.15 External Control Header Signals

Header Pin #	Signal Description	Source	Schematic Signal Name	Buffer	Buffer Voltage
1	External Control Present Signal	CTRL	EXT_CONTROL_PRESENT-	-	-
2	Ground	CDB	GND	-	-
3	Address Bit 0 (I ² C) / CS- (SPI)	CTRL	AD0/CS	74VHC125	VLC
4	Ground	CDB	GND	-	-
5	Address Bit 1 (I ² C) / CDIN (SPI)	CTRL	AD1/CDIN	74VHC125	VLC
6	Ground	CDB	GND	-	-
7	SDA (I ² C) / CDOUT (SPI)	CTRL or CS424xx	SDA/CDOUT	MOSFET	VLC
8	Ground	CDB	GND	-	-
9	Serial Control Port Clock	CTRL	SCL/CCLK	74VHC125	VLC

Table 3. CS424xx External Control Header Signals

Header Pin #	Signal Description	Source	Schematic Signal Name	Buffer	Buffer Voltage
10	Ground	CDB	GND	-	-
11	Master MUTE to all Outputs	CTRL	EXT_MUTE	74VHC125	VLC
12	Ground	CDB	GND	-	-
13	Master RESET	CTRL	EXT_RESET	Diode	-
14	Ground	CDB	GND	-	-
15	CS424xx Interrupt (Programmable)	CS424xx	EXT_HDR_INT	74VHC125	VLC
16	Ground	CDB	GND	-	-
17	Enable external I ² C interface	CTRL	EXT_EN_SCL	74VHC125	VLS
18	Ground	CDB	GND	-	-
19	Enable external I ² C interface	CTRL	EXT_EN_SDA	74VHC125	VLS
20	Ground	CDB	GND	-	-

Table 3. CS424xx External Control Header Signals (Continued)

1.16 DSP Header Signals

Header Pin #	Signal Description	Source	Schematic Signal Name	Buffer	Buffer Voltage
1	Master Clock	CS424xx or DSP	DSP_MCLK	74VHC125	VLS
2	Ground	CDB	GND	-	-
3	DAC port LRCK	CS424xx or DSP	DSP_DAC_LRCK	74VHC125	VLS
4	Ground	CDB	GND	-	-
5	DAC port SCLK	CS424xx or DSP	DSP_DAC_SCLK	74VHC125	VLS
6	Ground	CDB	GND	-	-
7	DAC port SDATA Input 1	DSP	DSP_SDAT1	74VHC125	VLS
8	Ground	CDB	GND	-	-
9	DAC port SDATA Input 2	DSP	DSP_SDAT2	74VHC125	VLS
10	Ground	CDB	GND	-	-
11	DAC port SDATA Input 3	DSP	DSP_SDAT3	74VHC125	VLS
12	Ground	CDB	GND	-	-
13	DAC port SDATA Input 4	DSP	DSP_SDAT4	74VHC125	VLS
14	Ground	CDB	GND	-	-
15	no connect	-	-	-	-
16	Ground	CDB	GND	-	-
17	ADC port LRCK	CS424xx or DSP	DSP_ADC_LRCK	74VHC125	VLS
18	Ground	CDB	GND	-	-
19	ADC port SCLK	CS424xx or DSP	DSP_ADC_SCLK	74VHC125	VLS
20	Ground	CDB	GND	-	-
21	no connect	-	-	-	-
22	Ground	CDB	GND	-	-
23	ADC port SDATA Output	CS424xx	DSP_ADC_SDOOUT	74VHC125	VLS
24	Ground	CDB	GND	-	-
25	Unused Buffered Output	-	-	74VHC125	VLS
26	Ground	CDB	GND	-	-
27	No Connect	-	-	-	-
28	Ground	CDB	GND	-	-
29	Serial Port Interface Power	CDB	VLS	-	-
30	Ground	CDB	GND	-	-
31	Serial Port Interface Power	CDB	VLS	-	-
32	Ground	CDB	GND	-	-

Table 4. CS424xx DSP Header Signals

2. INITIAL BOARD SETUP

2.1 Power Supplies:

- 1) Verify that all power supplies are off before making connections.
- 2) Connect a +5.0 VDC power supply to the +5 V (J48) red binding post. Select VLS and VD operating voltage by placing a jumper on J37 and J38 to select either +5 V or +3.3 V.
- 3) Connect a +12.0 to +18.0 VDC power supply to the +18 V (J50) green binding post. If using the FILT position number 2 for the output filter stage, then supply +18.0 V only.
- 4) Connect a -12.0 to -18.0 VDC power supply to the -18 V (J51) yellow binding post. If using the FILT position number 2 for the output filter stage, then supply -18.0 V only.
- 5) Connect the common ground of the power supplies to the GND (J49) binding post.
- 6) Attach parallel port cable between board and computer.
- 7) Attach all required analog and digital cables to the board jacks and connectors.
- 8) If using the DSP Header connection, attach the required user supplied flat ribbon cable to the header with the power supplies turned off.
- 9) If using the External Control Header connection, attach the required user supplied flat ribbon cable to the header with the power supplies turned off. Note that external controller must ground the EXT_CONTROL_PRESENT-signal to gain control of the I²C/SPI signals. This can be done easily by connecting External Control Header pins 1 and 2 together.
- 10) With all cables and connections in place, turn on the power supplies to the board. Turn on supplies in this order: +5 V, +18 V, -18 V.
- 11) Press and release the MASTER RESET switch S1. The LED, D1, will illuminate as long as S1 is depressed indicating a reset condition. Once S1 is released, the LED should turn off. If it remains on, an error has occurred. At this point, power off the power supplies and re-check all connections. Apply power to the board and press and release S1. Once the LED has turned off, the board should now be ready for setup and use.

2.2 Installing the Software:

- 1) Copy the "CDB GUI" folder and all of its contents from the included CD to a convenient location on your PC.
- 2) If desired, create a shortcut to CDB425xx.EXE on your desktop. You should now be able to run CDB425xx.EXE. Double-click on CDB425xx.EXE or its shortcut. Note that the software will configure itself to operate with a CDB424xx depending upon which is connected to the parallel port.
- 3) Select the LPT port you are using to connect to the CDB42428.
- 4) Shut down the application, reset the board, and then restart the application.

3. CDB425XX.EXE USER'S GUIDE

3.1 Main Window

The main window of the CDB42428 control application allows the user to configure the CDB42428 inter-board routing of clocks and data, as well as setup the CS5361, CS8416 and CS8406 parts. To make changes to the CS5361, CS8406, CS8416, or inter-board routing, the “Configure Board” radio button must be selected.

The RESET CS425xx button will reset only the part. The MASTER RESET button will reset the CS424xx, as well as reset the board into its default state.

3.2 CS42428 Window

To configure the CS424xx, the “Configure CS424xx” radio button must be selected, then press the “CS424xx” button. This will bring up the complete CS424xx configuration window.

3.3 Preset Scripts

To make configuring the board and part easier, preset scripts can be saved and recalled. A preset script is a “snapshot” of all GUI board and component settings. This can be done using the File pulldown menu and choosing Load or Save. Scripts are saved with the default .LVS extension, and when loaded, will create a .LOG file. There are several preset scripts included with the software. The following sections represent four common setup modes with scripts for quick evaluation of the board.

3.4 Quick Start Preset - Analog In to Analog Out

To measure analog in to analog out performance, you will need the following:

- CS424xx Demonstration Board
- +18 VDC, -18 VDC, and +5 VDC power supplies
- Analog signal source and analyzer
- Windows® compatible computer with parallel port cable and CDB425xx software

Step 1 - Follow Initial Board Setup procedure as described above

Step 2 - Select Output Filter Jumpers

Set all CDB42428 analog output filter jumpers to the FILT2 settings.

Step 3 - Connect to Windows® Software

Connect the computer to the board and launch the CDB425xx software.

Step 4 - Connect Signal Source

Connect the analog output from the analyzer to the Left Analog Input J7. Connect J11 analog OUTA1 RCA to the input of the analyzer. Set the analyzer output to 1.0 VRMS, 1 kHz. Set the analyzer input to measure signal level and apply a 22 Hz-22 kHz filter.

Step 5 - Configure the Board

Using the Windows® software, load the preset script “Single Speed Analog In To Analog Out.LVS”. This preset will configure the CS424xx to use OMCK as the master clock, DAC and ADC ports will be masters, and the ADC_SDOUT data will source all DAC_SDIN inputs. The left/right analog inputs will appear at all odd/even analog outputs. The single speed sample rate will be 48 kHz based upon the 24.576 MHz OMCK. You may load the similar double speed or quad speed presets to investigate higher sample rates.

Step 6 - Measure Audio

You should now have audio appearing at the Analog A1 output.

3.5 Quick Start Preset - Analog In to Digital Out

To measure the analog to digital converter performance, you will need the following:

- CS424xx Demonstration Board
- +18 VDC, -18 VDC, and +5 VDC power supplies

- Analog signal source and analyzer
- Digital signal source and analyzer
- Windows® compatible computer with parallel port cable and CDB425xx software

Step 1 - Follow Initial Board Setup procedure as described above

Step 2 - Connect to Windows® Software

Connect the computer to the board and launch the CDB425xx software.

Step 3 - Connect Signal Source

Connect the analog output from the analyzer to the Left Analog Input J7. Connect the CS8406 digital output (coax J2 or optical OPT2) to the input of the analyzer. Set the analyzer output to 1.0 VRMS, 1 kHz. Set the analyzer input to measure digital signal level and apply a 22 Hz-22 kHz filter.

Step 4 - Configure the Board

Using the Windows® software, load the preset script “Single Speed Analog In To Digital Out.LVS”. This preset will configure the CS424xx to use OMCK as the master clock, DAC and ADC ports will be masters, and the ADC clocks data will source the CS8406 inputs. The CS8406 will output the ADC digital data to both the optical and RCA jacks. The single speed sample rate will be 48 kHz based upon the 24.576 MHz OMCK. You may load the similar double speed or quad speed presets to investigate higher sample rates.

Step 5 - Measure Audio

You should now have digital audio appearing at the ADC_SDOUT port and the CS8406 digital output.

3.6 Quick Start Guide - Digital In to Analog Out

To measure digital to analog performance, you will need the following:

- CS424xx Demonstration Board
- +18 VDC, -18 VDC, and +5 VDC power supplies
- Analog signal source and analyzer
- Digital signal source and analyzer
- Windows® compatible computer with parallel port cable and CDB425xx software

Step 1 - Follow Initial Board Setup procedure as described above

Step 2 - Select Output Filter Jumpers

Set all CDB42428 analog output filter jumpers to the FILT2 settings.

Step 3 - Connect to Windows® Software

Connect the computer to the board and launch the CDB425xx software.

Step 4 - Connect Signal Source

Connect the S/PDIF digital output from the analyzer to the optical input connector OPT4. Connect the analog OUTA1 RCA phono jack J11 to the input of the analyzer. Set the analyzer output to 0 dBFS, 1 kHz, sample rate at 48 kHz. Set the analyzer input to measure signal level and apply a 22 Hz-22 kHz filter.

Step 5 - Configure the Board

Using the Windows® software, load the preset script “Single Speed Optical In to Analog Out.LVS”. This preset will configure the CS8416 to source all DAC_SDIN inputs. The test source left/right data will appear at all odd/even analog outputs. You may load the similar double speed or quad speed presets to investigate higher sample rates, but you must be sure to supply an appropriate speed SPDIF signal.

Step 6 - Measure Audio

You should now have audio appearing at the Analog A1 output.

3.7 Quick Start Preset - One-Line Mode (OLM)

To measure one-line mode analog in to analog out performance, you will need the following:

- CS424xx Demonstration Board
- +18 VDC, -18 VDC, and +5 VDC power supplies
- Analog signal source and analyzer
- Windows® compatible computer with parallel port cable and CDB425xx software

Step 1 - Follow Initial Board Setup procedure as described above

Step 2 - Select Output Filter Jumpers

Set all CDB42428 analog output filter jumpers to the FILT2 settings.

Step 3 - Connect to Windows® Software

Connect the computer to the board and launch the CDB425xx software.

Step 4 - Connect Signal Source

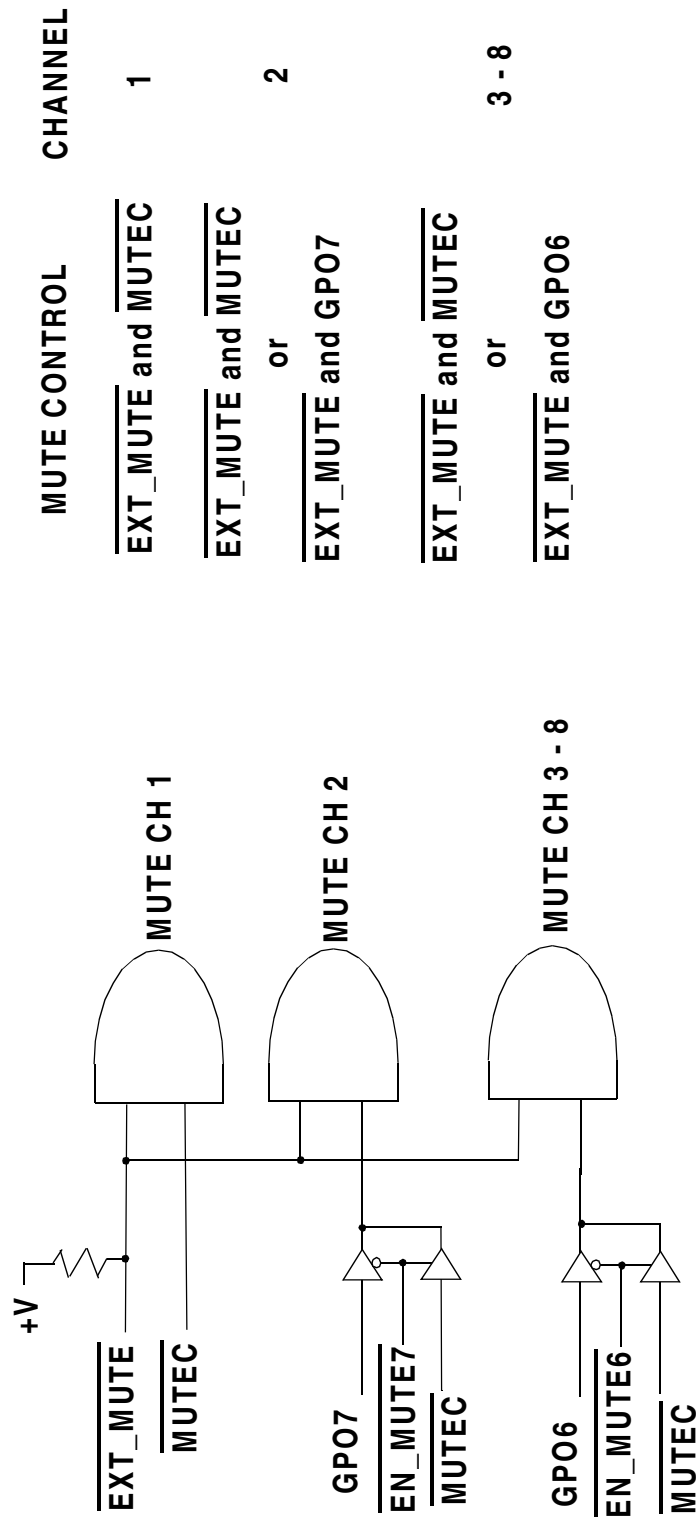
Connect the analog output from the analyzer to the Left Analog Input J7. Connect J11 analog OUTA1 RCA to the input of the analyzer. Set the analyzer output to 1.0 VRMS, 1 kHz. Set the analyzer input to measure signal level and apply a 22 Hz-22 kHz filter.

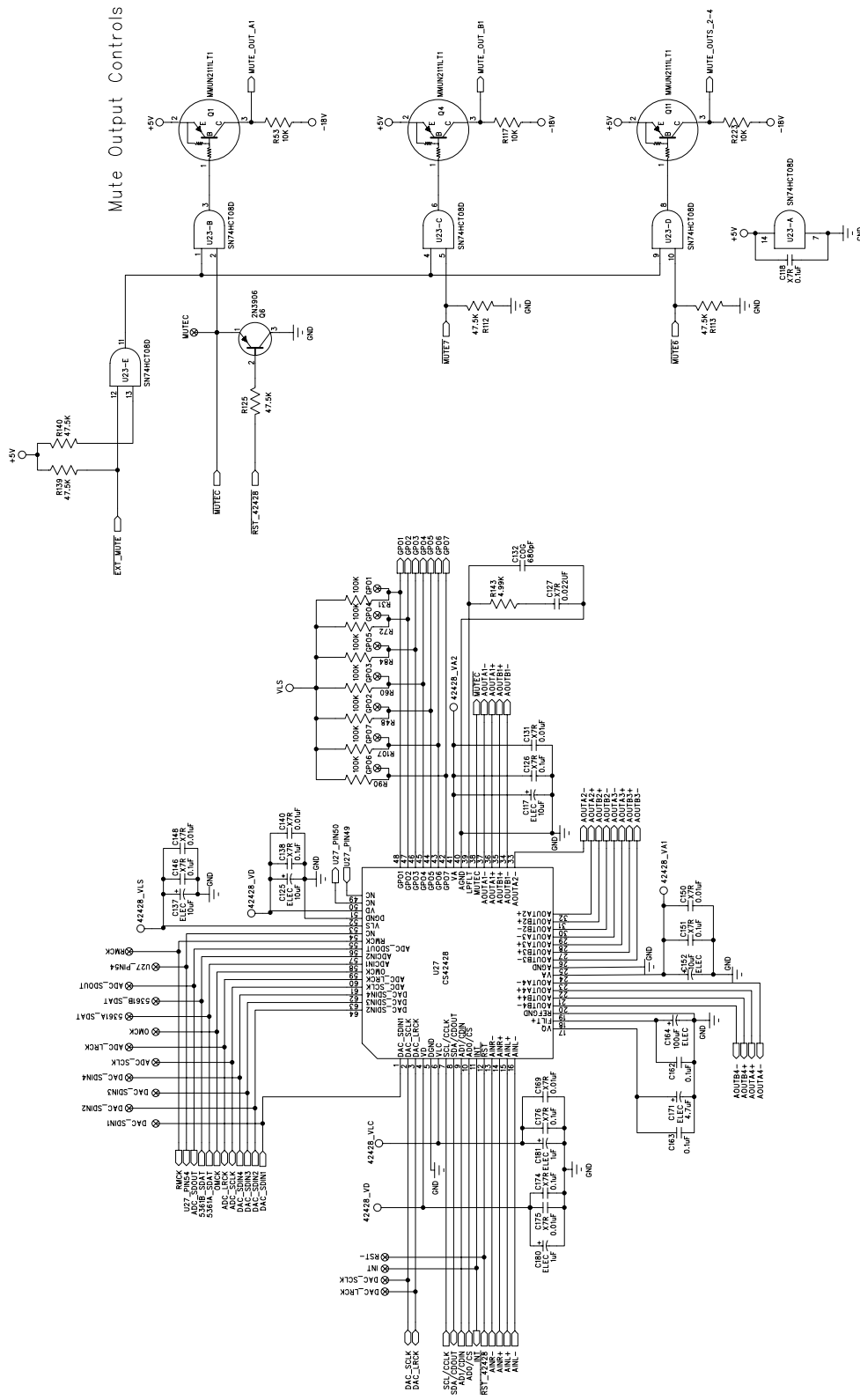
Step 5 - Configure the Board

Using the Windows® software, load the preset script "One-Line Mode.LVS". This preset will configure the CS424xx to use OMCK as the master clock, DAC and ADC ports will be masters, and the ADC_SDOOUT data will source the DAC_SDIN1 input. The left/right analog inputs will appear at OUT_A1 and OUT_B1 analog outputs; the EXT_ADC#1 Left and Right inputs will appear on the OUT_A2 and OUT_B2 analog outputs, respectively; the EXT_ADC#2 Left and Right inputs will appear on the OUT_A3 and OUT_B3 analog outputs, respectively. The sample rate will be 48 kHz based upon the 24.576 MHz OMCK.

Step 6 - Measure Audio

You should now have audio appearing at the Analog outputs.

4. MUTING SCHEME

Figure 2. Output Channel Mute Select

5. SCHEMATICS AND LAYOUT

Figure 3. CS424xx

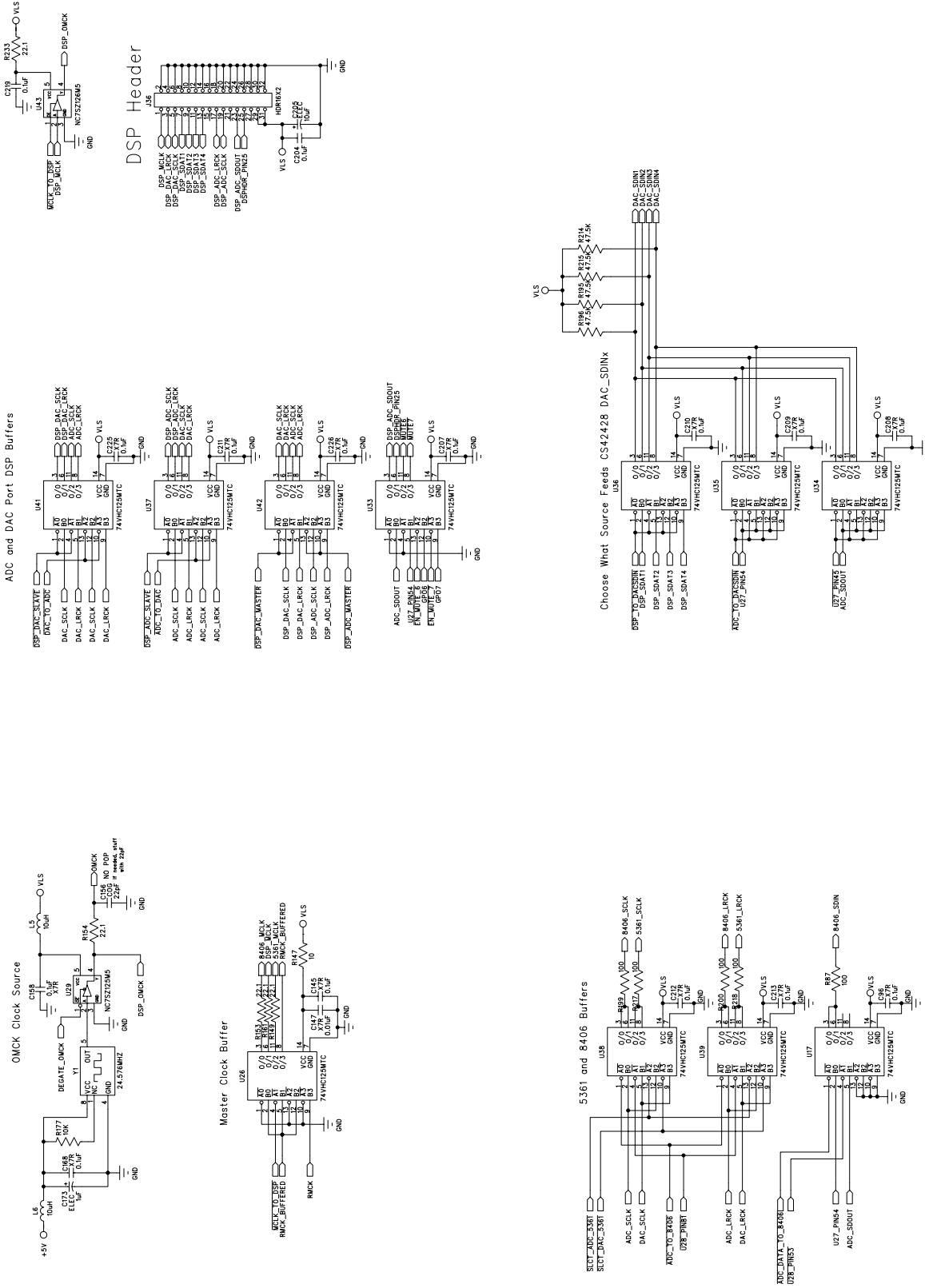
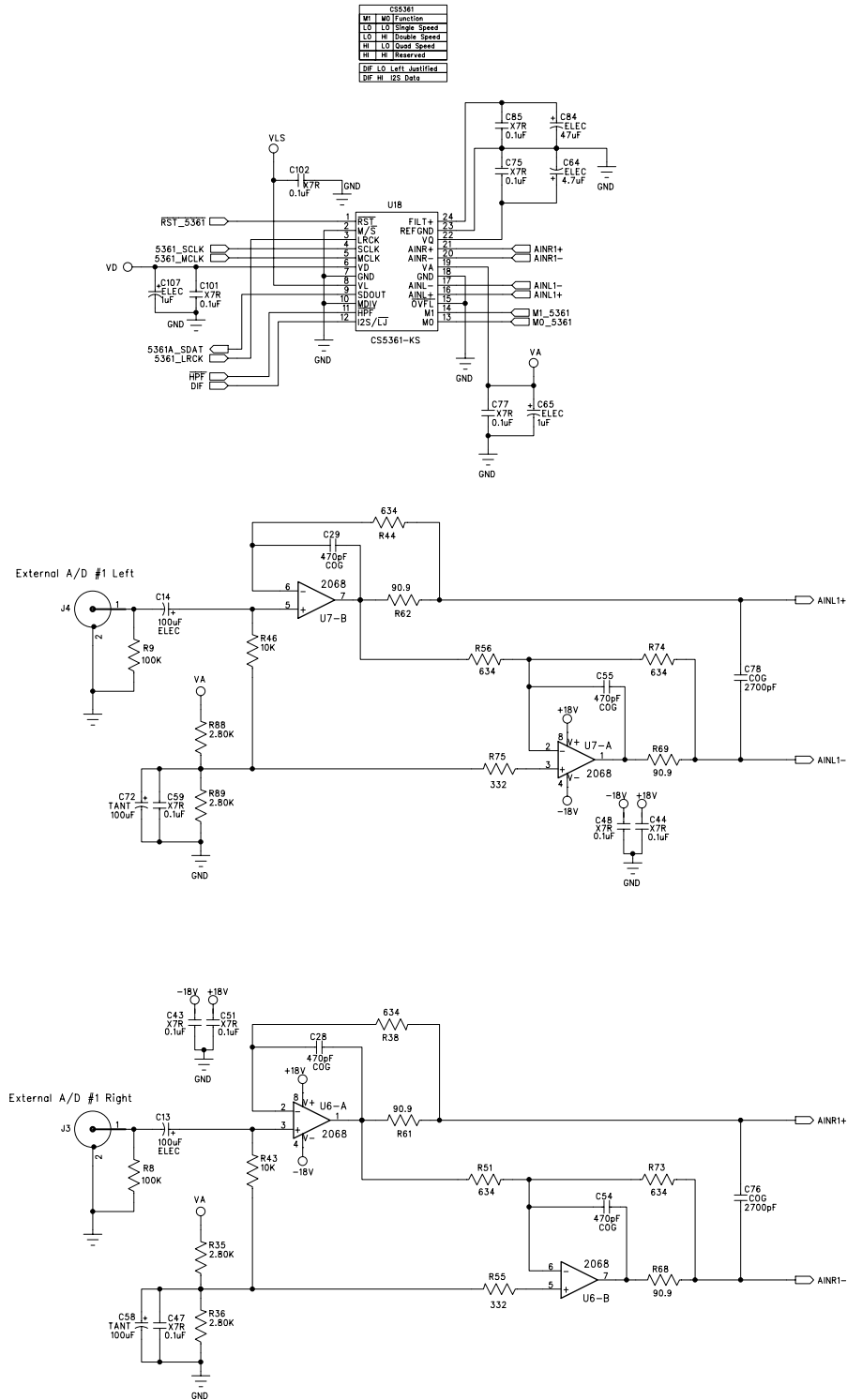
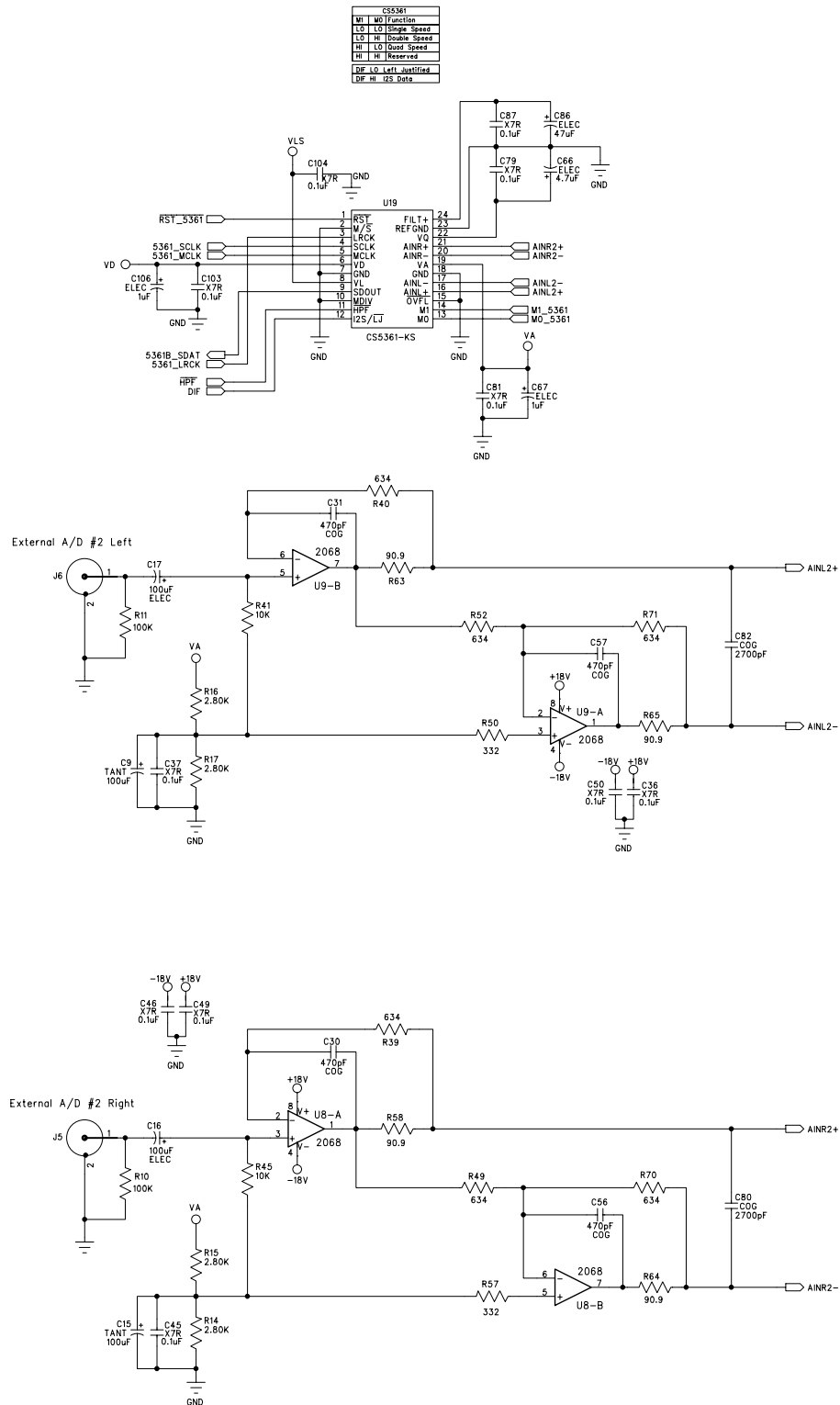
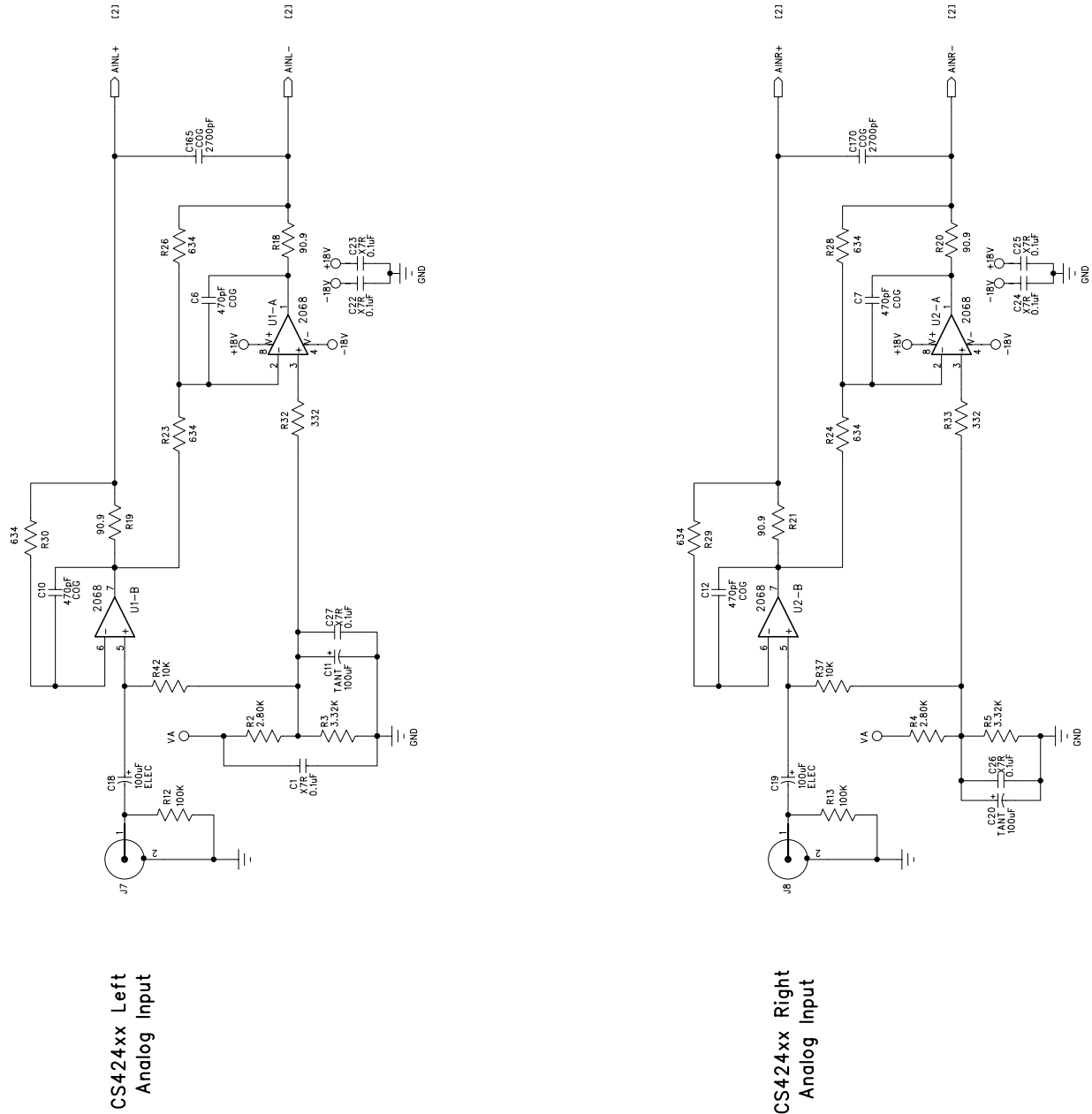
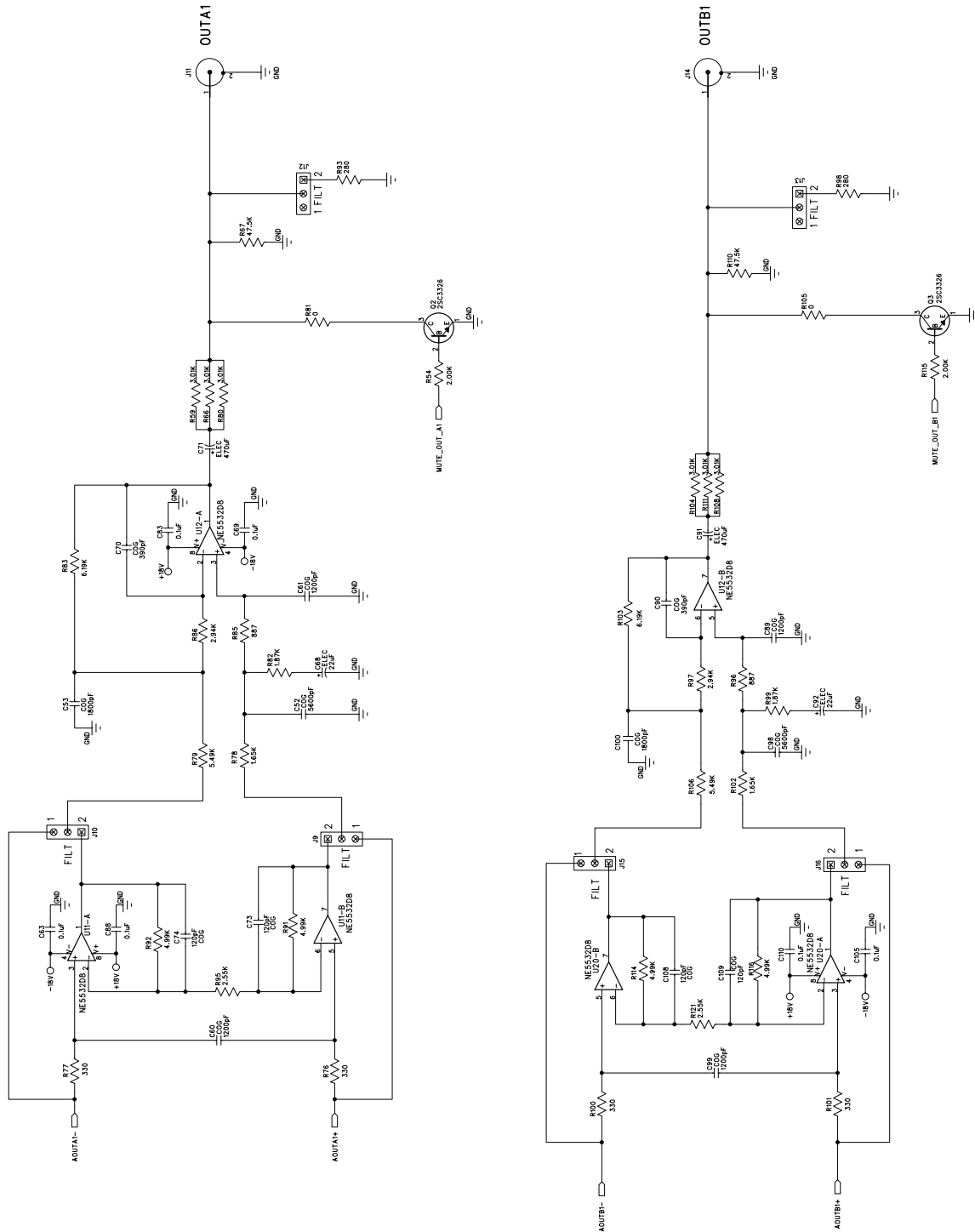


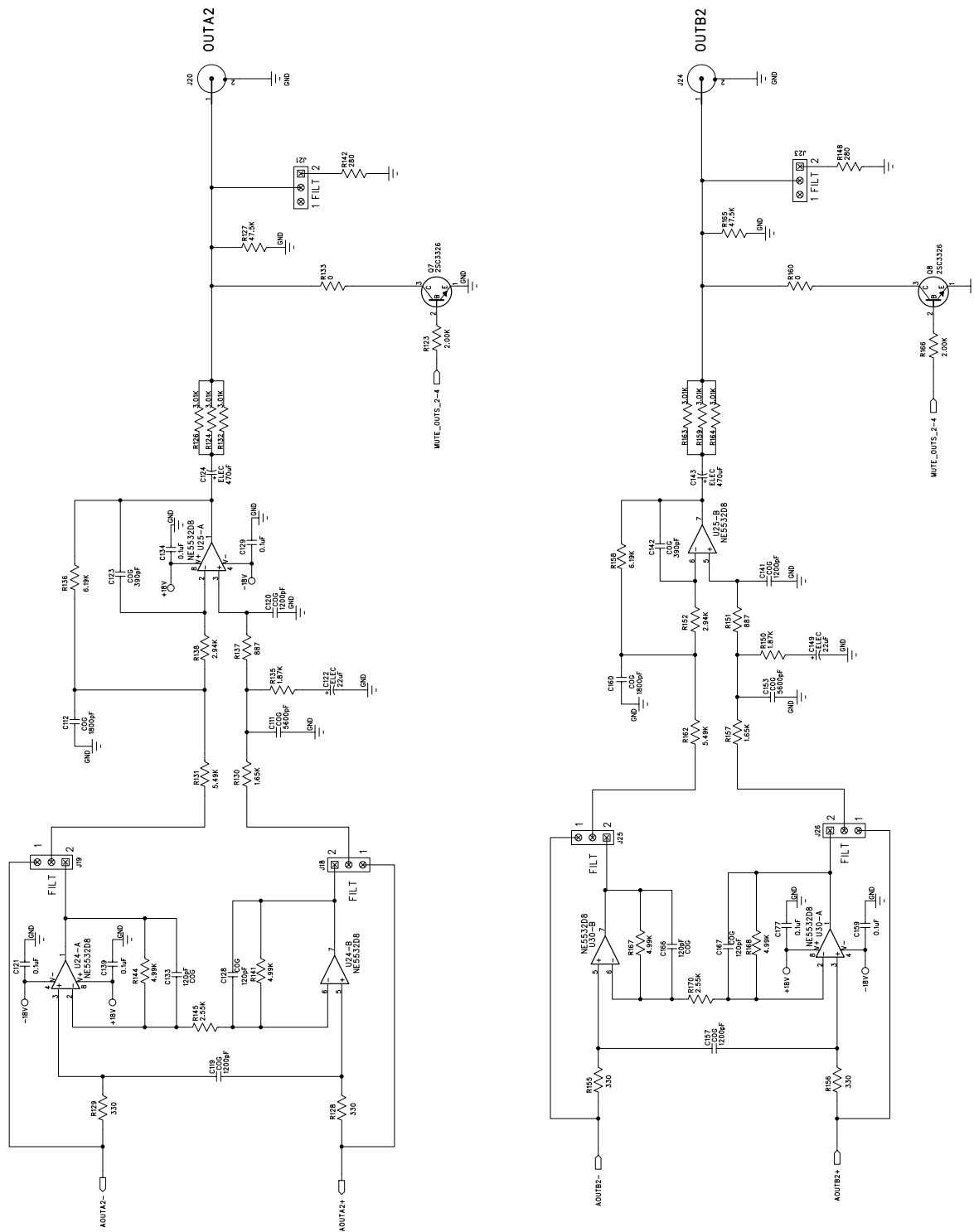
Figure 4. Clocks, Data, and DSP Header

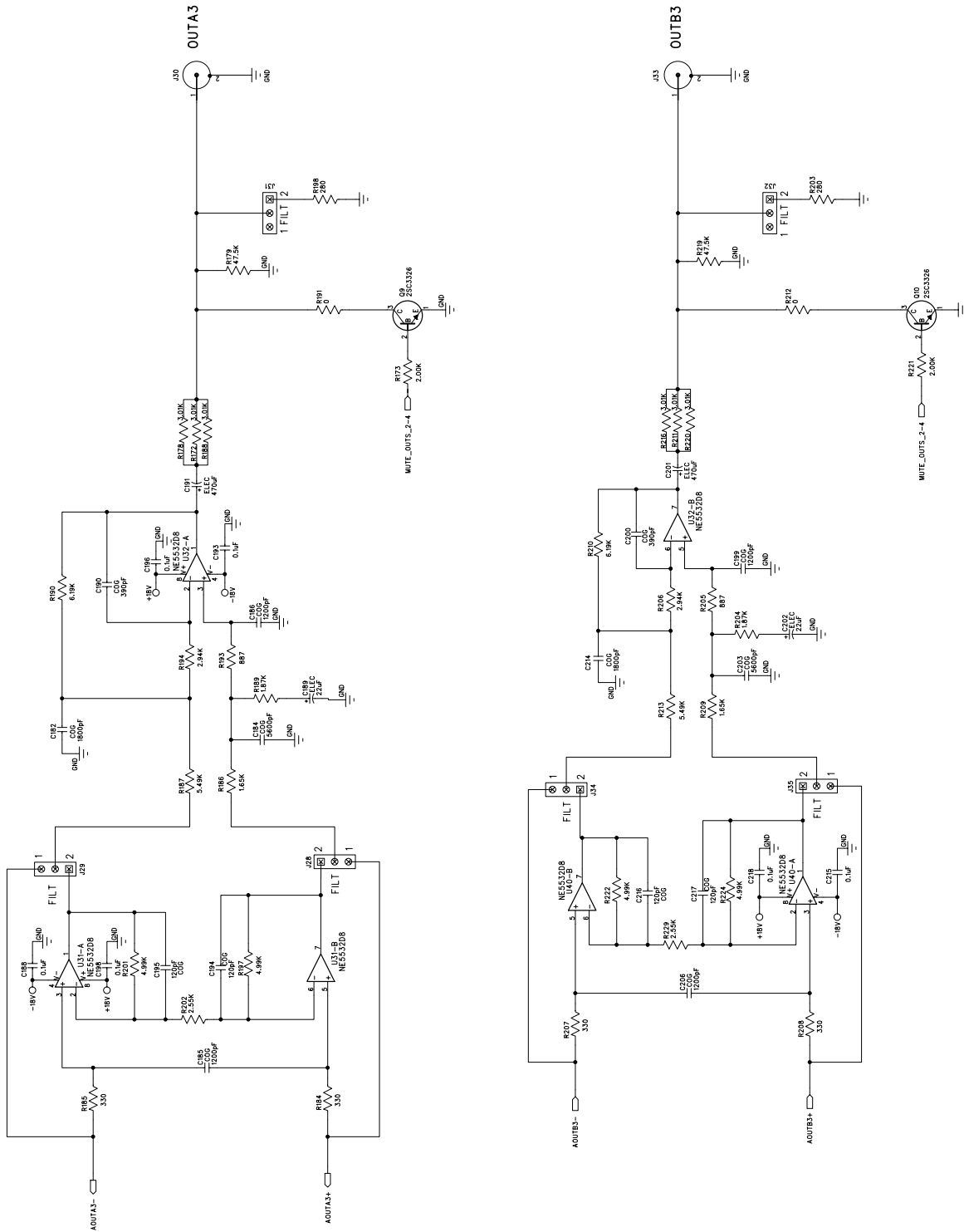

Figure 6. CS5361 External ADC #1

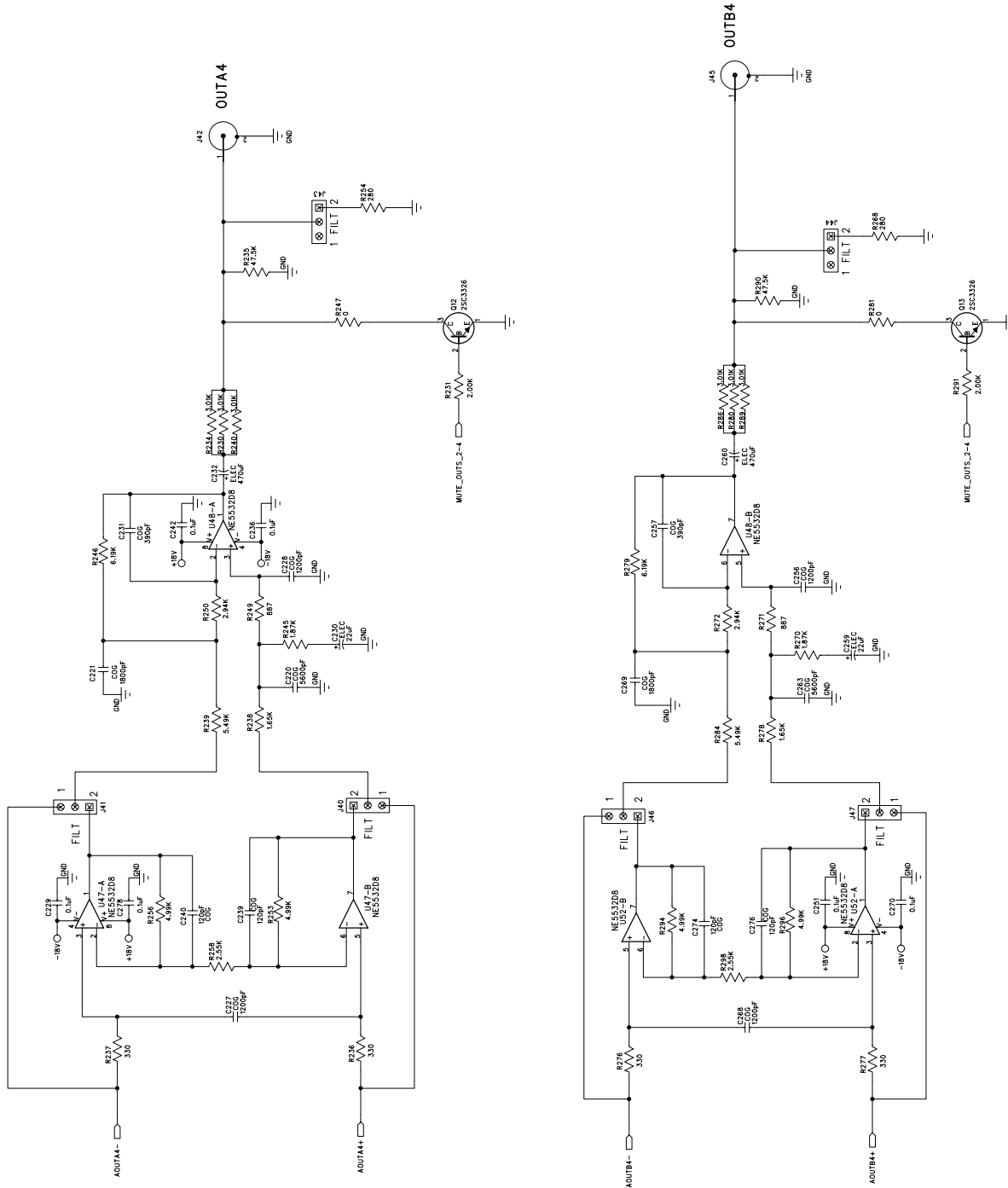

Figure 7. CS5361 External ADC #2

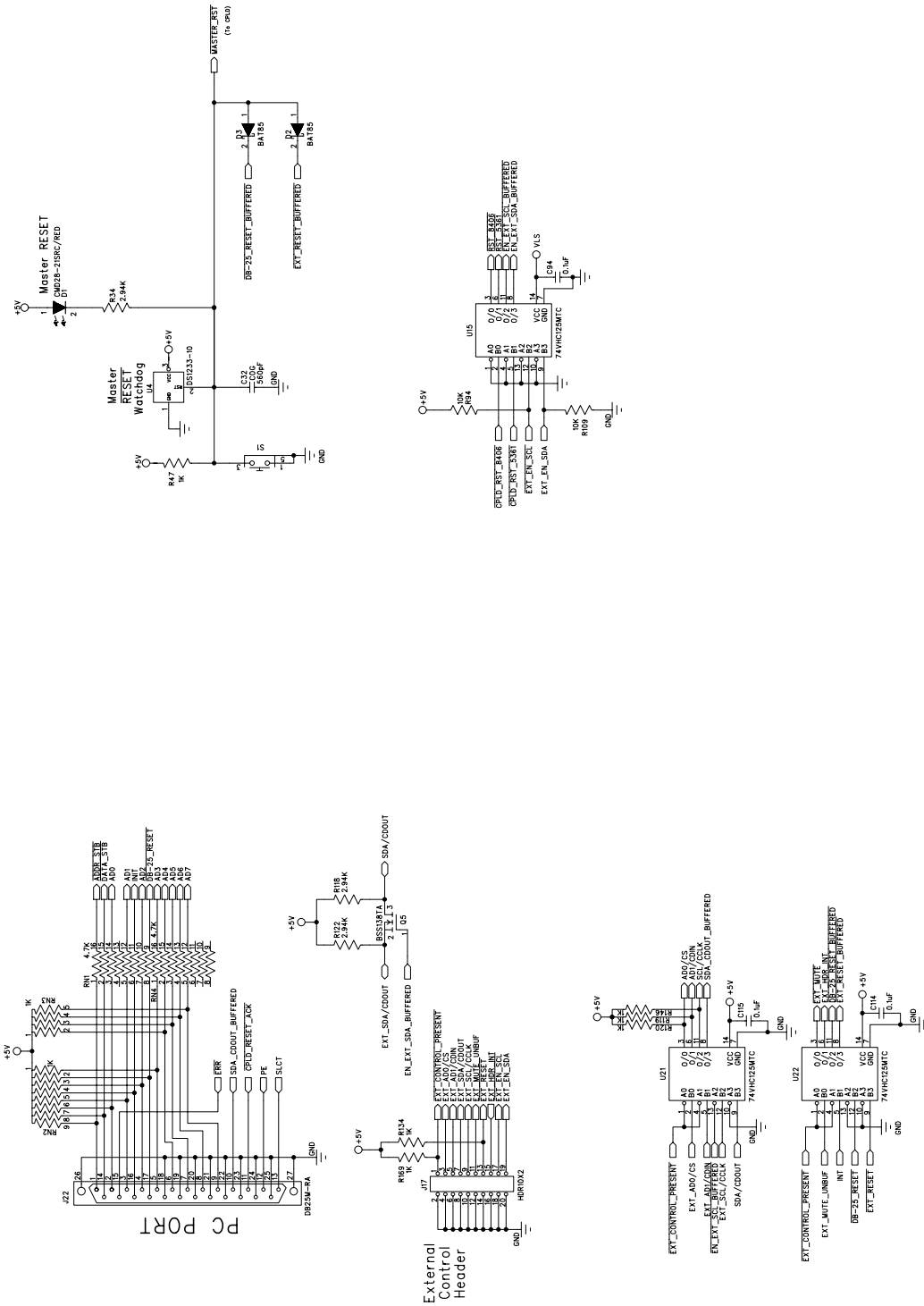

Figure 8. CS424xx Analog Inputs


Figure 9. Analog Outputs A1 and B1


Figure 10. Analog Outputs A2 and B2


Figure 11. Analog Outputs A3 and B3


Figure 12. Analog Outputs A4 and B4


Figure 13. DB-25, Ext Ctrl Header, Reset

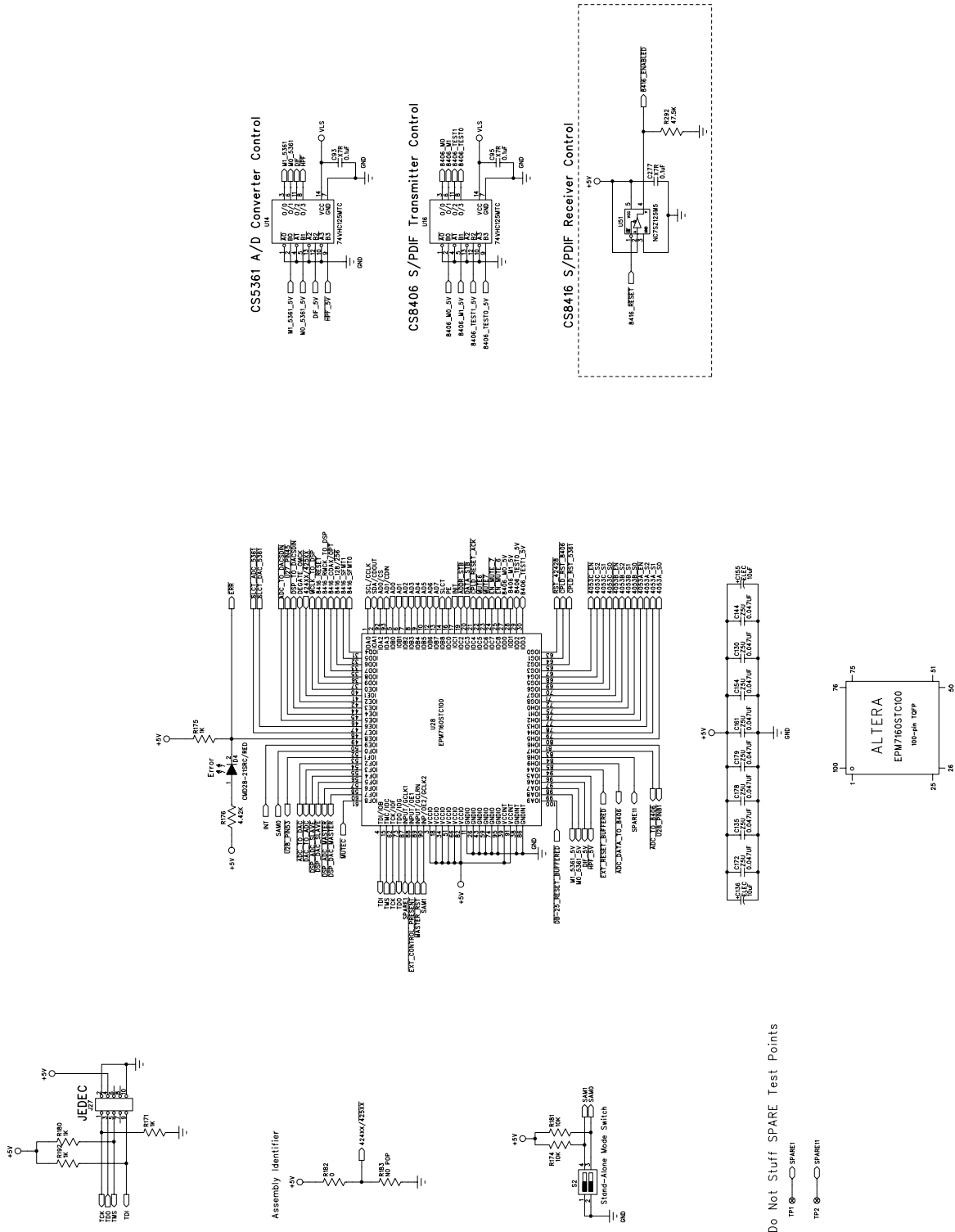


Figure 14. CPL

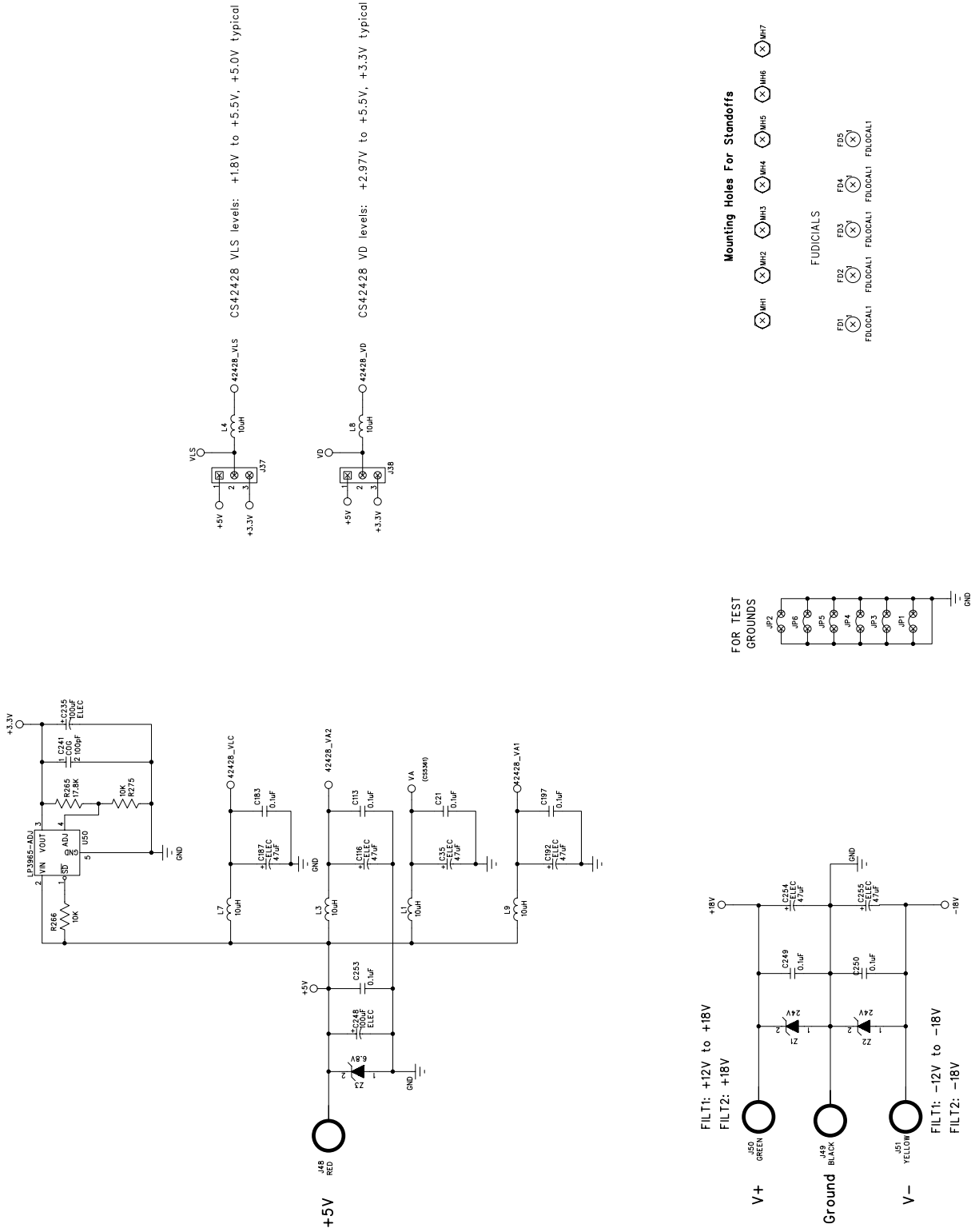
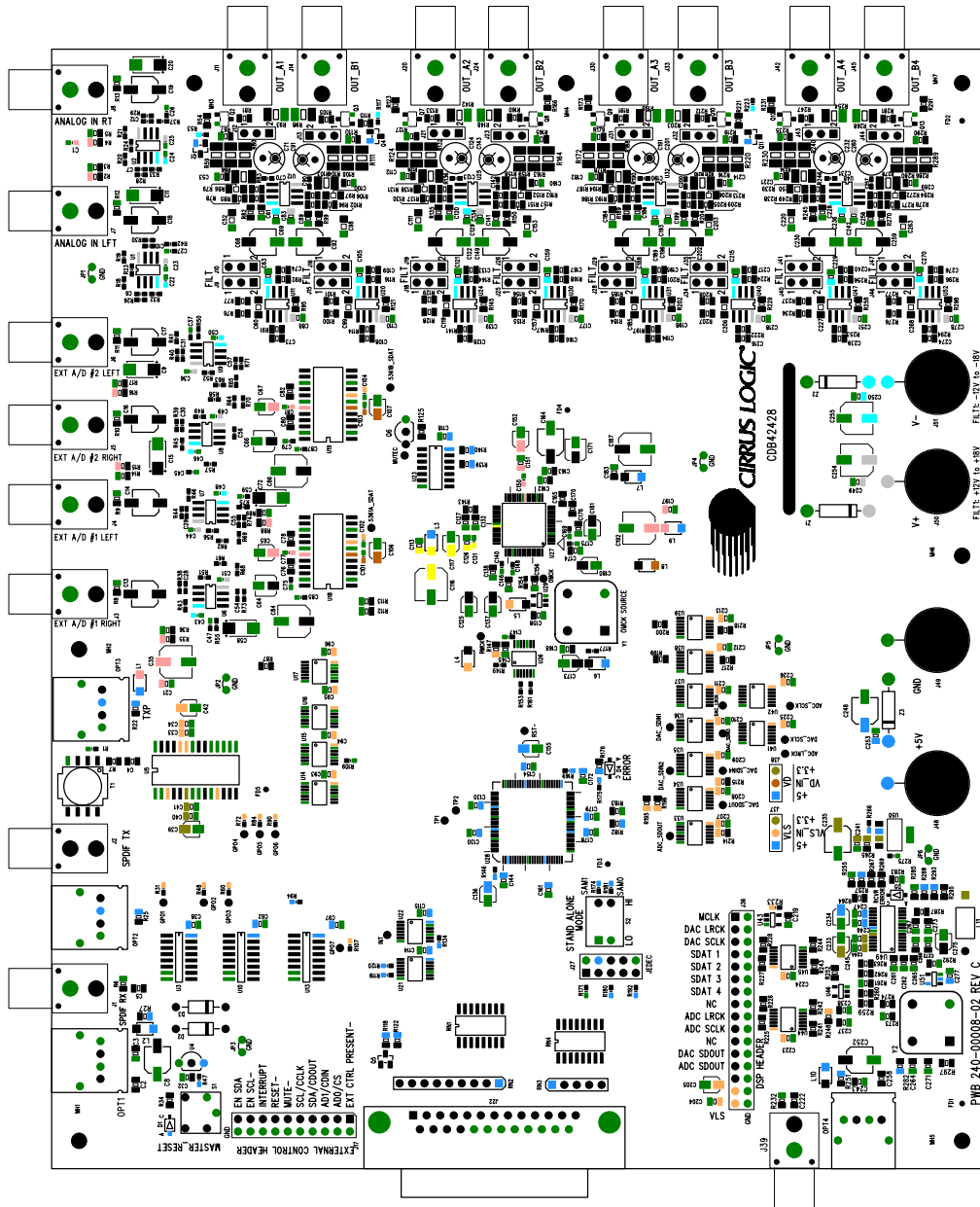


Figure 15. Power



SILKSCREEN TOP2-CDB42428
CDB42528/428 CIRRUS LOGIC

Figure 17. Component Placement and Reference Designators

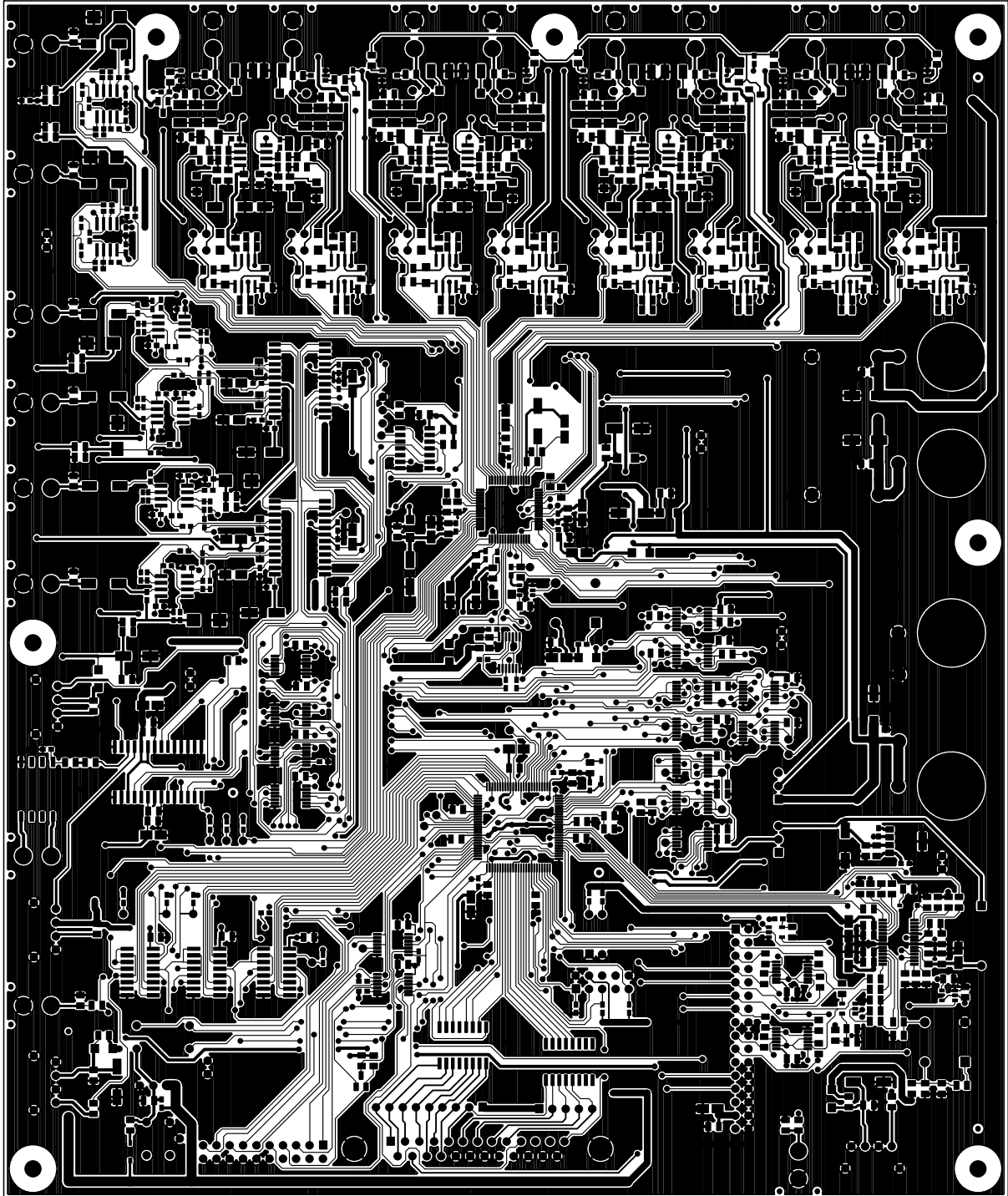


Figure 18. Top Layer

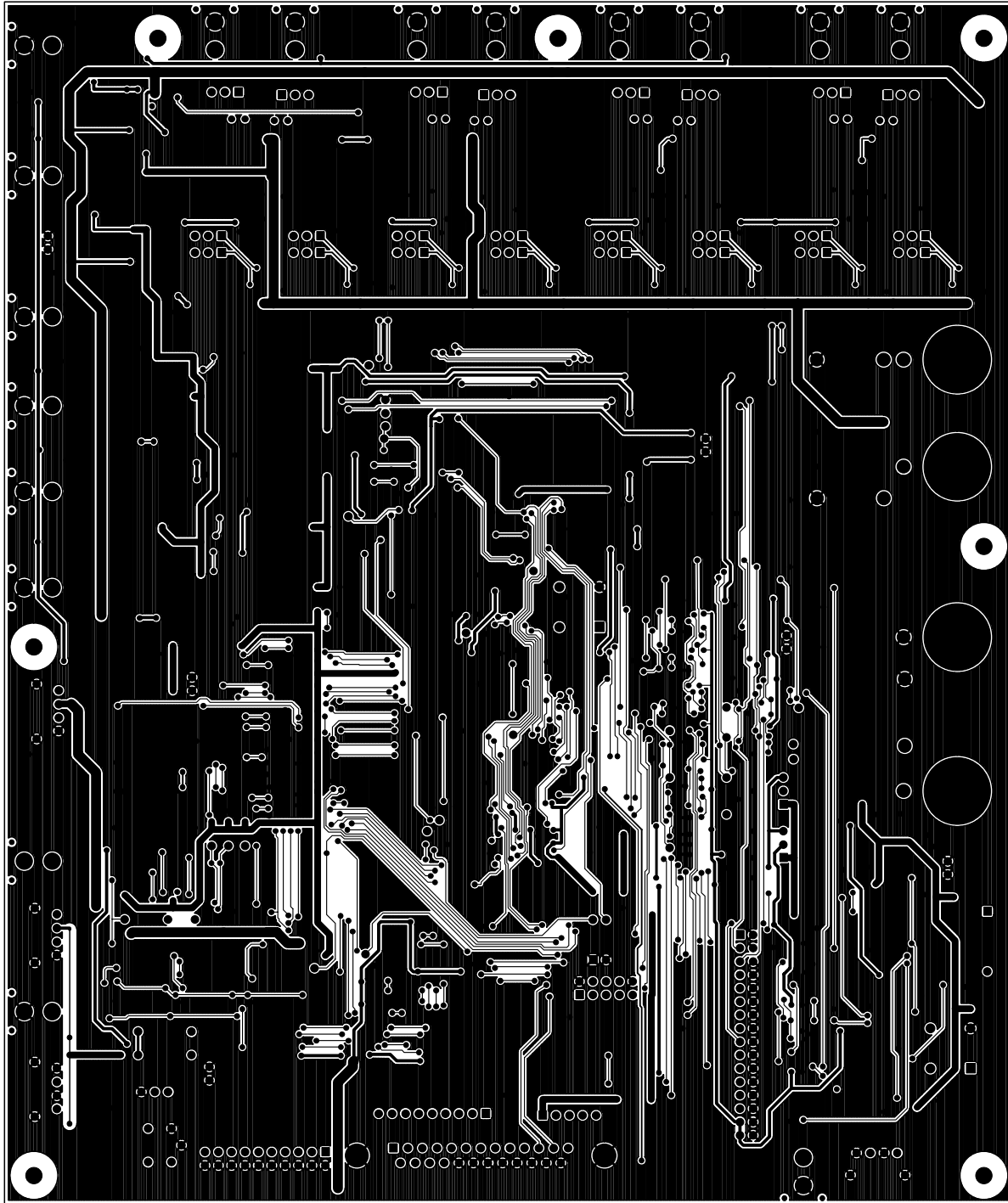


Figure 19. Bottom Layer

6. ADDENDUM

The following silkscreen markings on the evaluation board are mislabeled and should be labeled as specified (all schematic labels in Figures 3-16 are correct):

- 1) DSP HEADER pin 23 (DAC_SDOOUT) should be labeled "DSP_ADC_SDOOUT".
- 2) DSP HEADER pin 25 (ADC_SDOOUT) should be labeled "DSPHDR_PIN25".
- 3) Test point ADC_SDOOUT should be labeled "U27_PIN54".
- 4) Test point DAC_SDOOUT should be labeled "ADC_SDOOUT".

Contacting Cirrus Logic Support

For all product questions and inquiries contact a Cirrus Logic Sales Representative.
To find one nearest you go to www.cirrus.com

IMPORTANT NOTICE

Cirrus Logic, Inc. and its subsidiaries ("Cirrus") believe that the information contained in this document is accurate and reliable. However, the information is subject to change without notice and is provided "AS IS" without warranty of any kind (express or implied). Customers are advised to obtain the latest version of relevant information to verify, before placing orders, that information being relied on is current and complete. All products are sold subject to the terms and conditions of sale supplied at the time of order acknowledgment, including those pertaining to warranty, patent infringement, and limitation of liability. No responsibility is assumed by Cirrus for the use of this information, including use of this information as the basis for manufacture or sale of any items, or for infringement of patents or other rights of third parties. This document is the property of Cirrus and by furnishing this information, Cirrus grants no license, express or implied under any patents, mask work rights, copyrights, trademarks, trade secrets or other intellectual property rights. Cirrus owns the copyrights associated with the information contained herein and gives consent for copies to be made of the information only for use within your organization with respect to Cirrus integrated circuits or other products of Cirrus. This consent does not extend to other copying such as copying for general distribution, advertising or promotional purposes, or for creating any work for resale.

An export permit needs to be obtained from the competent authorities of the Japanese Government if any of the products or technologies described in this material and controlled under the "Foreign Exchange and Foreign Trade Law" is to be exported or taken out of Japan. An export license and/or quota needs to be obtained from the competent authorities of the Chinese Government if any of the products or technologies described in this material is subject to the PRC Foreign Trade Law and is to be exported or taken out of the PRC.

CERTAIN APPLICATIONS USING SEMICONDUCTOR PRODUCTS MAY INVOLVE POTENTIAL RISKS OF DEATH, PERSONAL INJURY, OR SEVERE PROPERTY OR ENVIRONMENTAL DAMAGE ("CRITICAL APPLICATIONS"). CIRRUS PRODUCTS ARE NOT DESIGNED, AUTHORIZED OR WARRANTED FOR USE IN AIRCRAFT SYSTEMS, MILITARY APPLICATIONS, PRODUCTS SURGICALLY IMPLANTED INTO THE BODY, LIFE SUPPORT PRODUCTS OR OTHER CRITICAL APPLICATIONS (INCLUDING MEDICAL DEVICES, AIRCRAFT SYSTEMS OR COMPONENTS AND PERSONAL OR AUTOMOTIVE SAFETY OR SECURITY DEVICES). INCLUSION OF CIRRUS PRODUCTS IN SUCH APPLICATIONS IS UNDERSTOOD TO BE FULLY AT THE CUSTOMER'S RISK AND CIRRUS DISCLAIMS AND MAKES NO WARRANTY, EXPRESS, STATUTORY OR IMPLIED, INCLUDING THE IMPLIED WARRANTIES OF MERCHANTABILITY AND FITNESS FOR PARTICULAR PURPOSE, WITH REGARD TO ANY CIRRUS PRODUCT THAT IS USED IN SUCH A MANNER. IF THE CUSTOMER OR CUSTOMER'S CUSTOMER USES OR PERMITS THE USE OF CIRRUS PRODUCTS IN CRITICAL APPLICATIONS, CUSTOMER AGREES, BY SUCH USE, TO FULLY INDEMNIFY CIRRUS, ITS OFFICERS, DIRECTORS, EMPLOYEES, DISTRIBUTORS AND OTHER AGENTS FROM ANY AND ALL LIABILITY, INCLUDING ATTORNEYS' FEES AND COSTS, THAT MAY RESULT FROM OR ARISE IN CONNECTION WITH THESE USES.

Cirrus Logic, Cirrus, and the Cirrus Logic logo designs are trademarks of Cirrus Logic, Inc. All other brand and product names in this document may be trademarks or service marks of their respective owners.

I2C is a registered trademark of Philips Semiconductor. Purchase of I2C Components of Cirrus Logic, Inc., or one of its sublicensed Associated Companies conveys a license under the Philips I2C Patent Rights to use those components in a standard I2C system.

Microsoft Windows is a registered trademark of Microsoft Corporation.