

Evaluating the AD1937/AD1939 Four ADC/Eight DAC with PLL 192 kHz, 24-Bit Codec

EVAL-AD1937AZ/EVAL-AD1939AZ PACKAGE CONTENTS

- AD1937/AD1939 evaluation board
- USBi control interface board
- USB cable

OTHER SUPPORTING DOCUMENTATION

- [AD1937 data sheet](#)
- [AD1939 data sheet](#)

EVALUATION BOARD OVERVIEW

This document explains the design and setup of the evaluation board for the AD1937 and AD1939. The evaluation board must be connected to an external ± 12 V dc power supply and ground. On-board regulators derive 5 V and 3.3 V supplies for the AD1937/AD1939. The AD1937/AD1939 can be controlled

through an SPI or I²C interface. A small external interface board, EVAL-ADUSB2EBZ (also called USBi), connects to a PC USB port and provides I²C and SPI access to the evaluation board through a ribbon cable. A graphical user interface (GUI) program is provided for easy programming of the chip in a Microsoft® Windows® PC environment. The evaluation board allows demonstration and performance testing of most AD1937/AD1939 features, including four ADCs and eight DACs, as well as the digital audio ports.

Additional analog circuitry (ADC input filters, DAC output filter/buffer) and digital interfaces such as S/PDIF are provided to ease product evaluation.

All analog audio interfaces are accessible with stereo audio, 3.5 mm TRS connectors.

FUNCTIONAL BLOCK DIAGRAM

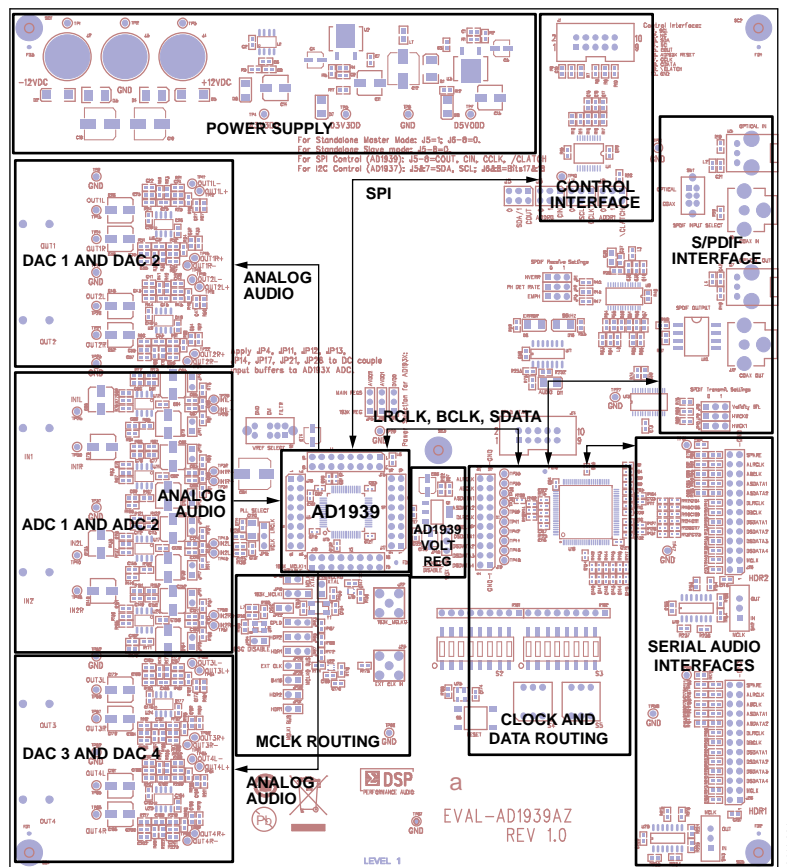


Figure 1.

TABLE OF CONTENTS

EVAL-AD1937AZ/EVAL-AD1939AZ Package Contents.....	1	Powering the Board.....	4
Other Supporting Documentation.....	1	Setting Up the Master Clock (MCLK).....	4
Evaluation Board Overview	1	Configuring the PLL Filter.....	5
Functional Block Diagram	1	Connecting Audio Cables	6
Revision History	2	Switch and Jumper Settings	6
Setting Up the Evaluation Board	3	Rotary and DIP Switch Settings	8
Standalone Mode.....	3	Schematics and Artwork	10
SPI and I ² C Control.....	3	CPLD Code	21
Automated Register Window Builder Software Installation ..	3	Ordering Information.....	27
Hardware Setup—USBi	3	Bill of Materials.....	27

REVISION HISTORY

2/10—Revision 0: Initial Version

SETTING UP THE EVALUATION BOARD

STANDALONE MODE

It is possible to run the board and the AD1937/AD1939 codec in standalone mode, which fixes the functionality of the AD1937/AD1939 into the I²S data format, running at $256 \times f_s$ (default register condition). The ADC BCLK and LRCLK ports are flipped between slave and master (input and output) by tying SDA/COU_T (Pin 31) to low or high. This is accomplished by moving the J5 jumper to either 0 or SDA/1 (see Figure 2 and Figure 3).

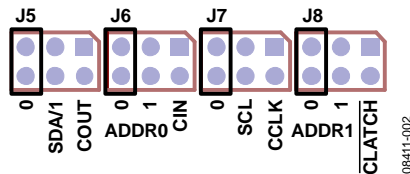


Figure 2. Standalone Slave Mode

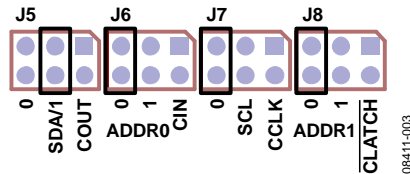


Figure 3. Standalone Master Mode

With the control jumpers set to standalone slave mode, all of S2 and S3 set to off, and both mode switches (S4 and S5) set to 0. The S/PDIF receiver is the LRCLK, BCLK, and SDATA source. The default MCLK jumper setting routes MCLK from the S/PDIF receiver to the AD1937/AD1939. With a valid S/PDIF data stream connected to a selected S/PDIF input port, the board passes audio from the S/PDIF port to all four stereo outputs and from Stereo IN1 to the S/PDIF output ports. IN2 can be selected by changing S3, Position 8, to on. Other serial audio clock and data routing configurations are described in the Switch and Jumper Settings section.

SPI AND I²C CONTROL

The evaluation board can be configured for interactive control of the registers in the AD1937/AD1939 by connecting the SPI or I²C port to the USBi. SPI and I²C jumper settings are shown in Figure 4 and Figure 5. All part variations are SPI (for the AD1939). Note that the **Automated Register Window Builder** software controls the AD1937 (I²C) only when the ADDR jumpers are set to 00 and the correct .xml file is loaded.

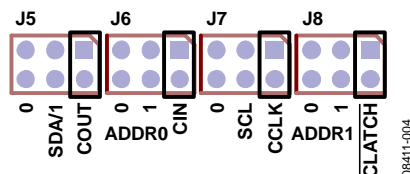


Figure 4. SPI Control

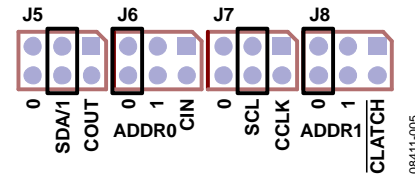


Figure 5. I²C Control

The **Automated Register Window Builder** controls the AD1937/AD1939 and is available at www.analog.com/AD1937 or www.analog.com/AD1939.

AUTOMATED REGISTER WINDOW BUILDER SOFTWARE INSTALLATION

The **Automated Register Window Builder** is a program that launches a graphical user interface for direct, live control of the AD1937/AD1939 registers. The GUI content for a part is defined in a part-specific .xml file; these files are included in the software installation. To install the **Automated Register Window Builder** software, follow these steps:

1. At www.analog.com/AD1937 or www.analog.com/AD1939, find the **Resources & Tools** list.
2. In the list, find **Evaluation Boards & Development Kits** and click **Evaluation Boards/Tools** to open the provided **ARWBvXX.zip** file.
3. Double-click the provided .msi file to extract the files to an empty folder on your PC.
4. Then double-click **setup.exe** and follow the prompts to install the **Automated Register Window Builder**. A computer restart is not required.
5. Copy the .xml file for the AD1937/AD1939 from the extraction folder into the **C:\Program Files\Analog Devices Inc\AutomatedRegWin** folder, if it does not appear in the folder after installation.

HARDWARE SETUP—USBi

To set up the USBi hardware, follow these steps:

1. Plug the USBi ribbon cable into the J1 header.
2. Connect the USB cable to your computer and to the USBi.
3. When prompted for drivers, follow these steps:
 - a. Choose **Install from a list or a specific location**.
 - b. Choose **Search for the best driver in these locations**.
 - c. Check the box **Include this location in the search**.
 - d. Find the USBi driver in **C:\Program Files\Analog Devices Inc\AutomatedRegWin\USB drivers**.
 - e. Click **Next**.
 - f. If prompted to choose a driver, select **CyUSB.sys**.
 - g. If the PC is running Windows XP and you receive a message that the software has not passed Windows logo testing, click **Continue Anyway**.

You can now open the **Automated Register Window Builder** application and load the file for the part onto your evaluation board.

POWERING THE BOARD

The AD1937/AD1939 evaluation board requires power supply input of ± 12 V dc and ground to the three binding posts; +12 V draws ~250 mA, and -12 V draws ~100 mA. The on-board regulators provide two 3.3 V rails and one 5.0 V rail. The 3.3 V rails supply AVDD and DVDD for the AD1937/AD1939; DVDD also supplies power for the peripheral active components on the board. The 5.0 V rail provides voltage only to the AD1937/AD1939 internal regulator, which consists of a PNP pass transistor and a few passive components. The PNP is driven into 3.3 V regulation by the VDRIVE pin of the AD1937/AD1939, with the VSUPPLY and VSENSE pins acting as power and feedback for the regulator. An appropriate sized PNP can supply 3.3 V to the AVDD and DVDD pins of the AD1937/AD1939. The jumper blocks are shown in Figure 6 and Figure 7.

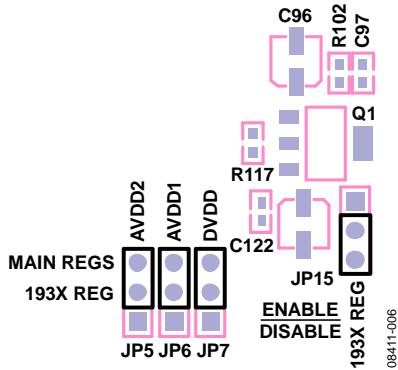


Figure 6. AD1939 Main Regulators Active

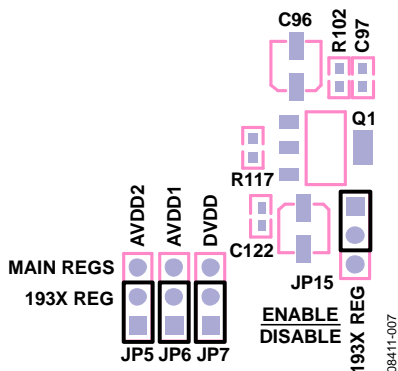


Figure 7. AD1939 Internal Regulator Active

The first step in using the AD1937/AD1939 internal regulator is to provide power to the regulator circuit by moving the AD1937/AD1939 REG jumper from DISABLE to ENABLE, as shown in Figure 7. Three discrete jumpers allow the AD1937/AD1939 to be run from either the main AVDD and DVDD regulators or the AD1937/AD1939 internal regulator. These jumpers also allow measurement of current drawn by the individual sections of the AD1937/AD1939. The only components on the AD1937/AD1939 side of the jumper are the AD1937/AD1939 and the supply decoupling capacitors.

SETTING UP THE MASTER CLOCK (MCLK)

The AD1937/AD1939 evaluation board has a series of jumpers that give the user great flexibility in the MCLK clock source of the AD1937/AD1939. MCLK can come from six different sources: passive crystal, active oscillator, external clock in, S/PDIF receiver, and two header connections. Note that the complex programmable logic device (CPLD) on the board must have a valid clock source; the frequency is not critical. These jumper blocks can assign a clock to the CPLD as well. Most applications of the board use MCLK from either the S/PDIF receiver or one of the header (HDR) inputs. Figure 8 to Figure 10 show the on-board active oscillator disabled so that it does not interfere with the selected clock. The clock feed to the CPLD comes directly from the clock source.

Note that, if the HDR connectors are to be driven with MCLK from a source on the evaluation board, SW2 and/or SW3 must be switched from the IN position to the OUT position.

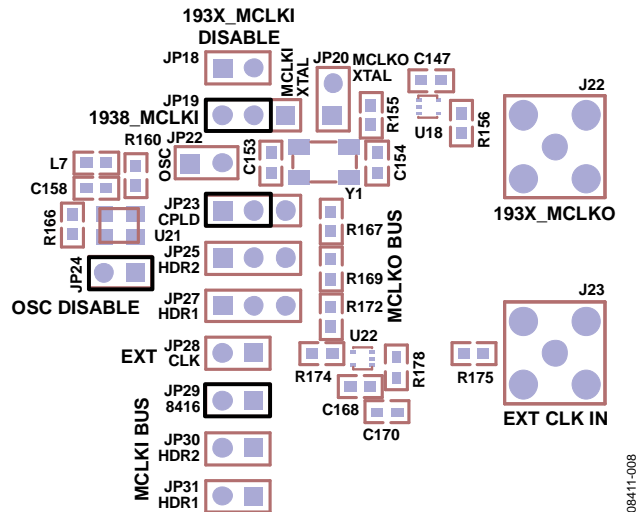


Figure 8. S/PDIF Receiver as MCLK Master; the AD1939 and CPLD as Slaves

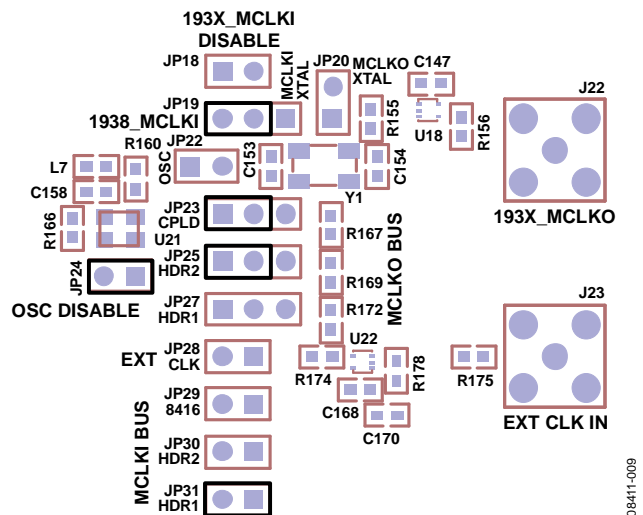


Figure 9. HDR1 as MCLK Master; the AD1939, CPLD, and HDR2 as Slaves

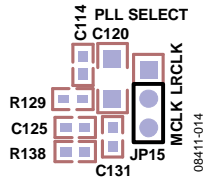


Figure 14. MCLK Loop Filter Selected

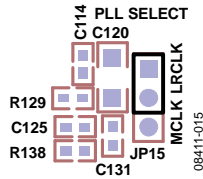


Figure 15. LRCLK Loop Filter Selected

Normally, the MCLK filter is the default selection; it is also possible to use the register control window to program the PLL to run from the LRCLK. In this case, the jumper must be changed as shown in Figure 15.

CONNECTING AUDIO CABLES

Analog Audio

The analog inputs and outputs use 3.5 mm TRS jacks; they are configured in the standard configuration: tip = left, ring = right, sleeve = ground. The analog inputs to IN1 and IN2 generate 0 dBFS from a 1 V rms analog signal. The on-board buffer circuit creates the differential signal to drive the ADC with 2 V rms at the maximum level. The DAC puts out a 1.8 V rms differential signal; this signal becomes single-ended for the OUT connectors. There are test points that allow direct access to the ADC and DAC pins; note that the ADC and DAC have a common-mode voltage of 1.5 V dc. These test points require proper care so that improper loading does not drag down the common-mode voltage, and the headroom and performance of the part do not suffer.

The ADC buffer circuit is designed with a switch (S1) that allows the user to change the voltage reference for all of the amplifiers. GND, CM, and FILTR can be selected as a reference; it is advisable to shut down the power to the board before changing this switch. The CM and FILTR lines are very sensitive and do not react well to a change in load while the AD1937/AD1939 is active. A series of jumpers allows the user to dc-couple the buffer circuit to the ADC analog port when CM and FILTR are selected (see Figure 16).

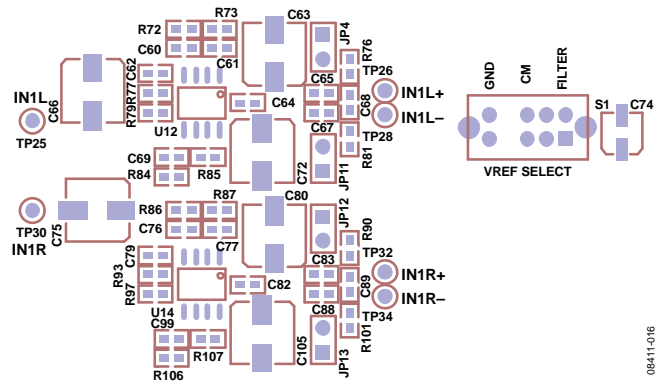


Figure 16. VREF Selection and DC Coupling Jumpers

Digital Audio

There are two types of digital interfacing, S/PDIF and discrete serial. The input and output S/PDIF ports have both optical and coaxial connectors. The serial audio connectors use 1 × 2 100 mil spaced headers with pins for both signal and ground. The LRCLK, BCLK, and SDATA paths are available for both the ADC and DAC on the HDR1 and HDR2 connectors. Each has a connection for MCLK; each HDR MCLK interface has a switch to set the port as an input or output, depending on the master or slave state of the AD1937/AD1939.

SWITCH AND JUMPER SETTINGS

Clock and Control

The AD1937/AD1939 are designed to run in standalone mode at a sample rate (f_s) of 48 kHz, with an MCLK of 12.288 MHz ($256 \times f_s$). In standalone slave mode, both ADC and DAC ports must receive valid BCLK and LRCLK. The AD1937/AD1939 can be clocked from either the S/PDIF receiver or the HDR1 connector; the ADC BCLK and LRCK port sources are selected with SW2, Position 2 and Position 3. For S/PDIF master, both switches should be off. For HDR1, SW2, Position 3, should be on (see the detail in Figure 17 and Figure 18). The DAC BCLK and LRCK port sources are selected with SW2, Position 5 and Position 6. For S/PDIF master, both switches should be off. For HDR1, SW2, Position 6, should be on. Note that HDR2 is not implemented in the CPLD routing code.

It is also possible to configure the AD1937/AD1939 ADC BCLK and LRCK ports to run in standalone master mode; moving J5 to SDA/1, as shown in Figure 3, changes the state of the AD1937/AD1939. Setting SW2, Position 2 and Position 5, to on selects the proper routing to both the S/PDIF receiver and the HDR1 connector. In this mode, the AD1937/AD1939 ADC port generates BCLK and LRCLK when given a valid MCLK.

For the full flexibility of the AD1937/AD1939, the part can be put in SPI/I²C control mode and programmed with the **Automated Register Window Builder** application (see Figure 4 and Figure 5 for the appropriate jumper settings). Changing the registers and setting the DIP switches allow many possible configurations. In the various master and slave modes, the AD1937/AD1939 take MCLK from a selected source and can be set to generate or receive either BCLK or LRCLK to or from either the ADC or the DAC port, depending on the settings and requirements.

As an example, to set the ADC port as master, switch the ADC Control 2 register bits for BCLK and LRCLK to master, and change SW2, Position 2 and Position 5, to on. In this mode, the board is configured so that the ADC BCLK and LRCLK pins are the clock source for both the ADC destination and the DAC data source. For the DAC port to be the master, the DAC Control 1 register bits for BCLK and LRCLK must be changed to master, and SW2, Position 2 and Position 3, and SW2, Position 5 and Position 6, must all be on. On this evaluation board, these settings allow the master port on the AD1937/AD1939 to drive both the S/PDIF and the HDR connections. Many combinations of master and slave are possible (see Figure 17 and Figure 18 for the correct settings).

S/PDIF Audio

The settings in Figure 17 and Figure 18 show the details of clock routing and control for both the ADC and DAC ports. The board is shipped with the S/PDIF port selected as the default; the hex switches are set to 0, and all DIP switches are set to off. The AD1937/AD1939 are shipped in standalone slave mode (see Figure 2); the BCLK and LRCLK signals run from the S/PDIF receiver to both ADC and DAC ports of the AD1937/AD1939.

In this default configuration, the DAC audio path routes the S/PDIF audio signal to all four stereo AD1937/AD1939 DSDATA inputs simultaneously. The rotary switch, S4, allows the user to select individual stereo pairs for transmission of the analog signal. Position 0 is the default; Position 1 to Position 4 allow the S/PDIF input signal to be assigned to Pair 1 to Pair 4, respectively.

Also in this default configuration, IN1 analog is routed through the AD1937/AD1939 ADC ASDATA1 path to the S/PDIF output. IN2 is selected by changing the S3 DIP switch, Position 8, from 0 to 1.

HDR Connectors—Serial Audio

Routing of serial audio to and from the HDR1 connector is controlled by DIP SW3, Position 6 and Position 7, and Rotary S4. For the DAC audio signal path, S4, Position 8, assigns the data signal coming into HDR1 DSDATA1 to all four DSDATA ports on the AD1937/AD1939. S4, Position 9, assigns the HDR1 labeled ports to the associated port on the AD1937/AD1939.

Other Options

It is possible to mute all data going to the DSDATA ports of the AD1937/AD1939 by selecting S4, Position 7. This shows the SNR of the DACs.

To use other f_s rates, the USBi must be connected and the AD1937/AD1939 registers must be programmed accordingly. For example, adjusting the f_s rate to 96 kHz requires that the ADC and DAC Control 0 registers have sample rates set to 96 kHz (see Figure 17 and Figure 18 for the complete list of options).

The CPLD code is presented in the CPLD Code section and is included with the evaluation board; alterations and additions to the functionality of the CPLD are possible by altering the code and reprogramming the CPLD.

ROTARY AND DIP SWITCH SETTINGS

Z101-017

AD193X/ADAU132X Rev-E Evaluation Board Configuration: (* indicates default setting)

- 1) DIP Switch S2 Position-8 (SPDIF_RX_TX reset) must be toggled after power-up for proper operation of the SPDIF receiver and transmitter.
 - 2) The AD193x evaluation board defaults the AD193x codec to standalone mode preventing SPI/I²C operation. The J5, J6, J7, and J8 header jumpers can be changed for SPI/I²C operation.
- ADC and DAC Serial Clock (BCLK, LRCLK) Source Selection and Routing (Switch S2)**
- 1) DIP Switch S2 controls the AD193x ADC and DAC serial clock source selection. One of four clock sources is selected based on the setting. SPDIF Receiver CS8416, Header Connector HDR1, ADC serial clocks, or DAC serial clock can be the clock source. ADC and DAC serial clock selection is controlled independently.
 - 2) The AD193x master clock source should be selected using the JP28, JP29, JP30, and JP31 header jumpers such that the MCLK source is in sync with the DAC/ADC serial clock and data source.

DIP Switch S2 position:		Description	
Position-1		Description	
Off*	Enable	Enable ADC clocks	
On	Disable	Tristate ADC clocks	

Position-2		Position-3		Position-4		Position-5		Position-6		Position-7		Position-8	
ABCLK Source	ALRCLK Source	SPDIF_Rx Clocks	SPDIF_Tx Clocks	HDR1 Clocks	ADC Clocks	DAC Clocks	DBCLK Source	DLRCLK Source	SPDIF_Rx Clocks	SPDIF_Tx Clocks	HDR1 Clocks	ADC Clocks	DAC Clocks
Off*	SPDIF_RX_8416	Master	Slave	Slave	Slave	N/A	Off*	SPDIF_RX_8416	Master	Slave	Slave	N/A	N/A
On	HDR1_ABCLK	Slave	Slave	Master	Slave	N/A	On	HDR1_DBCLK	Slave	Slave	Master	N/A	Slave
On	ADC-ABCLK	Slave	Slave	Slave	Master	N/A	On	ADC-ABCLK	Slave	Slave	Slave	Master	Slave
On	DAC-DBCLK	Slave	Slave	Slave	Slave	Master	On	DAC-DBCLK	Slave	Slave	Slave	N/A	Master

Position-4		Position-6	
Description		Description	
Off*	Enable	DBCLK Source	Off*
On	Disable	Tristate DAC clocks	On

Position-7		Position-8	
Description		Description	
SPDIF_RX_TX MCLK Rate	SPDIF_RX_TX CS8406 MCLK Jumper Settings	SPDIF_TX_RX RESETB	
SPDIF_RX_TX MCLK Rate = 256xfs	JP10	SPDIF_RX_TX in active mode	
SPDIF_RX_TX MCLK Rate = 128xfs	JP9	SPDIF_RX_TX in reset mode	
0	0		
1	1		

(Note: This position must be toggled after power-up for proper operation.)

SPDIF RX - CS8416 Jumpers		SPDIF TX - CS8406 MCLK Rate Jumper Settings	
JP1	JP2	JP9	JP10
0 = Normal update rate phase detector, increased clock jitter	0 = NVERR selected	0 = Emphasis audio match off	0 = SPDIF_TX MCLK Rate = 256xfs
1 = High update rate phase detector, low clock jitter	1 = RERR selected	1 = Emphasis audio match on	1 = SPDIF_TX MCLK Rate = 128xfs

SPDIF TX - CS8406 Jumpers	
JP18	JP19
0 = the V pin input determines the state of the validity bit in the outgoing AES3 transmitted data	0 = SPDIF_TX MCLK Rate = 256xfs
1 = the V pin input determines the state of the validity bit in the outgoing AES3 transmitted data	1 = SPDIF_TX MCLK Rate = 128xfs

Figure 17. Settings Chart 1

DAC and ADC Serial Data (DSDATA/ASDATA) Source Selection and Routing (Switch S4 and Switch S3)

Rotary hex Switch S4 selects the AD193x DAC serial data source. The DAC data source can be either SPDIF Receiver CS8416 or can be provided by the Header Connector HDR1. It is important to note that the DAC data source should be in sync with the DAC serial/port clock source (set by DIP Switch S2, Positions {5:6}). DIP Switch S3 routes the ADC serial data among AD193x, SPDIF Transmitter CS8406, and Header Connector HDR1 in stereo, TDM, and aux mode.

***** Signal sources to the DAC data lines (DSDATA1/2/3/4) fill the columns, column header is the destination *****		***** Column content indicates the direction of the DAC data pins and corresponding HDR1 connector DAC data pins *****			
S4 Position	DAC Serial Format	DAC2 (DSDATA2)	DAC3 (DSDATA3)	DAC4 (DSDATA4)	Description
0*	Stereo	SPDIF_RX_8416	SPDIF_RX_8416	SPDIF_RX_8416	SPDIF_RX_8416 stereo data to all eight DAC channels
1	Stereo	SPDIF_RX_8416	HDR1_DSDATA3	HDR1_DSDATA4	SPDIF_RX_8416 stereo data to DAC1 only, rest DACs2/3/4 data from HDR1 connector
2	Stereo	HDR1_DSDATA1	HDR1_DSDATA3	HDR1_DSDATA4	SPDIF_RX_8416 data to DAC2 only, rest DACs1/3/4 data from HDR1 connector
3	Stereo	HDR1_DSDATA1	SPDIF_RX_8416	HDR1_DSDATA4	SPDIF_RX_8416 data to DAC3 only, rest DACs1/2/4 data from HDR1 connector
4	Stereo	HDR1_DSDATA1	HDR1_DSDATA3	SPDIF_RX_8416	SPDIF_RX_8416 data to DAC4 only, rest DACs1/2/3 data from HDR1 connector
5	N/A	N/A	N/A	N/A	
6	N/A	N/A	N/A	N/A	
7	Stereo/TDM	ZERO DATA	ZERO DATA	ZERO DATA	Source zero data to all eight DAC channels
8	Stereo	HDR1_DSDATA1	HDR1_DSDATA1	HDR1_DSDATA1	HDR1 Connector Signal HDR1_DSDATA1 drives all four DAC pairs
9	Stereo	HDR1_DSDATA1	HDR1_DSDATA2	HDR1_DSDATA4	HDR1 Connector Data Lines DSDATA1, DSDATA2... so on drive corresponding DAC data lines
A	TDM	HDR1_DSDATA1	HDR1_DSDATA2	HDR1_DSDATA4	HDR1 Connector Data Lines DSDATA1, DSDATA2... so on drive/receive corresponding DAC data lines in TDM mode
B	Dual-Line TDM	HDR1_DSDATA1	HDR1_DSDATA2	HDR1_DSDATA4	HDR1 Connector Data Lines DSDATA1, DSDATA2... so on drive/receive corresponding DAC data lines in TDM mode
C	DAC aux mode	HDR1_DSDATA1	Aux ADC1 input	Aux DAC2 output	HDR1 Connector Data Lines DSDATA1, DSDATA2... so on drive/receive corresponding DAC data lines in TDM mode
D					
E					
F	Stereo/TDM	TRISTATE	TRISTATE	TRISTATE	Tristate all DAC data lines, DSDATA1, DSDATA2, DSDATA3, and DSDATA4

S4 Position	DAC1 (DSDATA1)	DAC2 (DSDATA2)	DAC3 (DSDATA3)	DAC4 (DSDATA4)	HDR1_DSDATA1	HDR1_DSDATA2	HDR1_DSDATA3	HDR1_DSDATA4	SPDIF_Rx Data	HDR1 Data
0*	Input	Input	Input	Input	N/A	N/A	N/A	N/A	Master	
1	Input	Input	Input	Input	N/A	Input	Input	Input	Master	
2	Input	Input	Input	Input	Input	N/A	Input	Input	Master	
3	Input	Input	Input	Input	Input	Input	N/A	Input	Master	
4	Input	Input	Input	Input	Input	Input	Input	N/A	Master	
5										
6										
7	Input	Input	Input	Input	Output	Output	Output	Output	N/A	Master
8	Input	Input	Input	Input	Input	Input	Input	Input	N/A	Master
9	Input	Input	Input	Input	Input	Input	Input	Input	N/A	Master
A	Input	Input	Input	Input	Input	Input	Input	Input	N/A	Master
B	Output	Output	Output	Output	Input	Input	Input	Input	N/A	Master
C	Output	Output	Output	Output	Input	Input	Input	Input	N/A	Master
D	Input	Input	Input	Input	Input	Input	Input	Input	N/A	Master
E										
F	TRISTATE	TRISTATE	TRISTATE	TRISTATE	TRISTATE	TRISTATE	TRISTATE	TRISTATE		

DIP Switch S3 Position:	Position-6	Position-7	ADC Serial Format	HDR1_ASDATA1	HDR1_ASDATA2	Description (HDR1 ADC Data Source Selection)
Off*	Off	Off	Stereo	ASDATA1	ASDATA2	HDR1 Connector ADC Data Lines ASDATA1 and ASDATA2 receive corresponding ADC data stream
On	Off	On	Stereo	ASDATA2	ASDATA1	HDR1 Connector ADC Data Line ASDATA1 receive ADC2 data line ASDATA2
On	Off	Off	TDM	ASDATA1	ASDATA2	HDR1 Connector ADC Data Line ASDATA1 receive ADC TDM out data stream
On	On	Off	ADC Aux (see note)	ASDATA1	ASDATA2	HDR1 Connector ADC Data Line ASDATA1 receive ADC TDM out data stream

DIP Switch S3 Position:	Position-6	Position-7	HDR1_ASDATA1	HDR1_ASDATA2	ADC1 (ASDATA1)	ADC2 (ASDATA2)
Off*	Off	Off	Output	Output	Output	Output
Off	On	Off	Output	Output	Output	Output
On	Off	On	Output	Output	Output	Output
On	On	Off	Output	Output	Output	Output

DIP Switch S3 Position:

- Off* ADC1 Data Stream ASDATA1 is sourced to the SPDIF_Tx_8406.
- On ADC2 Data Stream ASDATA2 is sourced to the SPDIF_Tx_8406.

Figure 18. Settings Chart 2

SCHEMATICS AND ARTWORK

08411-019

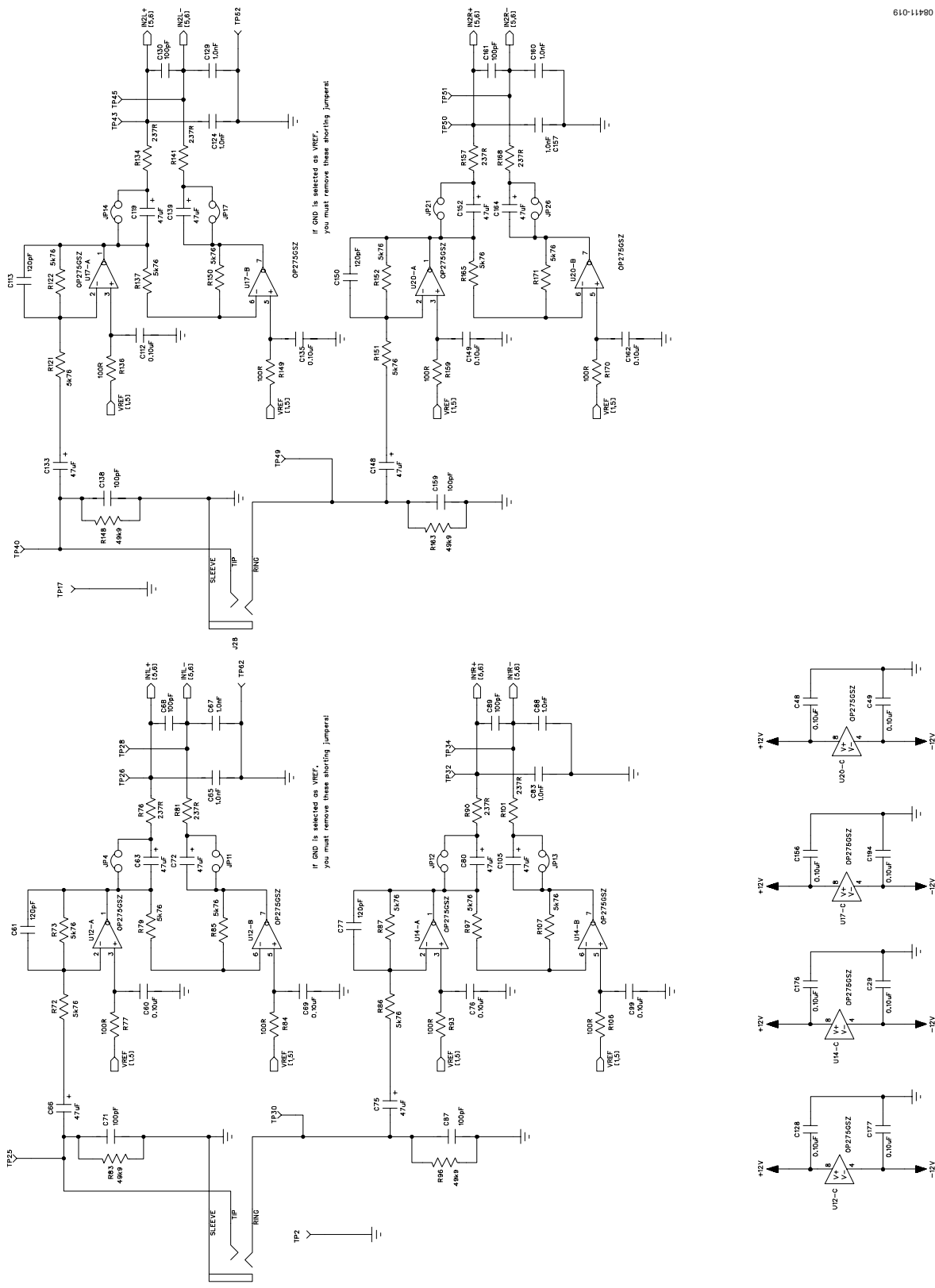


Figure 19. Board Schematics, Page 1—ADC Buffer Circuits

08411-020

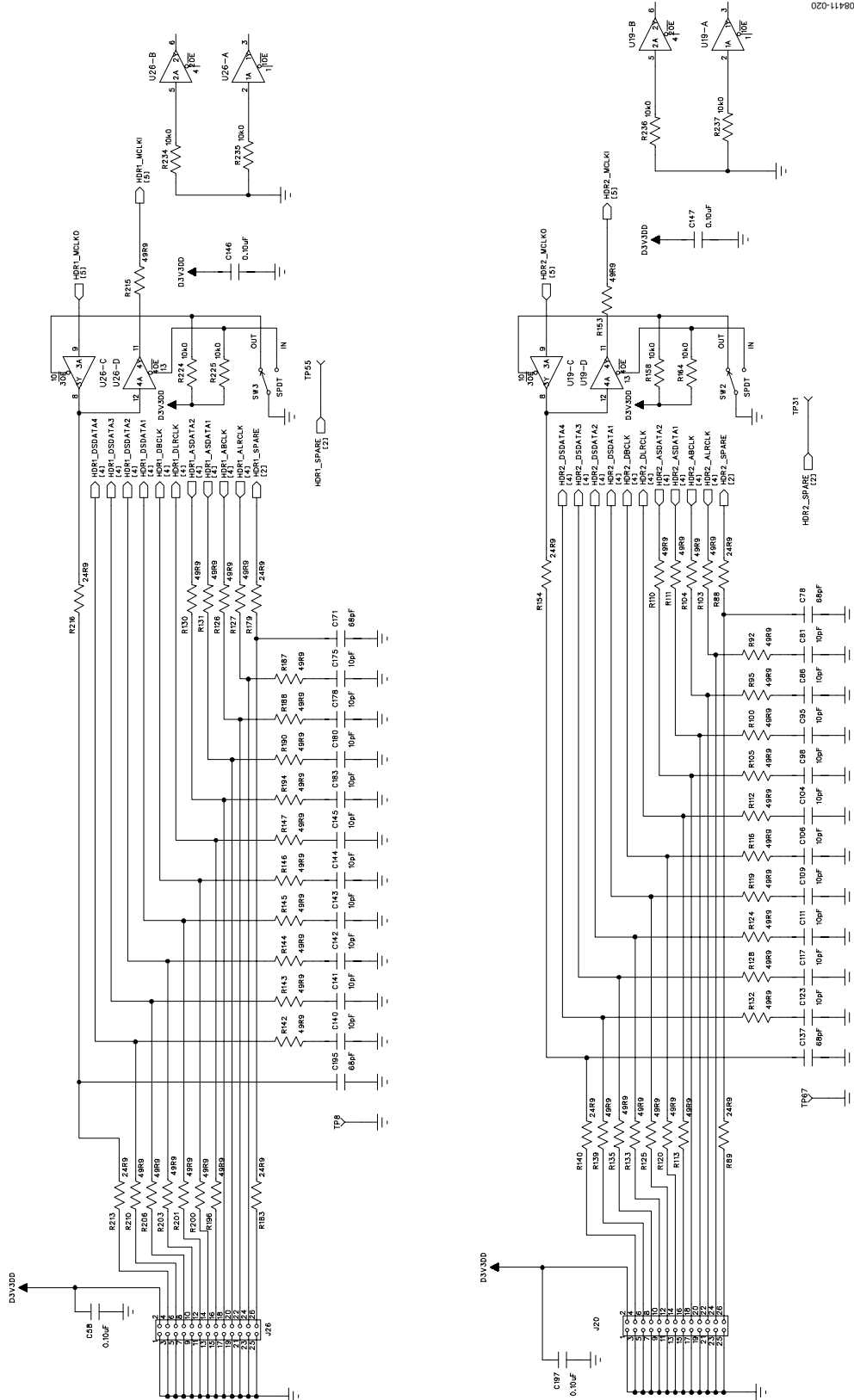


Figure 20. Board Schematics, Page 2—Serial Digital Audio Interface Headers with MCLK Direction Switching

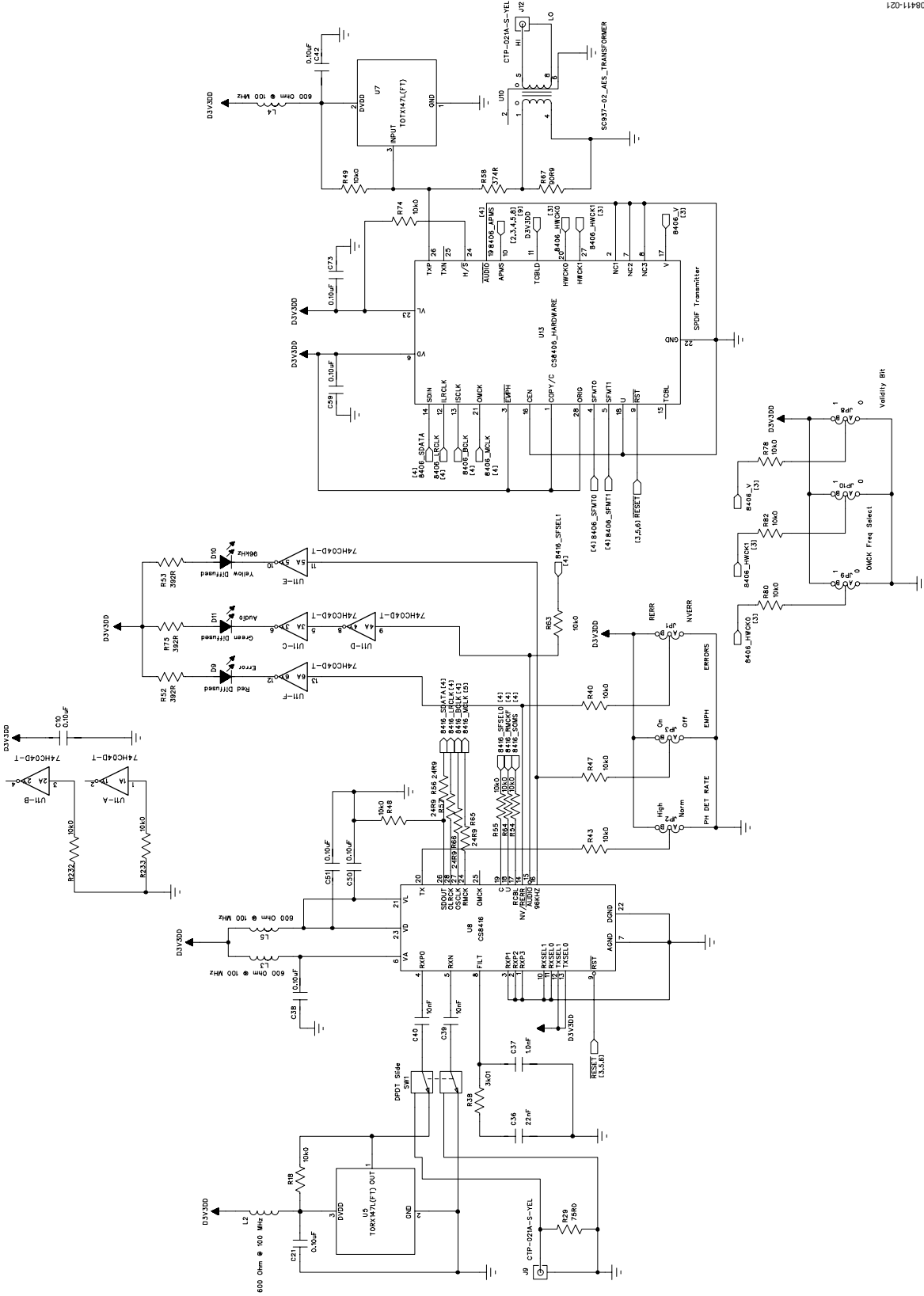


Figure 21. Board Schematics, Page 3—S/PDIF Receive and Transmit Interfaces

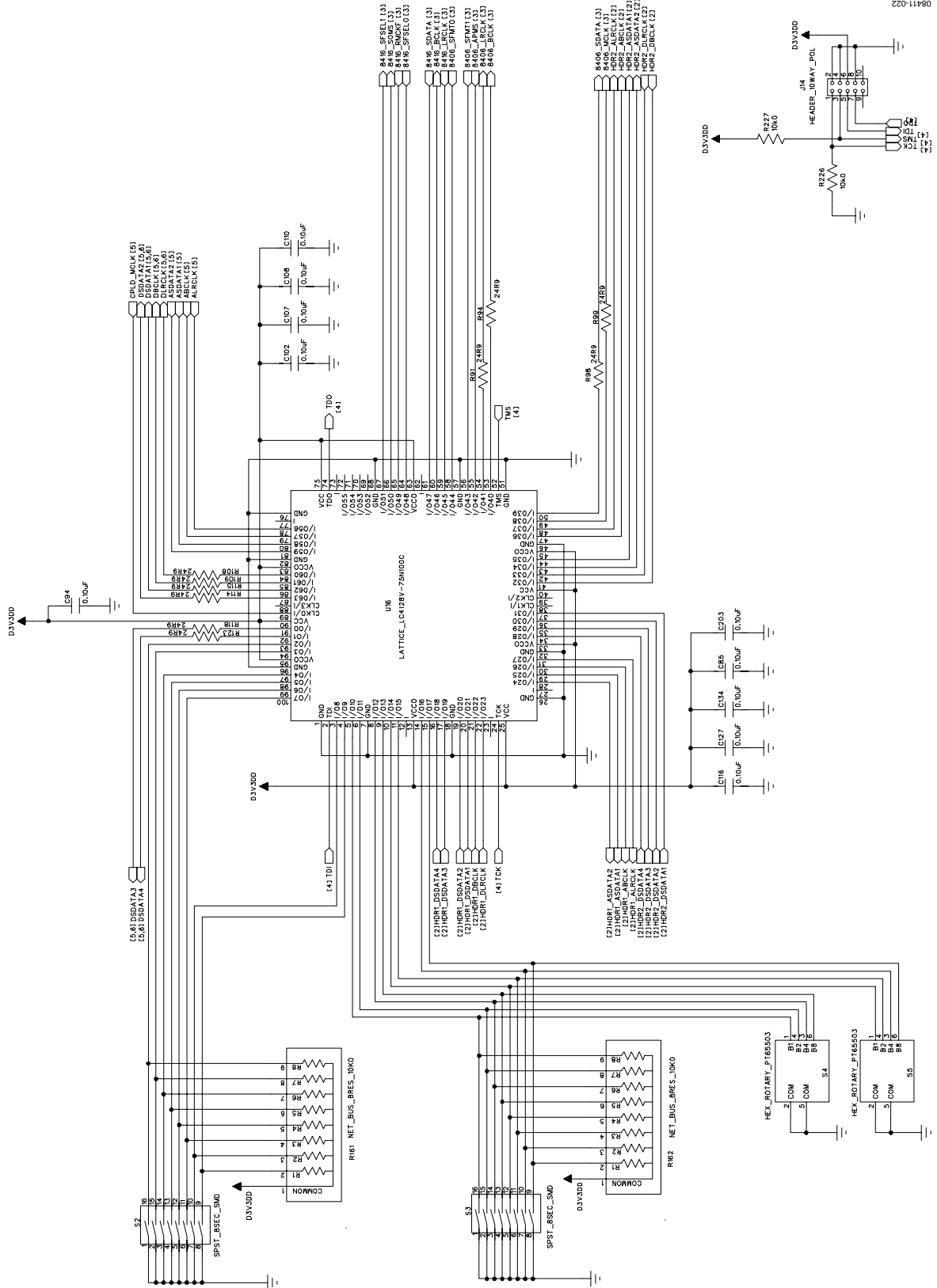


Figure 22. Board Schematics, Page 4—Serial Digital Audio Routing and Control CPLD

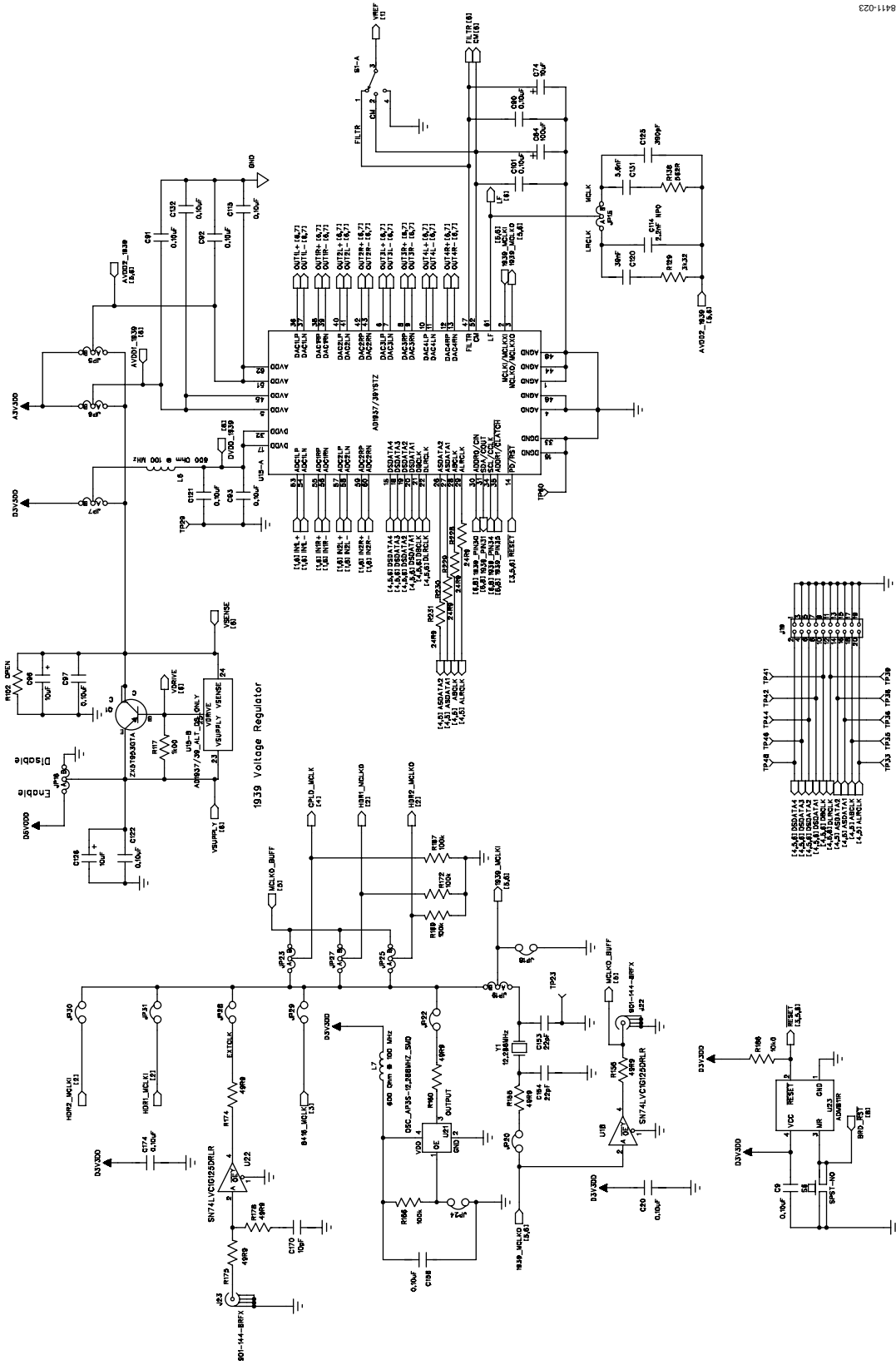


Figure 23. Board Schematics, Page 5—AD1937/AD1939 with MCLK Selection Jumpers

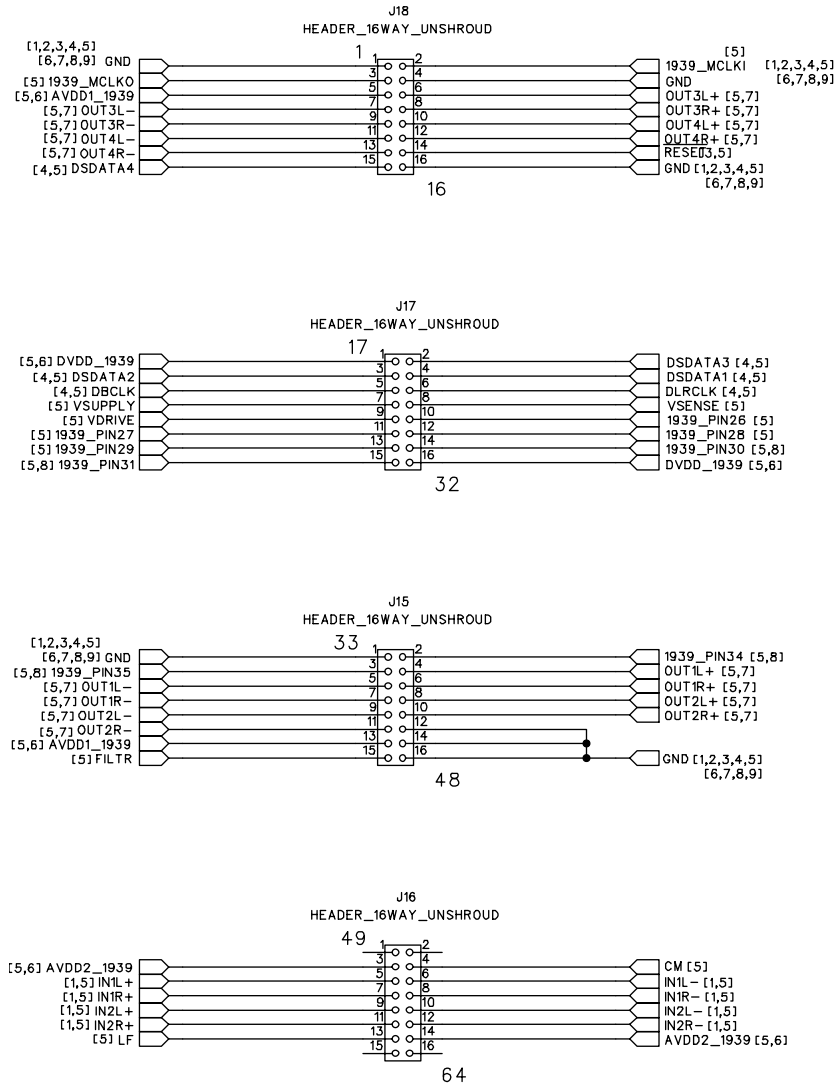


Figure 24. Board Schematics, Page 6—Daughter Card Interface, Useful as Test Points

08411-024

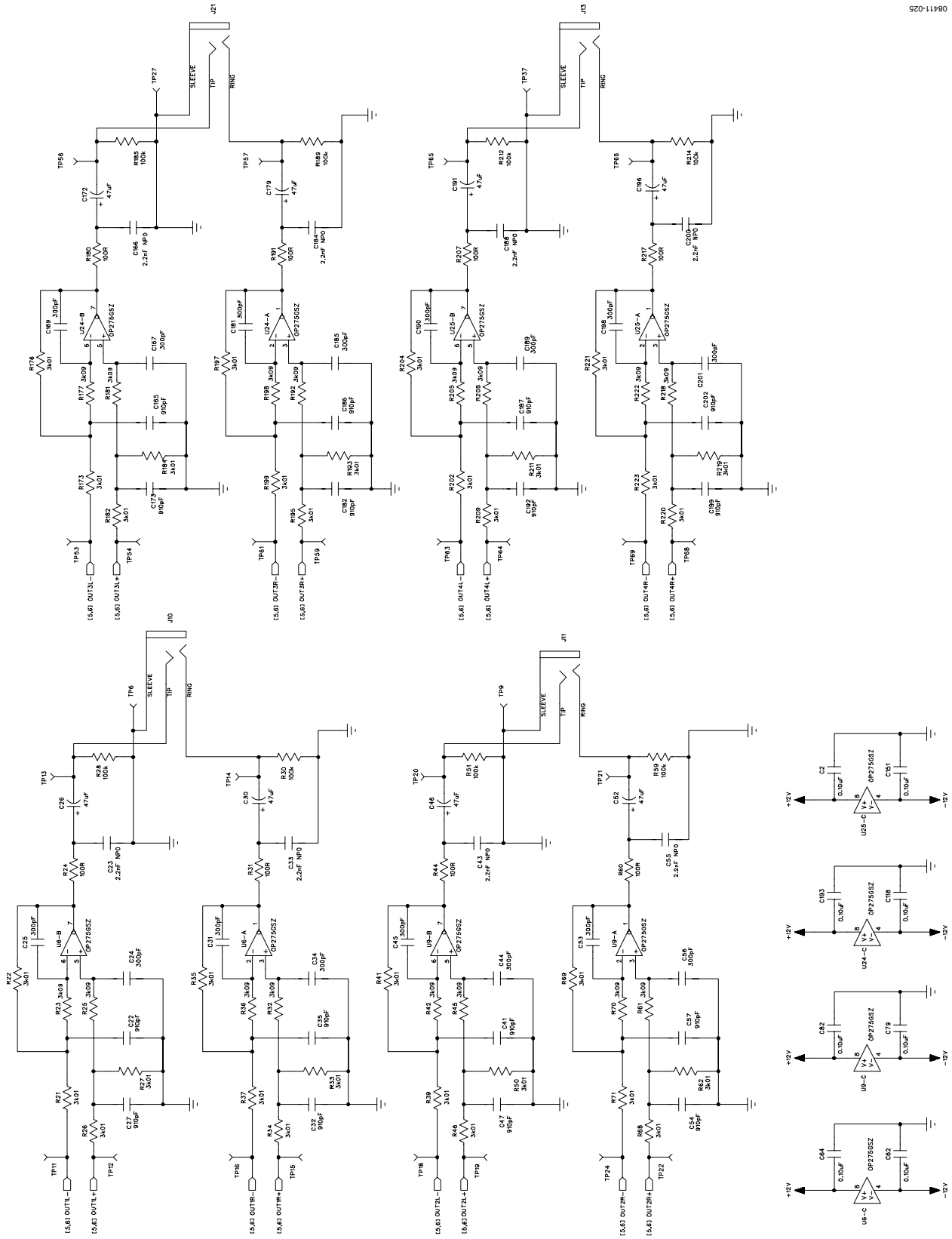
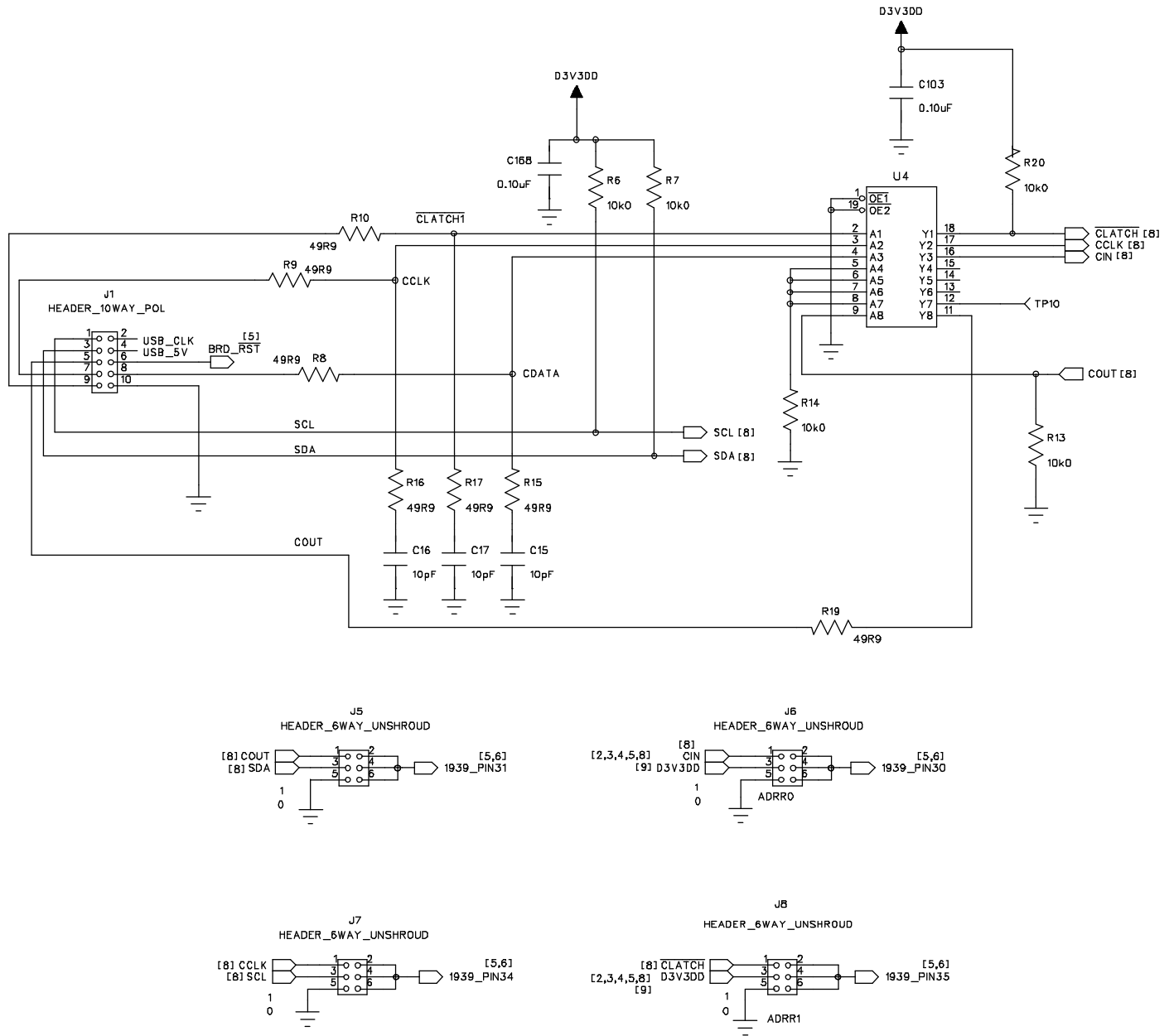


Figure 25. Board Schematics, Page 7—DAC Buffer Circuits



For AD1939 (SPI), JP5–8 to 1–2 position.
 For AD1937 (I2C), JP5&7 to 3–4 to select I2C mode.
 AD1937 (I2C) ADDR jumpers (J6&8) must match Global Address Bits
 For Standalone Master mode: All=0, except 1939_PIN31=SDA (J5).
 For Standalone Slave mode: All=0.
 Any change to this configuration requires that the part be reset.

Figure 26. Board Schematics, Page 8—SPI and PC Control Interface

08411-026

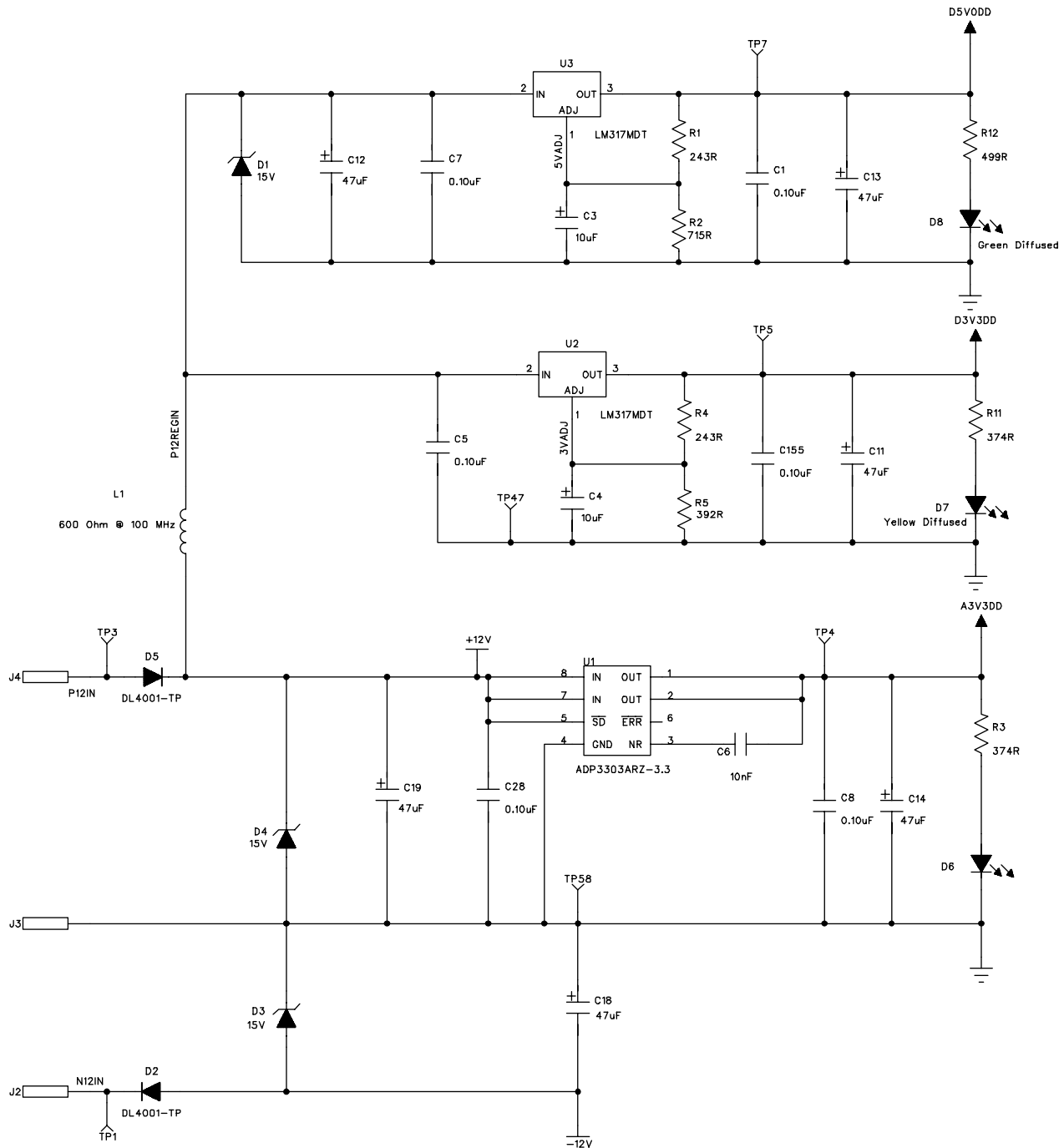


Figure 27. Board Schematics, Page 9—Power Supply

08411-027

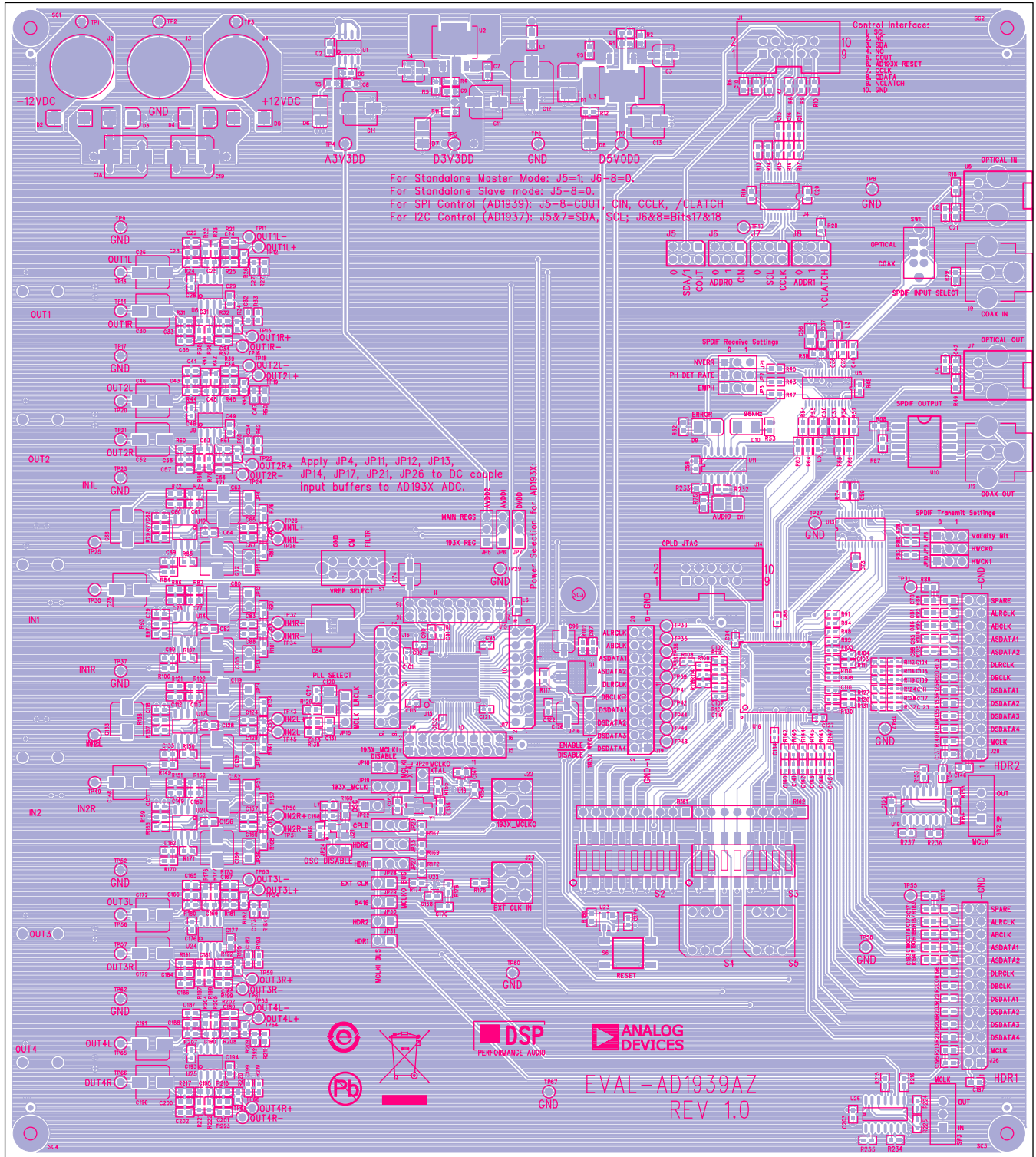


Figure 28. Top Assembly Layer

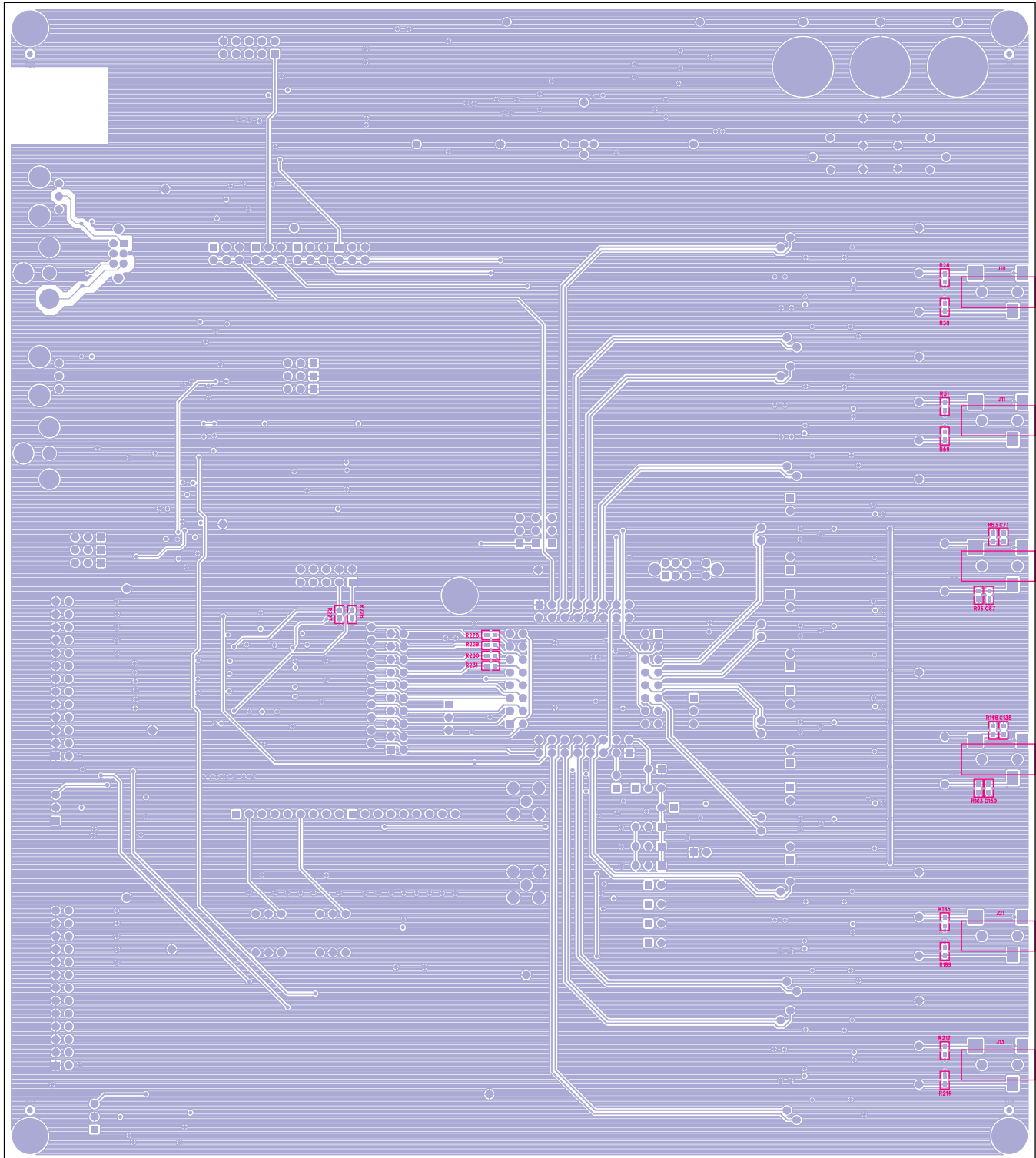


Figure 29. Bottom Assembly Layer

08411-029

CPLD CODE

```

MODULE                                IF_Logic
TITLE  'AD1939 EVB Input Interface Logic'
//=====
// FILE:                                AD1939_pld_revE.abl
// REVISION DATE:                        04-16-09 (rev-E)
// REVISION:                              E
// DESCRIPTION:
//=====

LIBRARY 'MACH';

"INPUTS -----
// AD1939 CODEC pins
DSDATA1,DSDATA2                       pin 86, 87 istype 'com';
DSDATA3,DSDATA4                       pin 91, 92 istype 'com';
DBCLK,DLRCLK                           pin 85, 84 istype 'com';
ASDATA1,ASDATA2                       pin 80, 81 istype 'com';
ABCLK,ALRCLK                           pin 78, 79 istype 'com';

// 25-pin header connector HDR1 pins
HDR1_DSDATA1                          pin 20 istype 'com';
HDR1_DSDATA2                          pin 19 istype 'com';
HDR1_DSDATA3                          pin 17 istype 'com';
HDR1_DSDATA4                          pin 16 istype 'com';
HDR1_DBCLK                             pin 21 istype 'com';
HDR1_DLRCLK                            pin 22 istype 'com';
HDR1_ASDATA1                          pin 29 istype 'com, buffer';
HDR1_ASDATA2                          pin 28 istype 'com, buffer';
HDR1_ABCLK                             pin 30 istype 'com';
HDR1_ALRCLK                            pin 31 istype 'com';

// 25-pin header connector HDR2 pins
HDR2_DSDATA1                          pin 37 istype 'com';
HDR2_DSDATA2                          pin 36 istype 'com';
HDR2_DSDATA3                          pin 35 istype 'com';
HDR2_DSDATA4                          pin 34 istype 'com';
HDR2_DBCLK                             pin 41 istype 'com';
HDR2_DLRCLK                            pin 42 istype 'com';
HDR2_ASDATA1                          pin 44 istype 'com';
HDR2_ASDATA2                          pin 43 istype 'com, buffer';
HDR2_ABCLK                             pin 47 istype 'com';
HDR2_ALRCLK                            pin 48 istype 'com';

// S/PDIF Rx CS8414 pins
SDATA_8416                             pin 61 istype 'com';

```

```

BCLK_8416                pin 60 istype 'com';
LRCLK_8416                pin 59 istype 'com';
SOMS_RX,SFSEL1_RX,SFSEL0_RX,RMCKF_RX  pin 66,67,64,65 istype 'com';

// S/PDIF Tx CS8404 pins
SDATA_8406                pin 50 istype
'com';
BCLK_8406,LRCLK_8406      pin 53, 54 istype 'com';
MCLK_8406                 pin 49 istype
'com';
APMS_TX,SFMT1_TX,SFMT0_TX pin 55,56,58 istype 'com';
CPLD_MCLK                 pin 89 istype
'com';

// AD1939 SPI port pins
//CCLK,CDATA,CLATCH       pin 84, 83, 85 istype 'com';
//COUT                    pin 82 istype 'com';
//CLATCH2,CLATCH3,CLATCH4 pin 86, 56, 4 istype 'com';
//CONTROL_ENB             pin 81 istype
'com';

S/PDIF_RESET_OUT         pin 69 istype
'com';

// Switch S1, S2, S3 and S4 pins
ADC_CLK_OFF              pin 93 istype
'com';                // S2-1
ADC_CLK_SRC1             pin 94 istype 'com';    // S2-2
ADC_CLK_SRC0             pin 97 istype 'com';    // S2-3
DAC_CLK_OFF              pin 98 istype
'com';                // S2-4
DAC_CLK_SRC1             pin 99 istype 'com';    // S2-5
DAC_CLK_SRC0             pin 100 istype 'com';   // S2-6
S/PDIF_MCLK_RATE        pin 3 istype 'com';     // S2-7
S/PDIF_RESET_IN         pin 4 istype 'com';     // S2-8

MODE11,MODE12,MODE13,MODE14      pin 5,6,8,9 istype 'com'; // S4
STAND_ALONE,MODE22,MODE23,MODE24  pin 10,11,14,15 istype 'com'; // S5

"NODES
I_DSDATA1, I_DSDATA2, I_DSDATA3, I_DSDATA4      node istype 'com';
I_DBCLK, I_DLRCLK                                node istype 'com';

I_ASDATA1, I_ASDATA2                             node istype 'com, buffer';

I_ABCLK, I_ALRCLK                                node istype 'com';

Qdivide                                           node istype 'reg, buffer';

```

```
//=====
"MACROS

// Switch S3, DIP POSITIONS 6 AND 7

ADC_HDR_NORMAL      = ( MODE22 &  MODE23);
ADC_HDR_DATA2_DATA1 = ( MODE22 & !MODE23);
ADC_HDR_TDM         = (!MODE22 &  MODE23);
ADC_HDR_AUX         = (!MODE22 & !MODE23);

S/PDIF_OUT_MUX = MODE24;

// Hex Switch S4

// S4 position 0,
DAC_RX_ALL = ( MODE14 & MODE13 & MODE12 & MODE11);

// S4 position 1,
DAC_RX_1  = ( MODE14 & MODE13 & MODE12 & !MODE11);

// S4 position 2,
DAC_RX_2  = ( MODE14 & MODE13 & !MODE12 & MODE11);

// S4 position 3,
DAC_RX_3  = ( MODE14 & MODE13 & !MODE12 & !MODE11);

// S4 position 4,
DAC_RX_4 = ( MODE14 & !MODE13 & MODE12 & MODE11);

// S4 position 5,
NA1 = ( MODE14 & !MODE13 & MODE12 & !MODE11);

// S4 position 6,
NA2 = ( MODE14 & !MODE13 & !MODE12 & MODE11);

// S4 position 7,
DAC_DATA_ZERO = ( MODE14 & !MODE13 & !MODE12 & !MODE11);

// S4 position 8,
DAC_HDR1_ALL = ( !MODE14 & MODE13 & MODE12 & MODE11);

// S4 position 9,
DAC_HDR1_IND = ( !MODE14 & MODE13 & MODE12 & !MODE11);

// S4 position A,
DAC_HDR1_TDM = ( !MODE14 & MODE13 & !MODE12 & MODE11);
```

```

        // S4 position B,
DAC_DUAL_TDM = ( !MODE14 & MODE13 & !MODE12 & !MODE11);

        // S4 position C,
DAC_HDR1_AUX = ( !MODE14 & !MODE13 & MODE12 & MODE11);

        // S4 position D,
NA3 = ( !MODE14 & !MODE13 & MODE12 & !MODE11);

        // S4 position E,
NA4 = ( !MODE14 & !MODE13 & !MODE12 & MODE11);

        // S4 position F,
DAC_DATA_HIZ = ( !MODE14 & !MODE13 & !MODE12 & !MODE11);

// Switch S2

DAC_S/PDIF = (DAC_CLK_SRC1 & DAC_CLK_SRC0);
DAC_HDR1 = (DAC_CLK_SRC1 & !DAC_CLK_SRC0);
DAC_ADC = (!DAC_CLK_SRC1 & DAC_CLK_SRC0);
DAC_DAC = (!DAC_CLK_SRC1 & !DAC_CLK_SRC0);

ADC_S/PDIF = (ADC_CLK_SRC1 & ADC_CLK_SRC0);
ADC_HDR1 = (ADC_CLK_SRC1 & !ADC_CLK_SRC0);
ADC_ADC = (!ADC_CLK_SRC1 & ADC_CLK_SRC0);
ADC_DAC = (!ADC_CLK_SRC1 & !ADC_CLK_SRC0);

"=====
EQUATIONS

S/PDIF_RESET_OUT = S/PDIF_RESET_IN;

// Configuration of the CS8416, changes active on reset, BCLK_8416 and LRCLK_8416 are bi-
directional signals.
SOMS_RX = DAC_S/PDIF;
// SOMS = Serial Output Master/Slave Select
SFSEL1_RX = 0; //DIR_RJ # DIR_RJ16;
// SFSEL1 = Serial Format Select 1
SFSEL0_RX = 1; //DIR_I2S # DIR_DSP;
// SFSEL0 = Serial Format Select 0
RMCKF_RX = !S/PDIF_MCLK_RATE; // RMCKF =
Receive Master Clock Frequency

// M0_8414 = (0 # !DAC_S/PDIF);
// M1_8414 = 1;
// M2_8414 = 0;

```

```

// M3_8414 = 0;

// CS8404 Tx interface mode select
                APMS_TX = 0; // Tx serial port is always slave in this application
                SFMT1_TX = 0; // Tx data format is I2S always
                SFMT0_TX = 1;

// M0_8404 = 0;
// M1_8404 = 0;
// M2_8404 = 1; // I2S format only

// divide 256Fs clock by 2 for 128Fs clock to the S/PDIF Tx
// Qdivide.clk = CPLD_MCLK;
// Qdivide.d = !Qdivide;

// MCLK_8406 = Qdivide;
                MCLK_8406 = CPLD_MCLK;

BCLK_8406 = I_ABCLK;
LRCLK_8406 = I_ALRCLK;
SDATA_8406 = (ASDATA1 & S/PDIF_OUT_MUX) # (ASDATA2 & !S/PDIF_OUT_MUX);

// For SPI mode, let external port drive the SPI port

DBCLK.oe = (DAC_S/PDIF # DAC_HDR1 # DAC_ADC # !DAC_DAC) & (DAC_CLK_OFF);
DLRCLK.oe = (DAC_S/PDIF # DAC_HDR1 # DAC_ADC # !DAC_DAC) & (DAC_CLK_OFF);
ABCLK.oe = (ADC_S/PDIF # ADC_HDR1 # !ADC_ADC # ADC_DAC) & (ADC_CLK_OFF);
ALRCLK.oe = (ADC_S/PDIF # ADC_HDR1 # !ADC_ADC # ADC_DAC) & (ADC_CLK_OFF);

HDR1_DBCLK.oe = (DAC_S/PDIF # !DAC_HDR1 # DAC_ADC # DAC_DAC);
HDR1_DLRCLK.oe = (DAC_S/PDIF # !DAC_HDR1 # DAC_ADC # DAC_DAC);
HDR1_ABCLK.oe = (ADC_S/PDIF # !ADC_HDR1 # ADC_ADC # ADC_DAC);
HDR1_ALRCLK.oe = (ADC_S/PDIF # !ADC_HDR1 # ADC_ADC # ADC_DAC);

BCLK_8416.oe = (!DAC_S/PDIF);
LRCLK_8416.oe = (!DAC_S/PDIF);
BCLK_8416 = I_DBCLK;
LRCLK_8416 = I_DLRCLK;

DSDATA1.oe = (!DAC_DATA_HIZ);
DSDATA2.oe = (!(DAC_HDR1_TDM # DAC_DUAL_TDM # DAC_DATA_HIZ)); //DSDATA2 is output in DAC
TDM-daisy chain mode
DSDATA3.oe = (!DAC_DATA_HIZ);
DSDATA4.oe = (!(DAC_DUAL_TDM # ADC_HDR_AUX # DAC_HDR1_AUX # DAC_DATA_HIZ)); // SECOND
TDM-OUT IN DUAL LINE DAC TDM MODE
ASDATA2.oe = (ADC_HDR_TDM); //ASDATA2 is input in ADC TDM mode

HDR1_DSDATA2.oe = (DAC_HDR1_TDM # DAC_DUAL_TDM);

```

```

HDR1_DSDATA4.oe = (DAC_DUAL_TDM # ADC_HDR_AUX # DAC_HDR1_AUX);
HDR1_ASDATA2.oe = (!ADC_HDR_TDM);

DBCLK      = I_DBCLK;
DLRCLK     = I_DLRCLK;
ABCLK      = I_ABCLK;
ALRCLK     = I_ALRCLK;

DSDATA1 = (HDR1_DSDATA1 & (DAC_HDR1_ALL # DAC_HDR1_IND # DAC_RX_2 # DAC_RX_3 # DAC_RX_4 #
DAC_HDR1_TDM # DAC_DUAL_TDM # ADC_HDR_AUX))
          # (SDATA_8416 & (DAC_RX_ALL # DAC_RX_1)) # (0 & DAC_DATA_ZERO);
DSDATA2 = (HDR1_DSDATA1 & DAC_HDR1_ALL) # (HDR1_DSDATA2 & (DAC_HDR1_IND # ADC_HDR_AUX #
DAC_HDR1_AUX # DAC_RX_1 # DAC_RX_3 # DAC_RX_4))
          # (SDATA_8416 & (DAC_RX_ALL # DAC_RX_2)) # (0 & DAC_DATA_ZERO);
DSDATA3 = (HDR1_DSDATA1 & (DAC_HDR1_ALL)) # (HDR1_DSDATA3 & (DAC_HDR1_IND # DAC_DUAL_TDM #
ADC_HDR_AUX # DAC_HDR1_AUX # DAC_RX_1 # DAC_RX_2 # DAC_RX_4))
          # (SDATA_8416 & (DAC_RX_ALL # DAC_RX_3)) # (0 & DAC_DATA_ZERO);
DSDATA4 = (HDR1_DSDATA1 & (DAC_HDR1_ALL)) # (HDR1_DSDATA4 & (DAC_HDR1_IND # DAC_RX_1 #
DAC_RX_2 # DAC_RX_3))
          # (SDATA_8416 & (DAC_RX_ALL # DAC_RX_4)) # (0 & DAC_DATA_ZERO);

HDR1_DBCLK = I_DBCLK;
HDR1_DLRCLK = I_DLRCLK;
HDR1_ABCLK = I_ABCLK;
HDR1_ALRCLK = I_ALRCLK;

HDR1_ASDATA1 = (ASDATA1 & (ADC_HDR_NORMAL # ADC_HDR_TDM # ADC_HDR_AUX # DAC_HDR1_AUX )) #
(ASDATA2 & ADC_HDR_DATA2_DATA1);
HDR1_ASDATA2 = ASDATA2;
ASDATA2 = HDR1_ASDATA2;

HDR1_DSDATA2 = DSDATA2;
HDR1_DSDATA4 = DSDATA4;

// Internal node signals
I_DBCLK = (BCLK_8416 & DAC_S/PDIF) # (HDR1_DBCLK & DAC_HDR1) # (DBCLK & DAC_DAC) #
(I_ABCLK & DAC_ADC);

I_DLRCLK = (LRCLK_8416 & DAC_S/PDIF) # (HDR1_DLRCLK & DAC_HDR1) # (DLRCLK & DAC_DAC) #
(I_ALRCLK & DAC_ADC);

I_ABCLK = (BCLK_8416 & ADC_S/PDIF) # (HDR1_ABCLK & ADC_HDR1) # (ABCLK & ADC_ADC) #
(I_DBCLK & ADC_DAC);

I_ALRCLK = (LRCLK_8416 & ADC_S/PDIF) # (HDR1_ALRCLK & ADC_HDR1) # (ALRCLK & ADC_ADC) #
(I_DLRCLK & ADC_DAC);

"=====
END IF_Logic

```


ORDERING INFORMATION

BILL OF MATERIALS

Table 1.

Qty	Designator	Description	Manufacturer	Part Number
18	C85, C90 to C94, C101 to C103, C107, C108, C110, C115, C116, C121, C127, C132, C134	Multilayer ceramic capacitor, 16 V, X7R (0402)	Panasonic EC	ECJ-0EX1C104K
50	C1, C2, C5, C7 to C10, C20, C21, C28, C29, C38, C42, C48 to C51, C58 to C60, C62, C64, C69, C73, C76, C79, C82, C97, C99, C112, C118, C122, C128, C135, C146, C147, C149, C151, C155, C156, C158, C162, C168, C174, C176, C177, C193, C194, C197, C203	Multilayer ceramic capacitor, 50 V, X7R (0603)	Panasonic EC	ECJ-1VB1H104K
9	C37, C65, C67, C83, C88, C124, C129, C157, C160	Multilayer ceramic capacitor, 50 V, NP0 (0603)	Panasonic EC	ECJ-1VC1H102J
12	R28, R30, R51, R59, R166, R167, R169, R172, R185, R189, R212, R214	Chip resistor, 100 k Ω , 1%, 125 mW, thick film (0603)	Panasonic EC	ERJ-3EKF1003V
8	C68, C71, C87, C89, C130, C138, C159, C161	Multilayer ceramic capacitor, 50 V, NP0 (0603)	Panasonic EC	ECJ-1VC1H101J
16	R24, R31, R44, R60, R77, R84, R93, R106, R136, R149, R159, R170, R180, R191, R207, R217	Chip resistor, 100 k Ω , 1%, 100 mW, thick film (0603)	Panasonic EC	ERJ-3EKF1000V
1	C84	Aluminum electrolytic capacitor, 100 μ F, 16 V, FC 105 deg, SMD_E	Panasonic EC	EEE-FC1C101P
32	R6, R7, R13, R14, R18, R20, R40, R43, R47 to R49, R54, R55, R63, R64, R74, R78, R80, R82, R158, R164, R186, R224 to R227, R232 to R237	Chip resistor, 10 k Ω , 1%, 125 mW, thick film (0603)	Panasonic EC	ERJ-3EKF1002V
3	C6, C39, C40	Multilayer ceramic capacitor, 25 V, NP0 (0603)	TDK Corp	C1608C0G1E103J
12	C15 to C17, C81, C86, C95, C98, C170, C175, C178, C180, C183	Multilayer ceramic capacitor, 100 V, NP0 (0603)	Panasonic EC	ECJ-1VC2A100D
12	C104, C106, C109, C111, C117, C123, C140 to C145	Multilayer ceramic capacitor, 50 V, NP0 (0402)	Kemet	C0402C100J5GACTU
5	C3, C4, C74, C96, C126	Aluminum electrolytic capacitor, 16 V, FC 105 deg, SMD_B	Panasonic EC	EEE-FC1C100R
4	C61, C77, C113, C150	Multilayer ceramic capacitor, 50 V NP0 (0603)	Panasonic EC	ECJ-1VC1H121J
1	R117	Chip resistor, 1 k Ω , 1% 125 mW thick film (0603)	Panasonic EC	ERJ-3EKF1001V
3	D1, D3, D4	TVS Zener, 15 V, 600 W, SMB	ON Semiconductor	1SMB15AT3G
9	C23, C33, C43, C55, C114, C166, C184, C188, C200	Multilayer ceramic capacitor, 50 V, NP0 (0603)	Murata Electronics	GRM1885C1H222JA01D
1	C36	Multilayer ceramic capacitor, 50 V, NP0 (0805)	Murata ENA	GRM21B5C1H223JA01L
2	C153, C154	Multilayer ceramic capacitor, 50 V, NP0 (0603)	Panasonic EC	ECJ-1VC1H220J
8	R76, R81, R90, R101, R134, R141, R157, R168	Chip resistor, 237 Ω , 1%, 125 mW, thick film (0603)	Panasonic EC	ERJ-3EKF2370V
2	R1, R4	Chip resistor, 243 Ω , 1%, 100 mW, thick film (0603)	Panasonic EC	ERJ-3EKF2430V
10	R91, R94, R98, R99, R108, R109, R114, R115, R118, R123	Chip resistor, 24.9 Ω , 1%, 63 mW, thick film (0402)	Rohm	MCR01MZPF24R9

Qty	Designator	Description	Manufacturer	Part Number
16	R56, R57, R65, R66, R88, R89, R140, R154, R179, R183, R213, R216, R228 to R231	Chip resistor, 24.9 Ω , 1%, 100 mW, thick film (0603)	Rohm	MCR03EZPFX24R9
16	C24, C25, C31, C34, C44, C45, C53, C56, C167, C169, C181, C185, C189, C190, C198, C201	Multilayer ceramic capacitor, 100 V, NP0 (0603)	Murata ENA	GRM1885C2A301JA01D
3	R3, R11, R58	Chip resistor, 374 Ω , 1%, 100 mW, thick film (0603)	Rohm	MCR03EZPFX3740
1	C125	Multilayer ceramic capacitor, 50 V, NP0 (0603)	Panasonic EC	ECJ-1VC1H391J
4	R5, R52, R53, R75	Chip resistor, 392 Ω , 1%, 100 mW, thick film (0603)	Rohm	MCR03EZPFX3920
1	C120	Multilayer ceramic capacitor, 16 V, ECH-U (1206)	Panasonic EC	ECH-U1C393JB5
33	R21, R22, R26, R27, R33 to R35, R37 to R39, R41, R46, R50, R62, R68, R69, R71, R173, R176, R182, R184, R193, R195, R197, R199, R202, R204, R209, R211, R219 to R221, R223	Chip resistor, 3.01 k Ω , 1%, 100 mW, thick film (0603)	Rohm	MCR03EZPFX3011
16	R23, R25, R32, R36, R42, R45, R61, R70, R177, R181, R192, R198, R205, R208, R218, R222	Chip resistor, 3.09 k Ω , 1%, 100 mW, thick film (0603)	Rohm	MCR03EZPFX3091
1	R129	Chip resistor, 3.32 k Ω , 1%, 100 mW, thick film (0603)	Rohm	MCR03EZPFX3321
23	C11, C13, C14, C26, C30, C46, C52, C63, C66, C72, C75, C80, C105, C119, C133, C139, C148, C152, C164, C172, C179, C191, C196	Aluminum electrolytic capacitor, 16 V, FC 105 deg, SMD_D	Panasonic EC	EEE-FC1C470P
3	C12, C18, C19	Aluminum electrolytic capacitor FC 105 deg SMD_E	Panasonic EC	EEE-FC1E470P
1	R12	Chip resistor, 499 Ω , 1%, 100 mW, thick film (0603)	Rohm	MCR03EZPFX4990
4	R83, R96, R148, R163	Chip resistor, 49.9 Ω , 1%, 100 mW, thick film (0603)	Panasonic EC	ERJ-3EKF4992V
20	R103, R104, R110 to R112, R116, R119, R124, R126 to R128, R130 to R132, R142 to R147	Chip resistor, 49.9 Ω , 1%, 63 mW, thick film (0402)	Rohm	MCR01MZPF49R9
35	R8 to R10, R15 to R17, R19, R92, R95, R100, R105, R113, R120, R125, R133, R135, R139, R153, R155, R156, R160, R174, R175, R178, R187, R188, R190, R194, R196, R200, R201, R203, R206, R210, R215	Chip resistor, 49.9 Ω , 1%, 100 mW, thick film (0603)	Panasonic EC	ERJ-3EKF49R9V
1	C131	Multilayer ceramic capacitor, 25 V, NP0 (0603)	TDK Corp	C1608C0G1E562J
1	R138	Chip resistor, 562 Ω , 1%, 125 mW, thick film (0603)	Panasonic EC	ERJ-3EKF5620V
16	R72, R73, R79, R85 to R87, R97, R107, R121, R122, R137, R150 to R152, R165, R171	Chip resistor, 5.76 k Ω , 1%, 125 mW, thick film (0603)	Panasonic EC	ERJ-3EKF5761V
4	C78, C137, C171, C195	Multilayer ceramic capacitor, 100 V, NP0 (0603)	Panasonic EC	ECJ-1VC2A680J
1	R2	Chip resistor, 715 Ω , 1%, 100 mW, thick film (0603)	Rohm	MCR03EZPFX7150
1	U11	IC inverter hex, TTL/LSTTL, 14 SOIC	NXP Semi	74HC04D-T
2	U19, U26	IC buffer, quad three-state, 14 SOIC	Texas Instruments	SN74LV125AD
1	R29	Chip resistor, 75 Ω , 1%, 100 mW, thick film	Panasonic EC	ERJ-3EKF75R0V

Qty	Designator	Description	Manufacturer	Part Number
1	R67	(0603) Chip resistor, 90.9 Ω , 1%, 100 mW, thick film (0603)	Rohm	MCR03EZPFX90R9
16	C22, C27, C32, C35, C41, C47, C54, C57, C165, C173, C182, C186, C187, C192, C199, C202	Multilayer ceramic capacitor, 50 V, NP0 (0603)	Murata ENA	GRM1885C1H911JA01D
1	Y1	Crystal, 12.288 MHz, SMT, 10 pF	Abracon Corp	ABM3B-12.288MHZ-10-1-U-T
1	U15	Four ADC/eight DAC with PLL, 192 kHz	Analog Devices	AD1939YSTZ
1	U23	Microprocessor voltage supervisor	Analog Devices	ADM811RARTZ
1	U1	Voltage regulator, low dropout	Analog Devices	ADP3303ARZ-3.3
1	J2	5-way binding post, black, uninsulated base TH	Deltron Components	552-0100 BLK
1	J3	5-way binding post, mini, green, uninsulated base TH	Deltron Components	552-0400 GRN
1	J4	5-way binding post, mini, red, uninsulated base TH	Deltron Components	552-0500 RED
2	J22, J23	SMA receptacle straight PCB mount	Amp-RF Division	901-144-8RFX
1	U8	192 kHz digital audio receiver, 28-TSSOP	Cirrus Logic	CS8416-CZZ
1	U13	192 kHz digital audio, S/PDIF transmitter	Cirrus Logic	CS8406-CZZ
2	D2, D5	Passivated rectifier, 1 A 50 V MELF	Micro Commercial	DL4001-TP
1	S1	Switch slide, DP3T, PC MNT, L = 4 mm	E-Switch	EG2305
1	SW1	DPDT slide switch, vertical	E-Switch	EG2207
6	L2 to L7	Chip ferrite bead, 600 Ω at 100 MHz	TDK	MPZ1608S601A
1	L1	Chip ferrite bead, 600 Ω at 100 MHz	Steward	HZ0805E601R-10
2	J1, J14	10-way shrouded polarized header	3M	N2510-6002RB
4	J15 to J18	16-way unshrouded, not populated	3M	N/A
1	J19	Connector header, 0.100 dual STR, 72 POS	Sullins	PBC10DAAN; or cut PBC36DAAN
2	J20, J26	Connector header, 0.100 dual STR, 72 POS	Sullins	PBC13DAAN; or cut PBC36DAAN
4	J5 to J8	Connector header, 0.100 dual STR, 72 POS	Sullins	PBC06DAAN; or cut PBC36DAAN
2	S4, S5	16-position rotary switch hex	APEM	PT65503
16	JP4, JP11 to JP14, JP17, JP18, JP20 to JP22, JP24, JP26, JP28 to JP31	2-pin header, unshrouded jumper, 0.10"; use shunt Tyco 881545-2	Sullins	PBC02SAAN; or cut PBC36SAAN
15	JP1 to JP3, JP5 to JP10, JP15, JP16, JP19, JP23, JP25, JP27	3-position SIP header	Sullins	PBC03SAAN; or cut PBC36SAAN
1	U16	Complex programmable logic device (CPLD), HI PERF E2CMOS PLD	Lattice Semiconductor	LC4128V-75TN100C
2	D8, D11	Green, diffused, 10 millicandela, 565 nm (1206)	Lumex Opto	SML-LX1206GW-TR
2	D6, D9	Red, diffused, 6.0 millicandela, 635 nm (1206)	Lumex Opto	SML-LX1206IW-TR
2	D7, D10	Yellow, diffused, 4.0 millicandela, 585 nm (1206)	CML Innovative Tech	CMD15-21VYD/TR8
2	U2, U3	3-terminal adjustable voltage regulator, DPak	STMicroelectronics	LM317MDT-TR
6	J10, J11, J13, J21, J27, J28	Stereo mini jack SMT	CUI	SJ-3523-SMT
2	R161, R162	Resistor network, bussed 8 res, 9 pin	CTS	773091103
8	U6, U9, U12, U14, U17, U20, U24, U25	Dual bipolar/JFET audio op amp	Analog Devices	OP275GSZ
1	R102	Not populated	N/A	N/A
1	U21	12.288 MHz fixed SMD oscillator, 1.8 V dc to 3.3 V dc	Abracon Corp	AP35-12.288MHz-F-J-B
2	J9, J12	RCA jack PCB TH mount R/A yellow	Connect-Tech Products	CTP-021A-S-YEL

Qty	Designator	Description	Manufacturer	Part Number
1	U10	110 Ω AES/EBU transformer	Scientific Conversion	SC937-02
2	U18, U22	Buffer, three-state single gate	Texas Instruments	SN74LVC1G125DRLR
1	U4	Octal, three-state buffer/driver	Texas Instruments	SN74LVC541ADBR
2	SW2, SW3	SPDT slide switch, PC mount	E-Switch	EG1218
2	S2, S3	8-position, SPST SMD switch, flush, actuated	CTS	219-8LPST
1	S6	Tact switch, 6 mm, gull wing	Tyco/Alcoswitch	FSM6JSMA
1	U5	15 Mb/sec fiber optic receiving module with shutter	Toshiba	TORX147L(F,T)
1	U7	15 Mb/sec fiber optic transmit module,	Toshiba	TOTX147L(F,T)
69	TP1 to TP69	Mini test point, white, 0.1 inch, OD	Keystone Electronics	5002
1	Q1	100 V, medium power, low saturation transistor, SOT223, NPN	Zetex	ZX5T953GTA

NOTES

NOTES

I²C refers to a communications protocol originally developed by Philips Semiconductors (now NXP Semiconductors).

**ESD Caution**

ESD (electrostatic discharge) sensitive device. Charged devices and circuit boards can discharge without detection. Although this product features patented or proprietary protection circuitry, damage may occur on devices subjected to high energy ESD. Therefore, proper ESD precautions should be taken to avoid performance degradation or loss of functionality.

Legal Terms and Conditions

By using the evaluation board discussed herein (together with any tools, components documentation or support materials, the "Evaluation Board"), you are agreeing to be bound by the terms and conditions set forth below ("Agreement") unless you have purchased the Evaluation Board, in which case the Analog Devices Standard Terms and Conditions of Sale shall govern. Do not use the Evaluation Board until you have read and agreed to the Agreement. Your use of the Evaluation Board shall signify your acceptance of the Agreement. This Agreement is made by and between you ("Customer") and Analog Devices, Inc. ("ADI"), with its principal place of business at One Technology Way, Norwood, MA 02062, USA. Subject to the terms and conditions of the Agreement, ADI hereby grants to Customer a free, limited, personal, temporary, non-exclusive, non-sublicensable, non-transferable license to use the Evaluation Board FOR EVALUATION PURPOSES ONLY. Customer understands and agrees that the Evaluation Board is provided for the sole and exclusive purpose referenced above, and agrees not to use the Evaluation Board for any other purpose. Furthermore, the license granted is expressly made subject to the following additional limitations: Customer shall not (i) rent, lease, display, sell, transfer, assign, sublicense, or distribute the Evaluation Board; and (ii) permit any Third Party to access the Evaluation Board. As used herein, the term "Third Party" includes any entity other than ADI, Customer, their employees, affiliates and in-house consultants. The Evaluation Board is NOT sold to Customer; all rights not expressly granted herein, including ownership of the Evaluation Board, are reserved by ADI. CONFIDENTIALITY. This Agreement and the Evaluation Board shall all be considered the confidential and proprietary information of ADI. Customer may not disclose or transfer any portion of the Evaluation Board to any other party for any reason. Upon discontinuation of use of the Evaluation Board or termination of this Agreement, Customer agrees to promptly return the Evaluation Board to ADI. ADDITIONAL RESTRICTIONS. Customer may not disassemble, decompile or reverse engineer chips on the Evaluation Board. Customer shall inform ADI of any occurred damages or any modifications or alterations it makes to the Evaluation Board, including but not limited to soldering or any other activity that affects the material content of the Evaluation Board. Modifications to the Evaluation Board must comply with applicable law, including but not limited to the RoHS Directive. TERMINATION. ADI may terminate this Agreement at any time upon giving written notice to Customer. Customer agrees to return to ADI the Evaluation Board at that time. LIMITATION OF LIABILITY. THE EVALUATION BOARD PROVIDED HEREUNDER IS PROVIDED "AS IS" AND ADI MAKES NO WARRANTIES OR REPRESENTATIONS OF ANY KIND WITH RESPECT TO IT. ADI SPECIFICALLY DISCLAIMS ANY REPRESENTATIONS, ENDORSEMENTS, GUARANTEES, OR WARRANTIES, EXPRESS OR IMPLIED, RELATED TO THE EVALUATION BOARD INCLUDING, BUT NOT LIMITED TO, THE IMPLIED WARRANTY OF MERCHANTABILITY, TITLE, FITNESS FOR A PARTICULAR PURPOSE OR NON-INFRINGEMENT OF INTELLECTUAL PROPERTY RIGHTS. IN NO EVENT WILL ADI AND ITS LICENSORS BE LIABLE FOR ANY INCIDENTAL, SPECIAL, INDIRECT, OR CONSEQUENTIAL DAMAGES RESULTING FROM CUSTOMER'S POSSESSION OR USE OF THE EVALUATION BOARD, INCLUDING BUT NOT LIMITED TO LOST PROFITS, DELAY COSTS, LABOR COSTS OR LOSS OF GOODWILL. ADI'S TOTAL LIABILITY FROM ANY AND ALL CAUSES SHALL BE LIMITED TO THE AMOUNT OF ONE HUNDRED US DOLLARS (\$100.00). EXPORT. Customer agrees that it will not directly or indirectly export the Evaluation Board to another country, and that it will comply with all applicable United States federal laws and regulations relating to exports. GOVERNING LAW. This Agreement shall be governed by and construed in accordance with the substantive laws of the Commonwealth of Massachusetts (excluding conflict of law rules). Any legal action regarding this Agreement will be heard in the state or federal courts having jurisdiction in Suffolk County, Massachusetts, and Customer hereby submits to the personal jurisdiction and venue of such courts. The United Nations Convention on Contracts for the International Sale of Goods shall not apply to this Agreement and is expressly disclaimed.

©2010 Analog Devices, Inc. All rights reserved. Trademarks and registered trademarks are the property of their respective owners.
UG08411-0-2/10(0)



www.analog.com