


REVISIONS			
REV	DESCRIPTION	DATE	APPROVED
A	INITIAL RELEASE	29FEB08	D. Zhu



ANALOG DEVICES

ASC GREENSBORO
7910 TRIAD CENTER DRIVE
GREENSBORO, NC 27409

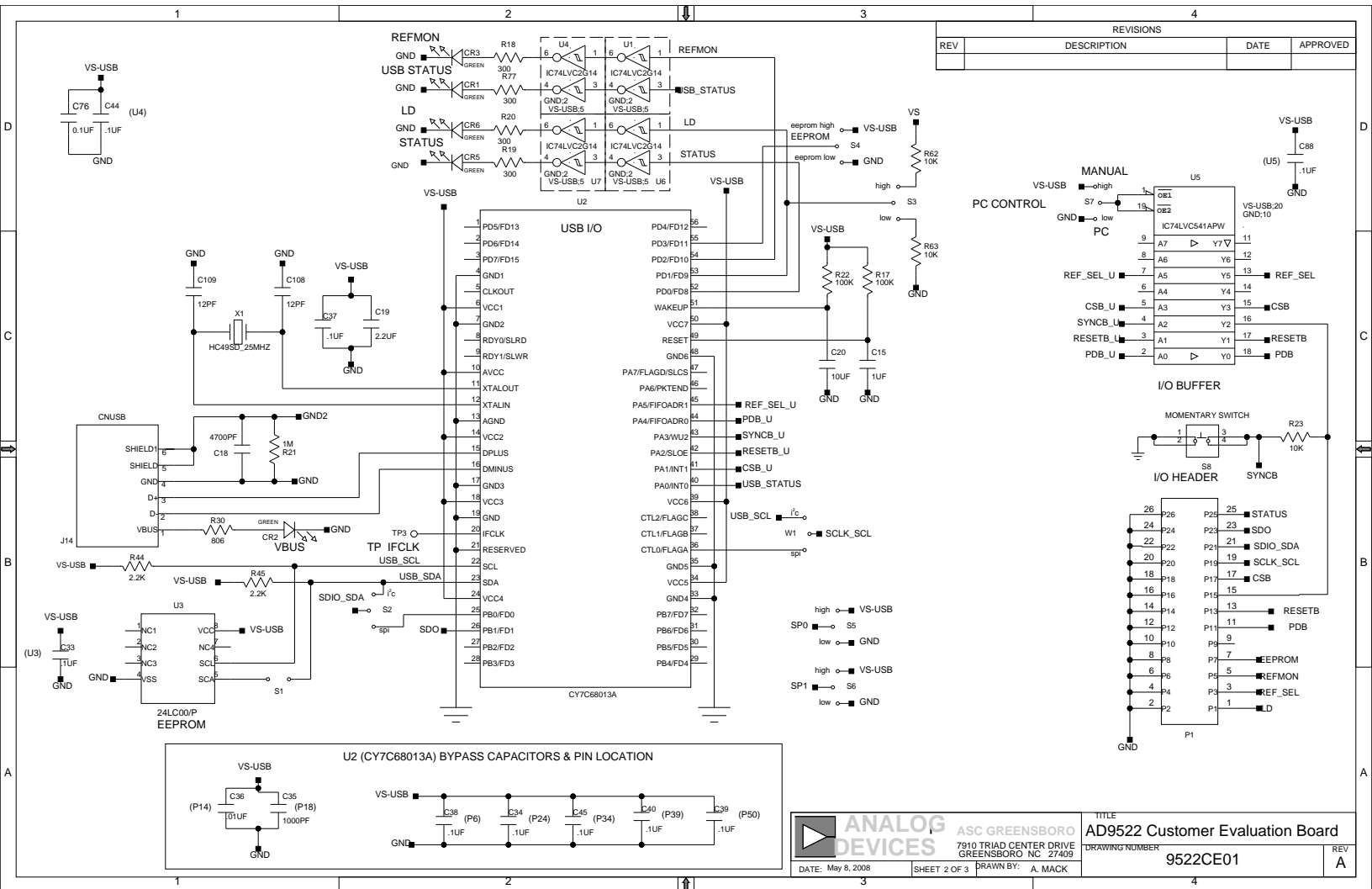
TITLE
AD9522 Customer Evaluation Board

DRAWING NUMBER
9522CE01

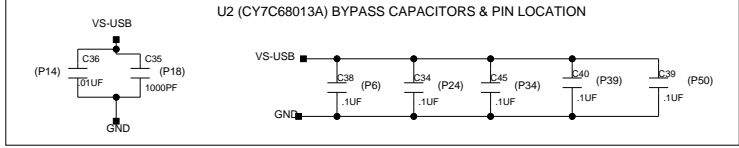
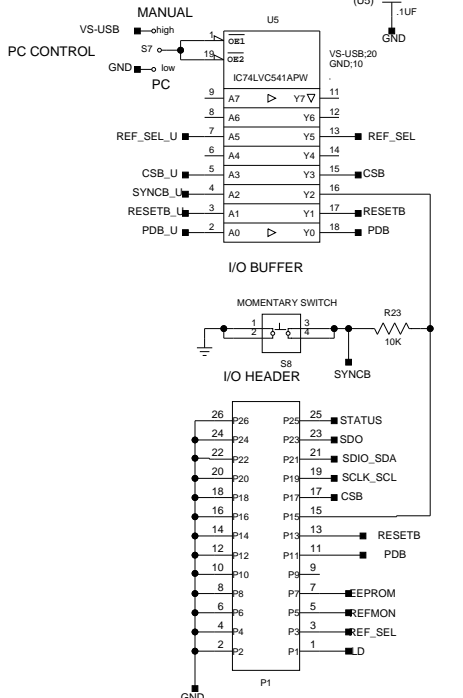
DATE: May 08, 2008

SHEET 1 OF 3

DRAWN BY: A. MACK



REVISIONS			
REV	DESCRIPTION	DATE	APPROVED

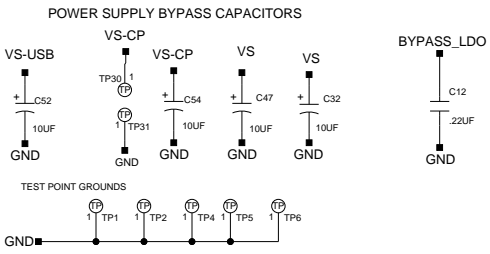
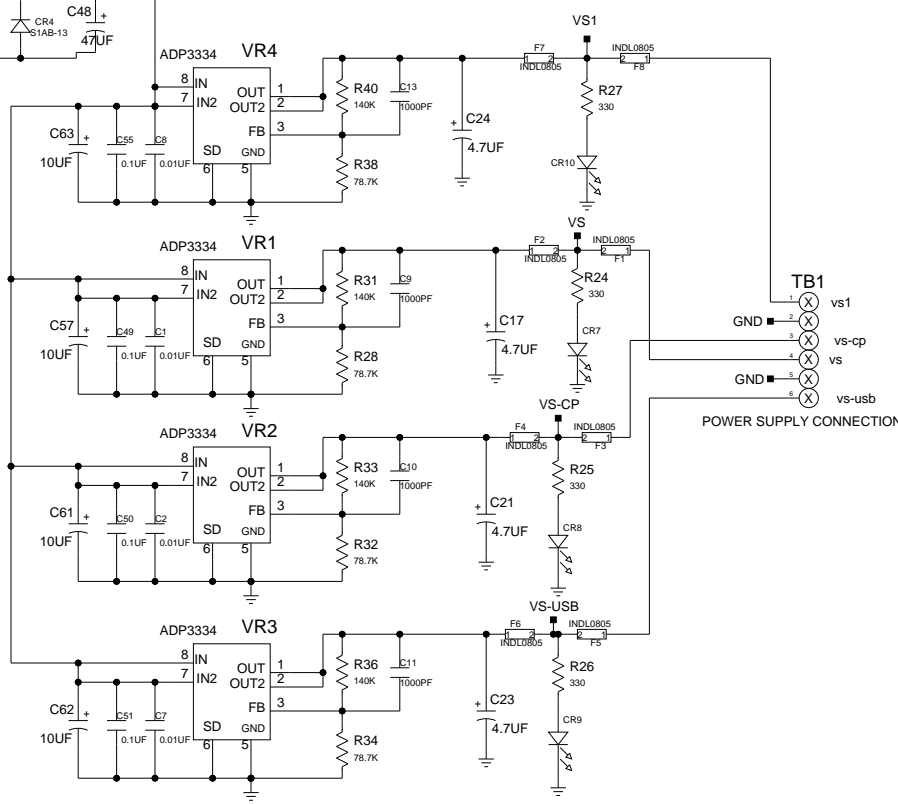
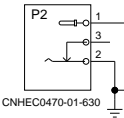
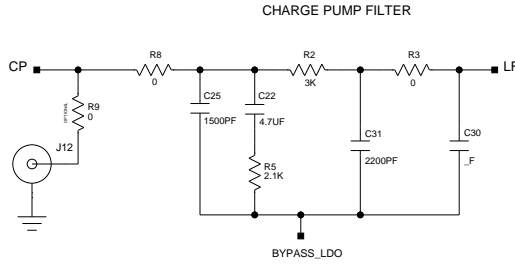


ANALOG DEVICES
 ASC GREENSBORO
 7910 TRIAD CENTER DRIVE
 GREENSBORO NC 27409
 DATE: May 8, 2008 SHEET 2 OF 3 DRAWN BY: A. MACK

TITLE: **AD9522 Customer Evaluation Board**
 DRAWING NUMBER: **9522CE01**
 REV: **A**

1 2 3 4

REVISIONS			
REV	DESCRIPTION	DATE	APPROVED



	ASC GREENSBORO 7910 TRIAD CENTER DRIVE GREENSBORO NC 27409	TITLE AD9522 Customer Evaluation Board	REV A
	DATE: May 8, 2008	SHEET 3 OF 3	DRAWING NUMBER 9522CE01

1 2 3 4