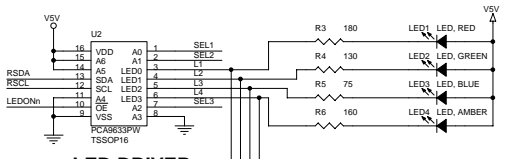


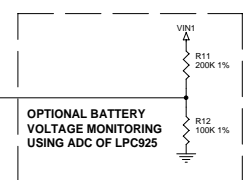
I2C BUFFER



LED DRIVER
I2C ADDR = 0xCX

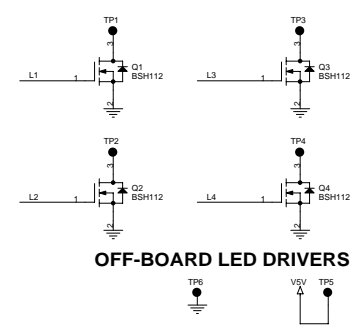


ALT LED DRIVER
I2C ADDR = 0xC4

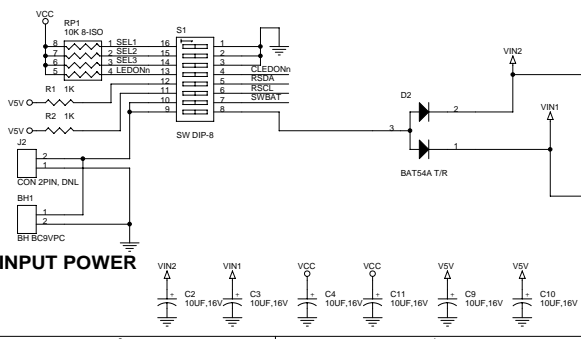


OPTIONAL BATTERY VOLTAGE MONITORING USING ADC OF LPC925

- SW1 BOARD ADDRESS 0 1<->0
- SW2 BOARD ADDRESS 1 1<->0
- SW3 BOARD ADDRESS 2 1<->0
- SW4 CABLE LED PWM ENABLE
- SW5 BUS RSDA PULLUP ENABLE
- SW6 BUS RSCL PULLUP ENABLE
- SW7 BUS POWER CONNECT
- SW8 BOARD POWER OFF/ON OFF-<->ON

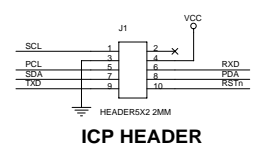


OFF-BOARD LED DRIVERS



5.0V REGULATOR

3.3V REGULATOR



ICP HEADER

Future Designs, Inc. Huntsville, AL		FDI
File	PCA9633 Demo Board	
Size	Document Number PCA9633DEM0	Rev 2
Date	Friday, December 09, 2005	Sheet 1 of 2