

LT3652EDD 2A Monolithic Multi-Chemistry Battery Charger

DESCRIPTION

Demonstration Circuit 1568A is a 2A Monolithic Multi-Chemistry battery charger for solar power applications featuring the LT3652EDD. The LT3652 is a complete mid-power Li-Ion battery charger that can operate over a wide input voltage range. The charger employs a 3.3V float voltage feedback reference that allows the battery float voltage to be adjusted up to 14.4V. R10 and R11, in the demonstration circuit, set the float voltage and are 0603 resistors to accommodate the use of 0.1% resistors if desired. The circuit is constructed with 1% resistors which could introduce as much as a 1.56% error in the float voltage. Replacing these resistors with 0.1% resistors would introduce less than a 0.154% error. The LT3652 has an input voltage regulation loop which reduces charge current if

the input falls below a programmed level, set with a resistor divider. The charger is a CC/CV charger with a maximum charge current of 2A. A precondition feature trickle charges a low-voltage battery, and bad battery detection provides a signal if the battery doesn't respond to preconditioning.

The LT3652EDD is available in a 12-lead (3mm × 3mm) DFN surface mount package with an exposed pad.

Design files for this circuit board are available. Call the LTC factory.

LT, LTC, LTM, LT, Burst Mode, OPTI-LOOP, Over-The-Top and PolyPhase are registered trademarks of Linear Technology Corporation. Adaptive Power, C-Load, DirectSense, Easy Drive, FilterCAD, Hot Swap, LinearView, µModule, Micropower SwitcherCAD, Multimode Dimming, No Latency ΔΣ, No Latency Delta-Sigma, No R_{SENSE}, Operational Filter, PanelProtect, PowerPath, PowerSOT, SmartStart, SoftSpan, Stage Shedding, SwitcherCAD, ThinSOT, UltraFast and VLDO are trademarks of Linear Technology Corporation. Other product names may be trademarks of the companies that manufacture the products.

Table 1: Typical Specifications (25°C)

HV Input Voltage Range	11.5V to 32V
V _{OUT}	8.04V to 8.36V
Output Float Voltage (constant voltage mode)	8.2V
Output Current Limit I _{LIM}	2A

OPERATING PRINCIPLE

LT3652 is a complete monolithic mid-power Li-Ion battery charger, addressing high input voltage applications with solutions that require a minimum of external components. The IC uses a 1MHz constant frequency, average-current mode step-down architecture.

The LT3652 incorporates a 2A switch that is driven by a bootstrapped supply to maximize efficiency during

charging cycles. A wide input range allows operation to fully charge from 11.5V (single cell) to 32V. A precision-threshold shutdown pin allows the incorporation of UVLO functionality using a simple resistor divider. The IC can also be put into a low-current shutdown mode, in which the input supply bias is reduced to only 15µA.

The LT3652 incorporates several degrees of charge current control freedom. The overall maximum charge cur-

LT3652EDD

rent is set using an external inductor current sense resistor. A maximum charge current programming pin allows dynamic manipulation of the battery charge current. The LT3650 also incorporates a system input-supply current limit control feature that servos the battery charge current to accommodate overall system load requirements. The LT3652 automatically enters a battery precondition mode if the sensed battery voltage is very low. In this mode, the charging current is reduced to 15% of the programmed maximum, as set by the inductor sense resistor, R_{SENSE} . Once the battery voltage climbs above an internally set threshold of 5.7V / cell, the IC automatically increases maximum charging current to the full programmed value.

The LT3652 can use a charge-current based 'C/10' termination scheme, which ends a charge cycle when the battery charge current falls to 1/10th the programmed maximum charge current. The LT3652 also contains an internal charge cycle control timer, for timer-based termination. When using the internal timer, the IC combines C/10 detection with a programmable time constraint, during which the charging cycle can continue beyond the C/10 level to "top-off" a battery. The charge cycle terminates when a specific time elapses, typically 3

hours. When the timer-based scheme is used, the IC also supports 'bad-battery' detection, which triggers a system fault if a battery stays in precondition mode for more than 1/8th of the total charge cycle time.

Once charging is terminated and the LT3652 is not actively charging, the IC automatically enters a low-current standby mode where supply bias currents are reduced to < 100uA. If the battery voltage drops 2.5% from the full-charge float voltage, the LT3652 engages an automatic charge cycle restart. The IC also automatically restarts a new charge cycle after a bad battery fault once the failed battery is removed and replaced with another battery.

The LT3652 includes provisions for a battery temperature monitoring circuit. This feature monitors battery temperature during the charging cycle using a thermistor, and suspends charging and signals a fault condition if the battery temperature moves outside a safe charging range of 0°C to 50°C.

The LT3652 contains two digital open-collector outputs, which provide charger status and signal fault conditions. These binary-coded pins signal battery charging, standby or shutdown modes, battery temperature faults, and bad battery faults.

QUICK START PROCEDURE

Demonstration circuit 1568A is easy to set up to evaluate the performance of the LT3652EDD.

Using short twisted pair leads for any power connections, with all loads and power supplies off, refer to Figure 1 for the proper measurement and equipment setup.

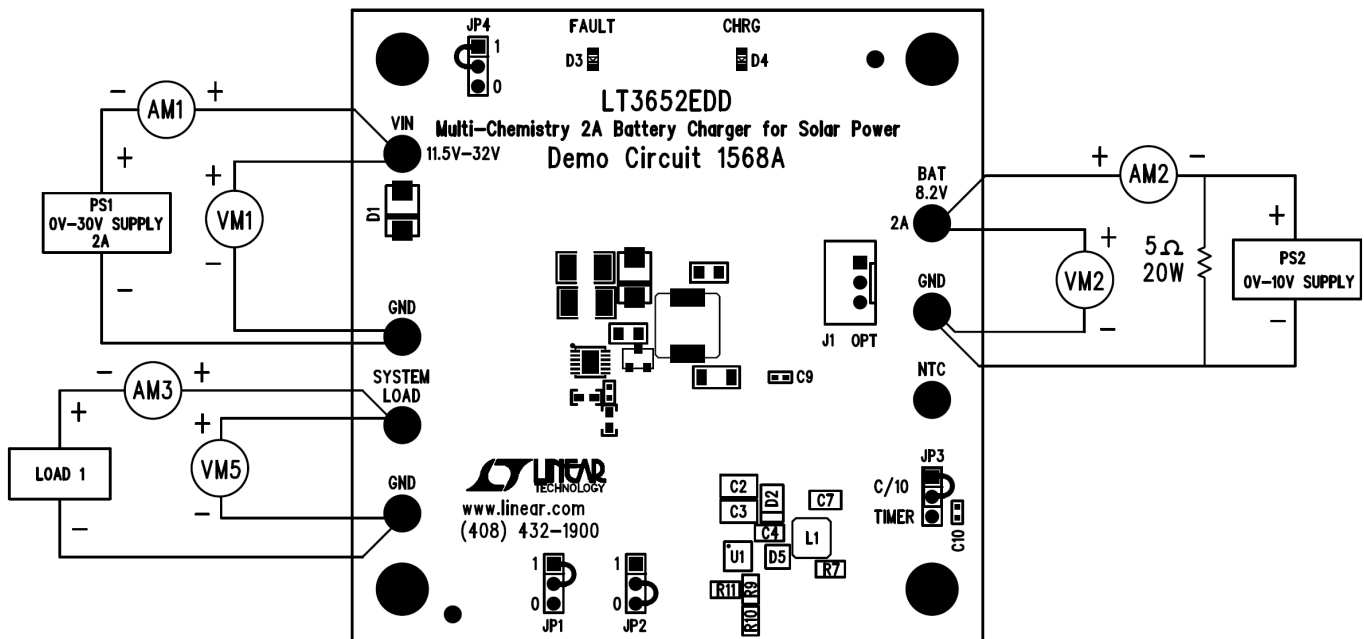
Follow the procedure below:

1. Jumper and Power Supply Setting:

JP1 = 1	JP4 = 1
JP2 = 1	PS1 = OFF
JP3 = C/10	PS2 = OFF

2. Turn on PS2 and slowly increase the voltage to 5.4V while monitoring the current into the BAT pin. If the current is less than 5mA, turn on PS1. Increase the voltage on PS1 to 5V while monitoring the input current. If the current is less than 5mA, increase PS1 to 12V.
3. Verify that the battery charging current, IBAT, is between 250mA and 350mA. The CHRG LED should be on and the FAULT LED should be off.
4. Increase PS2 until VBAT is 7.2V. Verify the input current, IIN, is between 1.3A and 1.7A, the battery current, IBAT, is between 1.775A and 2.225A and that the CHRG LED is on.

5. Increase PS2 until VBAT is 8.5V. Verify the battery charging current, IBAT, is less than 5mA and that the CHRГ LED is off.
6. Decrease PS2 until VBAT is 7.8V. Verify the battery current, IBAT, is between 1.775A and 2.225A and that the CHRГ LED is on.
7. Set JP1 to 0. Verify the charging current, IBAT, is less than 5mA and that the FAULT LED and the CHRГ LED are off.
8. Set JP1 to 1. Connect a jumper from the NTC pin to ground. Verify the charging current, IBAT, is less than 5mA and that the FAULT LED and the CHRГ LED are on.
9. Remove the jumper from NTC to ground. Verify the charging current, IBAT, is between 1.775A and 2.225A and that the FAULT LED is off and the CHRГ LED is on.
10. Turn on LOAD1 and set to 1A. Verify the voltage, Vsystem, on the System Load turret is approximately equal to Vin.
11. Set JP2 to 0. Verify the battery charging current is less than 5mA and that the CHRГ LED is off.
12. Increase PS1 to 14V. Verify the charging current is between 1.775A and 2.225A and that the CHRГ LED is on. Set JP2 to 1.
13. Set JP4 to 0. Verify the battery charging current is less than 5mA and that the CHRГ LED is off.
14. Increase PS1 to 17.7V. Verify the charging current is between 1.775A and 2.225A and that the CHRГ LED is on. Set JP4 to 1.
15. Turn off PS1, PS2 and LOAD1.



Note: All connections from equipment should be Kelvin connected directly to the Board PINS which they are connected to on this diagram and any input, or output, leads should be twisted pair.

Figure 1. Proper Measurement Equipment Setup for DC1568A

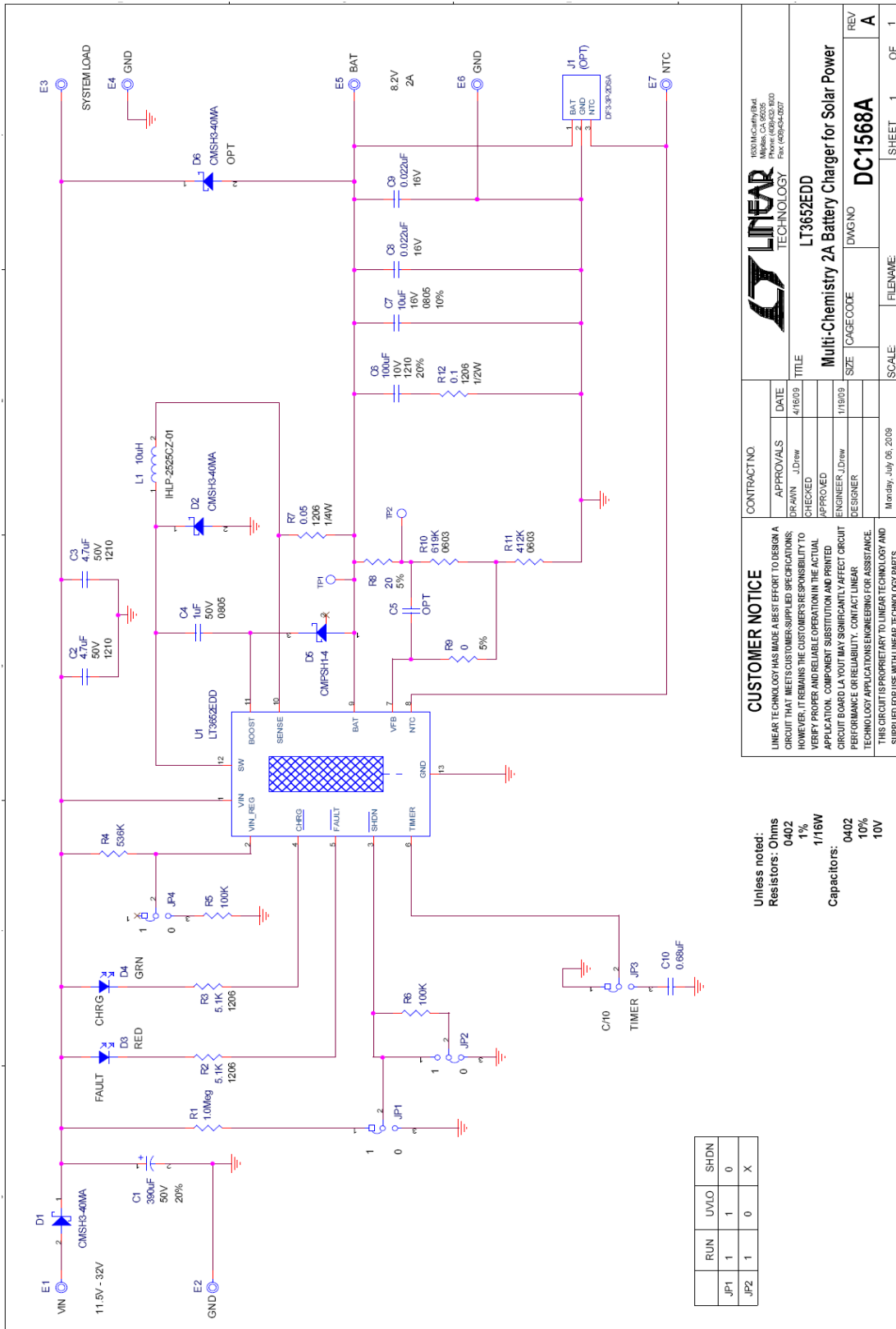


Figure 2: Schematic diagram

CONTRACT NO.

APPROVALS

DRAWN	JDraw	DATE	4/16/09
CHECKED		APPROVED	
ENGINEER	JDraw	DESIGNER	

CUSTOMER NOTICE

LINEAR TECHNOLOGY HAS MADE A BEST EFFORT TO DESIGN A CIRCUIT THAT MEETS CUSTOMER-SUPPLIED SPECIFICATIONS; HOWEVER, IT REMAINS THE CUSTOMER'S RESPONSIBILITY TO VERIFY PROPER AND RELIABLE OPERATION IN THE ACTUAL APPLICATION. COMPONENT SUBSTITUTION AND PRINTED CIRCUIT BOARD LAYOUT MAY SIGNIFICANTLY AFFECT CIRCUIT PERFORMANCE OR RELIABILITY. CONTACT LINEAR TECHNOLOGY APPLICATIONS ENGINEERING FOR ASSISTANCE. THIS CIRCUIT IS PROPRIETARY TO LINEAR TECHNOLOGY AND SUPPLIED FOR USE WITH LINEAR TECHNOLOGY PARTS.

Multi-Chemistry 2A Battery Charger for Solar Power

LT3652EDD

DC1568A

SCALE: FILENAME: SHEET 1 OF 1

Unless noted:
 Resistors: Ohms
 0402
 1%
 1/16W
 Capacitors: 0402
 10%
 10V

Monday, July 06, 2009

LINEAR TECHNOLOGY
 1330 McCarty Rd
 Milpitas, CA 95055
 Fax: (408) 442-2070

Item	Qty	Reference - Des	Part Description	Manufacturer, Part #
REQUIRED CIRCUIT COMPONENTS:				
1	2	C2,C3	CAP., X7R, 4.7uF, 50V, 10%, 1210	MURATA, GRM32ER71H475KA88L
2	1	C4	CAP., X7R, 1uF, 50V, 10%, 0805	MURATA, GRM21BR71H105KA12B
3	1	C6	CAP., X5R, 100uF, 6.3V, 20%, 1210	MURATA, GRM32ER60J107ME20L
4	1	C7	CAP., X7R, 10uF, 10V, 10%, 0805	MURATA, GRM21BR71A106KE51L
5	1	C10	CAP., X5R, 0.68uF, 10V, 10%, 0402	MURATA, GRM155R61A684KE15D
6	2	D1,D2	SMD, SCHOTTKY BARRIER RECTIFIER	CENTRAL SEMI, CSMH3-40MA
7	1	D5	SMD, SCHOTTKY DIODE, SOT-23F	CENTRAL SEMI, CMPSH1-4
8	1	L1	POWER INDUCTOR, 10uH, 20%, 3.5A	VISHAY,IHLP2525CZER100M11
9	1	R1	RES., CHIP, 1MEG, 1/16W, 1%, 0402	VISHAY, CRCW04021M00FKED
10	1	R4	RES., CHIP, 536K, 1/16W, 1%, 0402	VISHAY, CRCW0402536KFKED
11	2	R5,R6	RES., CHIP, 100K, 1/16W, 1%, 0402	VISHAY, CRCW0402100KFKED
12	1	R7	RES., CHIP, 0.05 OHM, 1/2W, 1%, 1206	IRC, LRC-LR1206-01-R050-F
13	1	R10	RES., CHIP, 619K, 1/16W, 1%, 0603	VISHAY, CRCW0603619KFKED
14	1	R11	RES., CHIP, 412K, 1/16W, 1%, 0603	VISHAY, CRCW0603412KFKED
15	1	R12	RES., CHIP, 0.1 OHM, 1/2W, 1%, 1206	IRC, LRC-LR1206-01-R100-F
16	1	U1	MULTI-CHEMISTRY 2A BATTERY CHARGER FOR SOLAR POWER	LINEAR TECH.,LT3652EDD
ADDITIONAL DEMO BOARD CIRCUIT COMPONENTS:				
1	1	C1	CAP., SMT, 390uF, 50V, 20%	SANYO, 50CE390BS
2	2	C8,C9	CAP, CHIP, X7R, 0.022uF, ±10%, 16V, 0402	AVX, 0402YC223KAT2A
3	1	D3	LED, RED	PANASONIC, LNJ208R8ARA
4	1	D4	LED, GREEN	LITE-ON, LTST-C190KGKT
5	2	R2,R3	RES., CHIP, 5.1K,1/4W, 1%, 1206	VISHAY, CRCW12065K10FKEA
6	1	R8	RES., CHIP, 20, 1/16W, 5%, 0402	VISHAY, CRCW040220R0JNED
7	1	R9	RES., CHIP, 0, 1/16W, 5%, 0402	VISHAY, CRCW040200R0JNED
OPTIONAL DEMO BOARD CIRCUIT COMPONENTS:				
1	0	C5	CAP, OPT, 0402	CUSTOMER SELECTABLE
2	0	D6	SMD, SCHOTTKY BARRIER RECTIFIER	CENTRAL SEMI, CSMH3-40MA
3	0	J1	HEADER, 3 PINS	HIROSE ELECTRIC, DF3A-3P-2DSA
HARDWARE FOR DEMO BOARD ONLY:				
1	7	E1-E7	TESTPOINT, TURRET, .095"	MILL-MAX, 2501-2-00-80-00-00-07-0
2	1	J1	HEADER, 3 PINS	HIROSE ELECTRIC, DF3A-3P-2DSA
4	4	JP1-JP4	2MM SINGLE ROW HEADER, 3 PIN	SAMTEC, TMM-103-02-L-S
5	4	JP1-JP4	SHUNT,	SAMTEC, 2SN-BK-G
6	4		STAND-OFF, NYLON 0.625" tall (SNAP ON)	KEYSTONE, 8834 (SNAP ON)

Bill of Materials

