



REG

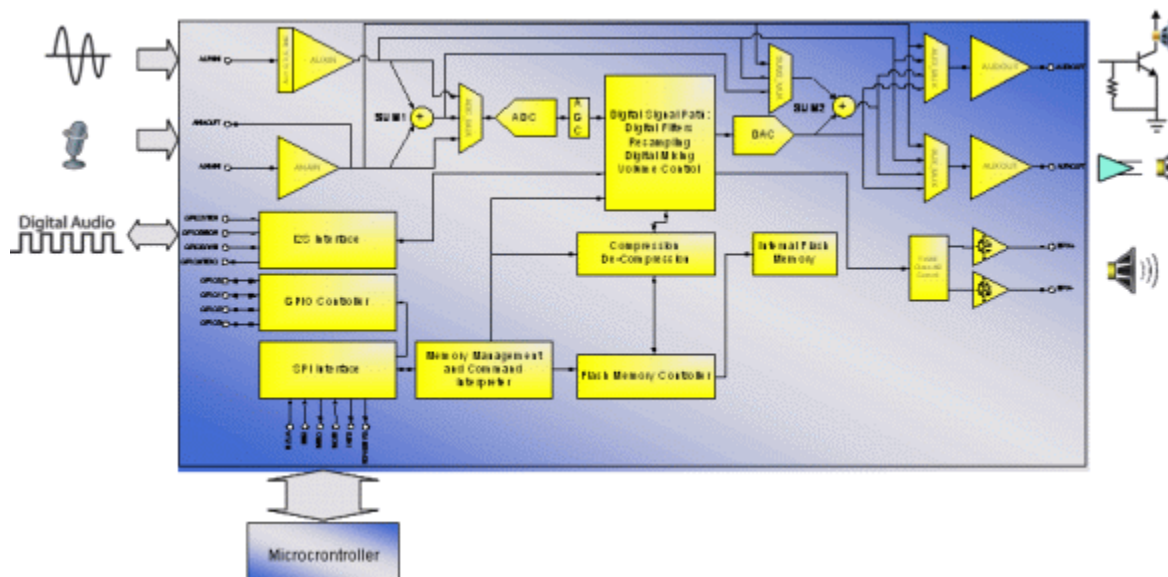
| | | | |
|-------------------------------|--------------------------------------|-----------------------------------|--------------------------|
| About Nuvoton | Products & Sales | News & Events | Investor |
|-------------------------------|--------------------------------------|-----------------------------------|--------------------------|

ISD15000 Series ChipCorder

The ISD15000 series is a multiple message ChipCorder? featuring digital compression, comprehensive memory management, and integrated analog/digital audio signal paths. The message management feature is designed to make message recording simple and address-free as well as making code development easier for playback only applications. This series provides audio record/playback with durations up to 16 minutes on a single-chip solution.

- Related li**
- [Block Diagram](#)
 - [Application Dia](#)
 - [Product Selecti](#)
 - [How to Buy](#)

Block Diagram



Product Selection Guide

| Part Number | Duration | Density | Sample Rate | Package | Develo |
|-----------------|----------|---------|--------------|---------|---------------|
| ISD15102 | 2 min. | 4 Mb | Up to 48 KHz | 48-LQFP | ISD, ISD-E |

| | | | | | |
|-----------------|---------|-------|--------------|---------|------------|
| ISD15104 | 4 min. | 8 Mb | Up to 48 KHz | 48-LQFP | ISD_ ISD-E |
| ISD15108 | 8 min. | 16 Mb | Up to 48 KHz | 48-LQFP | ISD_ ISD-E |
| ISD15116 | 16 min. | 32 Mb | Up to 48 KHz | 48-LQFP | ISD_ ISD-E |

[Legal Terms and Conditions](#) | [Privacy Statement](#) | [Contact Us](#)
©2008 Nuvoton Technology Corporation America - All Rights Reser