

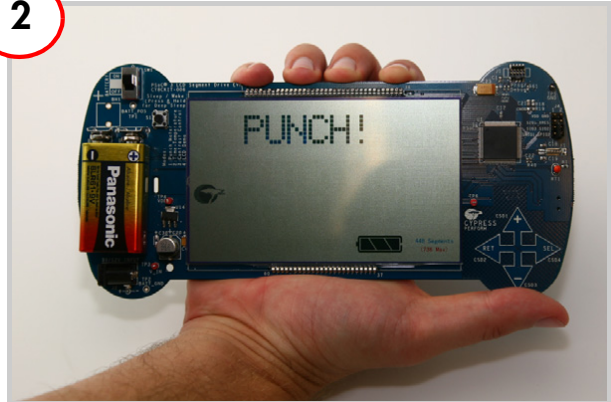
PSoC[®] 3 LCD SEGMENT DRIVE EVALUATION KIT QUICK START GUIDE

1



1. Connect 9V battery to board and set the switch to ON.

2



1. Press SEL three times in a row to start punch gauge demo.
2. Screen counts down, 3, 2, 1, Punch!

3



1. Push SEL to continue.

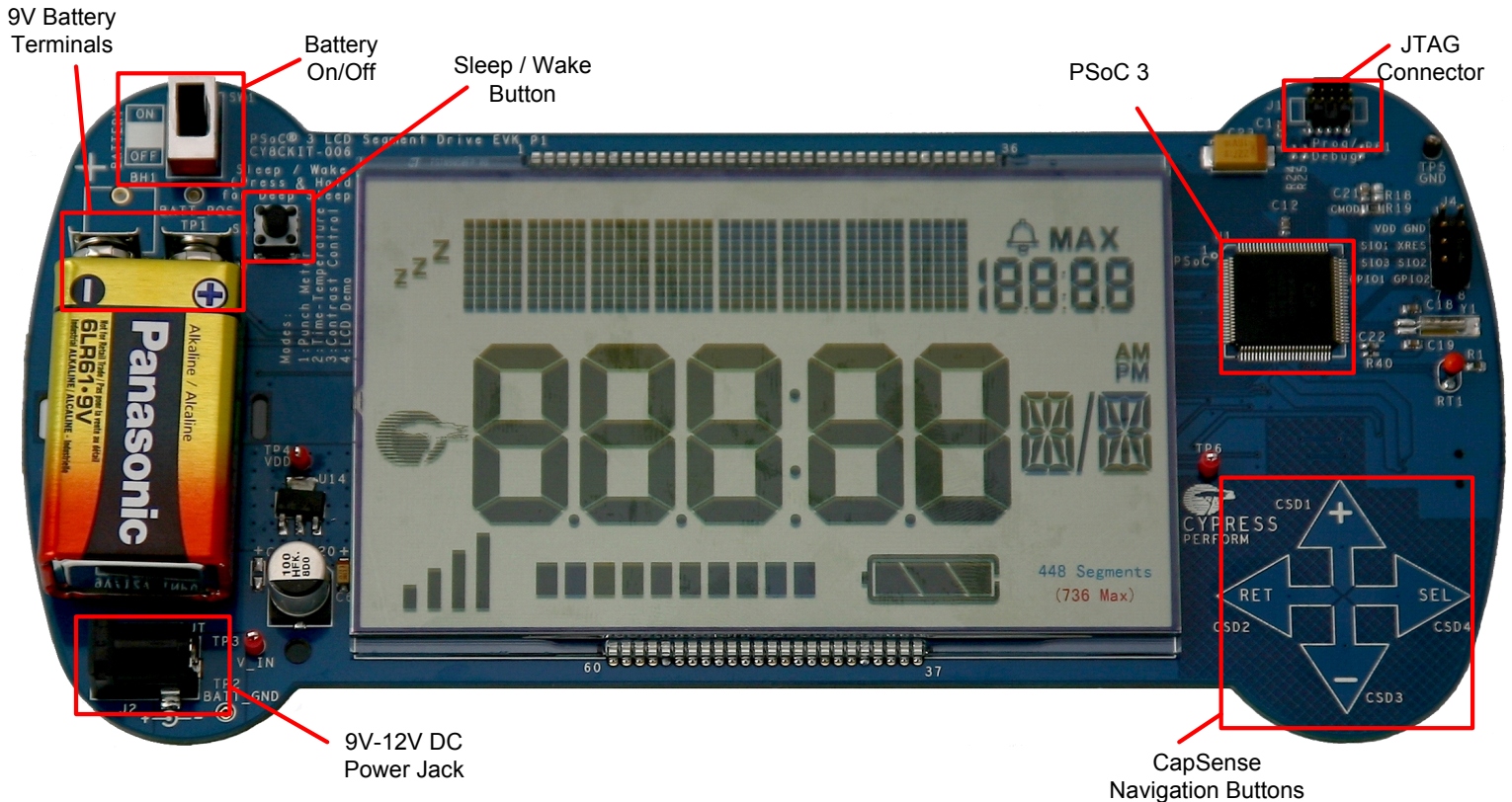
4



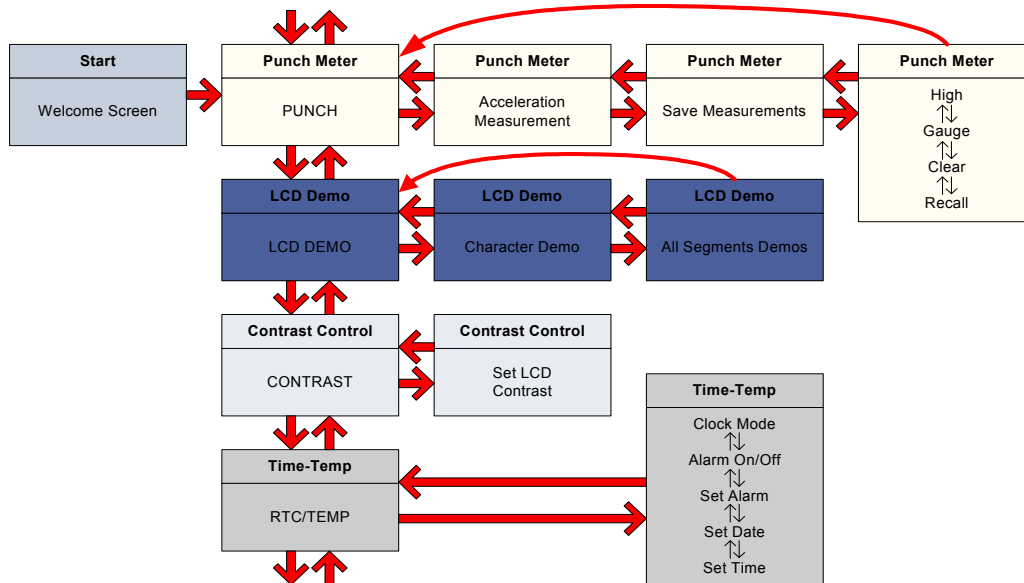
1. Insert the kit CD and run the CD's autorun utility.
2. Open the guide and install software.

PSoC 3 LCD SEGMENT DRIVE EVALUATION KIT QUICK START GUIDE

LCD Segment Drive Evaluation Kit Details



LCD Segment Drive Evaluation Kit Demo Control Flow



For the latest information about this kit visit
www.cypress.com/go/CY8CKIT-006



© 2009 Cypress Semiconductor Corporation. All rights reserved. All trademarks or registered trademarks referenced herein are the properties of their respective owners.

DOC#: 001-55373 REV **

[+] Feedback