

## EnerChip™ EH Solar Energy Harvester Evaluation Kit

### Features

CBC-EVAL-08 is a demonstration kit combining a solar panel energy transducer with the CBC5300 EnerChip EH module having two rechargeable 50µAh EnerChip solid state energy storage devices connected in parallel. The EnerChips provide storage and starting power for the energy harvesting module. The purpose of this demonstration platform is to enable designers to quickly develop Energy Harvesting applications. A block diagram of CBC-EVAL-08 is shown in Figure 1.

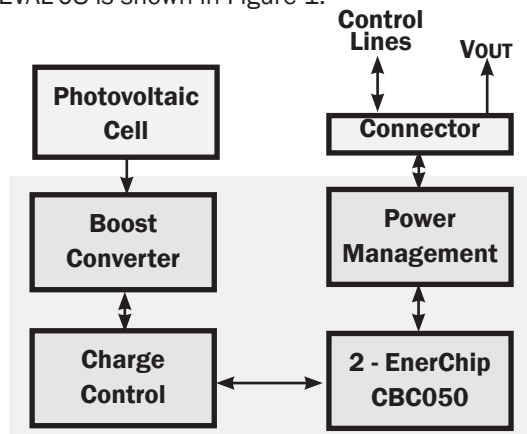


Figure 1: EnerChip CBC-EVAL-08 Demo Kit Block Diagram, with the Functional Elements of the CBC5300 EnerChip EH Module Shown in the Shaded Region

### System Description

Photovoltaic cells on CBC-EVAL-08 convert ambient light energy into electrical energy. Because the output voltage of the photovoltaic cells is too low to charge the EnerChips and power the rest of the system directly, a boost converter is used to raise the photovoltaic cell voltage to the voltage needed to charge the EnerChips.

The charge control block continuously monitors the output of the boost converter. If the output of the boost converter falls below the voltage needed to charge the EnerChips, the charge controller will disconnect the boost converter from the EnerChips. This prevents the EnerChips from back-powering the boost converter in low ambient light conditions. The power management block is used to protect

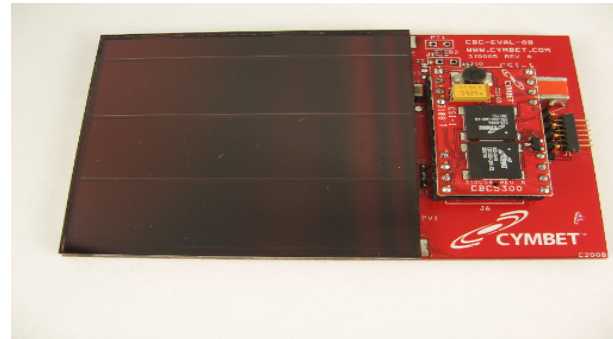


Figure 2: CBC-EVAL-08 Demo Kit - 3.55 x 2 (inches)

the EnerChips from discharging too deeply in low ambient light conditions or abnormally high current load conditions. The power management block also ensures that the load is powered up with a smooth power-on transition. The power management block has a control line (CHARGE) for indication to the system controller that the energy harvester is charging the EnerChips. A control line input (BATOFF) is available for the controller to disconnect itself from the EnerChips when it is necessary to extend run time in prolonged low ambient light conditions.

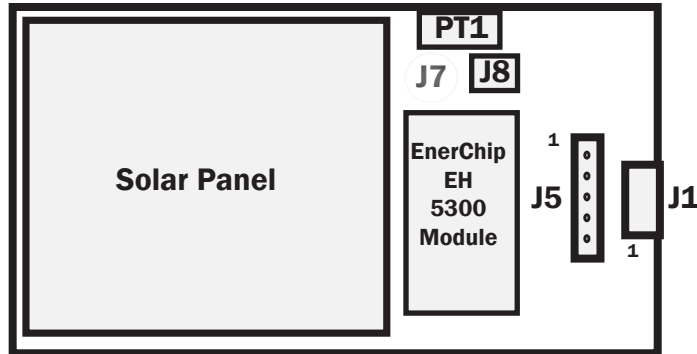
CBC-EVAL-08 is shown in Figure 2 with the CBC5300 EnerChip EH module mounted on the solar board.

There are two connectors on CBC-EVAL-08 for connection to target devices to be powered. Either connector can be used for low power microcontroller-based systems. In the case of a low power wireless end device, the CBC-EVAL-08 has storage energy for up to 1000 transmissions - depending on protocol used - in no/low ambient light conditions.

Microcontroller-based systems that are powered by the CBC-EVAL-08 should contain firmware that is "Energy Harvesting Aware" and take advantage of the power management status and control signals available on CBC-EVAL-08.

# EnerChip Solar Energy Harvesting Demo Kit

## CBC-EVAL-08 Module Connectors



**⚠** The CBC-EVAL-08 and CBC5300 modules are sensitive to electrostatic discharge (ESD) and must be handled accordingly. In cases where the CBC-EVAL-08 or CBC5300 modules are removed from their original packaging, it is a requirement to maintain the same type of anti-static, non-conductive packaging to prevent discharge of the on-board EnerChips. Do not store the CBC-EVAL-08 or CBC5300 modules in conductive black foam, as it will discharge and destroy the EnerChips on the CBC5300 module.

J1 Connector for User	
Pin Number(s)	Designation
1	BATOFF
2	GND
3	Not Connected
4	Not Connected
5	$V_{OUT2}$
6	CHARGE
Connector Type: Rt. Angle SIP	

J5 Connector for User	
Pin Number(s)	Designation
1	CHARGE
2	BATOFF
3	$V_{BAT}$
4	GND
5	$V_{OUT2}$
Connector Type: Vertical SIP	

PT1 Connector	
Pin Number(s)	Designation
1	Piezo input 1
2	Piezo input 2
Connector Type: Trace Vias	

J7 Connector	
Pin Number(s)	Description
1	Cut Trace to use external source
Connector Type: Circular pad and trace	

J8 Connector	
Pin Number(s)	Designation
1	Positive input
2	GND
Connector Type: Trace Vias	

Figure 3: EnerChip EVAL-08 Connections

### EVAL-08 Module Connector Explanations

**J1 Connector** - Power and handshaking signals for connection to a target board - e.g. wireless end-point module. (For reference, header connector J1 is Mill-Max p/n 850-10-006-20-001000; the socket it mates to is Mill-Max p/n 851-93-006-20-001000.)

**J5 Connector** - Power and handshaking signal pins for connection to a target board - e.g. wireless end-point module. (For reference, header connector J5 is a 5-pin section of Samtec 50-pin header p/n TSW-150-07-G-S.)

**J7 Connector** - This trace is to be cut if an alternate solar panel is to be connected to J8.

**J8 Jumper and Shunt** - This connector ships with the shunt installed to protect the EH module. The shunt is removed before CBC-EVAL-08 is charged for the first time. This connector can also be used to connect an alternate solar panel to CBC-EVAL-08.

**PT1 Connector** - An alternate piezoelectric (or other AC) energy harvesting transducer can be connected. It can be connected in parallel with the CBC-EVAL-08 solar panel by leaving J7 intact. Or, the piezoelectric transducer can be used stand-alone by cutting the J7 trace.

**Cable Assembly** - A 5-conductor cable with a header connector at each end is provided with CBC-EVAL-08 to facilitate connection between the J5 connector and a 5-pin header on the user's board.

# EnerChip Solar Energy Harvesting Demo Kit

## Connecting CBC-EVAL-08 to the System

The CBC-EVAL-08 board has two control lines that can be connected to a microcontroller (MCU) for the purpose of conserving available energy, using incoming power efficiently, and extending EnerChip life. The table below describes the functionality of the J1 and J5 connector pins.

J1 and J5 Pin Descriptions	
Pin	Designation
BATOFF	Input control line to the CBC-EVAL-08 for disconnecting the EnerChips from the CBC-EVAL-08 charging circuit. See the section <b>Circuit Recommendations to Save Power</b> for additional information.
$\overline{\text{CHARGE}}$	Active low output from the CBC-EVAL-08 indicating that the EnerChips have been charged or are being charged. This is an open drain output with an internal $10\text{M}\Omega$ pull-up resistor to $V_{\text{OUT2}}$ . See the section <b>Circuit Recommendations to Save Power</b> for additional information.
$V_{\text{BAT}}$ (not accessible from the J1 connector)	Connected indirectly to the EnerChips' positive terminals through an isolation FET. Voltage is one diode drop above the potential at $V_{\text{OUT2}}$ .
$V_{\text{OUT2}}$	System power
GND	System ground

- $V_{\text{OUT2}}$  is the DC output voltage from the CBC-EVAL-08 and is approximately 3.5V depending on load current. It provides power to the system according to the Operating Characteristics table shown below.
- GND is the ground connection of the CBC-EVAL-08. It is to be connected to the system ground line.
- $V_{\text{BAT}}$  is normally used for factory test purposes. It is indirectly connected to the on-board EnerChips through an isolation pass transistor. The voltage on  $V_{\text{BAT}}$  is connected to  $V_{\text{OUT2}}$  by a diode and thus the voltage at  $V_{\text{OUT2}}$  is one diode drop lower than the voltage on  $V_{\text{BAT}}$ . It is recommended that  $V_{\text{BAT}}$  remain disconnected from external circuits. In no event should  $V_{\text{BAT}}$  be used for any purpose other than to provide power to a load.
- BATOFF is typically controlled by a microcontroller I/O line. When driven high, the on-board EnerChips will be disconnected from the charging source of the CBC-EVAL-08. This feature allows all available power to be delivered to the load rather than to charging the EnerChips, a useful mode when limited transducer power is available or when higher operating current is required from the system. When BATOFF is driven low, the interaction between the charging source and the CBC-EVAL-08 behaves normally. In other words, when BATOFF is low the EnerChips will always be charging when sufficient input power is available.
- $\overline{\text{CHARGE}}$  is an output signal from the CBC-EVAL-08 that will be forced low under one of two conditions:
  - » When transducer output power is very low, a low level on  $\overline{\text{CHARGE}}$  indicates that the EnerChips have been charged.
  - »  $\overline{\text{CHARGE}}$  will also be driven low when transducer output power is more than sufficient to operate the boost converter and charge the EnerChips at peak rate, regardless of the state of charge of the EnerChips. Programming an MCU timer to allow enough charging time to elapse after the assertion of  $\overline{\text{CHARGE}}$  will ensure that the EnerChips are fully charged before using them to deliver power to the system. The advantage is that the system is then aware of the minimum reservoir of energy available in the event transducer power goes to zero.

# EnerChip Solar Energy Harvesting Demo Kit

## Operating Characteristics

Parameter	Condition	Min	Typical	Max	Units
Input Luminous Intensity	Minimum operating Lux	200 <sup>(1)</sup>	-	-	Lux
	Full charge rate	700 <sup>(1)</sup>	-	-	Lux
Parasitic Load Current	Boost converter off	-	800	-	nA
	Boost converter on	-	20	-	μA
Average Output Power (measured at V <sub>OUT2</sub> pin)	1000 Lux (FL), EnerChips not charging	-	350	-	μW
	200 Lux (FL), EnerChips not charging	-	80	-	μW
V <sub>OUT2</sub> , 2 μA Load	EnerChips charged	3.5	3.55	3.6	V
V <sub>BAT</sub> Charging Voltage	25 °C	-	4.06	-	V
EnerChip Cutoff Voltage	4.7kΩ load	3.0	3.3	3.6	V
Pulse Discharge Current	20 msec	-	30	-	mA
Self-Discharge (non-recoverable average)	25 °C	-	2.5	-	% per year
Recharge Cycles (to 80% of rated capacity; 4.1 V charge voltage)	25 °C	10% depth-of-discharge	5000	-	-
		50% depth-of discharge	1000	-	-
	40 °C	10% depth-of-discharge	2500	-	-
		50% depth-of-discharge	500	-	-
Recharge Time (to 80% of rated capacity)	From 50% state-of-charge	-	10	-	minutes
	From deep discharge	-	50	-	minutes
Capacity	16 μA discharge; 25 °C	-	100	-	μAh

(1) Fluorescent (FL) Light Conditions

Specifications subject to change without notice

## EVAL-08 Circuit Schematic

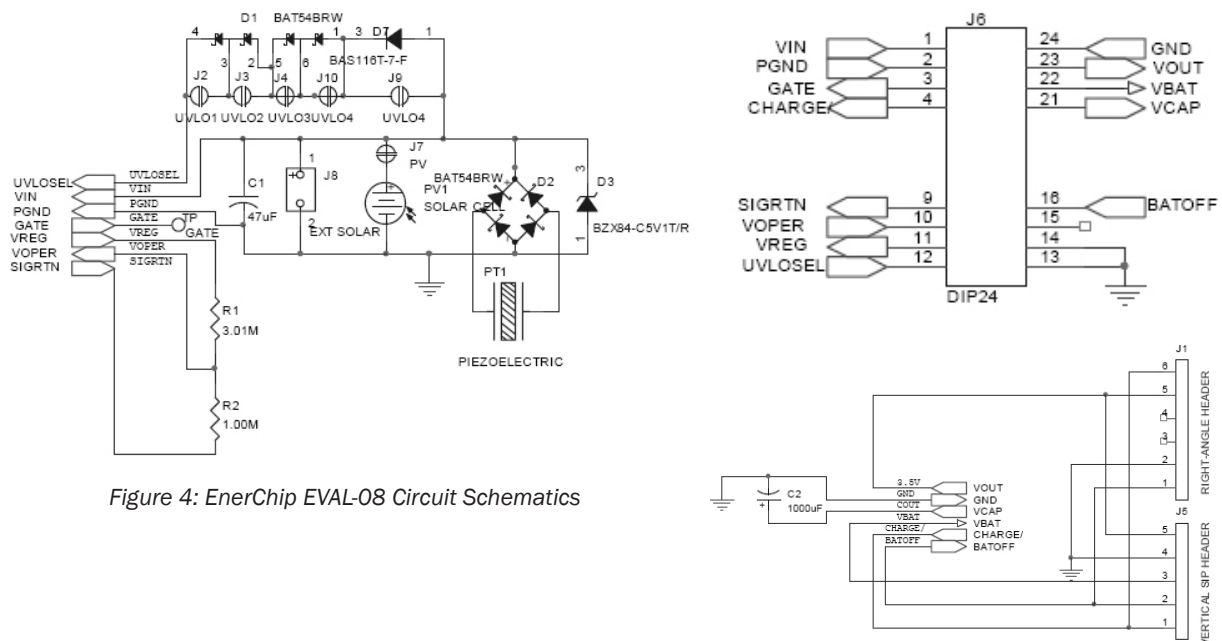


Figure 4: EnerChip EVAL-08 Circuit Schematics

# EnerChip Solar Energy Harvesting Demo Kit

---

## Designing for Pulse Discharge Currents in Wireless Devices

Pulse currents of tens of milliamperes are common in wireless sensor systems during transmit and receive modes. Pulse discharge currents place special demands on energy storage devices. Repeated delivery of pulse currents exceeding the recommended load current of a given chemistry will diminish the useful life of the cell. The effects can be severe, depending on the amplitude of the current and the particular cell chemistry and construction. Moreover, the internal impedance of the cell often results in an internal voltage drop that precludes the cell from delivering the pulse current at the voltage necessary to operate the external circuit. One method of mitigating such effects is to place a low Equivalent Series Resistance (ESR) capacitor across the main energy storage device. The storage device charges the capacitor between discharge pulses and the capacitor delivers the pulse current to the load. Specifying the capacitance for a given energy storage device in an application is a straightforward procedure, once a few key parameters are known. The key parameters are:

- » Storage cell impedance (at temperature and state-of-charge)
- » Storage cell voltage (as a function of state-of-charge)
- » Operating temperature
- » Pulse current amplitude
- » Pulse current duration
- » Allowable voltage droop during pulse discharge

Two equations will be used to calculate two unknown parameters:

- 1) the output capacitance needed to deliver the specified pulse current of a known duration;
- 2) the latency time that must be imposed between pulses to allow the capacitor to be recharged by the main energy storage device such as the EnerChip solid state storage cell.

Both formulae will assume that the capacitor ESR is sufficiently low to result in negligible internal voltage drop while delivering the specified pulse current; consequently, only the EnerChip device resistance will be considered in the formula used to compute capacitor charging time and only the load resistance will be considered when computing the capacitance needed to deliver the discharge current. The first step in creating an EnerChip-capacitor couple for pulse current applications is to size the capacitance using the following formula:

Discharge formula:  $C = t / [ R * \ln (V_{max} / V_{min}) ]$

where:

C = output capacitance, in parallel with EnerChip;

t = pulse duration;

R = load resistance =  $V_{out(average)} / I_{pulse}$

V<sub>min</sub> and V<sub>max</sub> are determined by the combination of the EnerChip voltage at a given state-of-charge and the operating voltage requirement of the external circuit.

Once the capacitance has been determined, the capacitor charging time can be calculated using the following formula:

Charge formula:  $t = - R * C * \ln [ (V_{max} - V_{chg}) / (V_{min} - V_{chg}) ]$

where:

t = capacitor charging time, from V<sub>min</sub> to V<sub>max</sub>

R = EnerChip resistance

C = output capacitance, in parallel with EnerChip

V<sub>max</sub> = final voltage to which the capacitor must be charged prior to delivering the next current pulse

V<sub>min</sub> = initial voltage on the capacitor when charging begins

V<sub>chg</sub> = applied charging voltage on the capacitor

## EnerChip Solar Energy Harvesting Demo Kit

---

Again,  $V_{min}$  and  $V_{max}$  are functions of the EnerChip voltage and the circuit operating specifications. EnerChip resistance varies according to temperature and state-of-charge as described above. Worst-case conditions are often applied to the calculations to ensure proper system operation over temperature extremes, EnerChip condition, capacitance tolerance, etc.

The composite resistance of the 2-cell parallel EnerChip arrangement on the CBC-EVAL-08 board ranges from  $375\Omega$  to about  $1000\Omega$ . At the output stage, a  $1000\mu F$ , low resistance capacitor in parallel with the EnerChips delivers peak power to the external circuit, which might contain a microcontroller and radio, for example. The EnerChips deliver the lower level, continuous (average) power to the load. EnerChip electrical resistance is fairly constant from 100% state-of-charge to about 10% state-of-charge; its internal resistance begins to increase significantly only when the state-of-charge is reduced below approximately 10%.

A question often arises: "How many radio transmission pulses can be delivered by the two EnerChips on the CBC5300?" The answer depends on a number of factors including the pulse current amplitude, pulse duration, operating temperature, etc. The question will be addressed by way of example.

To extend the life of the EnerChips, assume the EnerChips will be cutoff from the load when a 50% state-of-charge has been reached. (See the section titled Protection of EnerChip Storage Devices for a description of how this is accomplished.) With  $100\mu Ah$  of combined capacity in the two EnerChips, a 50% state-of-charge is simply  $50\mu Ah$ . Further, suppose each radio transmission uses 30mA for 20ms. The charge per pulse is:

$$30mA * 20ms = 600\mu A\text{-seconds} = 0.167\mu Ah.$$

That amount of charge is transferred from the EnerChips into the output capacitor, which then delivers the charge to the load at the rate demanded by the radio. On the CBC-EVAL-08, there is a series diode between the output capacitor and the output pin ( $V_{OUT2}$ ), resulting in a diode voltage drop that must be taken into account.

In that scenario, 50% of the  $100\mu Ah$  allows  $50\mu Ah / 0.167\mu Ah = 300$  transmissions to be made if no ambient power is available (i.e., when CHARGE is high). In this example, the background (sleep) current that is drawn between transmissions has been neglected. Use actual power consumption numbers to arrive at the number of transmissions available in any given application. The MCU can be programmed to utilize this information to conserve power and maximize the service life of the EnerChips, as described in the following sections.

### Protection of EnerChip Storage Devices

The CBC5300 energy harvester module contains a low voltage cutoff circuit that prevents the EnerChips from being completely discharged - a condition that would permanently damage the storage device. The cutoff circuit places a parasitic 800nA load on the EnerChips - a load that would discharge the two EnerChips in approximately 125 hours, or just over 5 days. If the EnerChips are allowed to reach the cutoff voltage at such low discharge currents, their specified cycle life will be reached after a few hundred of such deep discharge cycles. To avoid this condition and extend the service life of the EnerChip, it is advisable to program the MCU to count transmission cycles or elapsed time to determine when the EnerChips' state-of-charge is approximately 50%, at which time the MCU would force itself or another system circuit element to briefly draw high power from the CBC-EVAL-08, forcing the CBC-EVAL-08 circuit into a cutoff mode and thereby disconnecting the EnerChips from the circuit. Drawing a brief burst of a few milli-Amperes from the CBC-EVAL-08 will force the cutoff condition to occur within a few seconds. This will ensure that the charge/discharge cycle life of the EnerChips will be greater than 5000, as rated. To calculate the number of hours the EnerChips are capable of supplying energy to the load, add the cutoff current to the average load current drawn by the system and divide the sum into the combined  $100\mu Ah$  capacity of the two EnerChips. The quotient is the number of hours until the EnerChip is totally depleted. Divide that number in half to reach the 50% depth-of-discharge time.

# EnerChip Solar Energy Harvesting Demo Kit

## Guidelines for Attaching Other Energy Harvesting Transducers

Other energy harvesting transducers (e.g., inductive, piezoelectric, thermoelectric) may be attached to the CBC-EVAL-08. As configured, the CBC-EVAL-08 will operate with many other transducer types. However, performance specifications of these other transducers - namely output impedance - will affect the power conversion efficiency of the CBC-EVAL-08 kit as designed. Please contact Cymbet Applications Engineering at the phone number shown below to discuss your specific application and desired alternate transducer(s).

The CBC5300 module is designed to work with transducers having an output impedance over the range of 50Ω to 4kΩ and an input voltage range of 270mV to 1.5V. The minimum open circuit voltage to start operation is 700mV. The nominal voltage and impedance is 800mV at 1kΩ. Operating characteristics for most transducer types are typically available from the manufacturer's data sheet. Output impedance, operating voltage, and peak power point can also be verified by empirical measurements. To do this, measure the load voltage and current as a variable load impedance across the transducer is swept over a broad enough range where the peak power point can be found by finding the maximum product of the measured load voltage and current.

To configure the CBC5300 to work with a given transducer, the optimal transducer operating voltage point must first be obtained through the manufacturer's data sheet or from empirical measurements. Next calculate the values needed for a voltage divider to set the operating voltage point on the VOPER pin (pin 10 of J6). The top of the voltage divider uses VREG (pin 11 of J6) as its voltage source; the bottom of the voltage divider is connected to ground. VOPER is equal to  $V_{REG} * (R2 / (R1 + R2))$ , where VREG is nominally 4.06V and R2 (bottom resistor) is in the range of 500kΩ to 1MΩ with the optimal value around 750kΩ. Note: Better circuit performance (i.e., less input ripple voltage) will be obtained if R2 is made smaller than 750kΩ. A more useful formula is:  $R1 = R2 * ((V_{REG} / V_{OPER}) - 1)$ . Example: For a 1kΩ photovoltaic cell with operating voltage of 800mV, R1 can be determined as  $R1 = 732kΩ * ((4.06V / 800mV) - 1) = 2.98MΩ$ . A 3.01MΩ resistor is the nearest standard value. R2 was chosen as a standard resistor value. 750kΩ for R2 is also a standard resistor value but the VOPER voltage will be further away from nominal due to the standard resistor values available for R1.

Capacitor C1 (22μF) is used to set the bandwidth of the boost converter control loop. If a low impedance transducer is used the value of C1 might have to be reduced in value. This can be verified using an oscilloscope to check the waveform on GATE (pin 3 of J6). The waveform should be three pulses followed by a longer interval, followed again by three pulses. The three pulses will have approximately 16.7μs of high duration followed by 16.7μs of low duration. If more than three pulses are in the waveform then the value of C1 should be reduced to obtain the nominal waveform.

When using a power transducer other than the solar cell supplied with the CBC-EVAL-08, it is recommended that the solar cell be isolated from the input stage prior to connecting the other transducer. This is easily done by cutting trace connector J7. The alternate transducer can then be used as the input power transducer by connecting it across connector PT1 if using an AC transducer such as a piezoelectric element, or, across connector J8 if using a DC transducer - for example, a different solar cell. For more efficient performance, follow the recommendations given earlier in this section. If multiple transducer types are to be used - for example, a solar cell and a piezoelectric transducer, or a solar cell and a thermoelectric generator - contact Cymbet Applications Engineering for design support.

## System Level Considerations when Using a Low Power Energy Harvester

The CBC5300 is capable of supplying 10s to 100s of μW of continuous power to the load. Most applications operating with radios and microcontrollers typically need 10s to 100s of mW of power under peak load conditions. The disparity between what is available and what is needed can be made up by limiting the amount of time the load is powered and waiting sufficient time for the energy harvester to replenish the energy storage device before the subsequent operation commences. In typical remote RF sensor applications, the 'on' time will be on the order of 5-20ms, with an 'off' time of several seconds to several hours depending on the application and available energy source. The duty cycle is an important consideration when designing a wireless system.

# EnerChip Solar Energy Harvesting Demo Kit

---

While it is relatively straightforward to calculate a power budget and design a system to work within the constraints of the power and energy available, it is easy to overlook the power required to initialize the system to a known state and to complete the radio link with the host system or peer nodes in a mesh network. The initialization phase can sometimes take two to three times the power needed for steady state operation. Ideally, the hardware should be in a low power state when the system power-on reset is in its active state. If this is not possible, the microcontroller should place the hardware in a low power state as soon as possible. After this is done, the microcontroller should be put into a sleep state long enough for the energy harvester to replenish the energy storage device. If the power budget is not exceeded during this phase, the system can continue with its initialization. Next, the main initialization of the system, radio links, analog circuits, and so forth, can begin. Care should be taken to ensure that the time the system is on during this phase does not exceed the power budget. Several sleep cycles might be needed to 'stairstep' the system up to its main operational state. The Cymbet CBC5300 energy harvester module has a handshake line CHARGE to indicate to the microcontroller when energy is available. Another way to know whether energy is available is to have the microcontroller monitor the voltage on its power bus using one its internal A/D converters.

## Circuit Recommendations to Save Power

In most system power budgets, the peak power required is not as critical as the length of time the power is required. Careful selection of the message protocol for the RF link can have a significant impact on the overall power budget. In many cases, using higher power analog circuits that can be turned on, settle quickly, and be turned off can decrease the overall energy consumed. Microcontroller clock frequency can also have a significant impact on the power budget. In some applications it might be advantageous to use a higher microcontroller clock frequency to reduce the time the microcontroller and peripheral circuits are active. Avoid using circuits that bias microcontroller digital inputs to mid-level voltages; this can cause significant amounts of parasitic currents to flow. Use  $10\text{M}\Omega$  to  $22\text{M}\Omega$  pull-up/down resistors where possible. However, be aware that high circuit impedances coupled with parasitic capacitance can make for a slow rise/fall time that can place the voltage on the microcontroller inputs at mid-levels, resulting in parasitic current flow. One solution to the problem is to enable the internal pull-up/down resistor of the microcontroller input to force the input to a known state, then disable the resistor when it's time to check the state of the line. If using the microcontroller's internal pull-up/down resistors on the inputs to bias push-button switches in a polled system, leave the pull-up/down resistor disabled and enable the resistor only while checking the state of the input port. Alternatively, in an interrupt-driven system, disable the pull-up/down resistor within the first few instructions in the interrupt service routine. Enable the pull-up/down resistor only after checking that the switch has been opened.

Microcontroller pull-up/down resistors are typically less than  $100\text{k}\Omega$  and will be a huge load on the system if left on continuously while a button is being pressed or if held for any significant length of time. For even greater reduction in power, use external pull-up/down resistors in the  $10\text{M}\Omega$  to  $22\text{M}\Omega$  range. Bias the external resistor not with the power rail but with a microcontroller port. The same algorithm used for internal pull-up/down resistors can then be used to save power. The CHARGE line on the CBC5300 has a  $10\text{M}\Omega$  pull-up resistor with a very slow rise time. Use an internal microcontroller pull-down resistor to force the CHARGE line low all of the time and then disable the pull-down resistor to check the state of the line. This will keep the CHARGE line from biasing the input at mid level for long periods of time which could cause large parasitic currents to flow.

The CBC5300 energy harvester module has a feature for disabling the on-board EnerChip thin film storage devices. A handshake line BATOFF is provided for use of this feature. A high level will disable the EnerChips. This is useful in very low ambient energy conditions to steer all of the available energy into the load. EnerChip devices have very low self-discharge rates (typically 2.5% per year) so it is not necessary to continuously charge them.



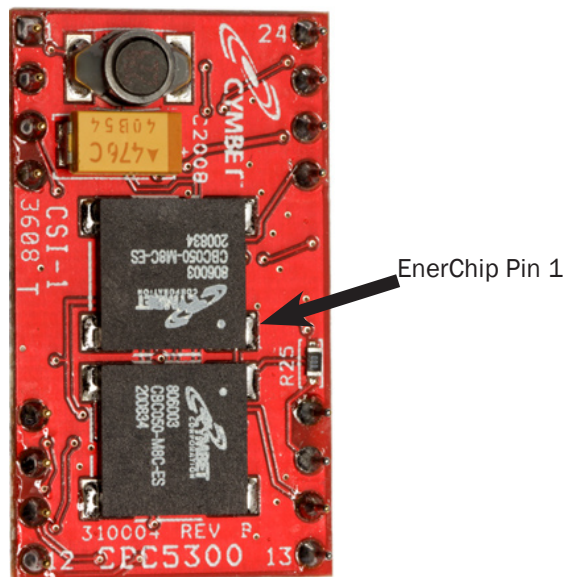
# EnerChip Solar Energy Harvesting Demo Kit

## Troubleshooting Test Procedure

- 1) Using a voltmeter, put the ground lead on J5 pin 4 and probe J7 (left pin). Voltage should be 1.0V. This test verifies operation of the photovoltaic cell.
- 2) Probe right side of the tantalum capacitor (brown bar side) on the CBC5300 module. Voltage should be between 4.5V and 9V depending on ambient light and EnerChip device state-of-charge. This test verifies operation of the boost converter.
- 3) Probe the positive (bottom side) terminal of capacitor C2 on the CBC-EVAL-08. Voltage should be 4.06V, or steadily increasing if there is no output voltage. When the capacitor voltage reaches 3.8V, the output will turn on from zero volts to the voltage across capacitor C2. Note C2 will not be charging if the EnerChips are depleted. When the CBC-EVAL-08 is first powered up, the CBC5300 will first charge the EnerChips, then charge the output capacitor C2, then switch on the output when C2 is charged.
- 4) Probe J5 Pin 3 (VBAT). This pin should be at 4.06V.
- 5) Probe J5 Pin 5 (VOUT). This pin should be at 3.5V.
- 6) Probe J5 Pin 1 (CHARGE/). This pin should be at zero volts if the EnerChips are charged and enough ambient energy is available to operate the CBC5300 module. Depending on the input impedance of the voltmeter, a high level on this pin would read between 1.0V and 3.5V.

If none of the above works, check pin 1 on one of the EnerChips on the CBC5300 module (with it plugged into the solar board), as indicated in the figure below. It should read approximately 3.9V. If the voltage is less than 3.0V, the EnerChips have been damaged.

In applications where a radio is being used - as in wireless sensor networks - there can sometimes be external electrical interference with the radio signal that causes the radio receiver to stay on longer than normal. If this happens, the CBC-EVAL-08 output capacitor C2 will become discharged and the low voltage cutoff circuit will engage, isolating the EnerChips from the load. If this happens it can take from several minutes to an hour or more for the EnerChips and output capacitor to be recharged.



# EnerChip Solar Energy Harvesting Demo Kit

---

## Frequently Asked Questions

- Q: I am not sure if I have enough light to charge the EnerChip storage devices?  
A: Probe right side of the tantalum capacitor (brown bar side) on the CBC5300 module. Voltage should be between 4.5V and 9V depending on ambient light and state-of-charge. This test verifies operation of the boost converter.
- Q: What if I short-circuit the output?  
A: The disconnect circuit will disconnect the EnerChip devices from the output after the capacitor is discharged below about 3.0V. This prevents the EnerChip storage cells from being discharged too deeply. The EnerChip cells will automatically be reconnected after the capacitor is recharged.
- Q: What happens if I want to run a larger pulse current application?  
A: See application note AN-1025. The output capacitor can be sized to drive almost any load as long as the duration is not too long. AN-1025 describes how to calculate the capacitor size.
- Q: Are the EnerChip storage devices on the board safe and 'green'?  
A: Yes; there are no safety issues with the Cymbet EnerChips storage devices or solar energy harvesting board. All of the components are 'green.'
- Q: What happens if the cell is short-circuited? Will it explode or leak harmful chemicals?  
A: No. There are no harmful chemicals to leak and the energy storage cells will not explode.
- Q: I want to remove the CBC5300 module from the solar board. May I do this?  
A: Yes; however, you MUST use a DIP chip-type extraction tool to pull the DIP module from the board or you might break the pins off of the CBC5300 board.
- Q: The VBAT line and the VOUT2 line are at different potentials. Why?  
A: The VBAT line is the raw EnerChip cell output. The VOUT2 line is down-regulated to provide a lower voltage for 3.3V +/- 10% applications.
- Q: How long will the CBC5300 module operate with no ambient light?  
A: This depends on many factors, including power consumption, EnerChip state-of-charge, operating temperature, etc. The on-board EnerChips provide 100µAh of discharge capacity when fully charged.
- Q: How long will the CBC5300 module last if I use it every day and it is in the light most of the time?  
A: The CBC5300 module should last at least 10 years.
- Q: How long will the two cells on the CBC5300 module hold a charge, assuming no light?  
A: The self-discharge of the cell is a function of several parameters, including temperature. For the self-discharge specifications, see the product data sheets at <http://www.cymbet.com/content/products.asp>.
- Q: What happens if the cell is left in a discharged state for a long period of time?  
A: Leaving the cell in a discharged state is not detrimental to the cell performance.

# EnerChip Solar Energy Harvesting Demo Kit

- Q: What happens if the CBC-EVAL-08 is exposed to light indefinitely?  
 A: This is not harmful to it.
- Q: Can I use the CBC-EVAL-08 or CBC5300 module as a permanent, stand-alone power supply?  
 A: Yes; take the output from VBAT or VOUT2 and ground.
- Q: I see no voltage on VBAT or VOUT2.  
 A: Make sure the jumper is not across J7, as this shorts out the solar panel. Place the unit in a well lit area, wait for about 30 minutes, and try again.

## CBC-EVAL-08 Bill of Materials

Qty.	Ref.	Manufacturer	Manufacturer P/N	Description
1	R2	Vishay/Dale	CRCW06031M00FKEA	RES 1.00M OHM 1/10W 1% 0603 SMD
1	R1	Vishay/Dale	CRCW06033M01FKEA	RES 3.01M OHM 1/10W 1% 0603 SMD
1	C1	Kemet	C1206C476M9PACTU	CAP CERAMIC 47UF 6.3V X5R 1206
1	C2	Vishay/Sprague	592D108X96R3R2T20H	CAP TANT 1000UF 6.3V 10% SMD
1	D7	Diodes Inc	BAS116T-7-F	DIODE SWITCH 85V 150MW SOT523
2	D1, D2	Micro Commercial Co.	BAT54BRW-TP	DIODE SCHOTTKY 200MW 30V SOT363
1	D3	NXP Semiconductors	BZX84-C5V1 T/R	DIODE ZENER 250W 5.1V 5% SOT23
1	PV1	----	----	TRANSDUCER
0.08	J8, PT1	Samtec	TSW-150-07-G-S	CONN HEADER 50POS .100" SGL GOLD
0.1	J5	Samtec	TSW-150-07-G-S	CONN HEADER 50POS .100" SGL GOLD
0.12	J1	Mill-Max Mfg. Corp.	850-10-050-20-001000	CONN HEADER RT ANG 50POS .050
1	J6	Mill-Max Mfg. Corp.	110-43-624-41-001000	IC SOCKET 24-PIN .600 GOLD
1	DIP24	Cymbet Corporation	CBC5300	ENERGY HARVESTING MODULE 24-PIN DIP

## Environmental and Transportation Standards Compliance



CE is not applicable to this product



## Ordering Information

EnerChip Part Number	Description	Notes
CBC-EVAL-08	EnerChip Solar Energy Harvesting Demo Kit	Contains Solar Board and CBC5300 Module
CBC5300	EnerChip EH Module	CBC5300 Module in 24-pin DIP Configuration

### Disclaimer of Warranties; As Is

The information provided in this data sheet is provided "As Is" and Cymbet Corporation disclaims all representations or warranties of any kind, express or implied, relating to this data sheet and the Cymbet EnerChip product described herein, including without limitation, the implied warranties of merchantability, fitness for a particular purpose, non-infringement, title, or any warranties arising out of course of dealing, course of performance, or usage of trade. Cymbet EnerChip products are not approved for use in life critical applications. Users shall confirm suitability of the Cymbet EnerChip product in any products or applications in which the Cymbet EnerChip product is adopted for use and are solely responsible for all legal, regulatory, and safety-related requirements concerning their products and applications and any use of the Cymbet EnerChip product described herein in any such product or applications.

**Cymbet, the Cymbet Logo and EnerChip are trademarks of Cymbet Corporation. All Rights Reserved**