



# STEVAL-ILB008V1

## 4 x 18 W wide-range ballast based on the L6585DE combo IC

Data brief

### Features

- Input voltage: 90 to 265 V<sub>RMS</sub>
- Line frequency: 50/60 Hz
- Capable of driving 4 x 18 W T8-type tubes
- Power factor: > 0.98
- THD: 10%
- Average efficiency: 90%
- EN55015 compliant
- End-of-life detection
- Broken lamp protection with adjustable timing
- RoHS compliant

### Description

The STEVAL-ILB008V1 is a wide-range lighting ballast capable of driving 4 x 18 W linear T8 fluorescent tubes.

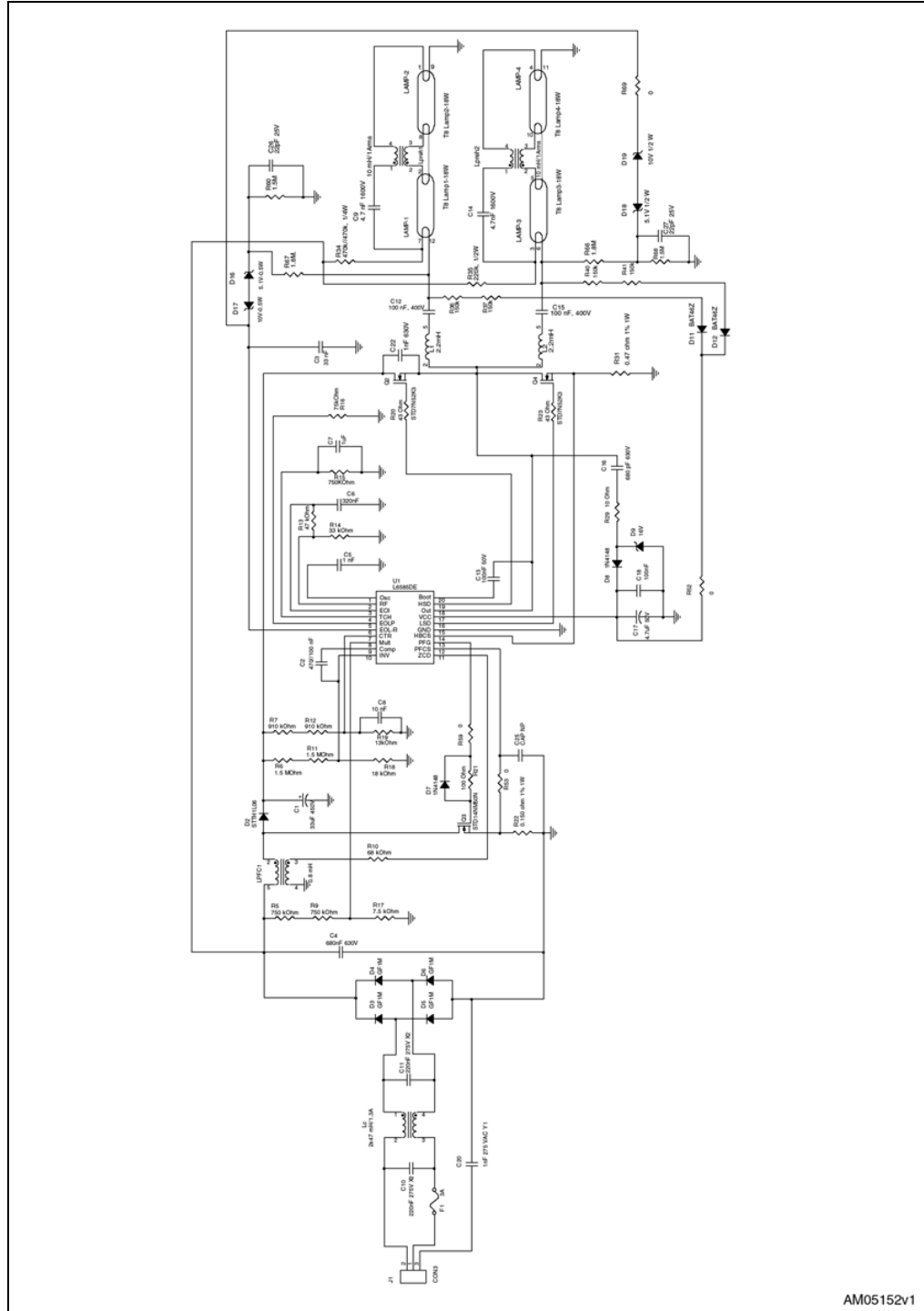
The ballast is controlled by the L6585DE IC, which integrates PFC and half-bridge control circuits, relevant drivers, and the circuitry required to manage all lamp operating phases (pre-heating, ignition and run mode). Protection against failures such as lamp disconnection, anti-capacitive mode, and PFC overvoltage are guaranteed and achieved using a minimum number of external components.

An electronic ballast consumes less power and therefore dissipates less heat than an electromagnetic ballast. The energy saved is estimated to be in the range of 20-25% for a given lamp power. Moreover, an electronic solution allows for improved control of the filament current and lamp voltage during pre-heating, resulting in increased lamp life.



# 1 Schematic diagram

Figure 1. Electrical schematic - 4 x 18 W T8 main wide range



AM05152v1

## 2 Revision history

**Table 1. Document revision history**

Date	Revision	Changes
20-Jan-2010	1	Initial release.
25-Feb-2011	2	Modified <i>Figure 1: Electrical schematic - 4 x 18 W T8 main wide range</i> .

**Please Read Carefully:**

Information in this document is provided solely in connection with ST products. STMicroelectronics NV and its subsidiaries ("ST") reserve the right to make changes, corrections, modifications or improvements, to this document, and the products and services described herein at any time, without notice.

All ST products are sold pursuant to ST's terms and conditions of sale.

Purchasers are solely responsible for the choice, selection and use of the ST products and services described herein, and ST assumes no liability whatsoever relating to the choice, selection or use of the ST products and services described herein.

No license, express or implied, by estoppel or otherwise, to any intellectual property rights is granted under this document. If any part of this document refers to any third party products or services it shall not be deemed a license grant by ST for the use of such third party products or services, or any intellectual property contained therein or considered as a warranty covering the use in any manner whatsoever of such third party products or services or any intellectual property contained therein.

**UNLESS OTHERWISE SET FORTH IN ST'S TERMS AND CONDITIONS OF SALE ST DISCLAIMS ANY EXPRESS OR IMPLIED WARRANTY WITH RESPECT TO THE USE AND/OR SALE OF ST PRODUCTS INCLUDING WITHOUT LIMITATION IMPLIED WARRANTIES OF MERCHANTABILITY, FITNESS FOR A PARTICULAR PURPOSE (AND THEIR EQUIVALENTS UNDER THE LAWS OF ANY JURISDICTION), OR INFRINGEMENT OF ANY PATENT, COPYRIGHT OR OTHER INTELLECTUAL PROPERTY RIGHT.**

**UNLESS EXPRESSLY APPROVED IN WRITING BY AN AUTHORIZED ST REPRESENTATIVE, ST PRODUCTS ARE NOT RECOMMENDED, AUTHORIZED OR WARRANTED FOR USE IN MILITARY, AIR CRAFT, SPACE, LIFE SAVING, OR LIFE SUSTAINING APPLICATIONS, NOR IN PRODUCTS OR SYSTEMS WHERE FAILURE OR MALFUNCTION MAY RESULT IN PERSONAL INJURY, DEATH, OR SEVERE PROPERTY OR ENVIRONMENTAL DAMAGE. ST PRODUCTS WHICH ARE NOT SPECIFIED AS "AUTOMOTIVE GRADE" MAY ONLY BE USED IN AUTOMOTIVE APPLICATIONS AT USER'S OWN RISK.**

Resale of ST products with provisions different from the statements and/or technical features set forth in this document shall immediately void any warranty granted by ST for the ST product or service described herein and shall not create or extend in any manner whatsoever, any liability of ST.

ST and the ST logo are trademarks or registered trademarks of ST in various countries.

Information in this document supersedes and replaces all information previously supplied.

The ST logo is a registered trademark of STMicroelectronics. All other names are the property of their respective owners.

© 2011 STMicroelectronics - All rights reserved

STMicroelectronics group of companies

Australia - Belgium - Brazil - Canada - China - Czech Republic - Finland - France - Germany - Hong Kong - India - Israel - Italy - Japan - Malaysia - Malta - Morocco - Philippines - Singapore - Spain - Sweden - Switzerland - United Kingdom - United States of America

[www.st.com](http://www.st.com)