

PA17C42-DP(-PP) Data Sheet

40 pin DIP socket/44 pin PLCC plug

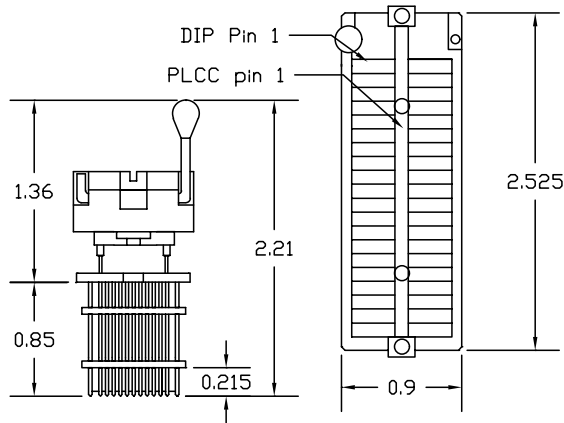
Supported Device/Footprints

The PA17C42-DP adapter accepts 40 pin DIP devices and plugs into 44 pin PLCC production sockets. This allows DIP devices, or emulators with DIP plugs, to be used during development of PLCC based products.

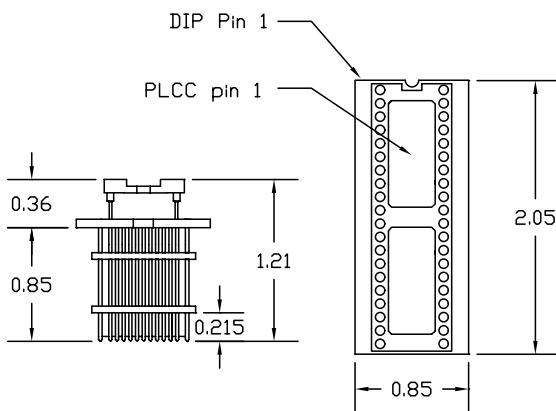
The PA17C42-DP-PP has a production socket only.

| Mfgr | Device | | Footprint | |
|-----------|-----------|---------|-----------|---------|
| | Device | Package | Device | Plug |
| Microchip | PIC17C42 | 40 DIP | PIC17C42 | 44 PLCC |
| " | PIC17C42A | " | PIC17C42A | " |
| " | PIC17C43 | " | PIC17C43 | " |
| " | PIC17C44 | " | PIC17C44 | " |

Adapter Dimensions



PA17C42-DP



PA17C42-DP-PP

Adapter Construction

The adapter is made up of 2 sub-assemblies. They assemble via connectors making the adapter modular. This way the sub-assemblies can be replaced when they wear out.

When disassembling the adapter take care not to bend the pins. When reassembling the adapter note the pin 1 indicators to align the parts correctly.

Test Socket

40 pin DIP test socket:

Aries Part #: 40-6554-11 LSC Part #: 40ADZ

P42-DP

Accepts the test socket and remaps the signals to the 44 PLCC plug.

Adapter Wiring

The following chart shows the connections from the DIP device to the adapter's PLCC plug.

| DIP | SIGNAL | PLCC | PLCC | SIGNAL | DIP |
|-----|------------|------|------|-----------|-----|
| 1 | Vdd | 1 | 44 | Vdd | 1 |
| N/C | - | 2 | 43 | RD0/AD8 | 40 |
| 2 | RC0/AD0 | 3 | 42 | RD1/AD9 | 39 |
| 3 | RC1/AD1 | 4 | 41 | RD2/AD10 | 38 |
| 4 | RC2/AD2 | 5 | 40 | RD3/AD11 | 37 |
| 5 | RC3/AD3 | 6 | 39 | RD4/AD12 | 36 |
| 6 | RC4/AD4 | 7 | 38 | RD5/AD13 | 35 |
| 7 | RC5/AD5 | 8 | 37 | RD6/AD14 | 34 |
| 8 | RC6/AD6 | 9 | 36 | RD7/AD15 | 33 |
| 9 | RC7/AD7 | 10 | 35 | MCLR/Vpp | 32 |
| 10 | Vss | 11 | 34 | Vss | 31 |
| 10 | Vss | 12 | 33 | Vss | 31 |
| 11 | RB0/CAP1 | 13 | 32 | RE0/ALE | 30 |
| 12 | RB1/CAP2 | 14 | 31 | RE1/OE | 29 |
| 13 | RB2/PWM1 | 15 | 30 | RE2/WR | 28 |
| 14 | RB3/PWM2 | 16 | 29 | TEST | 27 |
| 15 | RB4/TCLK12 | 17 | 28 | RA0/INT | 26 |
| 16 | RB5/TCLK3 | 18 | 27 | RA1/RT | 25 |
| 17 | RB6/RB7 | 19 | 26 | RA2 | 24 |
| 18 | OSC1 | 20 | 25 | RA3 | 23 |
| 19 | OSC2/CLKO | 21 | 24 | RA4/RX/DT | 22 |
| 20 | UT | 22 | 23 | RA5/TX/CK | 21 |

LOGICAL

Logical Systems Corporation
 PO Box 6184, Syracuse, NY 13217-6184 USA
 Tel (315) 478-0722, FAX (315) 479-6753
 S Y S T E M S www.logicals.com, Email: info@logicals.com

PA17C42-DP(-PP) Data Sheet
 Doc: 17C42-DP.DOC
 Rev 6/16/99
 Page 1 of 1