

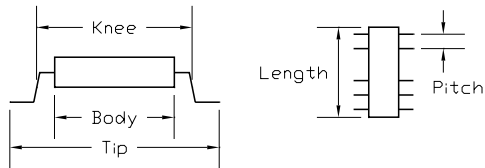
PAXXSO1-2006-3 or -6 Data Sheet

8-20 Pin SOP socket/8-20 Pin DIP 0.3" or 0.6" plug

Supported Device/Footprints

Using this adapter, many SOP packaged devices can be programmed on DIP programmers.

The SOP socket accepts packages with the dimensions listed below:



Body mm (inches)			Knee mm (inches)		
min.	typ.	max.	min.	typ.	max.
4.9 (0.193)	5.3 (0.209)	5.4 (0.213)	n/a	6.8 (0.268)	7.1 (0.279)
Tip mm (inches)			Body Length	Lead Pitch	
min.	typ.	max.	n/a	1.27 (0.50)	
7.65 (0.301)	7.8 (0.307)	n/a			

Adapter Construction

The adapter is made up of 2 sub-assemblies. They assemble via connectors making the adapter modular. This way the sub-assemblies can be replaced easily.

When disassembling the adapter take care not to bend the pins. When reassembling the adapter note the pin 1 indicators to align the parts correctly.

The following chart shows the various socket and board part numbers that make up these adapters.

Adapter	Socket	Board
PA8SO1-2006-3	8(20H)SD-06	FP8-06-3
PA8SO1-2006-6	8(20H)SD-06	FP8-06-6
PA14SO1-2006-3(6)	14(20H)SD-06	FP20-06-14-3(6)
PA16SO1-2006-3(6)	16(20H)SD-06	FP20-06-16-3(6)
PA18SO1-2006-3(6)	18(20H)SD-06	FP20-06-18-3(6)
PA20SO1-2006-3(6)	20SD-06	FP20-06-3(6)

Test Socket

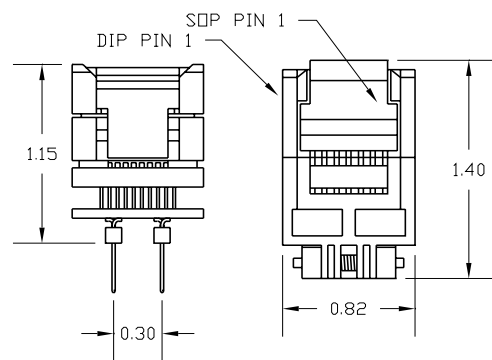
LSC #	Style	Mfgr/Pn
20SD-06	Lidded ZIF	Enplas FP-20-1.27-06
xx(20H)SD-06	Lidded ZIF	Enplas FP-xx(20H)-1.27-06

The 20 pin socket is depopulated for the lower pin counts. It is depopulated at the Pin 1 end. If you remove the socket be sure to replace it with the latch as shown in the picture.

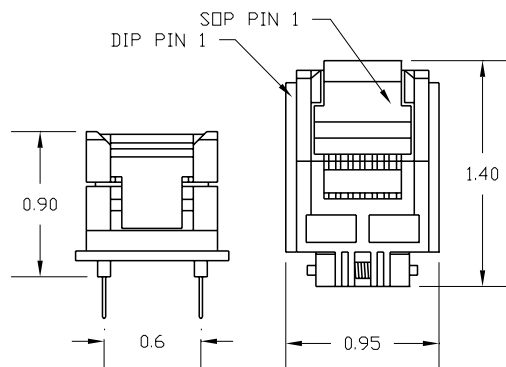
Circuit Board

The 14 through 20 pin adapters are built using the same circuit board: FP20-06. The board is depopulated at the Pin 1 end. The various part numbers for this board are listed in the part number chart above.

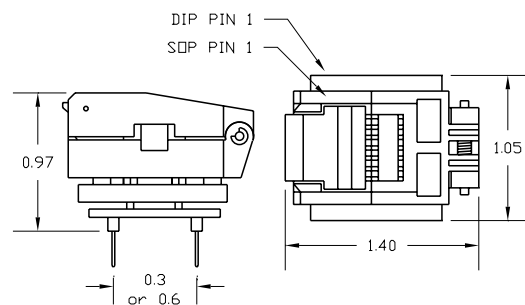
Adapter Dimensions



PA8SO1-2006-3



PA8SO1-2006-6



PAXXSO1-2006-3 or -6

Adapter Wiring

The adapter is wired 1-1. Pin 1 of the device connects to pin 1 of the DIP footprint, pin 2 to pin 2, and so on around the adapter.



Logical Systems Corporation
 PO Box 6184, Syracuse, NY 13217-6184 USA
 Tel (315) 478-0722, FAX (315) 479-6753
 www.logicalsyst.com, Email: info@logicalsyst.com

PAXXSO1-2006-3(6) Data Sheet
 Doc: 2006.DOC
 Rev: 10/05/00
 Page 1 of 1