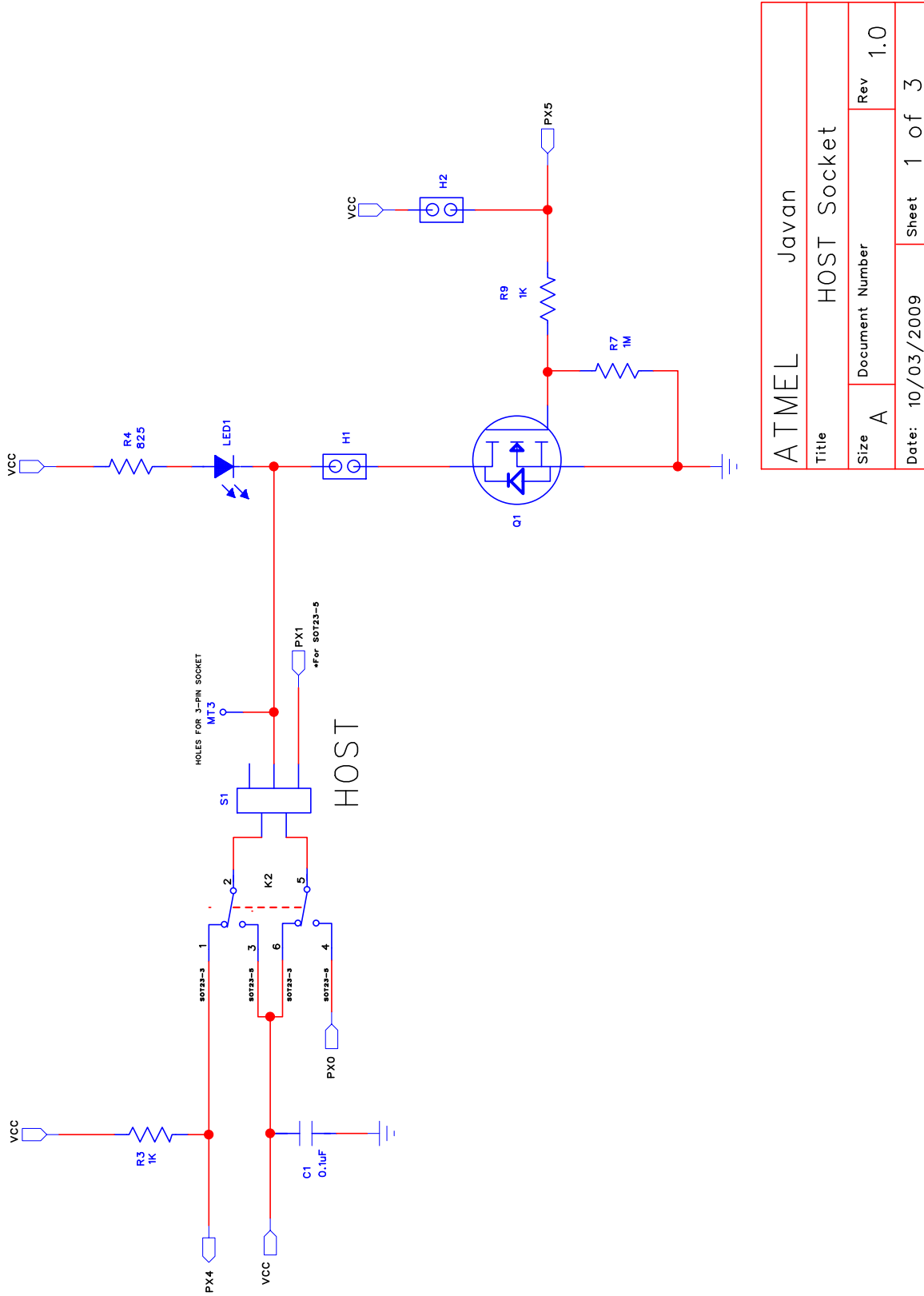
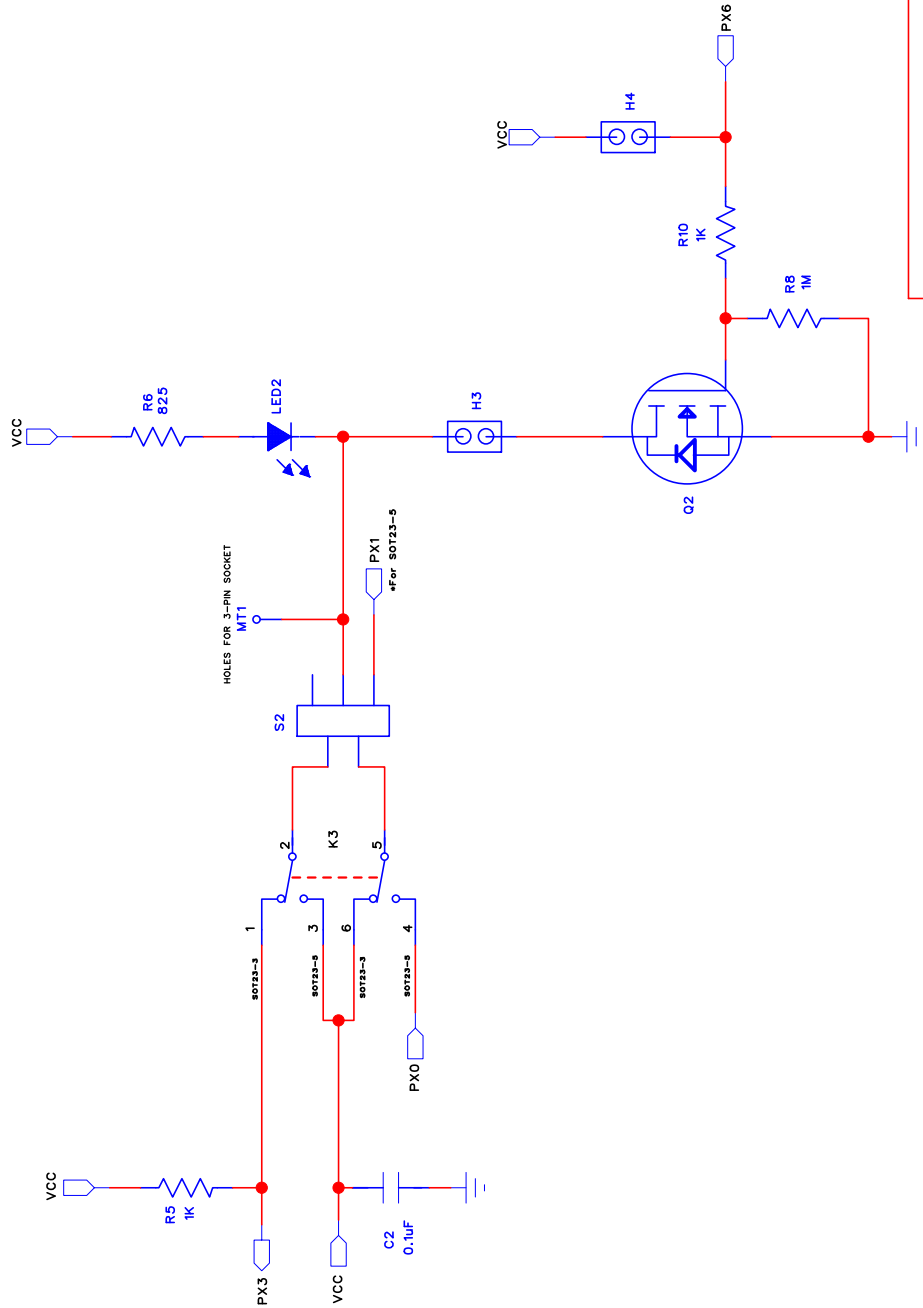


Figure 1. AT88CK109BK3 Schematic, 1 of 3



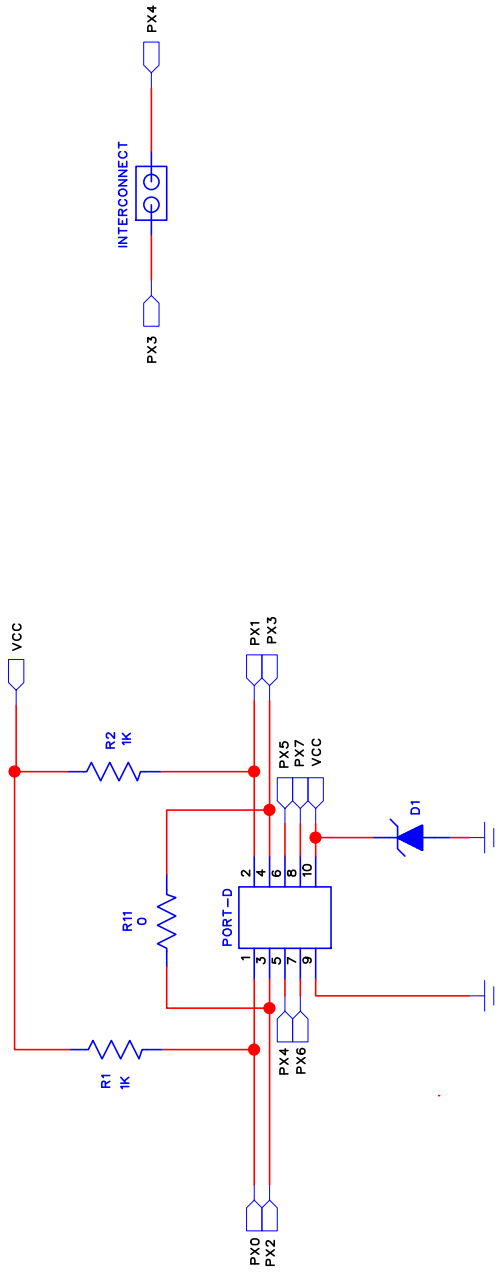
ATMEL Javan		
Title HOST Socket		
Size A	Document Number	Rev 1.0
Date: 10/03/2009	Sheet 1 of 3	

Figure 2. AT88CK109BK3 Schematic, 2 of 3



ATMEL		Javan	
Title CLIENT SOCKET			
Size A	Document Number	Rev	1.0
Date: 10/03/2009	Sheet	2 of 3	

Figure 3. AT88CK109BK3 Schematic, 3 of 3



ATMEL		Javan	
Title			
Connectors		Rev 1.0	
Size A	Document Number	Sheet 3 of 3	
Date: 10/03/2009			

Figure 4. AT88CK109BK3 Layout, Layer 1 of 2

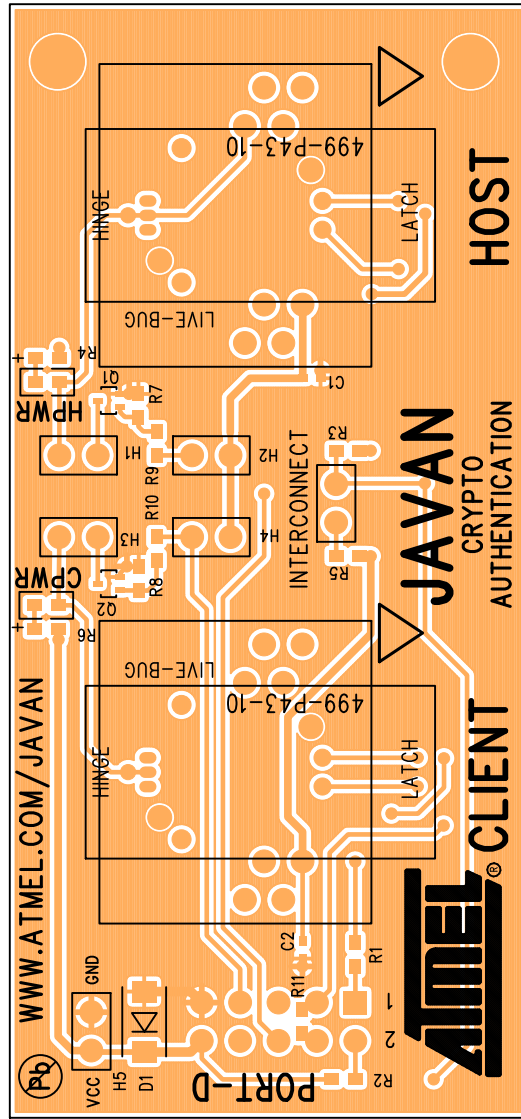


Figure 5. AT88CK109BK3 Layout, Layer 2 of 2

