

# PLCC Adapter for T89C51CC02

---

## User Guide







## **Table of Contents**

---

### **Section 1**

Introduction .....	1-1
1.1 T89C51CC02 Package .....	1-1
1.2 T89C51CC01 Package .....	1-2
1.3 Adapter .....	1-2
1.4 PLCC44 (Male)-PLCC28 (Female) .....	1-3
1.5 Ordering Information .....	1-3





# Section 1

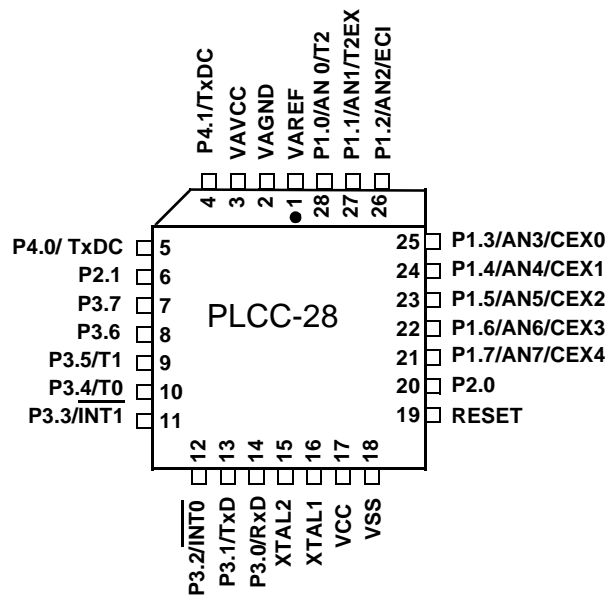
## Introduction

This document describes the adapter for the PLCC28 package of the T89C51CC02 microcontroller.

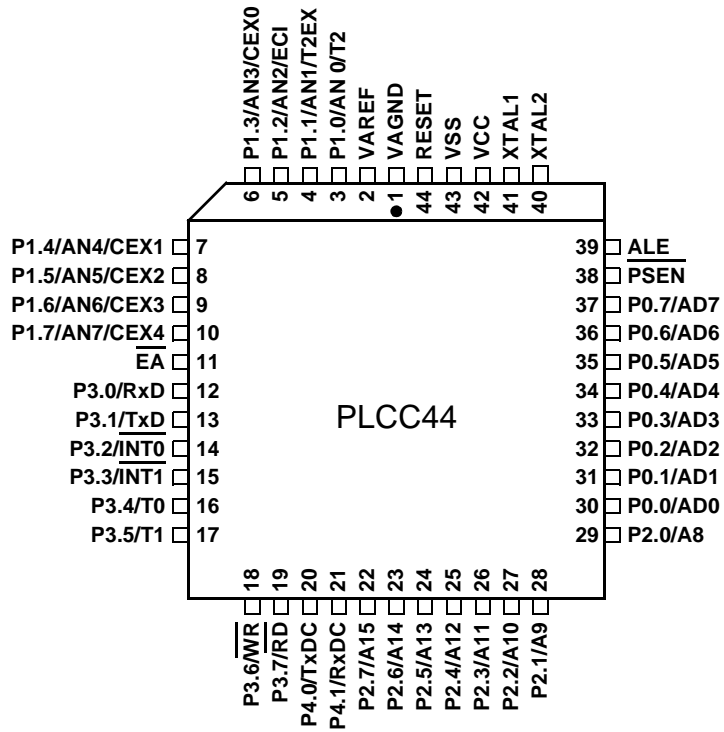
This adapter serves to plug a PLCC28 T89C51CC02 on a T89C51CC01 PLCC44 socket.

### 1.1 T89C51CC02 Package

Figure 1-1. PLCC 28-pin Package



## 1.2 T89C51CC01 Package

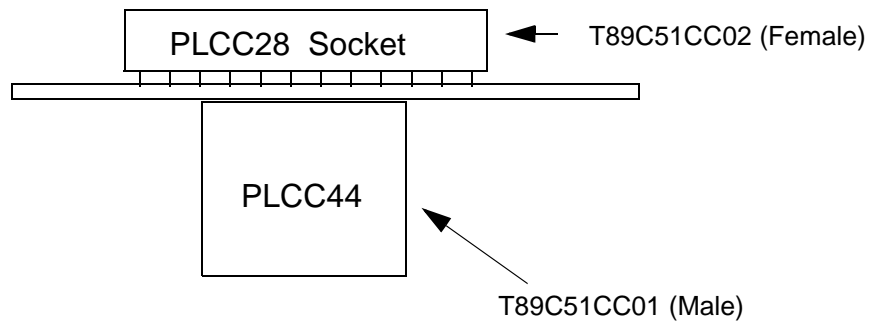


## 1.3 Adapter

PLCC44 Pin	PLCC28 Pin	Name	PLCC44 Pin	PLCC28 Pin	Name
1	2	VAGND	23	-	P2.6/A14
2	1	VAREF	24	-	P2.5/A13
3	28	P1.0/AN0/T2	25	-	P2.4/A12
4	27	P1.1/AN1/T2EX	26	-	P2.3/A11
5	26	P1.2/AN2/ECI	27	-	P2.2/A10
6	25	P1.3/AN3/CEX0	28	6	P2.1/A9
7	24	P1.4/AN4/CEX1	29	20	P2.0/A8
8	23	P1.5/AN5/CEX2	30	-	P0.0/AD0
9	22	P1.6/AN6/CEX3	31	-	P0.1/AD1
10	21	P1.7/AN7/CEX4	32	-	P0.2/AD2
11	-	EA	33	-	P0.3/AD3
12	14	P3.0/RxD	34	-	P0.4/AD4
13	13	P3.1/TxD	35	-	P0.5/AD5

PLCC44 Pin	PLCC28 Pin	Name	PLCC44 Pin	PLCC28 Pin	Name
14	12	P3.2/ $\overline{\text{INT0}}$	36	-	P0.6/AD6
15	11	P3.3/ $\overline{\text{INT1}}$	37	-	P0.7/AD7
16	10	P3.4/T0	38	-	PSEN
17	9	P3.5/T1	39	-	ALE
18	8	P3.6/ $\overline{\text{WR}}$	40	15	XTAL2
19	7	P3.7/ $\overline{\text{RD}}$	41	16	XTAL1
20	5	P4.0/TxDC	42	17, 3	VCC
21	4	P4.1/RxDC	43	18	VSS
22	-	P2.7/A15	44	19	RESET

#### 1.4 PLCC44 (Male)- PLCC28 (Female)



#### 1.5 Ordering Information

Part Number: CANADAPT28



## Atmel Headquarters

### **Corporate Headquarters**

2325 Orchard Parkway  
San Jose, CA 95131  
TEL 1(408) 441-0311  
FAX 1(408) 487-2600

### **Europe**

Atmel Sarl  
Route des Arsenaux 41  
Case Postale 80  
CH-1705 Fribourg  
Switzerland  
TEL (41) 26-426-5555  
FAX (41) 26-426-5500

### **Asia**

Room 1219  
Chinachem Golden Plaza  
77 Mody Road Tsimhatsui  
East Kowloon  
Hong Kong  
TEL (852) 2721-9778  
FAX (852) 2722-1369

### **Japan**

9F, Tonetsu Shinkawa Bldg.  
1-24-8 Shinkawa  
Chuo-ku, Tokyo 104-0033  
Japan  
TEL (81) 3-3523-3551  
FAX (81) 3-3523-7581

## Atmel Operations

### **Memory**

2325 Orchard Parkway  
San Jose, CA 95131  
TEL 1(408) 441-0311  
FAX 1(408) 436-4314

### **Microcontrollers**

2325 Orchard Parkway  
San Jose, CA 95131  
TEL 1(408) 441-0311  
FAX 1(408) 436-4314

La Chantrerie  
BP 70602  
44306 Nantes Cedex 3, France  
TEL (33) 2-40-18-18-18  
FAX (33) 2-40-18-19-60

### **ASIC/ASSP/Smart Cards**

Zone Industrielle  
13106 Rousset Cedex, France  
TEL (33) 4-42-53-60-00  
FAX (33) 4-42-53-60-01

1150 East Cheyenne Mtn. Blvd.  
Colorado Springs, CO 80906  
TEL 1(719) 576-3300  
FAX 1(719) 540-1759

Scottish Enterprise Technology Park  
Maxwell Building  
East Kilbride G75 0QR, Scotland  
TEL (44) 1355-803-000  
FAX (44) 1355-242-743

### **RF/Automotive**

Theresienstrasse 2  
Postfach 3535  
74025 Heilbronn, Germany  
TEL (49) 71-31-67-0  
FAX (49) 71-31-67-2340

1150 East Cheyenne Mtn. Blvd.  
Colorado Springs, CO 80906  
TEL 1(719) 576-3300  
FAX 1(719) 540-1759

### **Biometrics/Imaging/Hi-Rel MPU/ High Speed Converters/RF Datacom**

Avenue de Rochepleine  
BP 123  
38521 Saint-Egreve Cedex, France  
TEL (33) 4-76-58-30-00  
FAX (33) 4-76-58-34-80

---

### **e-mail**

literature@atmel.com

### **Web Site**

<http://www.atmel.com>

### **© Atmel Corporation 2003.**

Atmel Corporation makes no warranty for the use of its products, other than those expressly contained in the Company's standard warranty which is detailed in Atmel's Terms and Conditions located on the Company's web site. The Company assumes no responsibility for any errors which may appear in this document, reserves the right to change devices or specifications detailed herein at any time without notice, and does not make any commitment to update the information contained herein. No licenses to patents or other intellectual property of Atmel are granted by the Company in connection with the sale of Atmel products, expressly or by implication. Atmel's products are not authorized for use as critical components in life support devices or systems.

ATMEL<sup>®</sup> is a registered trademark of Atmel.

Other terms and product names may be the trademarks of others.



Printed on recycled paper.