

AE-ISP-MSP430



DIP28/BH16 specialized adapter for in system programming of TI MSP430 microcontrollers in JTAG modes.

Click the programmer model below to get an appropriate list of the devices supported by the adapter:

- [ChipProg+](#)
- [ChipProg-40](#)
- [ChipProg-48, ChipProg-G4](#)

Adapter Wiring Diagram:

DIP-28	BH-14	74AHC126	74AHC126	C1, 0.1uF
1,23	7	3		
2	3	6		
3	5	8		
4	1			
5,14	9	7	7,12,13	1
6		2		
7		1		
8		5		
9		14	14	2
10		9		
11		10		
12		12		
13		13		
15		4		

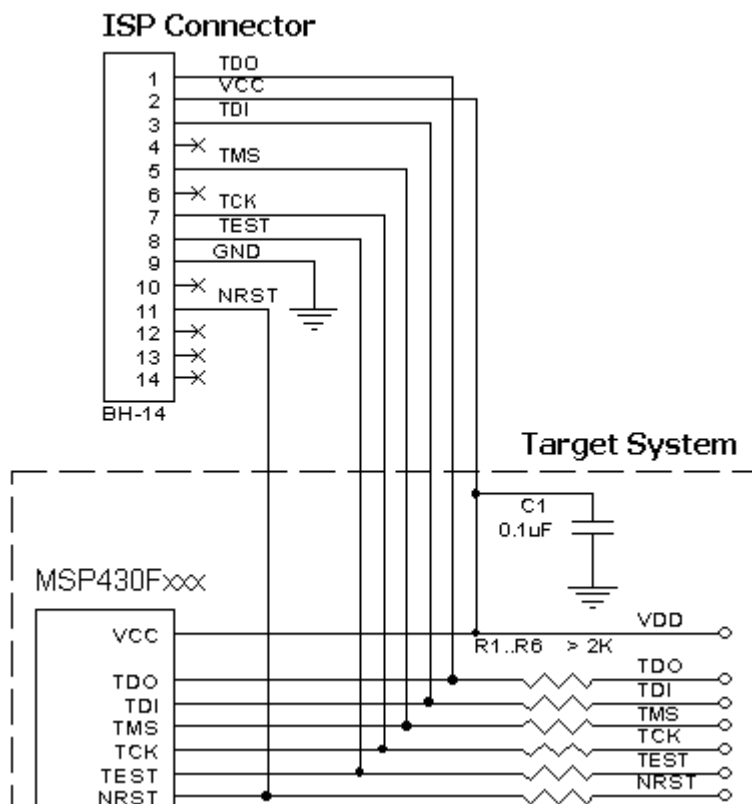
16			2	
17			1	
18			5	
19			4	
20			9	
21			10	
22				
24	11		3	
25	8			
26	6		6	
27	4		8	
28	2	11		

[AE-ISP-MSP430 connection for the Texas Instruments MSP430Fxxx devices in JTAG Mode](#)
[AE-ISP-MSP430 connection for the Texas Instruments MSP430Fxxx devices in SBW Mode](#)

AE-ISP-MSP430 connection for the Texas Instruments MSP430Fxxx devices in JTAG Mode

Click the programmer model below to get an appropriate list of the devices supported by the adapter:

- [ChipProg+](#)
- [ChipProg-40](#)
- [ChipProg-48, ChipProg-G4](#)



Powering the target device:

There are two alternative options for powering the targets:

1. The target gets power from the programmer (Vdd). This is possible only if the target does not consume too much energy. A capacity of the target power circuitry should not exceed 50 uF.

2. The target gets power from a built-in or external power supply. In this case the power output from the programmer should not be connected with the target. The target system should be tolerant to applying logical signals with the voltage levels exceeding the voltages on the target.

NOTE! It is strictly prohibited to power the target from both the programmer and built-in or external power supply simultaneously.

Isolating resistors:

Purpose of the R1..R6 resistors is to isolate the programmed chip from rest of target system. Recommended value of resistors R1..R6 is 2k or more. You can also use jumpers instead of the resistors.

ISP characteristics:

1. Programmer's output capability:
 - 1.1 Vcc - 80 mA;
 - 1.2 Vpp - 50 mA;
 - 1.3 logical pins - 5 mA.
2. The cable length should be less then one foot.

Table of connections of the adapter output socket to the device pins:

Adapter Output connector, BH-14	Target Device MSP430Fxxx
1	TDO
2	VCC
3	TDI
4	-
5	TMS
6	-
7	TCK
8	TEST*
9	GND
10	-
11	NRST
12	-
13	-
14	-

* - Some MSP430 devices do not have the TEST signal pin.

AE-ISP-MSP430 connection for the Texas Instruments MSP430Fxxx devices in SBW Mode

Click the programmer model below to get an appropriate list of the devices supported by the adapter:

- [ChipProg+](#)
- [ChipProg-40](#)
- [ChipProg-48, ChipProg-G4](#)

ISP Connector**Powering the target device:**

There are two alternative options for powering the targets:

1. The target gets power from the programmer (Vdd). This is possible only if the target does not consume too much energy. A capacity of the target power circuitry should not exceed 50 uF.
2. The target gets power from a built-in or external power supply. In this case the power output from the programmer should not be connected with the target. The target system should be tolerant to applying logical signals with the voltage levels exceeding the voltages on the target.

NOTE! It is strictly prohibited to power the target from both the programmer and built-in or external power supply simultaneously.

Isolating resistors:

Purpose of the R1,R2 resistors is to isolate the programmed chip from rest of target system.

Recommended value of resistors R1,R2 is 2k or more. You can also use jumpers instead of the resistors.

ISP characteristics:

1. Programmer's output capability:
 - 1.1 Vcc - 80 mA;
 - 1.2 Vpp - 50 mA;
 - 1.3 logical pins - 5 mA.
2. The cable length should be less then one foot.

Table of connections of the adapter output socket to the device pins:

Adapter Output connector, BH-14	Target Device MSP430F2xxx
1	-
2	VCC
3	-
4	-
5	-
6	-
7	-
8	TEST/SBWTCK
9	GND
10	-
11	RST/SBWTIO

12	-
13	-
14	-