

PA17C42-QD(-03 or -16) Data Sheet

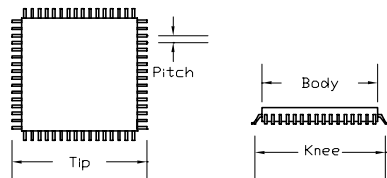
44 pin PQFP or TQFP socket/40 pin DIP 0.6" plug

Supported Device/Footprints

Using this adapter several Microchip devices in a 44 pin QFP package can be programmed on 40 pin DIP programmers.

Device			Footprint	
Mfgr	Device	Package	Device	Plug
Microchip	PIC17C42, 42A	44 QFP	Same	40 DIP
"	PIC17C43	"	"	"
"	PIC17C44	"	"	"

The QFP socket accepts packages with the dimensions listed below:



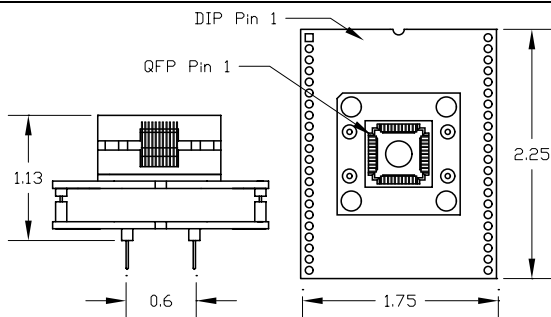
Socket	Body	Knee	Tip (lead span)	Pitch
44QF-03 PQFP	10.0 mm typ	11 mm typ 11.3 mm max	12 mm typ 12.8 mm max	0.8 mm
44QF-16 PQFP	10.0 mm typ	11.6 mm typ	13.2 mm typ	0.8 mm

Which adapter is correct for your package

There are several 44QFP packages. Some devices are available in more than one 44QFP package. Lookup the lead span for the package you will be using. Find the matching socket in the table above. Find the adapter that includes that socket in the Adapter Construction section.

Logical Systems maintains a device to adapter cross reference in our office and on our web site. Contact us or visit our web site to look up a manufacturer and device or package code.

Adapter Dimensions



PA17C42-QD-03

Adapter Construction

The adapter is made up of 3 sub-assemblies. They assemble via connectors making the adapter modular. This way the sub-assemblies can be replaced easily.

The following chart shows the various socket and board part numbers that make up these adapters.

Adapter	Socket	Top Board	Bottom Board
PA17C42-QD-03	44QF-03	44QFP-03	44-40-P42
PA17C42-QD-16	44QF-16	44QFP-16	44-40-P42

When disassembling the adapter take care not to bend the pins. When reassembling the adapter note the pin 1 indicators to align the parts correctly.

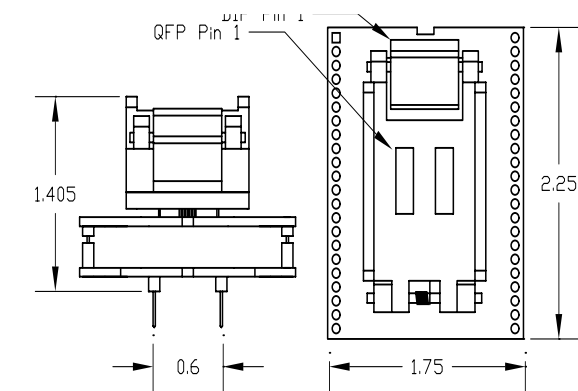
Test Sockets

LSC #	Style	Mfgr/Pn
44QF-03	Open Top ZIF	Enplas OTQ-44-0.8-03
44QF-16	Lidded ZIF	Enplas FPQ-44-0.8-16

Adapter Wiring

The following chart shows the connections from the QFP device to the adapter's DIP plug.

QFP	SIGNAL	DIP	DIP	SIGNAL	QFP
1	TEST	27	26	RA0/INT	44
2	RE2/WR	28	25	RA1/RT	43
3	RE1/OE	29	24	RA2	42
4	RE0/ALE	30	23	RA3	41
5	Vss	31	22	RA4/RX/DT	40
6	Vss	31	21	RA5/TX/CK	39
7	MCLR/Vpp	32	20	OSC2/CLKOUT	38
8	RD7/AD15	33	19	OSC1	37
9	RD6/AD14	34	18	RB7	36
10	RD5/AD13	35	17	RB6	35
11	RD4/AD12	36	16	RB5/TCLK3	34
12	RD3/AD11	37	15	RB4/TCLK12	33
13	RD2/AD10	38	14	RB3/PWM2	32
14	RD1/AD9	39	13	RB2/PWM1	31
15	RD0/AD8	40	12	RB1/CAP2	30
16	Vdd	1	11	RB0/CAP1	29
17	Vdd	1	10	Vss	28
18	-	NC	10	Vss	27
19	RC0/AD0	2	9	RC7/AD7	26
20	RC1/AD1	3	8	RC6/AD6	25
21	RC2/AD2	4	7	RC5/AD5	24
22	RC3/AD3	5	6	RC4/AD4	23



PA17C42-QD-16

LOGICAL
SYSTEMS

Logical Systems Corporation
PO Box 6184, Syracuse, NY 13217-6184 USA
Tel (315) 478-0722, FAX (315) 479-6753
www.logicalsys.com, Email: info@logicalsys.com

PA16C64-QD Data Sheet
Doc: 17C42-QD.DOC
Rev 03/31/04
Page 1 of 1