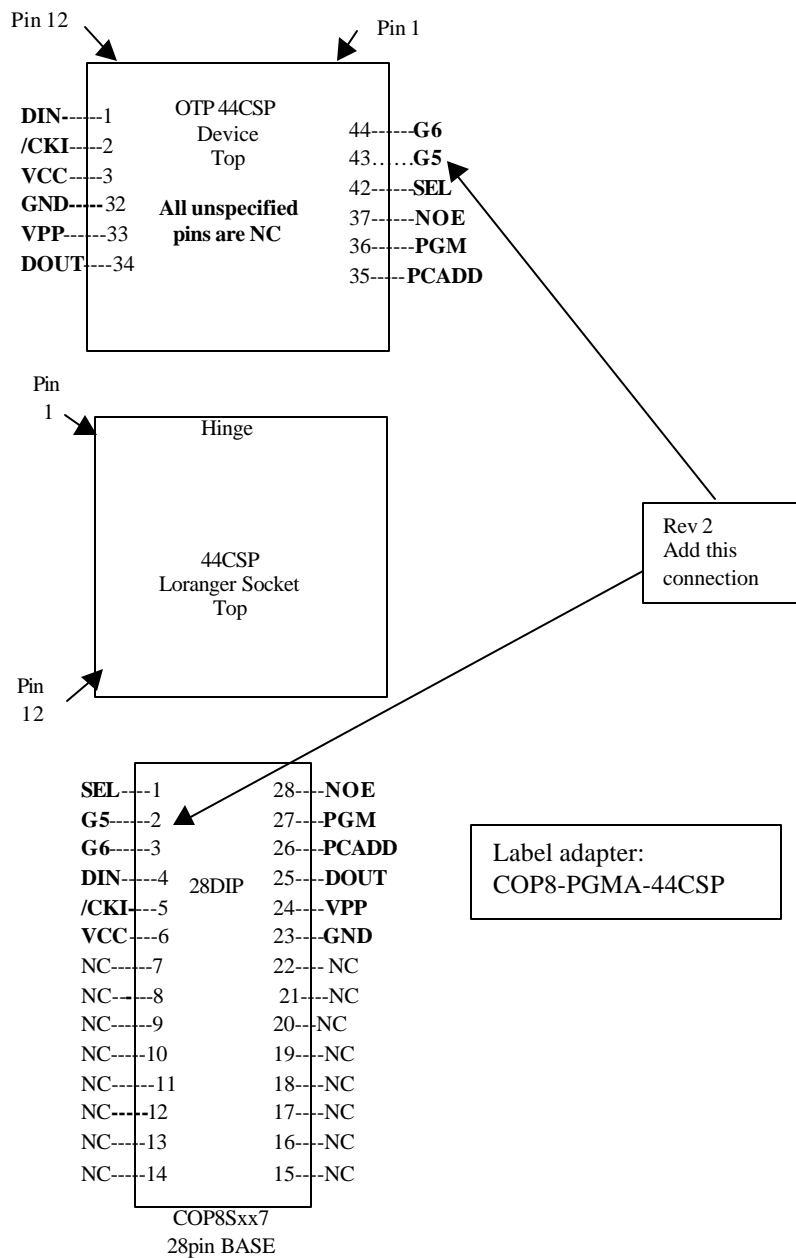


National Semiconductor  
AnalogMicroControllers Group

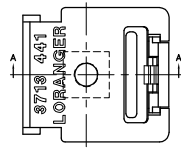
COP8-PGMA-44CSP  
Programming Adapter for COP8 OTP devices in 44CSP  
(COP8SAx7, COP8SGx7)  
Rev 2, 8/30/00

**NOTE: COP8 flash device 44CSP adapter is different: COP8-PGMA-44CSF**

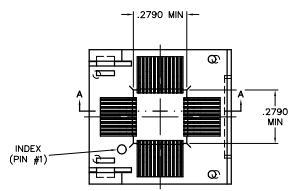
This adapter uses the same form-factor as the COP8-PGMA-28CSP, but with a 44pin socket instead. Only 12 pins are connected. Check the socket drawing for pin 1 location, which is different from the 28CSP socket.



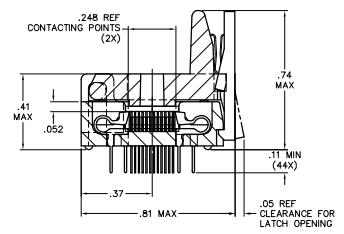
REVISION		
symbol	description	initial/date



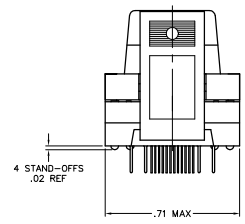
TOP VIEW COVER



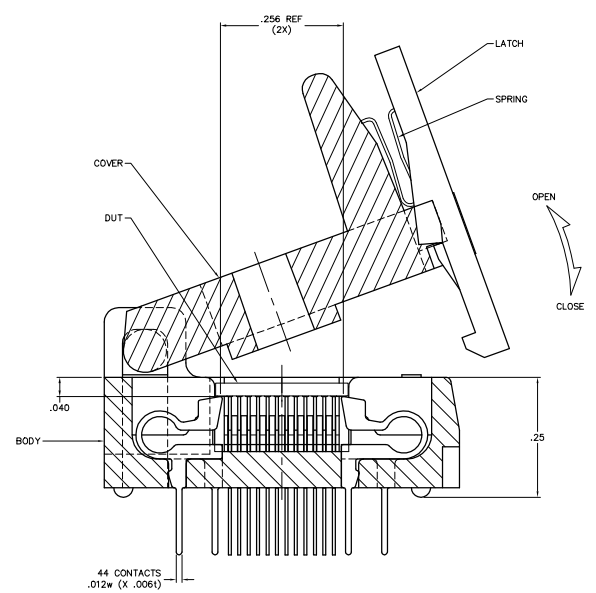
TOP VIEW WITH COVER REMOVED




SECTION "A"-A"  
(SOCKET CLOSED)

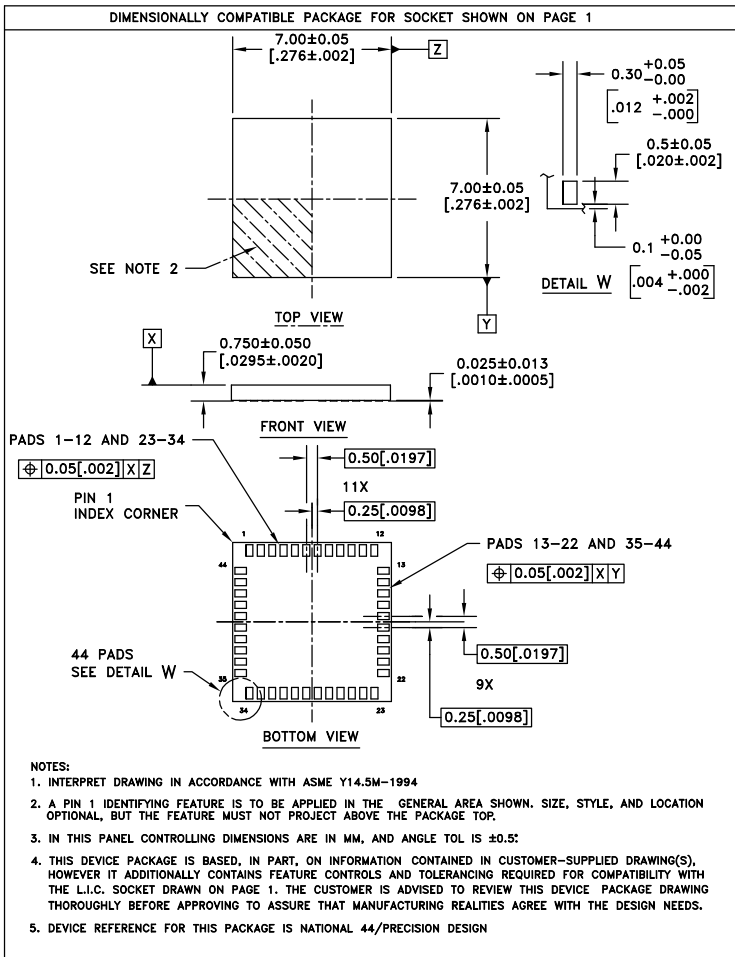


FRONT VIEW

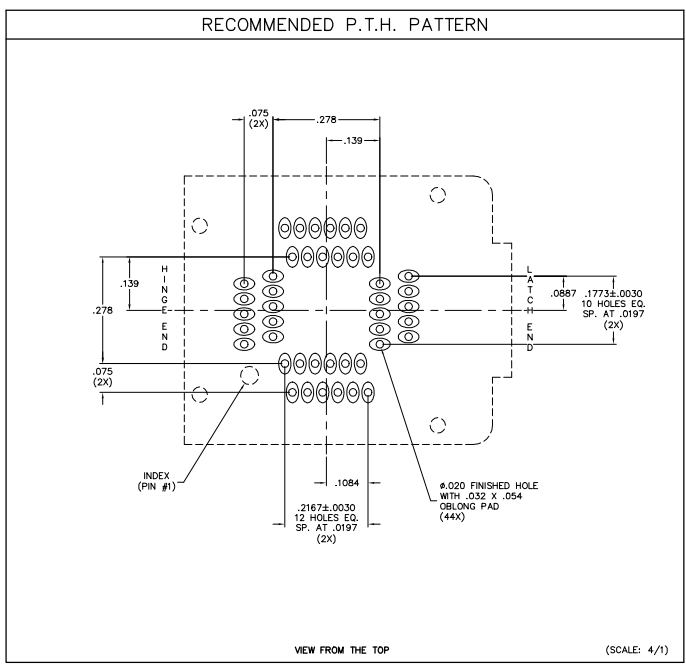


SECTION "A"-A"  
(SOCKET OPENING)  
(SCALE: 5/1)

 Warren, PA 16365		NOTICE Drawing is subject to change without notice and is L.I.C. proprietary in design and content. L.I.C. retains all patent rights and exclusive rights of use, manufacture and/or sale. Possession of this drawing does not convey permission to reproduce or manufacture articles. Permission shall only be granted in writing and must be signed by an officer of L.I.C.			
		Equipment where used 44 LEAD, 7 X 7mm, 0.5mm PITCH CSP	Part Description SOCKET	PROD. NO. 03713 441 6217	DWG. NO. 03713 441 6217
Tolerance In Inches .xx ± .01 fract. .xxx ± .005 ang ± 1/2° .xxxx ± .0010	SCALE 2/1	Orig. Release DRAFTED by/date SBR/1-25-00	CHECKED by/date ISSUE DATE	PAGE NO. 1 OF 2	FILE NO. 3713441



REVISION		
symbol	description	initial/date



<p>Warren, PA 16985</p>		<p>NOTICE</p> <p>Drawing is subject to change without notice and is L.I.C. proprietary in design and content. L.I.C. retains all patent rights and exclusive rights of use, manufacture and/or sale. Possession of this drawing does not convey permission to reproduce or manufacture articles. Permission shall only be granted in writing and must be signed by an officer of L.I.C.</p>				
		<p>Tolerance In Inches</p> <p>.xx ± .01 fract.</p> <p>.xxx ± .005 ang ± 1/2°</p> <p>.xxxx ± .0010</p>	<p>Equipment where used</p> <p>44 LEAD, 7 X 7mm, 0.5mm PITCH CSP</p>	<p>PROD. NO. 03713 441 6217</p>	<p>DWG. NO. 03713 441 6217</p>	
<p>SCALE NOTED</p>	<p>Orig. Release</p>	<p>DRAFTED by/date</p> <p>SBR/1-25-00</p>	<p>CHECKED by/date</p>	<p>ISSUE DATE</p>	<p>PAGE NO. 2 OF 2</p>	<p>FILE NO. 3713441</p>