

To our customers,

Old Company Name in Catalogs and Other Documents

On April 1st, 2010, NEC Electronics Corporation merged with Renesas Technology Corporation, and Renesas Electronics Corporation took over all the business of both companies. Therefore, although the old company name remains in this document, it is a valid Renesas Electronics document. We appreciate your understanding.

Renesas Electronics website: <http://www.renesas.com>

April 1st, 2010
Renesas Electronics Corporation

Issued by: Renesas Electronics Corporation (<http://www.renesas.com>)

Send any inquiries to <http://www.renesas.com/inquiry>.

Notice

1. All information included in this document is current as of the date this document is issued. Such information, however, is subject to change without any prior notice. Before purchasing or using any Renesas Electronics products listed herein, please confirm the latest product information with a Renesas Electronics sales office. Also, please pay regular and careful attention to additional and different information to be disclosed by Renesas Electronics such as that disclosed through our website.
2. Renesas Electronics does not assume any liability for infringement of patents, copyrights, or other intellectual property rights of third parties by or arising from the use of Renesas Electronics products or technical information described in this document. No license, express, implied or otherwise, is granted hereby under any patents, copyrights or other intellectual property rights of Renesas Electronics or others.
3. You should not alter, modify, copy, or otherwise misappropriate any Renesas Electronics product, whether in whole or in part.
4. Descriptions of circuits, software and other related information in this document are provided only to illustrate the operation of semiconductor products and application examples. You are fully responsible for the incorporation of these circuits, software, and information in the design of your equipment. Renesas Electronics assumes no responsibility for any losses incurred by you or third parties arising from the use of these circuits, software, or information.
5. When exporting the products or technology described in this document, you should comply with the applicable export control laws and regulations and follow the procedures required by such laws and regulations. You should not use Renesas Electronics products or the technology described in this document for any purpose relating to military applications or use by the military, including but not limited to the development of weapons of mass destruction. Renesas Electronics products and technology may not be used for or incorporated into any products or systems whose manufacture, use, or sale is prohibited under any applicable domestic or foreign laws or regulations.
6. Renesas Electronics has used reasonable care in preparing the information included in this document, but Renesas Electronics does not warrant that such information is error free. Renesas Electronics assumes no liability whatsoever for any damages incurred by you resulting from errors in or omissions from the information included herein.
7. Renesas Electronics products are classified according to the following three quality grades: “Standard”, “High Quality”, and “Specific”. The recommended applications for each Renesas Electronics product depends on the product’s quality grade, as indicated below. You must check the quality grade of each Renesas Electronics product before using it in a particular application. You may not use any Renesas Electronics product for any application categorized as “Specific” without the prior written consent of Renesas Electronics. Further, you may not use any Renesas Electronics product for any application for which it is not intended without the prior written consent of Renesas Electronics. Renesas Electronics shall not be in any way liable for any damages or losses incurred by you or third parties arising from the use of any Renesas Electronics product for an application categorized as “Specific” or for which the product is not intended where you have failed to obtain the prior written consent of Renesas Electronics. The quality grade of each Renesas Electronics product is “Standard” unless otherwise expressly specified in a Renesas Electronics data sheets or data books, etc.
 - “Standard”: Computers; office equipment; communications equipment; test and measurement equipment; audio and visual equipment; home electronic appliances; machine tools; personal electronic equipment; and industrial robots.
 - “High Quality”: Transportation equipment (automobiles, trains, ships, etc.); traffic control systems; anti-disaster systems; anti-crime systems; safety equipment; and medical equipment not specifically designed for life support.
 - “Specific”: Aircraft; aerospace equipment; submersible repeaters; nuclear reactor control systems; medical equipment or systems for life support (e.g. artificial life support devices or systems), surgical implantations, or healthcare intervention (e.g. excision, etc.), and any other applications or purposes that pose a direct threat to human life.
8. You should use the Renesas Electronics products described in this document within the range specified by Renesas Electronics, especially with respect to the maximum rating, operating supply voltage range, movement power voltage range, heat radiation characteristics, installation and other product characteristics. Renesas Electronics shall have no liability for malfunctions or damages arising out of the use of Renesas Electronics products beyond such specified ranges.
9. Although Renesas Electronics endeavors to improve the quality and reliability of its products, semiconductor products have specific characteristics such as the occurrence of failure at a certain rate and malfunctions under certain use conditions. Further, Renesas Electronics products are not subject to radiation resistance design. Please be sure to implement safety measures to guard them against the possibility of physical injury, and injury or damage caused by fire in the event of the failure of a Renesas Electronics product, such as safety design for hardware and software including but not limited to redundancy, fire control and malfunction prevention, appropriate treatment for aging degradation or any other appropriate measures. Because the evaluation of microcomputer software alone is very difficult, please evaluate the safety of the final products or system manufactured by you.
10. Please contact a Renesas Electronics sales office for details as to environmental matters such as the environmental compatibility of each Renesas Electronics product. Please use Renesas Electronics products in compliance with all applicable laws and regulations that regulate the inclusion or use of controlled substances, including without limitation, the EU RoHS Directive. Renesas Electronics assumes no liability for damages or losses occurring as a result of your noncompliance with applicable laws and regulations.
11. This document may not be reproduced or duplicated, in any form, in whole or in part, without prior written consent of Renesas Electronics.
12. Please contact a Renesas Electronics sales office if you have any questions regarding the information contained in this document or Renesas Electronics products, or if you have any other inquiries.

(Note 1) “Renesas Electronics” as used in this document means Renesas Electronics Corporation and also includes its majority-owned subsidiaries.

(Note 2) “Renesas Electronics product(s)” means any product developed or manufactured by or for Renesas Electronics.

M38K29T-ADF

User's Manual

Temporary Target Board for M38K09RFS and
M38K29RFS

Keep safety first in your circuit designs!

- Renesas Technology Corporation and Renesas Solutions Corporation put the maximum effort into making semiconductor products better and more reliable, but there is always the possibility that trouble may occur with them. Trouble with semiconductors may lead to personal injury, fire or property damage. Remember to give due consideration to safety when making your circuit designs, with appropriate measures such as (i) placement of substitutive, auxiliary circuits, (ii) use of nonflammable material or (iii) prevention against any malfunction or mishap.

Notes regarding these materials

- These materials are intended as a reference to assist our customers in the selection of the Renesas Technology product best suited to the customer's application; they do not convey any license under any intellectual property rights, or any other rights, belonging to Renesas Technology Corporation, Renesas Solutions Corporation or a third party.
- Renesas Technology Corporation and Renesas Solutions Corporation assume no responsibility for any damage, or infringement of any third-party's rights, originating in the use of any product data, diagrams, charts, programs, algorithms, or circuit application examples contained in these materials.
- All information contained in these materials, including product data, diagrams, charts, programs and algorithms represents information on products at the time of publication of these materials, and are subject to change by Renesas Technology Corporation and Renesas Solutions Corporation without notice due to product improvements or other reasons. It is therefore recommended that customers contact Renesas Technology Corporation, Renesas Solutions Corporation or an authorized Renesas Technology product distributor for the latest product information before purchasing a product listed herein. The information described here may contain technical inaccuracies or typographical errors. Renesas Technology Corporation and Renesas Solutions Corporation assume no responsibility for any damage, liability, or other loss arising from these inaccuracies or errors. Please also pay attention to information published by Renesas Technology Corporation and Renesas Solutions Corporation by various means, including the Renesas home page (<http://www.renesas.com>).
- When using any or all of the information contained in these materials, including product data, diagrams, charts, programs, and algorithms, please be sure to evaluate all information as a total system before making a final decision on the applicability of the information and products. Renesas Technology Corporation and Renesas Solutions Corporation assume no responsibility for any damage, liability or other loss resulting from the information contained herein.
- Renesas Technology semiconductors are not designed or manufactured for use in a device or system that is used under circumstances in which human life is potentially at stake. Please contact Renesas Technology Corporation, Renesas Solutions Corporation or an authorized Renesas Technology product distributor when considering the use of a product contained herein for any specific purposes, such as apparatus or systems for transportation, vehicular, medical, aerospace, nuclear, or undersea repeater use.
- The prior written approval of Renesas Technology Corporation and Renesas Solutions Corporation is necessary to reprint or reproduce in whole or in part these materials.
- If these products or technologies are subject to the Japanese export control restrictions, they must be exported under a license from the Japanese government and cannot be imported into a country other than the approved destination. Any diversion or reexport contrary to the export control laws and regulations of Japan and/or the country of destination is prohibited.
- Please contact Renesas Technology Corporation or Renesas Solutions Corporation for further details on these materials or the products contained therein.

Precautions to be taken when using this product

- This product is a development supporting unit for use in your program development and evaluation stages. In mass-producing your program you have finished developing, be sure to make a judgment on your own risk that it can be put to practical use by performing integration test, evaluation, or some experiment else.
- In no event shall Renesas Solutions Corporation be liable for any consequence arising from the use of this product.
- Renesas Solutions Corporation strives to renovate or provide a workaround for product malfunction at some charge or without charge. However, this does not necessarily mean that Renesas Solutions Corporation guarantees the renovation or the provision under any circumstances.
- This product has been developed by assuming its use for program development and evaluation in laboratories. Therefore, it does not fall under the application of Electrical Appliance and Material Safety Law and protection against electromagnetic interference when used in Japan.

For inquiries about the contents of this document or product, fill in the text file the installer of the emulator debugger generates in the following directory and email to your local distributor.

\\SUPPORT\Product-name\SUPPORT.TXT

Renesas Tools Homepage <http://www.renesas.com/en/tools>

Contents

1. Things to Check When Unpacking	4
2. Outline	4
3. Specifications	4
4. Setup	5
5. Oscillator Circuit	8
6. Reset Circuit	9
7. USB Port Circuit	10
8. Pin Layout	12

1. Things to Check When Unpacking

The M38K29T-ADF package consists of the following products. When unpacking it, check to see that all of these components are included.

Table 1.1 Package components

Item	Quantity
Temporary target board M38K29T-ADF	1
USB connectors UBA-4R-D10T-1 for downstream ports (made by JST)	2
USB connector UBB-4R-D10T-1 for upstream ports (made by JST)	1
M38K29T-ADF User's manual (English)	1
M38K29T-ADF User's manual (Japanese)	1

* If you find any item missing or faulty, or any suggestion, contact your local distributor.

2. Outline

This product is a temporary target board used to develop software with a PC4701 emulator system. It supplies to the M38K09RFS and M38K29RFS MCU the minimum required signals needed to operate the emulator MCU, including power supply voltage, clock signals and reset signals. And also, it has USB connectors on-board for simplified evaluation of USB-related functions. Use it when a target system is not ready.

3. Specifications

Table 3.1 lists the specifications of the M38K29T-ADF.

Table 3.1 Specifications of the M38K29T-ADF

Applicable MCU	M38K09RFS, M38K29RFS
Clock	6.0MHz oscillator mounted
Power supply voltage	3.0 V to 5.25 V (supplied separately*)
RESET	<ul style="list-style-type: none">• Reset circuit mounted (power-on reset and reset switch)• Reset output of an emulation pod connected
External dimensions	Width: 90 mm, Depth: 115 mm
Others	<ul style="list-style-type: none">• Universal part prepared• Patterns for installing USB connectors prepared

* Because power cannot be supplied from an emulation pod for the PC4701 (e.g. M38000TL2-FPD), prepare an external power supply.

4. Setup

This chapter describes how to set up the M38K29T-ADF.

CAUTION

Note on Setup:

- Always shut OFF power before connecting this product. Otherwise, internal circuits may be damaged.

(1) Mount the emulator MCU on the M38K29T-ADF.

After checking the position of the No. 1 pin of the emulator MCU, mount the emulator MCU referencing Figure 4.1.

(2) Insert the connector on the tip of the emulation pod probe to the socket on the emulator MCU.

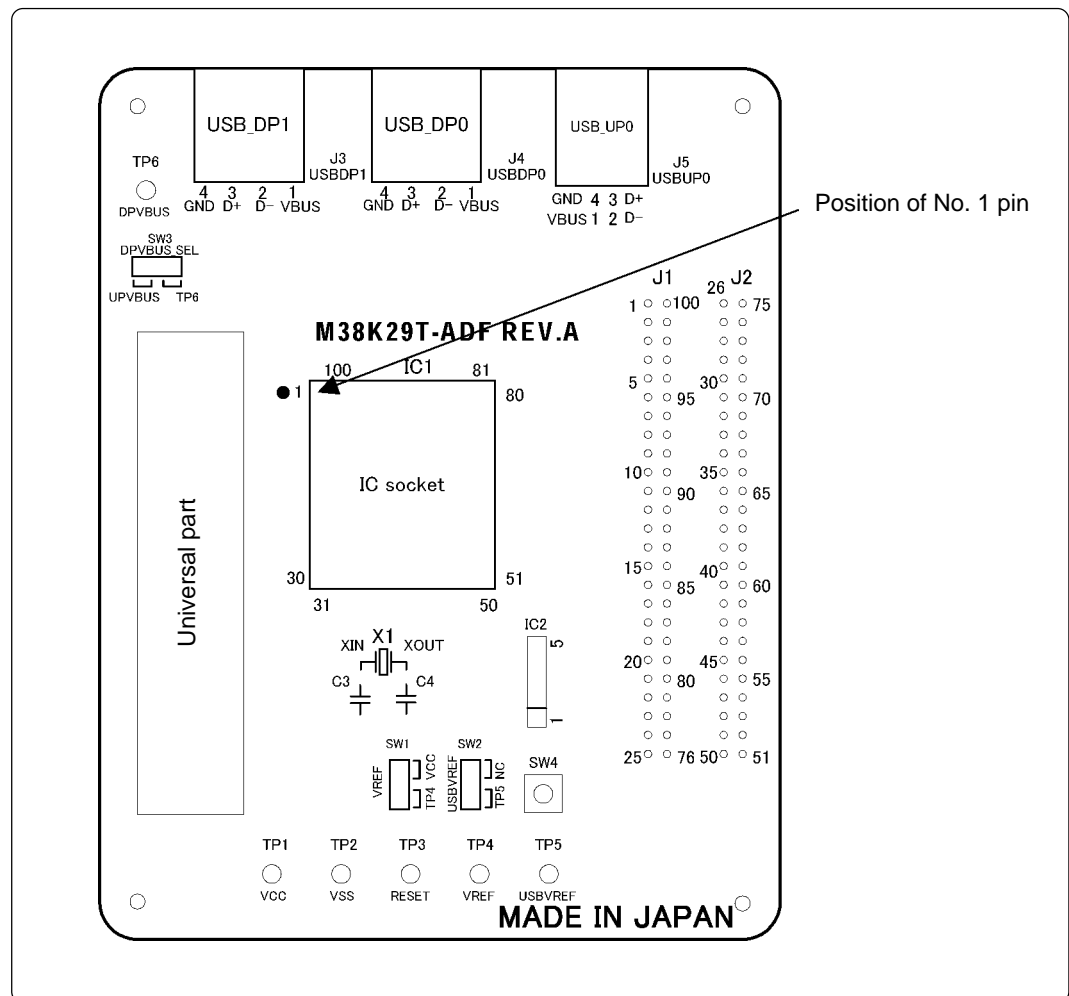


Figure 4.1 Position of No. 1 pin of the M38K29T-ADF's emulator MCU

- (3) Connect the RESET cable (white) and the GND cable (black) of the emulation pod to pin RESET (TP3) and pin Vss (TP2) of the M38K29T-ADF respectively. Leave the Vcc cable (yellow) unconnected.
- (4) Set the MCU type select switch of the M38000TL2-FPD to the RSS/RFS side.
- (5) Connect an external power supply to pin Vcc (TP1) of the M38K29T-ADF. And connect the GND output of the power supply to pin Vss (TP2). Use a power supply whose rising time is 10 ms or less.

Table 4.1 lists the correspondence of the connector cables and signals, and Figure 4.2 shows connecting the cables to the M38K29T-ADF.

Table 4.1 Connector cables of the M38000TL2-FPD and applicable signals

Cable color	Signal
White	RESET
Black	Vss
Yellow	No connection

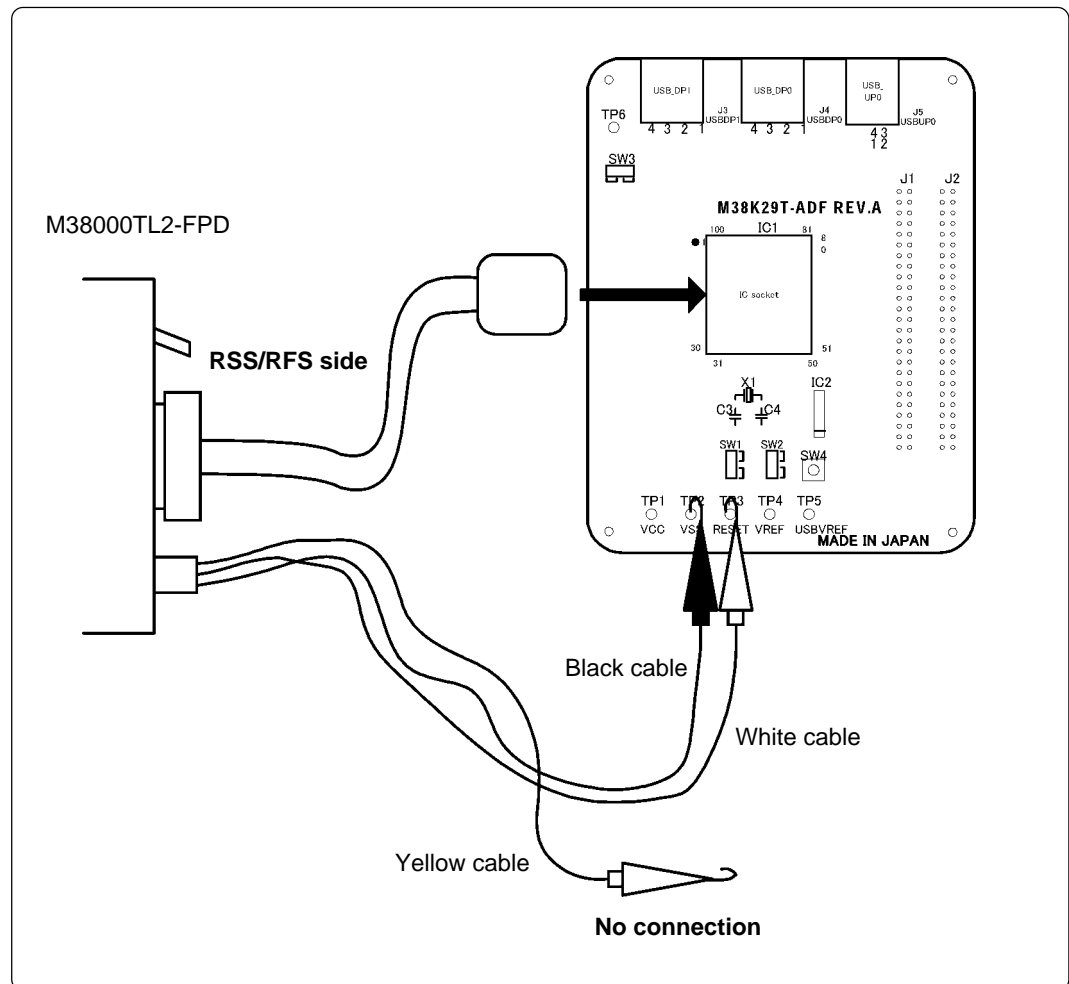


Figure 4.2 Connecting the cables to the M38K29T-ADF

(6) Set switches SW1 to SW3 according to your application. Table 4.2 describes the functions of the switches.

Table 4.2 Functions of switches SW1, SW2 and SW3 of the M38K29T-ADF

No.	Name	Function	Factory-setting
SW1	VREF	Allows you to choose whether to apply Vcc or an external power supply to the MCU's pin VREF (43-pin). For the M38K09RFS and M38K29RFS, set this switch to the Vcc side.	Vcc
SW2	USBVREF	Allows you to choose whether to apply an external power supply to the MCU's pin USBVREF (64-pin). When the operating voltage of the MCU (Vcc) is between 4.0 and 5.25 V, set switch SW2 to the NC side. When the operating voltage of the MCU (Vcc) is less than 4.0 V, set switch SW2 to the TP5 side and apply a voltage (3.0 to 3.6 V) to the TP5 (USBVREF).	NC
SW3	DPVBUS_SEL	Allows you to choose whether to apply an external power supply or the VBUS of upstream to the VBUS of USB downstream. To use an external power supply, set switch SW3 to the TP6 side and apply 5 V to the TP6 (DPVBUS). To supply the VBUS of upstream, set switch SW3 to the UPVBUS side. When the VBUS of upstream is supplied, the VBUS of upstream is connected to the VBUS of downstream. Therefore, do not apply a voltage to the TP6 (DPVBUS).	TP6

5. Oscillator Circuit

The M38K29T-ADF has a 6.0MHz oscillator on-board. Figure 5.1 shows a circuit diagram of the oscillator. When replacing the oscillator, the constants depend on an oscillator you use. It is advisable to refer to the values recommended by the manufacturers.

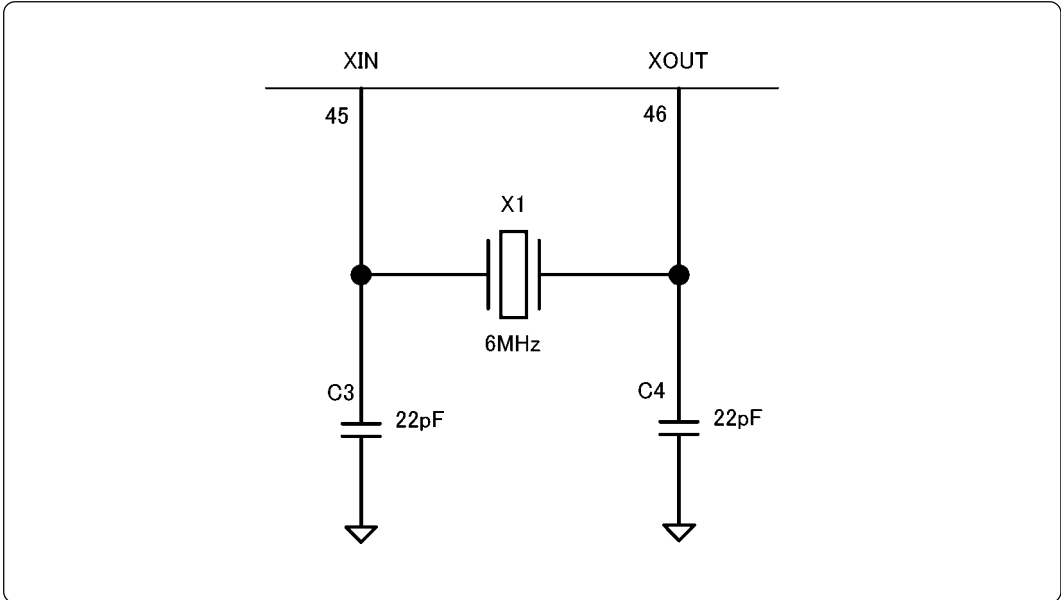


Figure 5.1 Circuit diagram of the oscillator

6. Reset Circuit

Figure 6.1 shows the reset circuit and its waveform. In this product, reset is cleared in about 100 ms from the instant V_{cc} passes about 2.1 V after having started from 0 V. When V_{cc} drops down to about 2.1 V, reset turns effective.

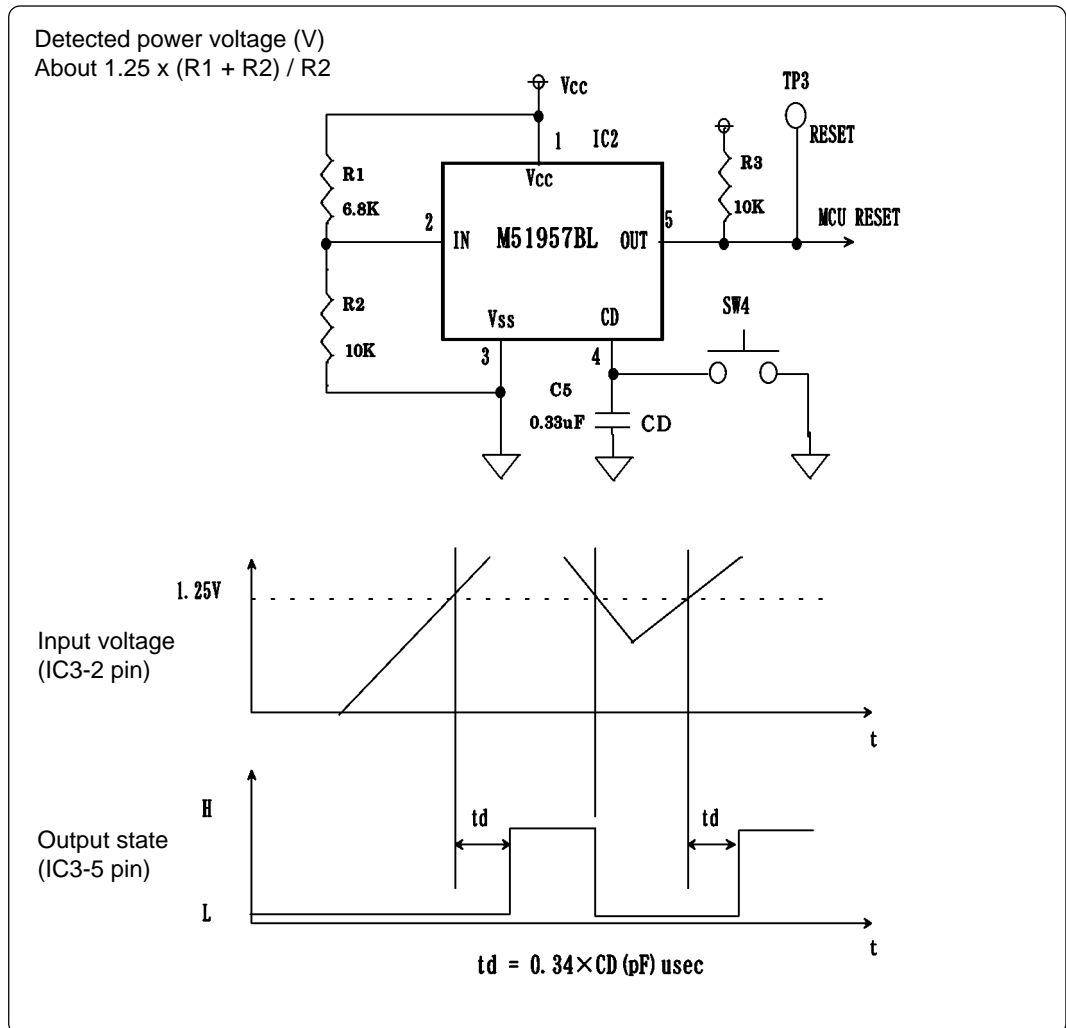


Figure 6.1 Reset circuit and its waveform

By using switch SW4, you can reset the MCU manually.

Table 6.1 Function of switch SW4 (reset switch)

No.	Name	Function
SW4	RESET	This is the reset switch. Press down this switch to reset the MCU.

7. USB Port Circuit

The M38K29T-ADF has some patterns for simplified evaluation of USB-related functions.

Figure 7.1 shows a USB port circuit diagram. This diagram is a summarized version for reference purposes. Therefore, to design your circuit, see USB specifications or reference materials about 38K0 and 38K2 Group circuits.

When the M38K29T-ADF is shipped from the factory, USB-related parts are not mounted. Mount them as necessary. And, though the USB connectors are included with this product, resistors are not included. Get them separately.

(1) USB Reference Power Supply (USBVREF)

If you make an MCU operate at $4.0 \leq V_{cc} \leq 5.25$ V, use the internal USB reference power supply source of the MCU. To use it, set switch SW2 to the NC side.

If you make an MCU operate at $3.0 \leq V_{cc} < 4.0$ V, you cannot use the internal USB reference power supply source of the MCU. Set switch SW2 to the TP5 side and apply a voltage between 3.0 and 3.6 V to TP5.

(2) USB Reference Voltage Output (TrON)

This is the pullup voltage output pin for the USB up-port. The M38K29T-ADF has the pattern for mounting a resistor for pulling up the D0+ pin. Use a 1.5k Ω resistor at R4.

(3) USB Upstream I/O (D0+/D0-)

Pins D+/D- represent the USB upstream signal pair D+ and D-. These signals have the patterns for mounting a USB connector and resistors for impedance-matching. To do so, use resistors for impedance matching at R5 and R6, and mount connector UBB-4R-D10T-1 included with this product (made by JST) for USB upstream at J5.

(4) USB Downstream I/O (D1-/D1+ and D2-/D2+)

Pins D+/D- represent the USB downstream signal pair D+ and D-. For these signals, the M38K29T-ADF has the patterns for mounting resistors for impedance-matching and pulldown resistors. To do so, use resistors for impedance matching at R7, R8, R11 and R12, use pulldown resistors at R9, R10, R13 and R14, and mount the UBA-4R-D10T-1 connectors included with this product (made by JST) for USB downstream at J3 and J4.

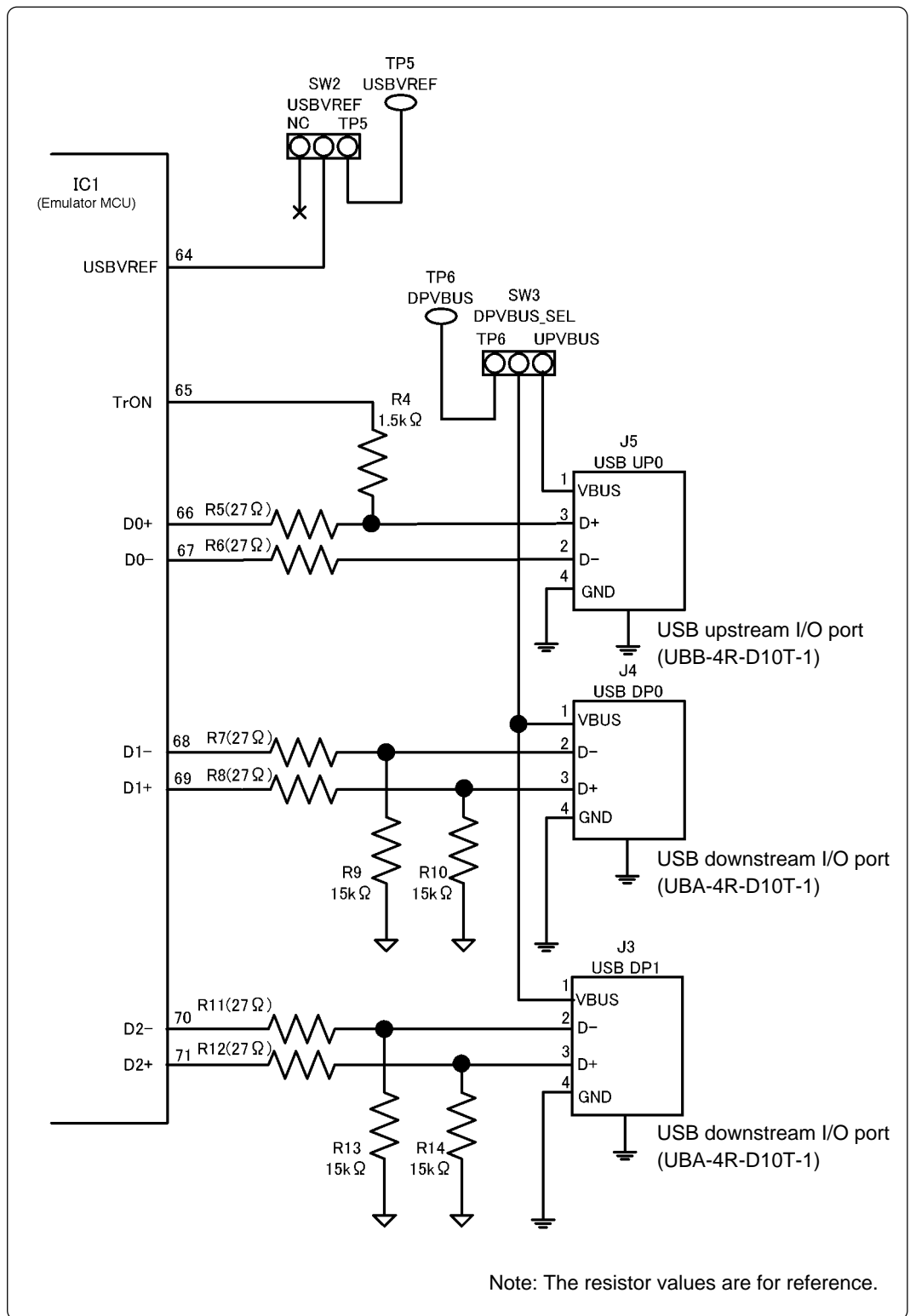


Figure 7.1 USB port circuit diagram

8. Pin Layout

Figure 8.1 shows the pin layout of the M38K29T-ADF.

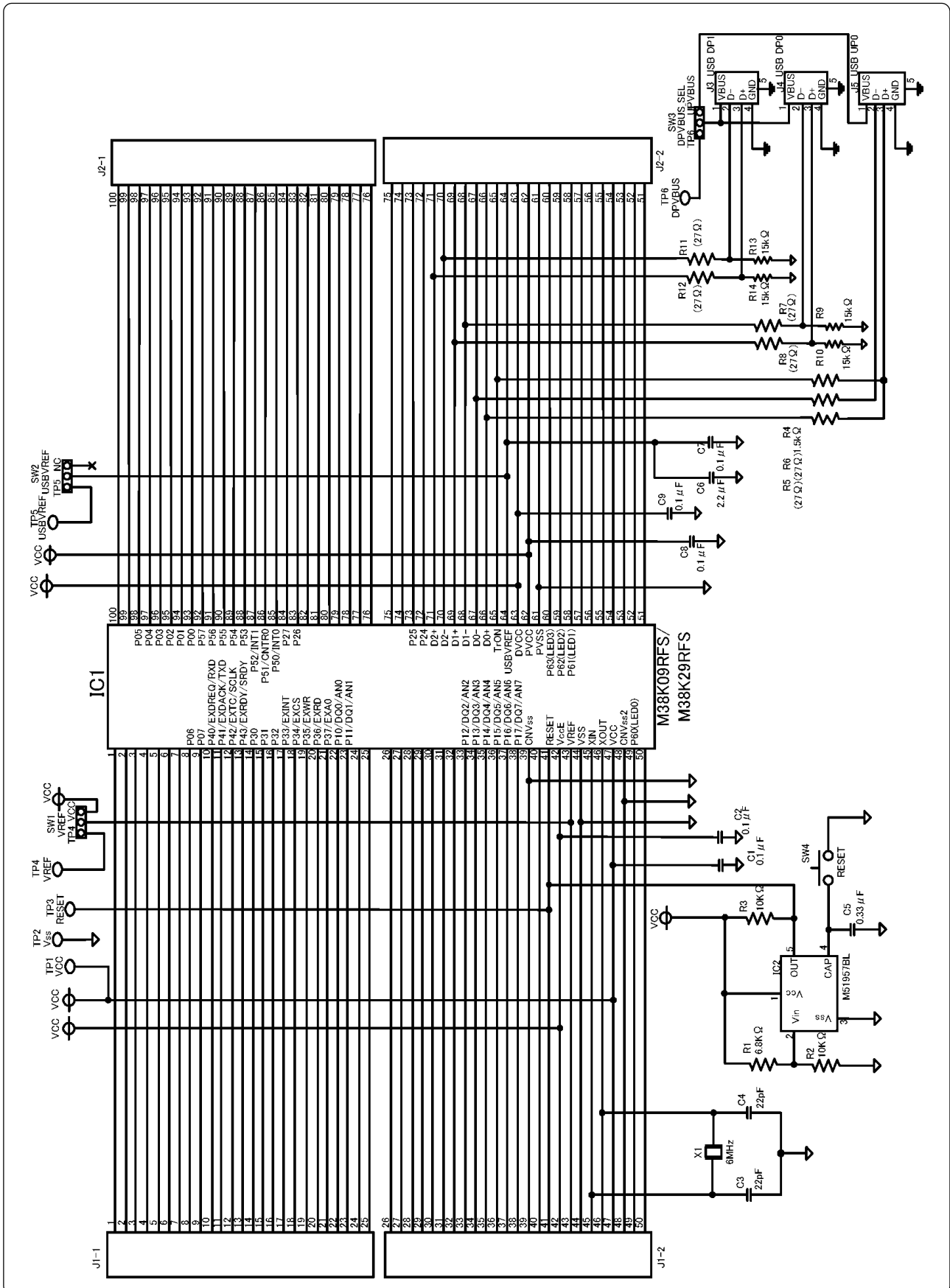


Figure 8.1 Pin layout of the M38K29T-ADF

M38K29T-ADF User's Manual

Rev.1.00
September 1, 2003
REJ10J0341-0100Z

COPYRIGHT ©2003 RENESAS TECHNOLOGY CORPORATION
AND RENESAS SOLUTIONS CORPORATION ALL RIGHTS RESERVED

M38K29T-ADF User's Manual



Renesas Electronics Corporation

1753, Shimonumabe, Nakahara-ku, Kawasaki-shi, Kanagawa 211-8668 Japan

REJ10J0341-0100Z